



US00D518436S

(12) **United States Design Patent**  
**Kurasaki**

(10) **Patent No.:** **US D518,436 S**

(45) **Date of Patent:** **\*\* Apr. 4, 2006**

(54) **CONNECTOR FOR PRINTED CIRCUIT  
BOARDS**

D464,321 S \* 10/2002 Chen ..... D13/147  
D464,625 S \* 10/2002 Chen ..... D13/147  
D498,730 S \* 11/2004 Watanabe et al. .... D13/133

(75) Inventor: **Naoki Kurasaki**, Osaka (JP)

\* cited by examiner

(73) Assignee: **J.S.T. Mfg. Co., Ltd.**, Osaka (JP)

*Primary Examiner*—Stella Reid

(\*\*) Term: **14 Years**

*Assistant Examiner*—Daniel Bui

(21) Appl. No.: **29/208,388**

(74) *Attorney, Agent, or Firm*—Jordan and Hamburg LLP

(22) Filed: **Jun. 28, 2004**

(30) **Foreign Application Priority Data**

Dec. 29, 2003 (JP) ..... 2003-39250

(51) **LOC (8) Cl.** ..... **13-03**

(52) **U.S. Cl.** ..... **D13/133**

(58) **Field of Classification Search** ..... D13/133,  
D13/146, 147, 184, 199; 439/350, 352, 353,  
439/354, 357, 358, 752

See application file for complete search history.

(56) **References Cited**

**U.S. PATENT DOCUMENTS**

5,813,877 A \* 9/1998 Nakamura ..... 439/267  
D432,498 S \* 10/2000 Kuroda ..... D13/133  
D462,053 S \* 8/2002 Kuroda et al. .... D13/133  
D463,375 S \* 9/2002 Nakayama ..... D13/147

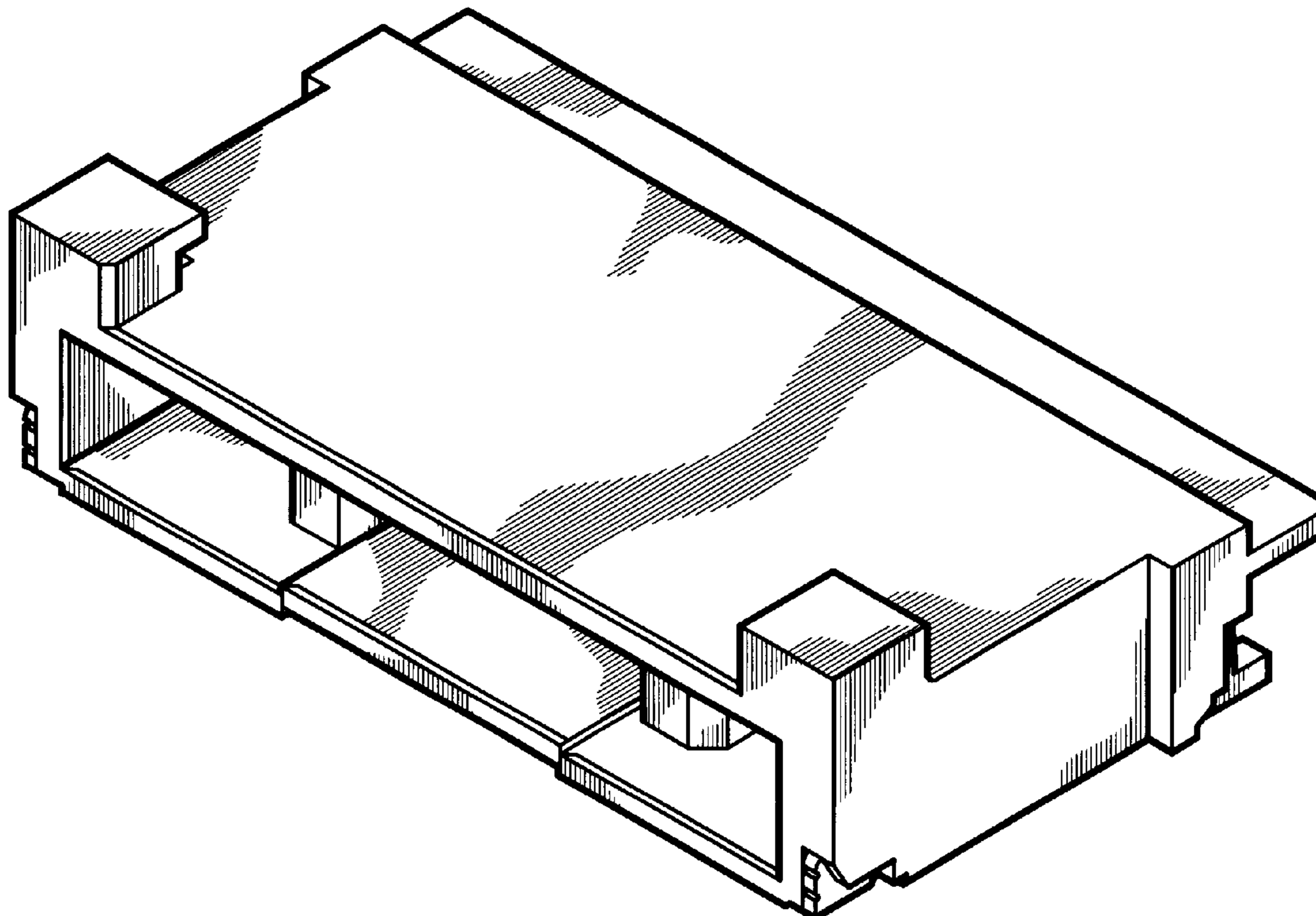
(57) **CLAIM**

The ornamental design for connector for printed circuit boards, as shown and described.

**DESCRIPTION**

FIG. 1 is a front elevational view of a connector for printed circuit boards showing my new design;  
FIG. 2 is a rear elevational view thereof;  
FIG. 3 is a right side elevational view thereof, the left side elevational view being a mirror image of that shown;  
FIG. 4 is a top plan view thereof;  
FIG. 5 is a bottom plan view thereof;  
FIG. 6 is a sectional view thereof taken along the line 6—6 in FIG. 1;  
FIG. 7 is a sectional view thereof taken along the line 7—7 in FIG. 3; and,  
FIG. 8 is a perspective view thereof.

**1 Claim, 3 Drawing Sheets**



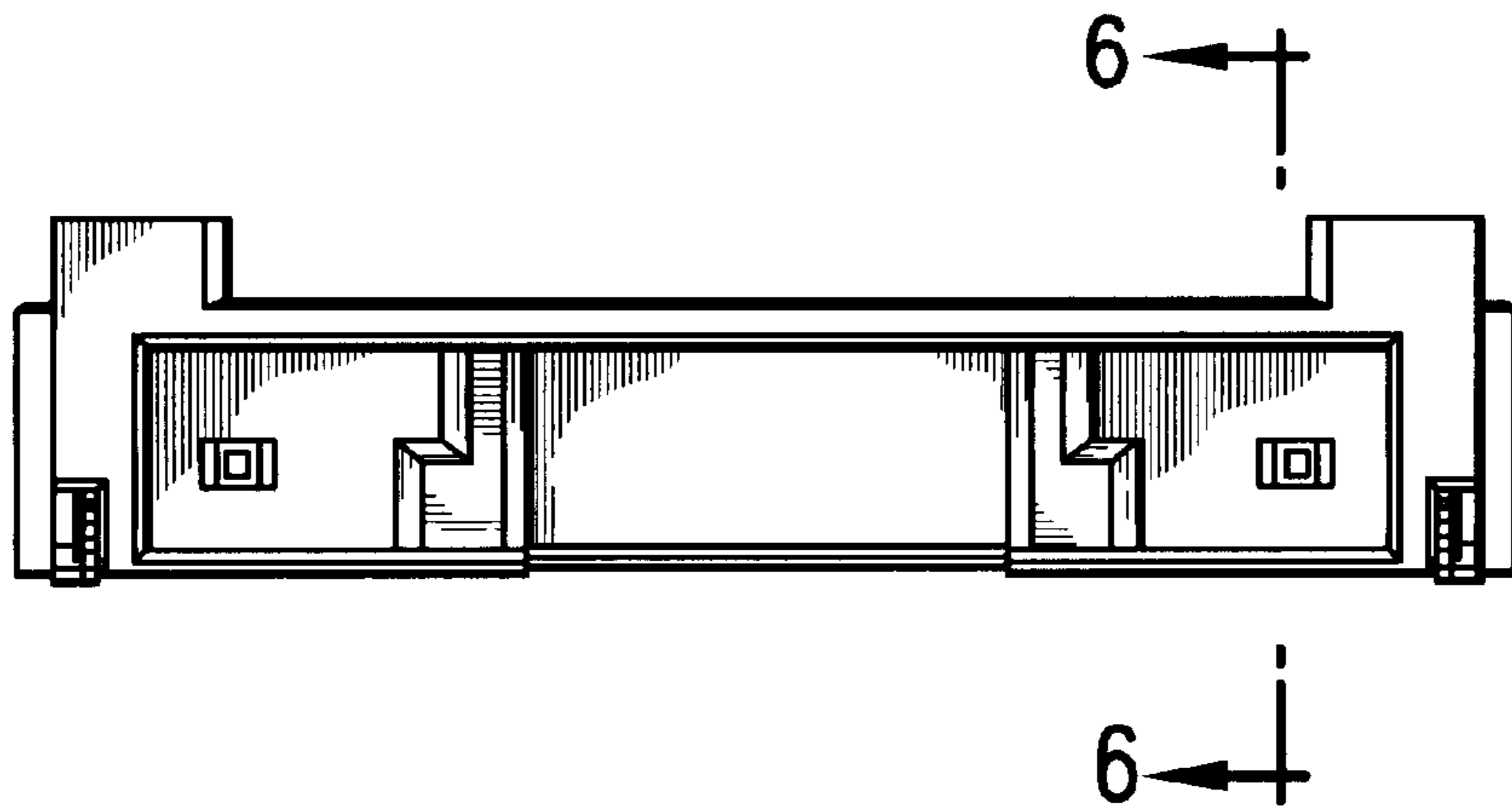


FIG. 1

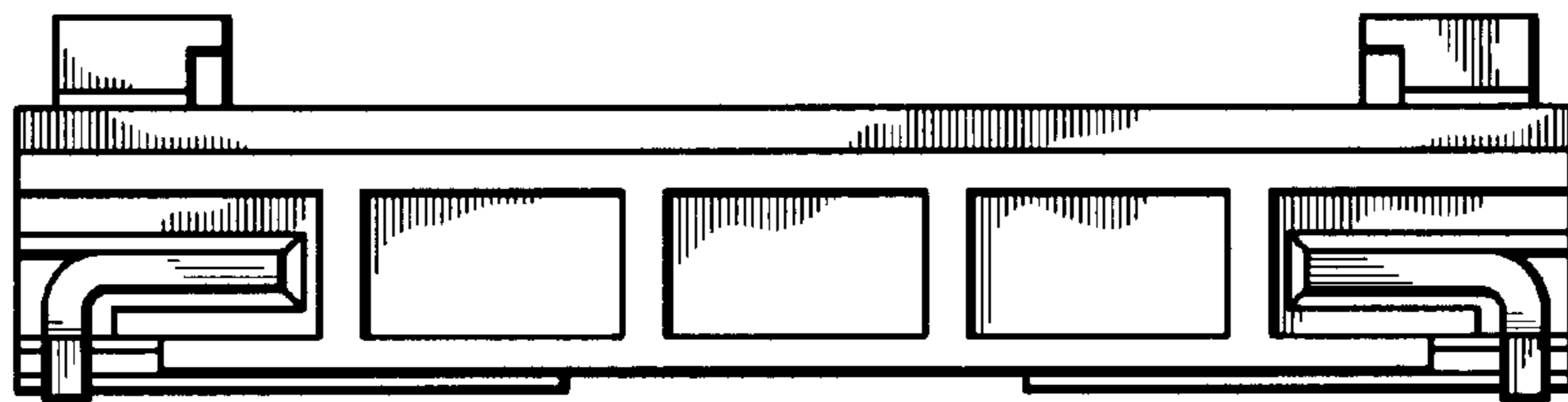


FIG. 2

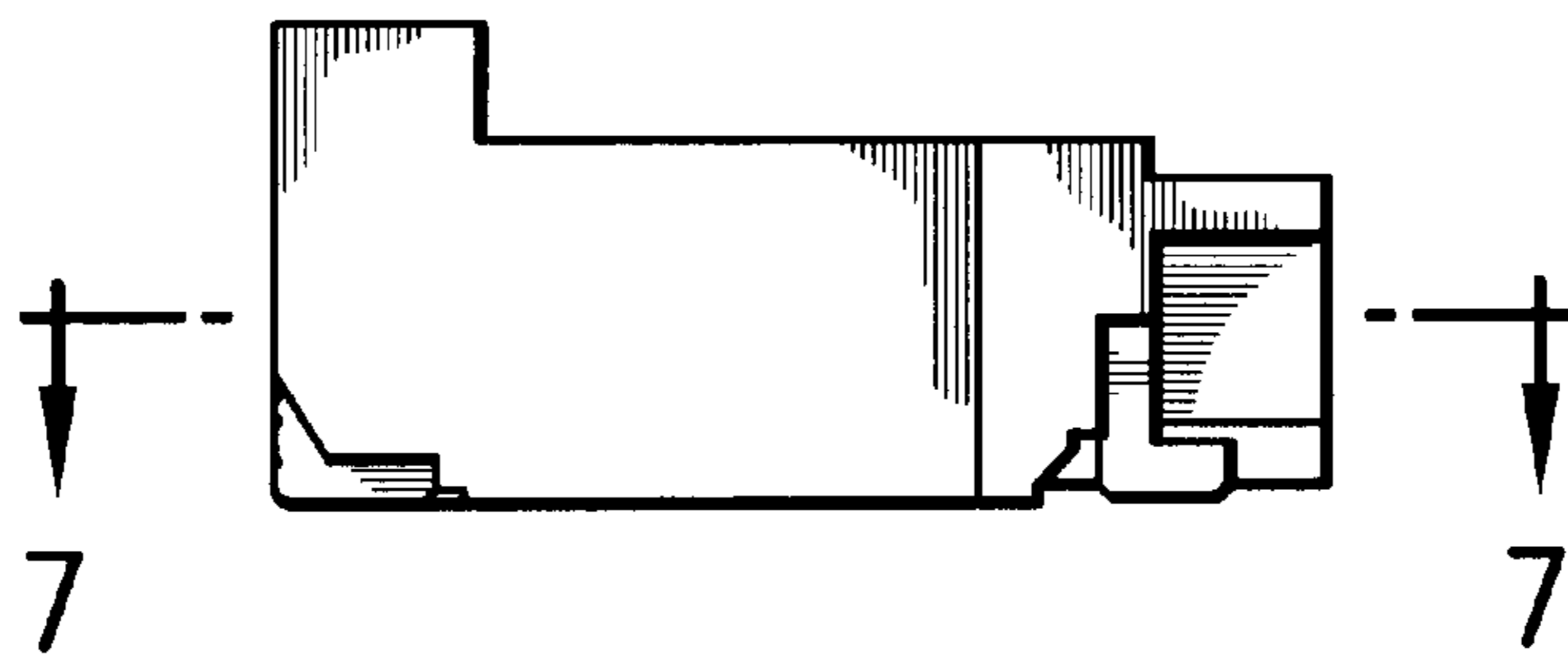


FIG. 3

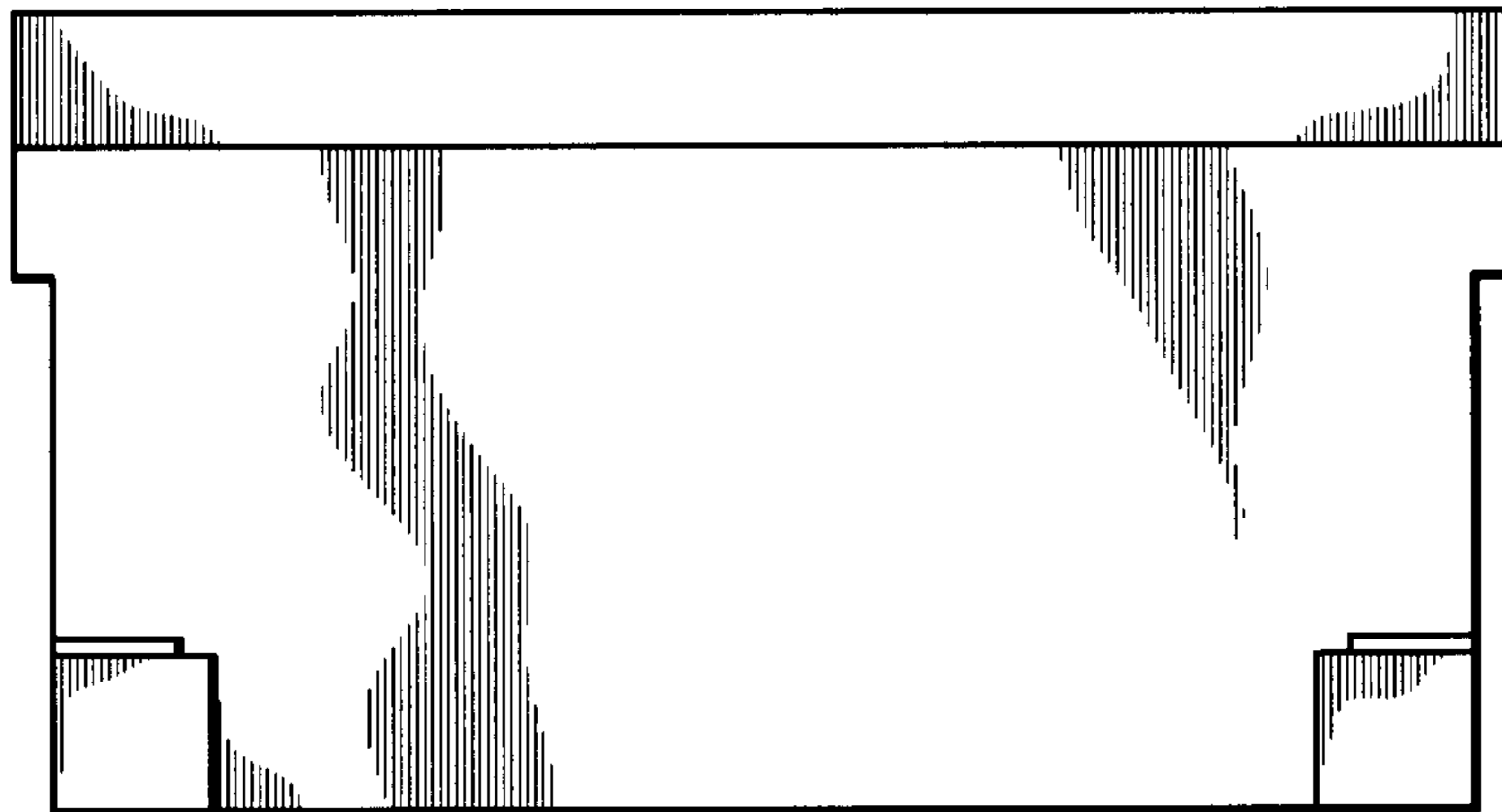


FIG. 4

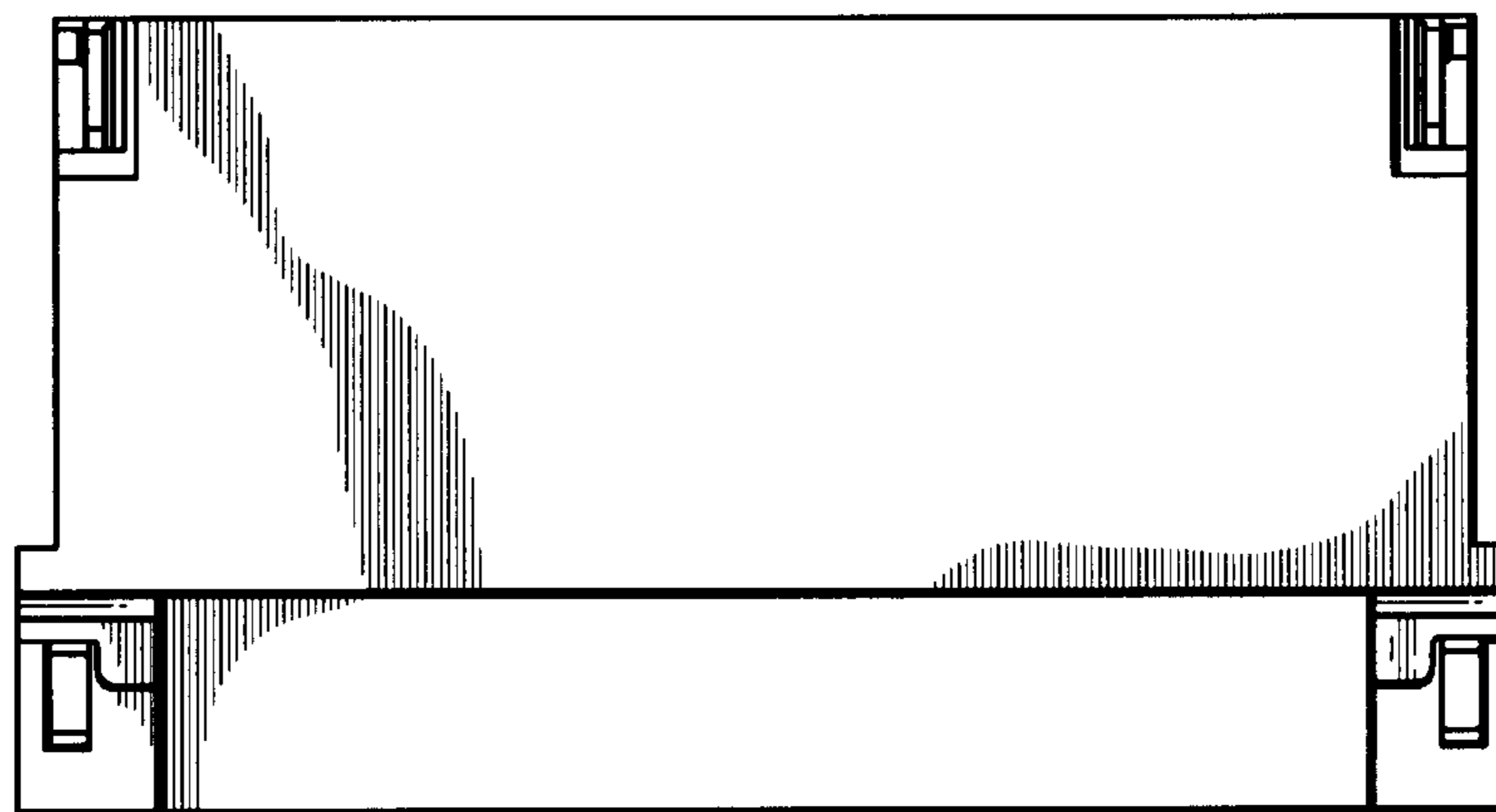


FIG. 5

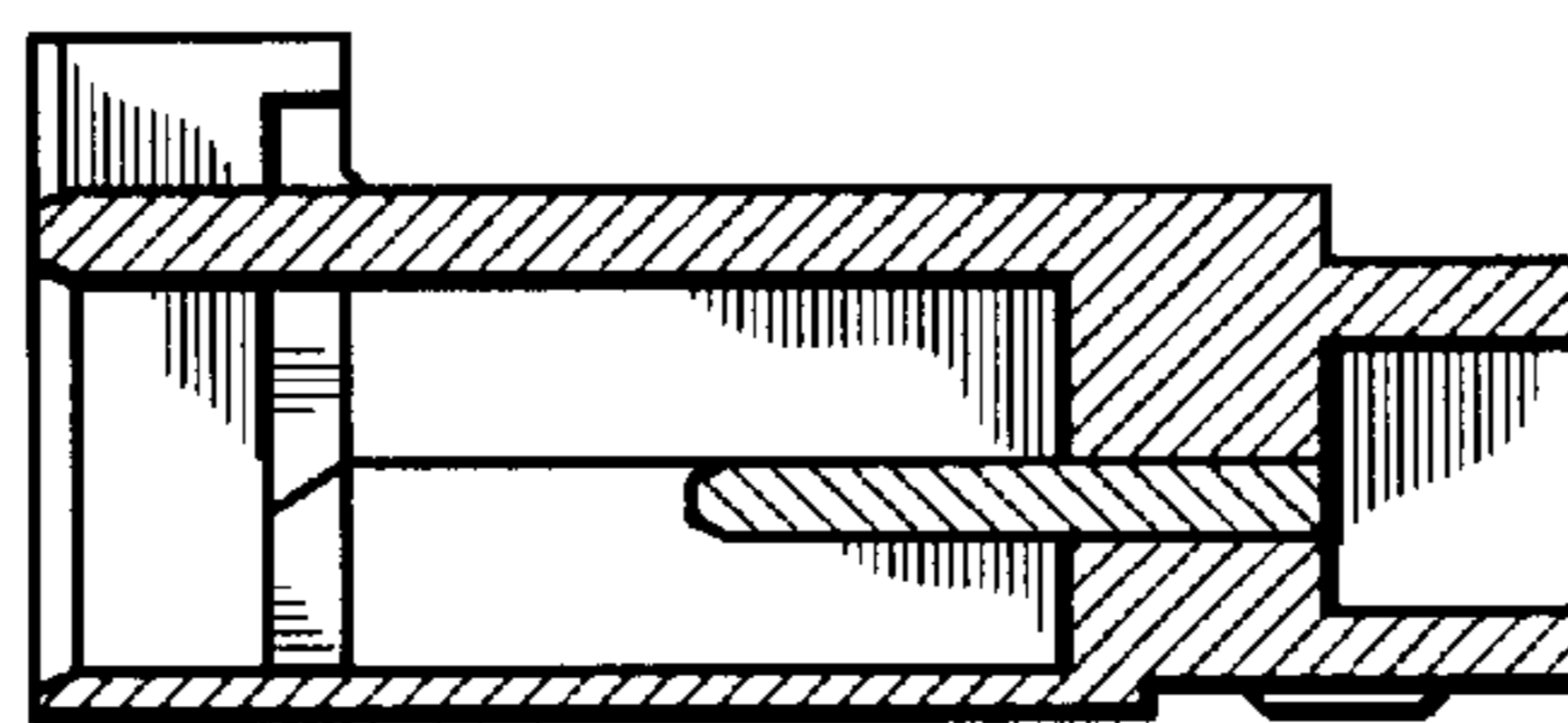


FIG. 6

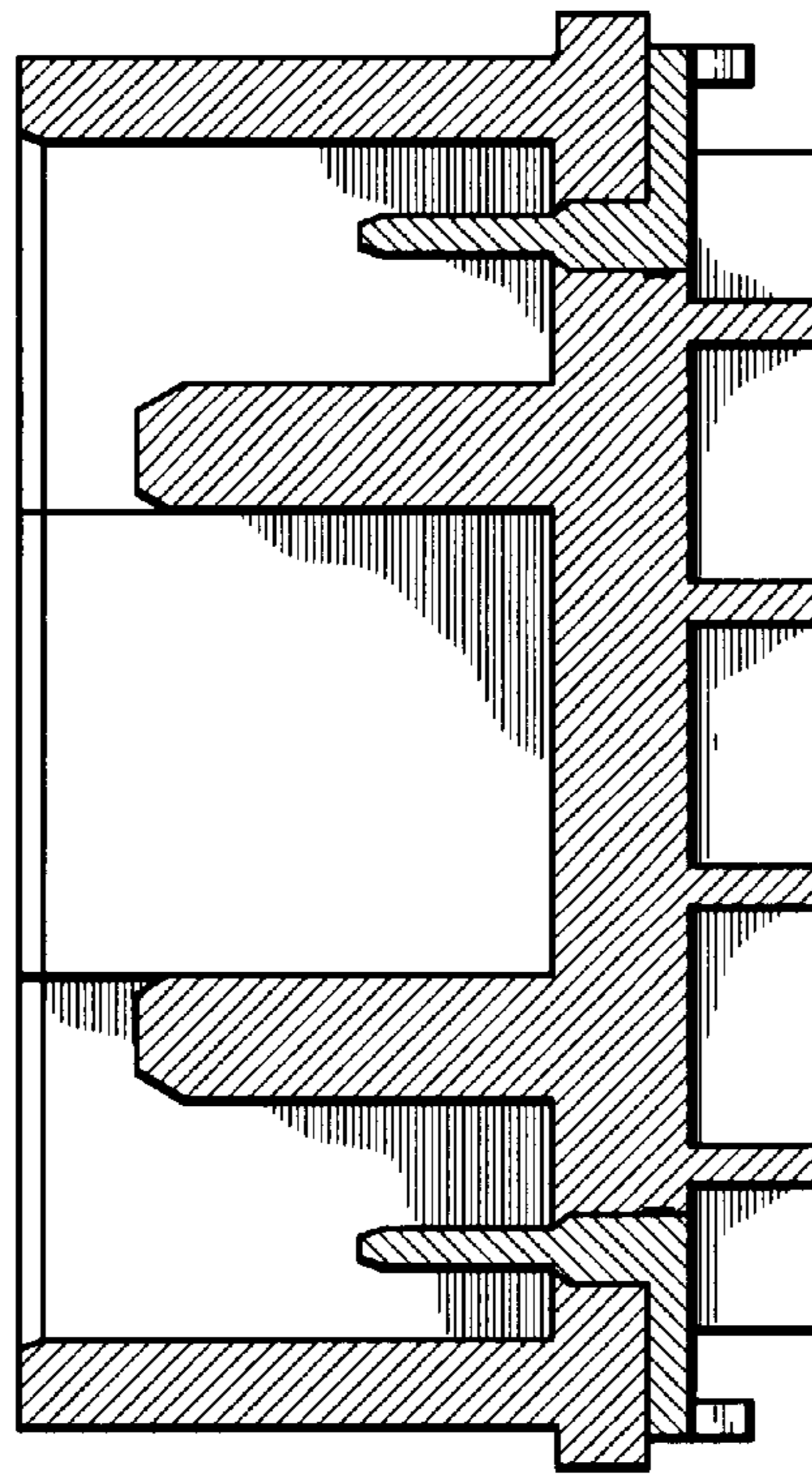


FIG. 7

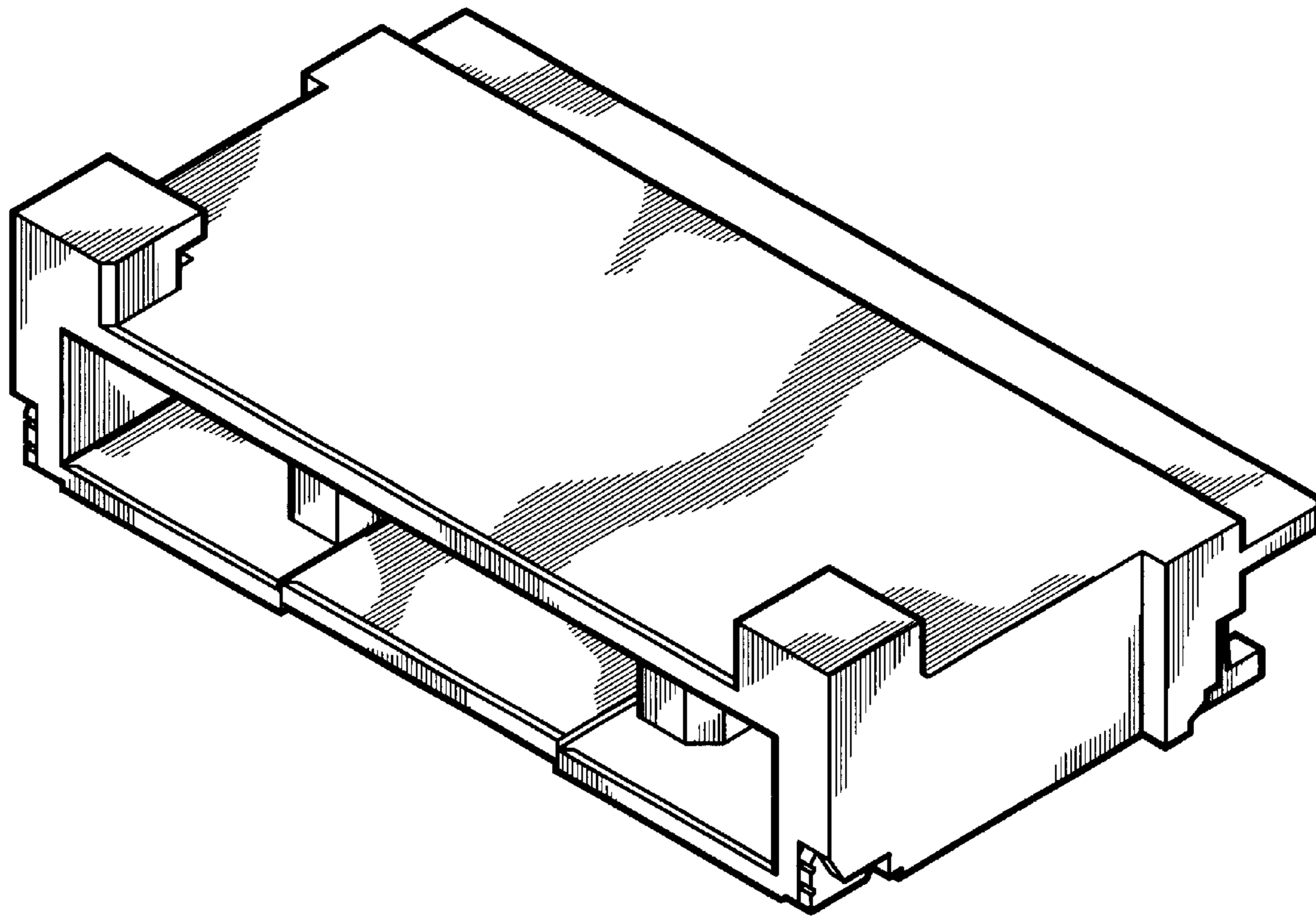


FIG. 8