



US00D518429S

(12) **United States Design Patent** (10) **Patent No.:** **US D518,429 S**  
**Sands** (45) **Date of Patent:** **\*\* Apr. 4, 2006**

(54) **VEHICLE WHEEL WITH FIVE SPOKES**  
(75) Inventor: **Perry W. Sands**, La Palma, CA (US)  
(73) Assignee: **Performance Machine, Inc.**, La Palma, CA (US)  
(\*\*) Term: **14 Years**  
(21) Appl. No.: **29/225,650**  
(22) Filed: **Mar. 16, 2005**  
(51) **LOC (8) Cl.** ..... **12-16**  
(52) **U.S. Cl.** ..... **D12/209**  
(58) **Field of Classification Search** ..... D12/204–213;  
301/37.101, 64.101, 65  
See application file for complete search history.

D451,461 S 12/2001 Arellano  
D451,467 S 12/2001 Chung  
D453,134 S 1/2002 Murkett et al.  
D455,108 S \* 4/2002 Kaucher ..... D12/209  
D455,702 S 4/2002 Cullen  
D457,118 S 5/2002 Bhambra  
D457,119 S 5/2002 Braun et al.  
D458,571 S 6/2002 Maifrini  
D460,037 S 7/2002 Takechi  
D466,464 S 12/2002 Hodges  
D466,467 S 12/2002 Hodges  
D467,855 S 12/2002 Laengerer  
D468,250 S 1/2003 Donikoglu  
D471,851 S 3/2003 McMath  
D473,836 S 4/2003 Laengerer  
D477,262 S 7/2003 Koch  
D478,307 S 8/2003 Maifrini  
D480,034 S \* 9/2003 Donikoglu ..... D12/209  
D481,346 S 10/2003 Vian  
D482,308 S 11/2003 Lee  
D482,309 S 11/2003 Sulahian  
D485,524 S 1/2004 Bhambra  
D490,760 S 6/2004 Sands  
D491,124 S \* 6/2004 Rice ..... D12/209  
D493,763 S 8/2004 Sands  
D494,122 S \* 8/2004 Sands ..... D12/209  
D494,219 S 8/2004 Arita  
D495,284 S 8/2004 Sands  
D500,721 S \* 1/2005 Kataoka ..... D12/209  
D504,380 S \* 4/2005 Kushartanto ..... D12/209

(56) **References Cited**  
U.S. PATENT DOCUMENTS

D52,687 S 11/1918 West  
D382,530 S 8/1997 Raudman et al.  
D403,289 S 12/1998 Watanabe  
D413,851 S 9/1999 Donikoglu  
D413,853 S 9/1999 Hale, Jr.  
D414,454 S 9/1999 Chung  
D418,797 S 1/2000 Chung  
D419,516 S 1/2000 Gagnon  
D419,946 S 2/2000 Goplen  
D419,947 S 2/2000 Chung  
D420,320 S 2/2000 Khoury  
D422,258 S 4/2000 Hale, Jr.  
D431,222 S 9/2000 Vian  
D431,515 S \* 10/2000 Donikoglu ..... D12/209  
D432,973 S 10/2000 Fitzgerald  
D432,975 S 10/2000 Chung  
D433,373 S \* 11/2000 Hussaini et al. .... D12/209  
D436,911 S 1/2001 Chung  
D436,914 S 1/2001 Vian  
D438,503 S 3/2001 Syring  
D441,339 S 5/2001 Hussaini et al.  
D442,534 S \* 5/2001 Wang ..... D12/209  
D444,119 S 6/2001 Brintouch  
D445,078 S 7/2001 Chung  
D445,793 S 7/2001 Ji

\* cited by examiner

*Primary Examiner*—Stacia Cadmus  
(74) *Attorney, Agent, or Firm*—David Pressman

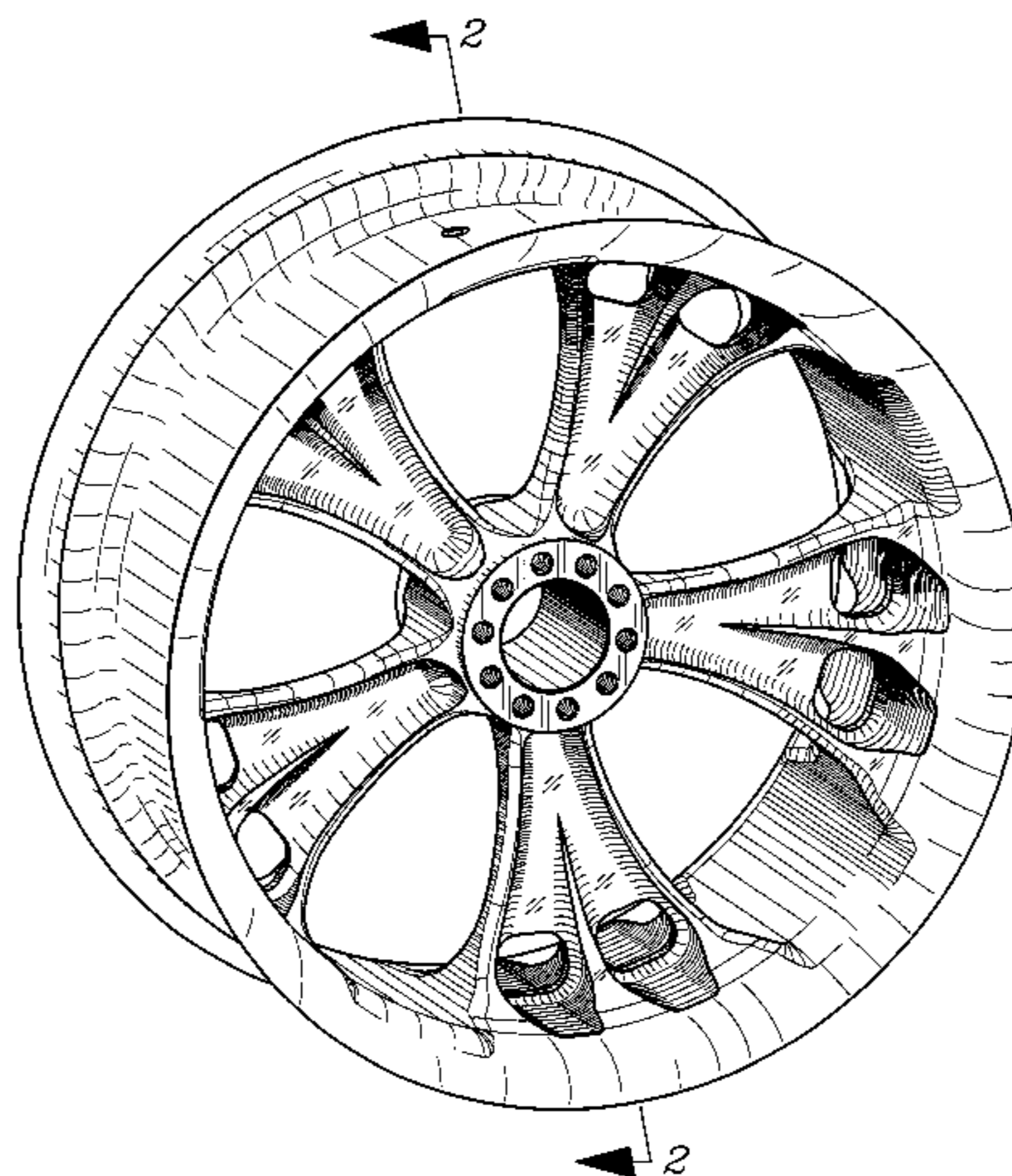
(57) **CLAIM**

The ornamental design for a vehicle wheel with five spokes, as shown and described.

**DESCRIPTION**

FIG. 1 is a perspective view of the front or outer side of a vehicle wheel with five spokes according to my invention. The inner or rear side of the wheel is identical to the front side and the outer ends of all spokes are identical; and, FIG. 2 is a cross-sectional view of the wheel of FIG. 1 taken along the lines 2—2 of FIG. 1.

**1 Claim, 2 Drawing Sheets**



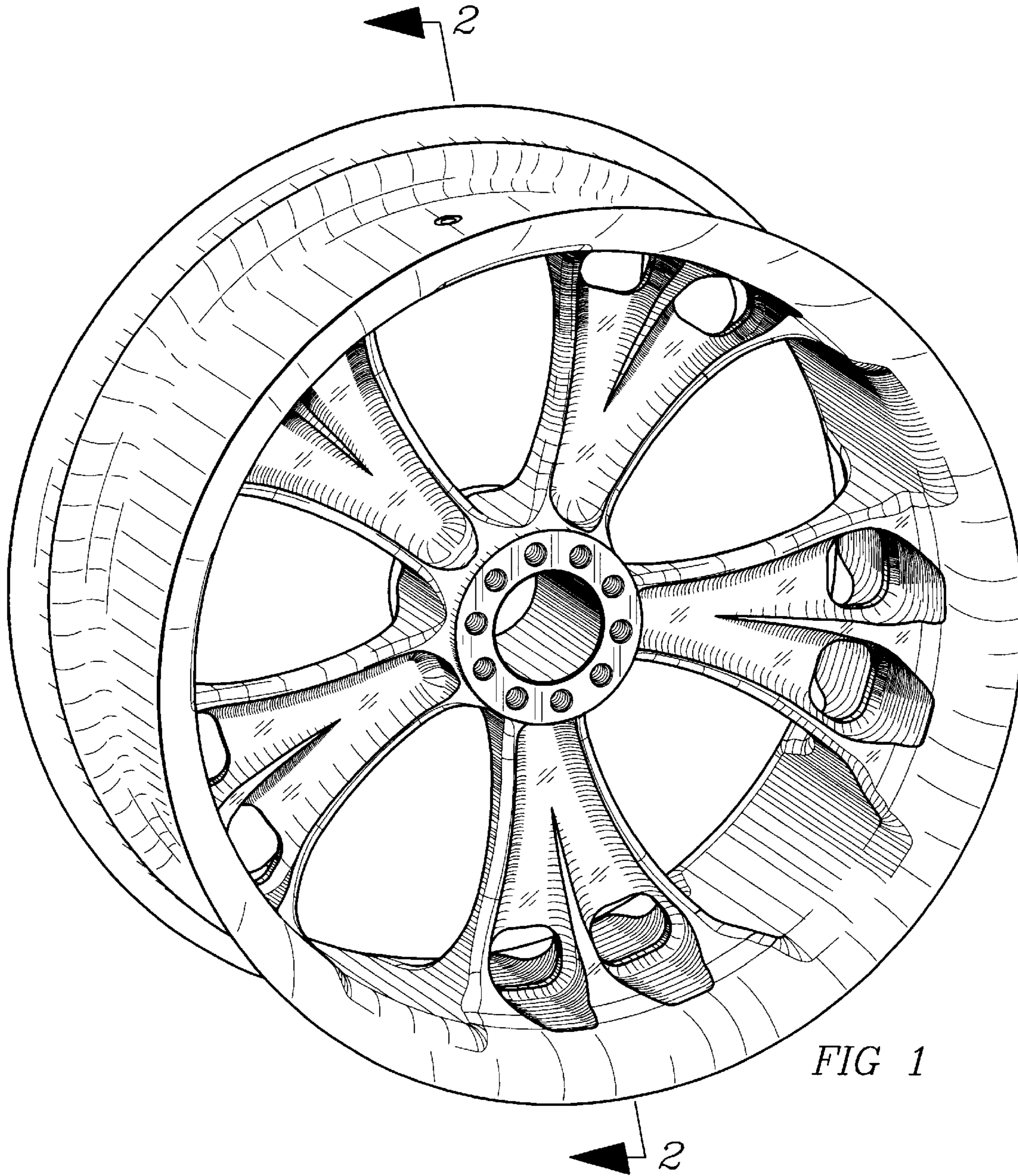


FIG 1

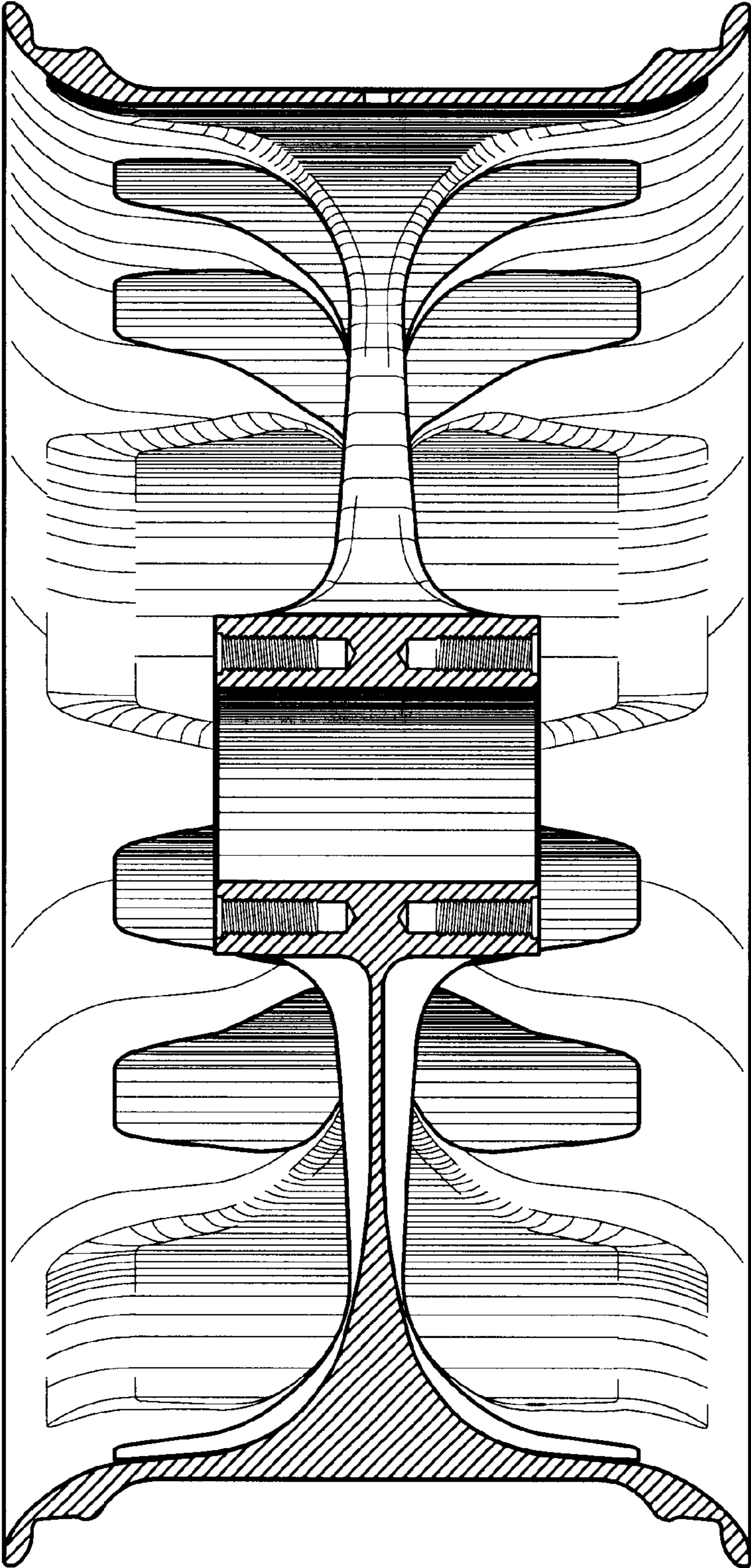


FIG 2