



US00D518421S

(12) **United States Design Patent**  
**Blankenship, Jr.**

(10) **Patent No.:** **US D518,421 S**

(45) **Date of Patent:** **\*\* Apr. 4, 2006**

(54) **BALL MOUNT**

(76) **Inventor:** **Doyle Blankenship, Jr.**, 611 Thurman Rd., Crossett, AR (US) 71635

(\*\*) **Term:** **14 Years**

(21) **Appl. No.:** **29/187,108**

(22) **Filed:** **Jul. 28, 2003**

(51) **LOC (8) Cl.** ..... **12-16**

(52) **U.S. Cl.** ..... **D12/162**

(58) **Field of Classification Search** ..... D12/162,  
D12/400, 406; 280/477, 507, 483-486, 493-495,  
280/510-513, 415, 416.3, 504  
See application file for complete search history.

(56) **References Cited**

**U.S. PATENT DOCUMENTS**

2,797,406	A	6/1957	Tanis et al.	340/431
4,840,392	A	6/1989	Baskett	280/477
4,871,184	A	10/1989	Johnson	280/477
4,871,185	A	10/1989	Chakroff et al.	280/477
4,974,866	A	12/1990	Morgan	280/477
D319,204	S	* 8/1991	McGrady	D12/162
5,330,196	A	7/1994	Ricles	280/477
5,465,992	A	11/1995	Anderson	280/477
5,529,330	A	6/1996	Roman	280/477
D372,447	S	* 8/1996	McCoy et al.	D12/162
D384,924	S	* 10/1997	Hanson et al.	D12/162
5,697,630	A	12/1997	Thompson et al.	280/477
5,779,256	A	7/1998	Vass	280/477
D431,504	S	* 10/2000	Hoska	D12/162
D489,297	S	* 5/2004	Pichan	D12/162

**OTHER PUBLICATIONS**

1 page, color photocopy of early version of trailer hitch made by inventor.

\* cited by examiner

*Primary Examiner*—Stacia Cadmus

(74) *Attorney, Agent, or Firm*—Mark Rogers; Gary N. Speed

(57) **CLAIM**

The ornamental design for a ball mount, as shown and described.

**DESCRIPTION**

FIG. 1 is a perspective view of an ball mount of the present invention;

FIG. 2 is a side view of the ball mount of the present invention;

FIG. 3 is an overhead view of the ball mount of the present invention;

FIG. 4 is a front view of the ball mount of the present invention;

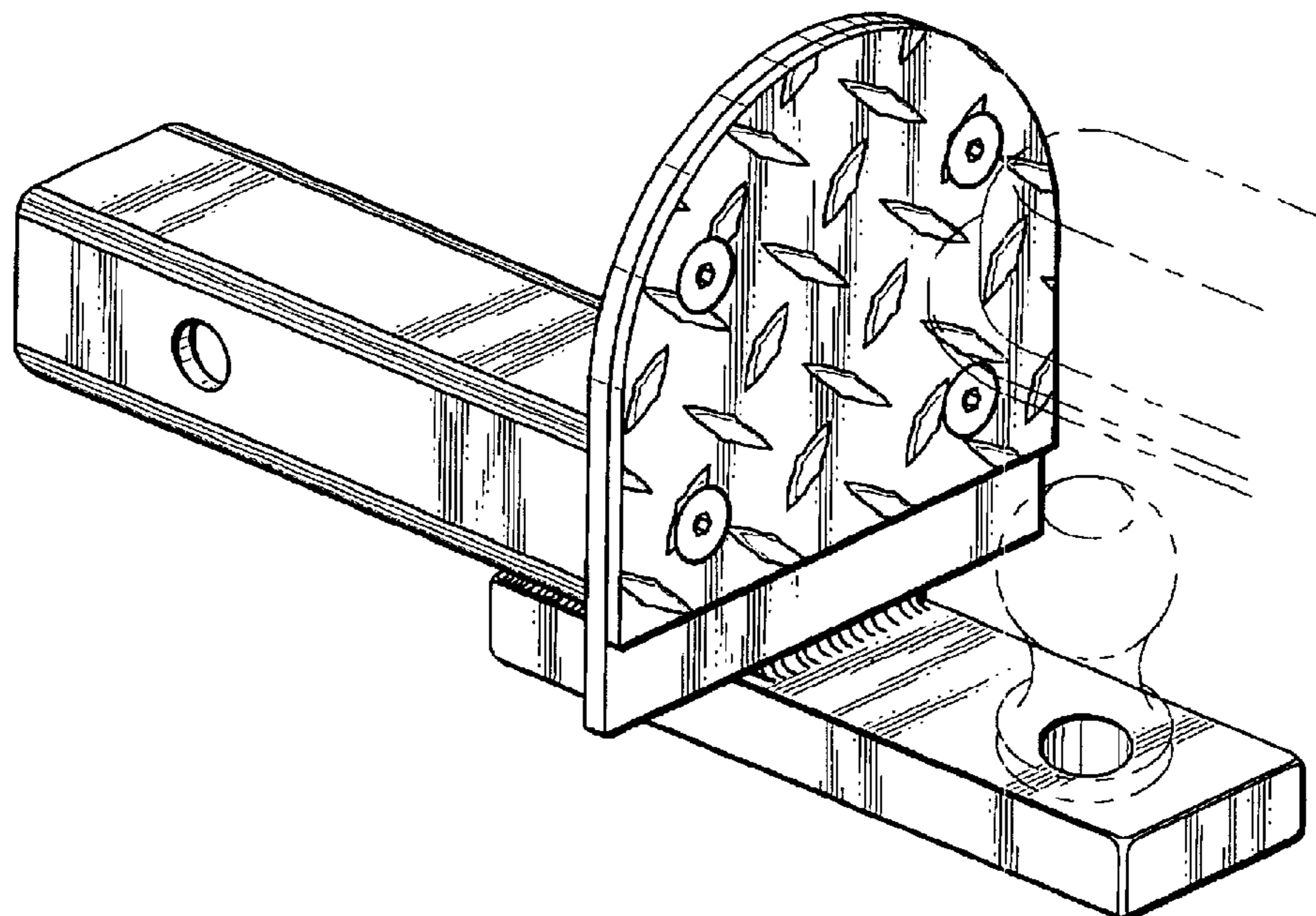
FIG. 5 is a bottom view of the ball mount of the present invention;

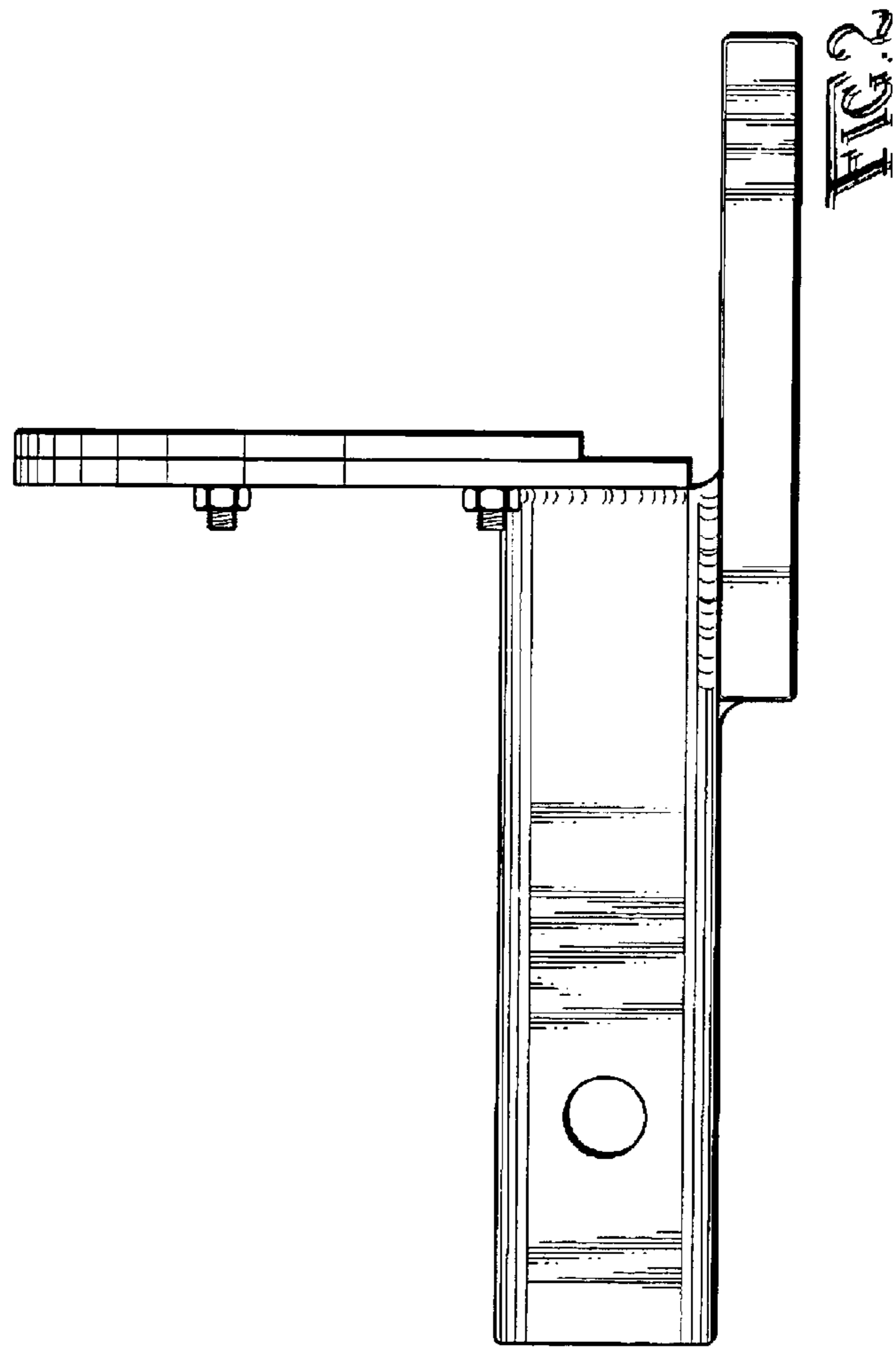
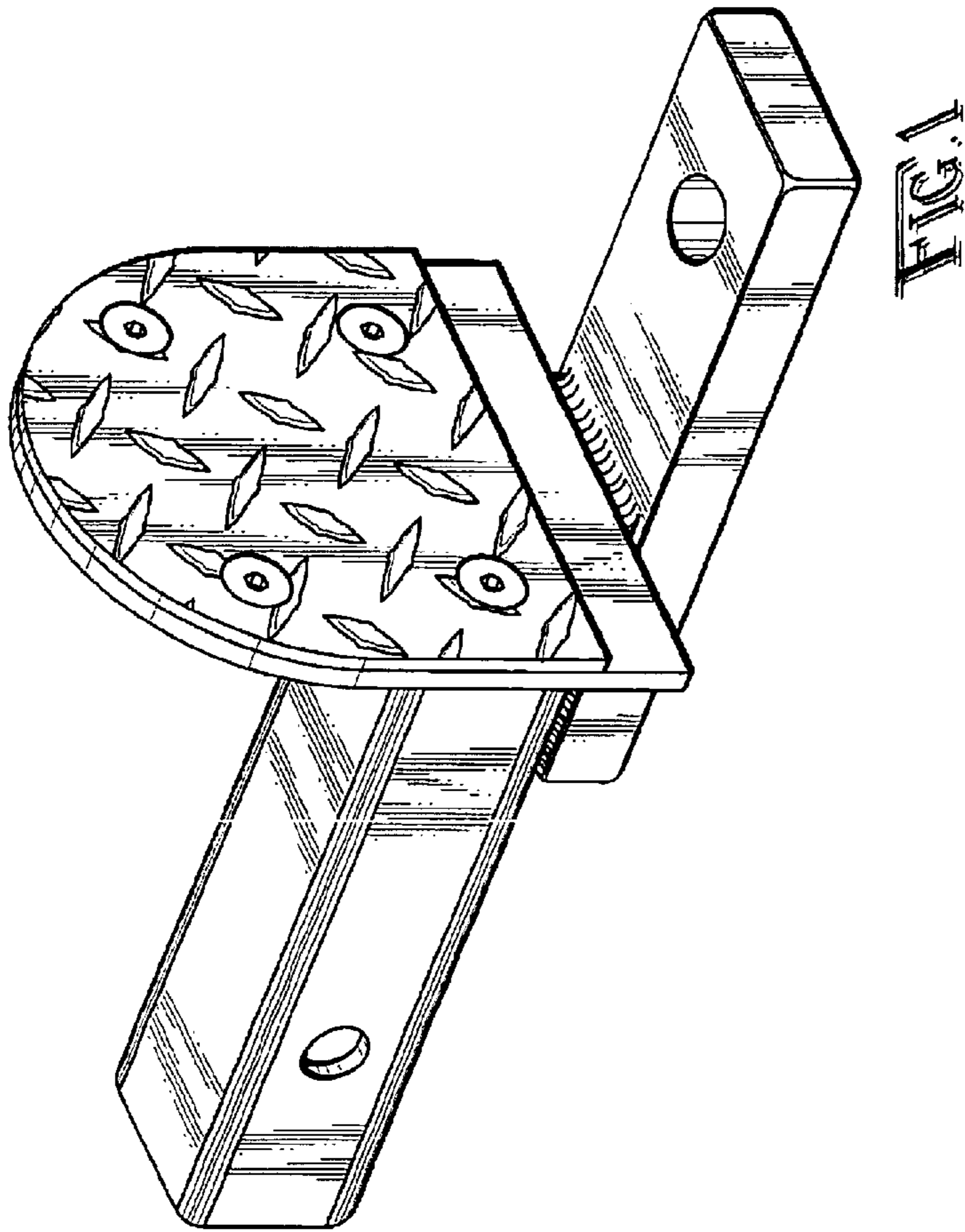
FIG. 6 is a rear view of the ball mount of the present invention; and,

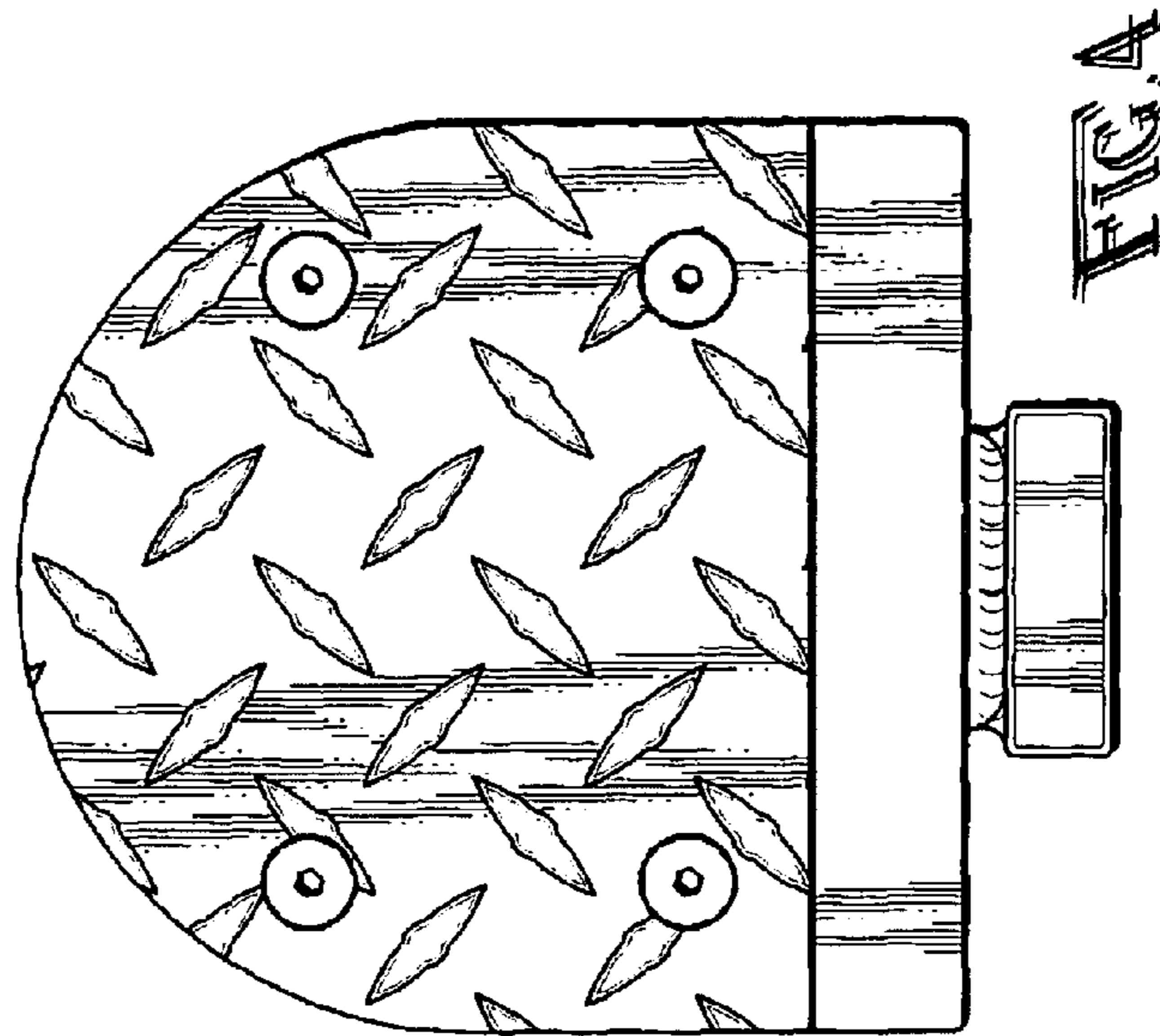
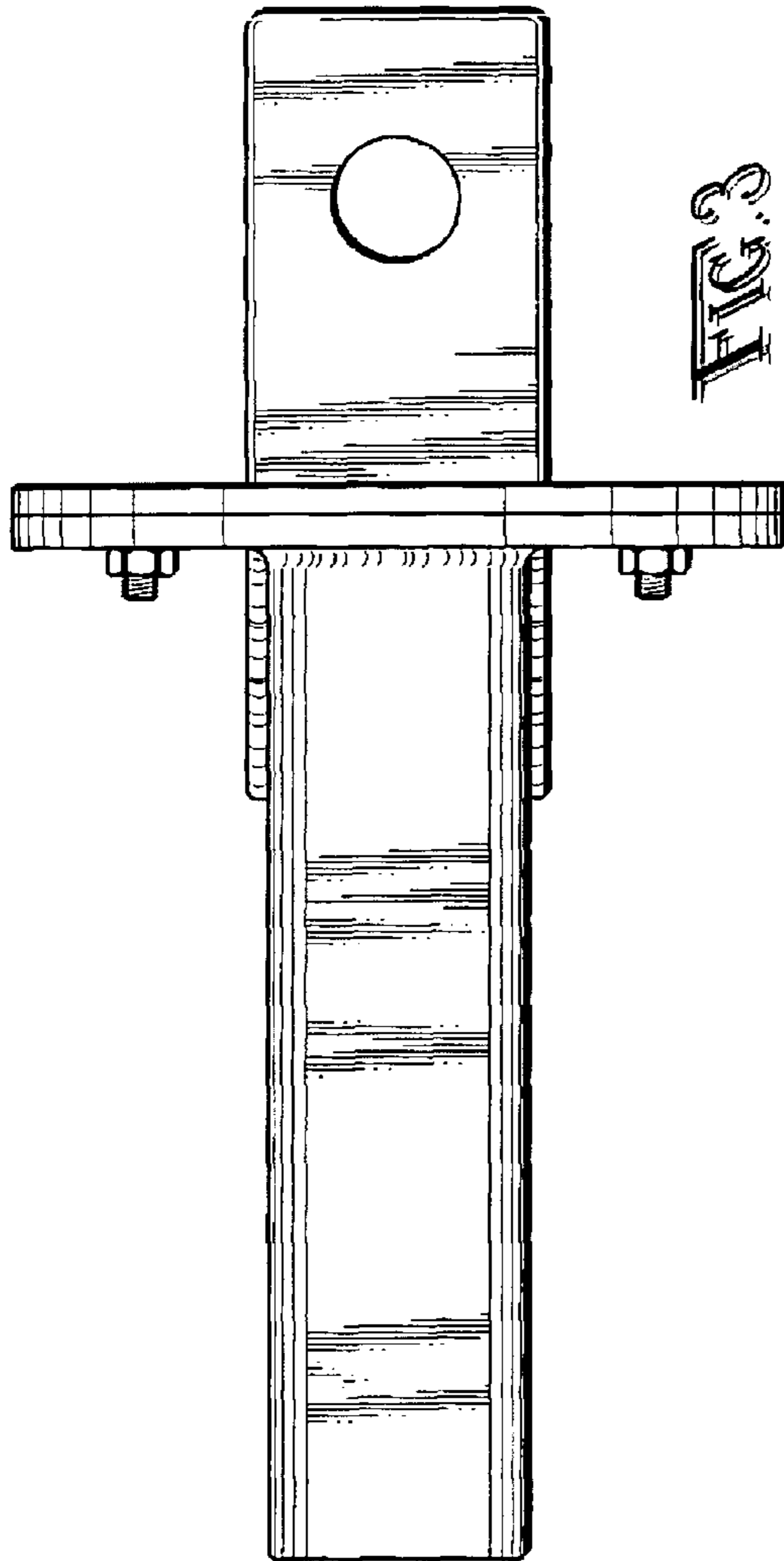
FIG. 7 is a perspective view of the ball mount of the present invention, in use.

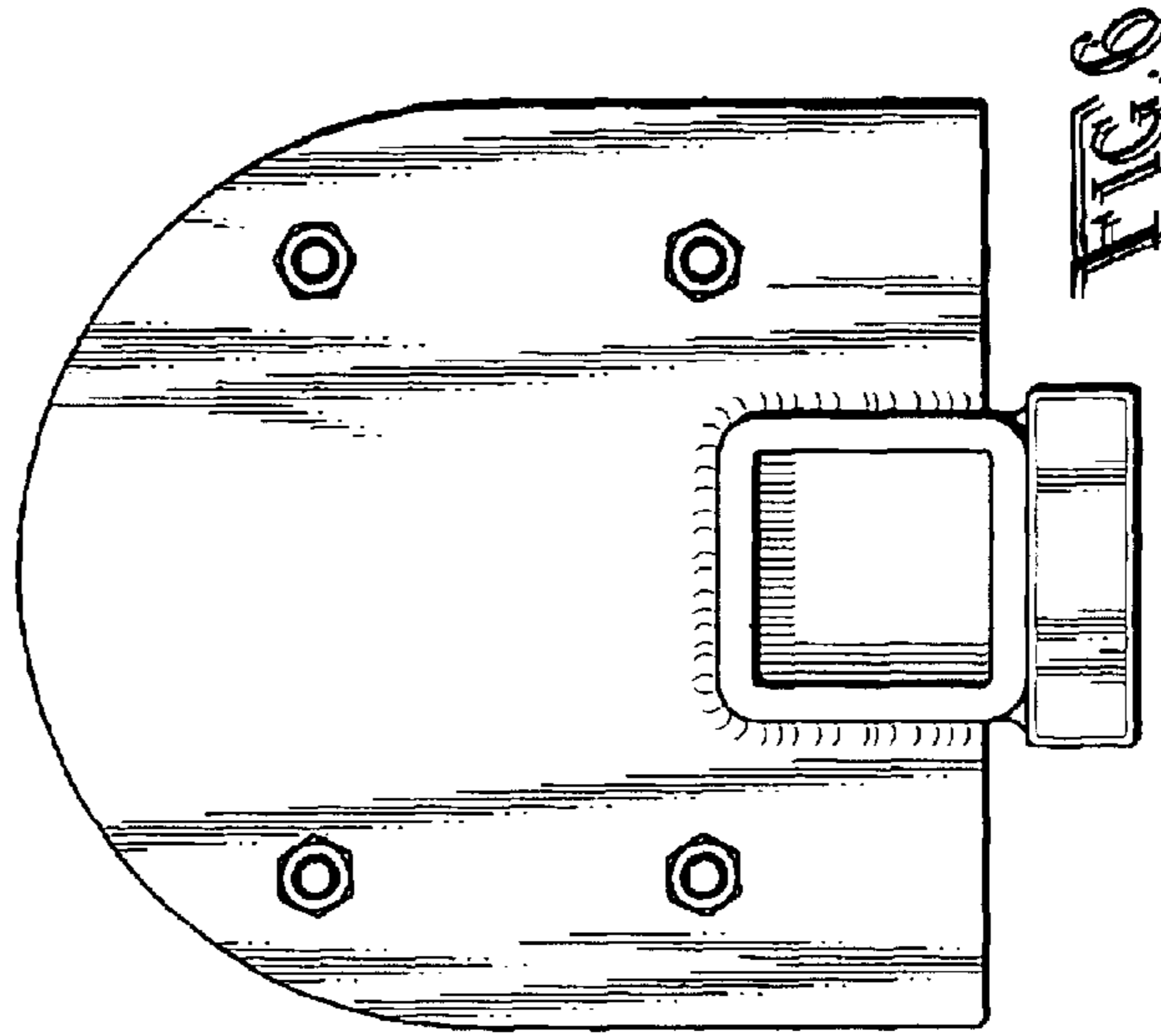
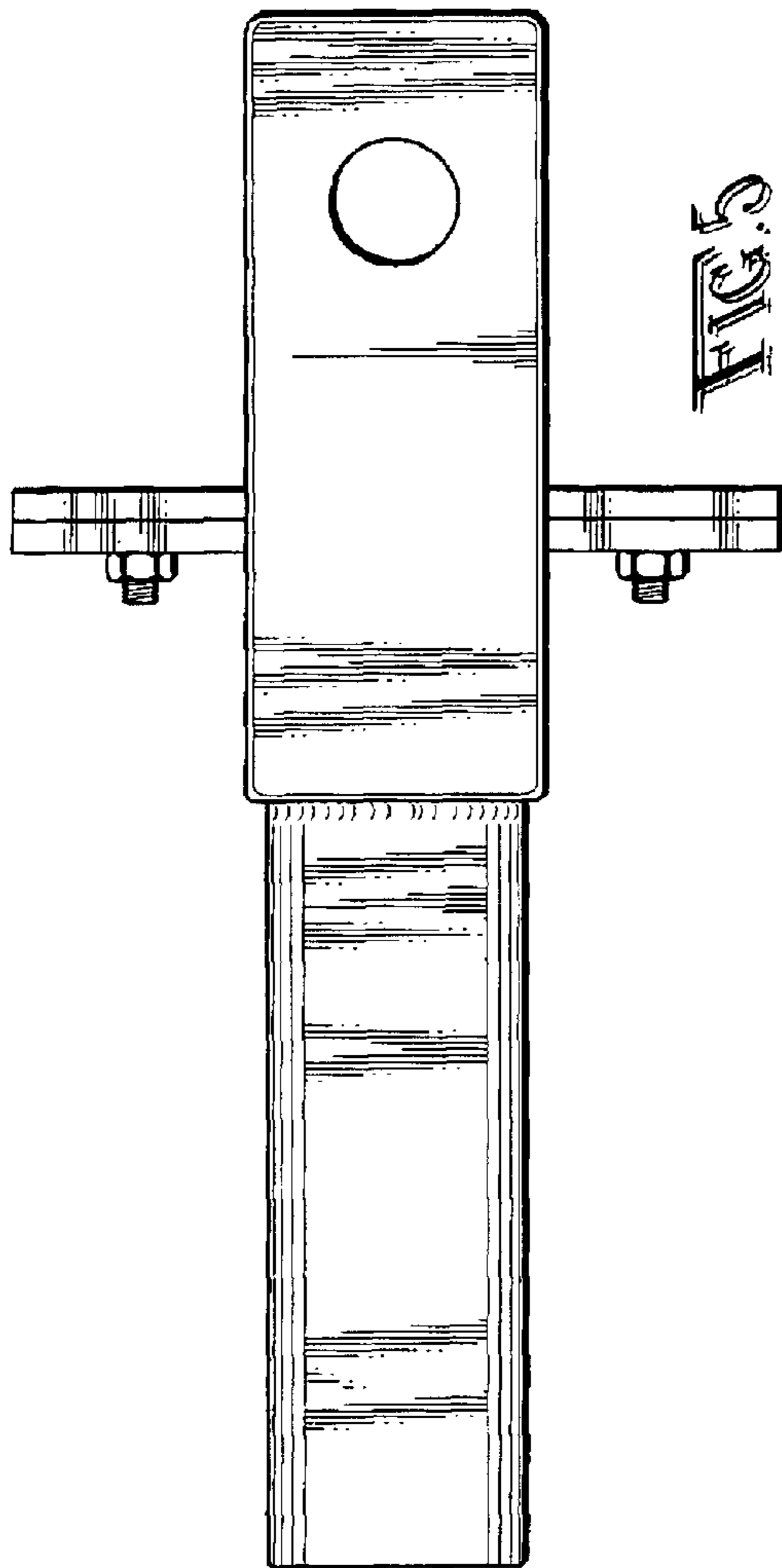
The broken line showing of environment is for illustrative purposes only and forms no part of the claimed design.

**1 Claim, 4 Drawing Sheets**











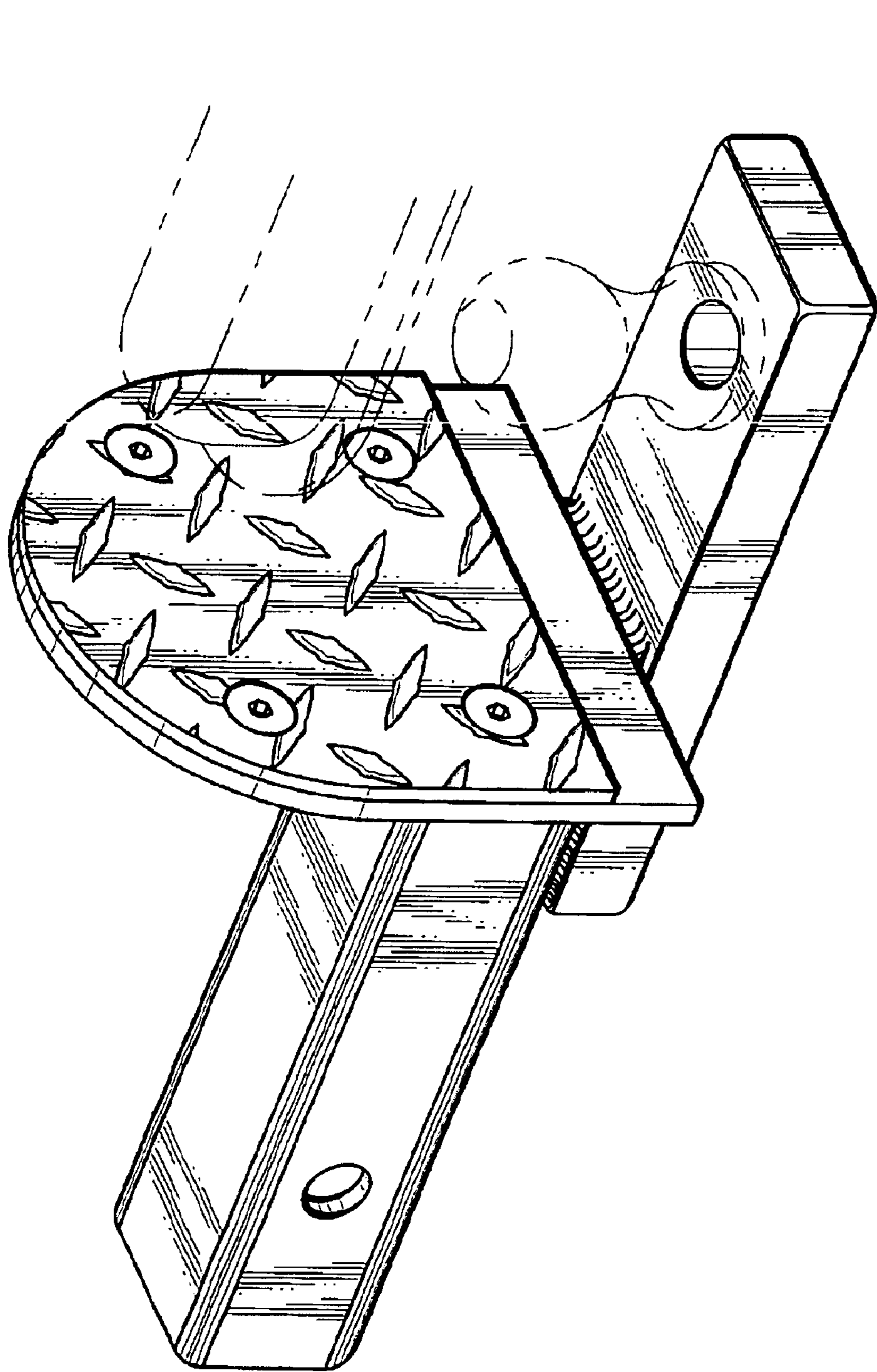


FIG. 1