



US00D518417S

(12) **United States Design Patent**
Oosterveer

(10) **Patent No.:** **US D518,417 S**

(45) **Date of Patent:** **** Apr. 4, 2006**

(54) **THREE-WHEELED VEHICLE**

(76) Inventor: **Horst Oosterveer**, Lissevenlaan 16,
NL-5582 KC Waalre (NL)

(**) Term: **14 Years**

(21) Appl. No.: **29/219,802**

(22) Filed: **Dec. 21, 2004**

(51) **LOC (8) Cl.** **12-11**

(52) **U.S. Cl.** **D12/112**

(58) **Field of Classification Search** D12/112,
D12/113; 280/202, 211, 259, 270, 271, 281.1,
280/288.1, 282; D21/435

See application file for complete search history.

(56) **References Cited**

U.S. PATENT DOCUMENTS

4,572,535 A 2/1986 Stewart et al.
D465,439 S 11/2002 van de Vrie

FOREIGN PATENT DOCUMENTS

DE 195 11 629 C2 10/1998
DE 100 54 273 A1 5/2002
EP 000005301-0001 7/2003

OTHER PUBLICATIONS

Tom Lockington, Trixstar at www.trixstar.co.uk, Dec. 18, 2004, 1 page.

Rohorn, Inc., Rohorn Mind Expanding Bicycles, S'trike and F'lowroller, www.rohorn.com, Dec. 18, 2004, 1 page.

Author or owner name unknown, Coyote pedal kart, www.letsride1.com/coyote.html, December 18, 2004, 2 pages.

TRAILMATE, Trailmate's Fun Cycle Series, www.trailmate.com/funCycleSeries.cfm, Dec. 18, 2004, 2 pages.

WINTHER, Chili Recumbent Bike, www.a-winter.com/pages/viking/others_485.00.php, Dec. 18, 2004, 2 pages.

BERG, Balanzbike, www.bergtoys.com/languages/balanzbike.php?model=bazzic, Dec. 18, 2004, 1 page.

Author or owner name unknown, Triker Rock The Streets, Users manual, Dec. 18, 2004, 1 page.

Author or owner name unknown, Big Wheel, <http://toyclassics.com/product.asp?pn=1995>, Dec. 18, 2004, 1 page.

Toyvision Trading B.V., ZigZag users manual, date unknown, 1 page.

Toyvision Trading B.V., Viper users manual, date unknown, 1 page.

Primary Examiner—Alan P. Douglas

Assistant Examiner—Linda Brooks

(74) *Attorney, Agent, or Firm*—Schwabe, Williamson and Wyatt

(57) **CLAIM**

The ornamental design for a three-wheeled vehicle, as shown and described.

DESCRIPTION

FIG. 1 illustrates a front left perspective view of an ornamental design of the three-wheeled vehicle in accordance with the present invention;

FIG. 2 illustrates a rear view of the invention of FIG. 1;

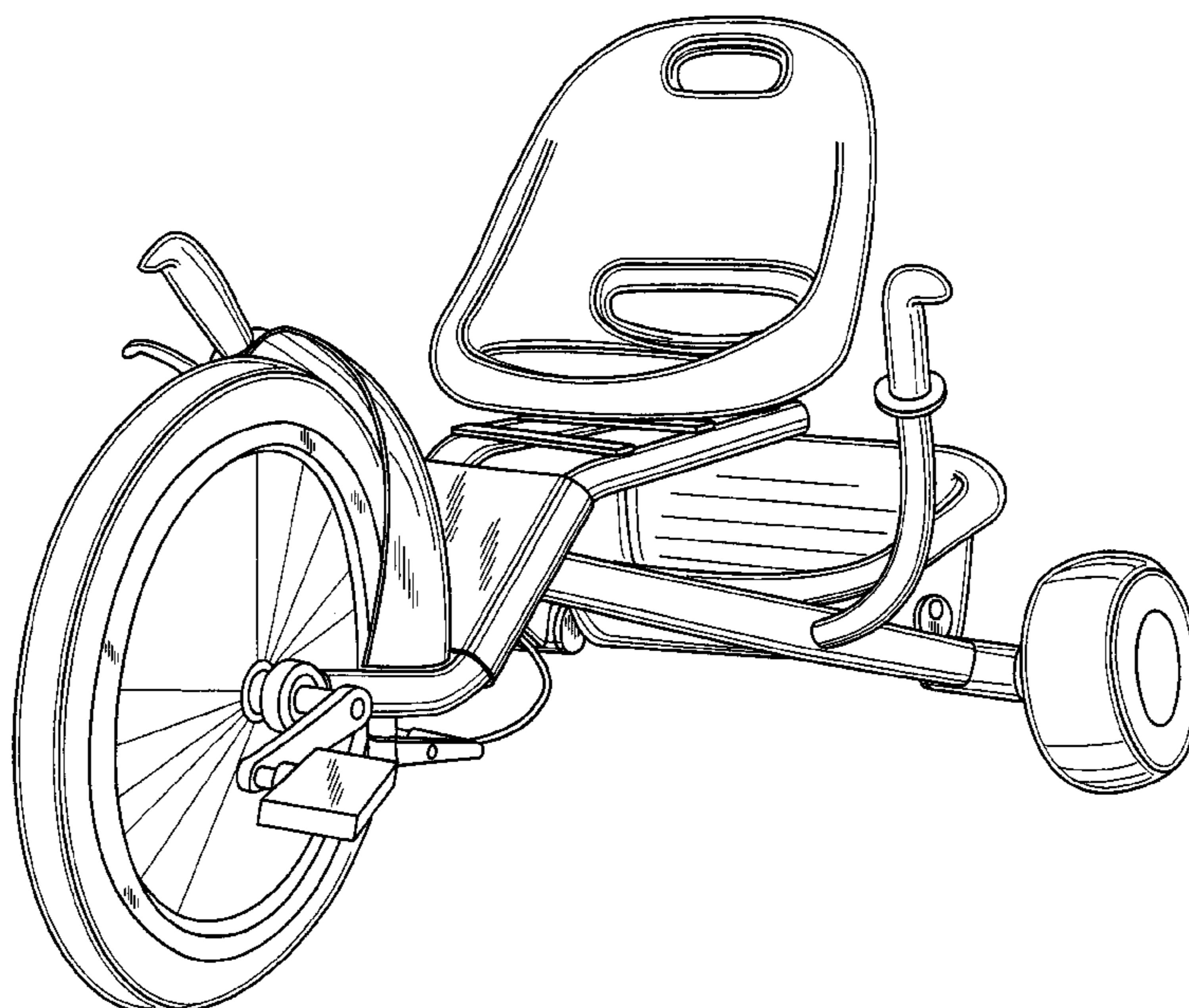
FIG. 3 illustrates a front perspective view of the invention of FIG. 1;

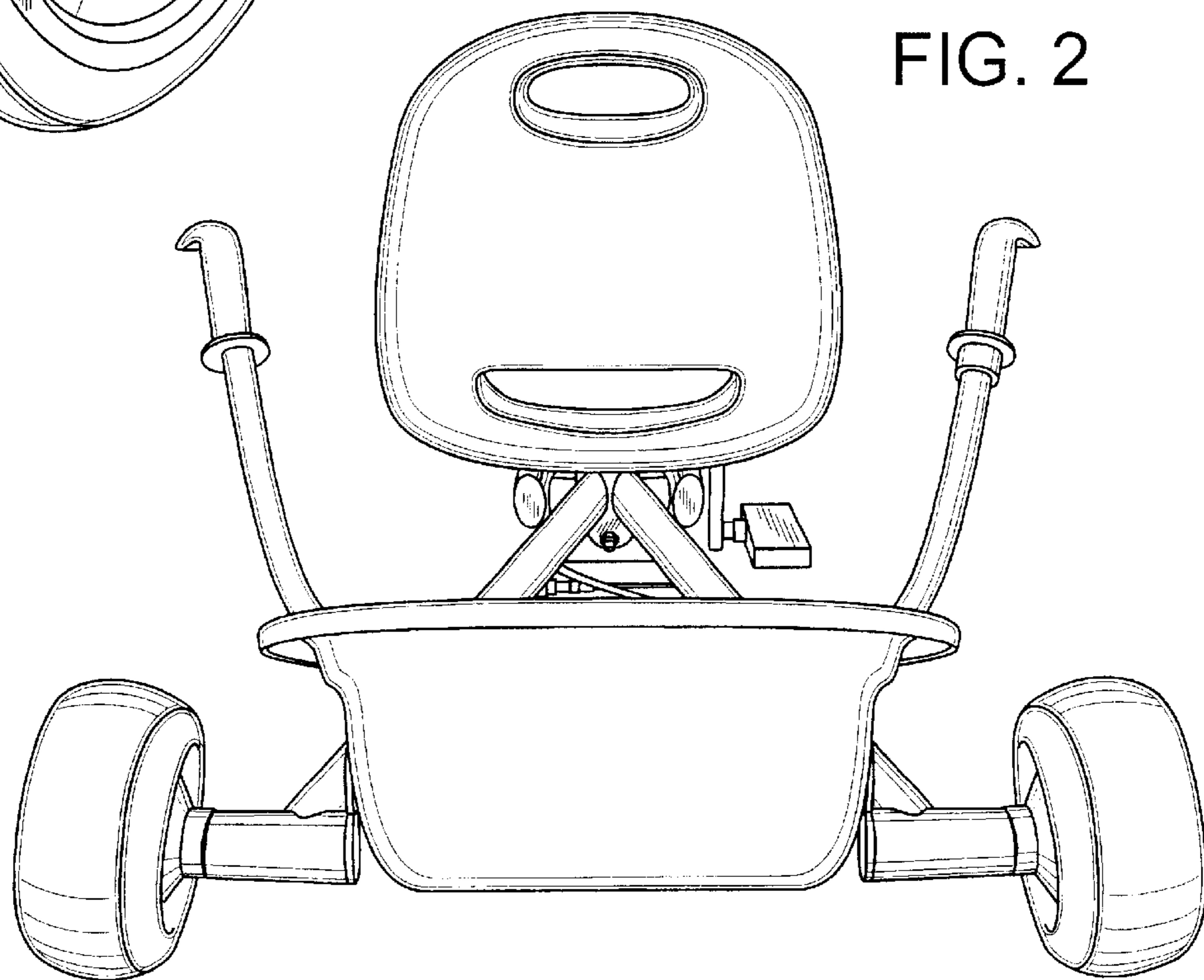
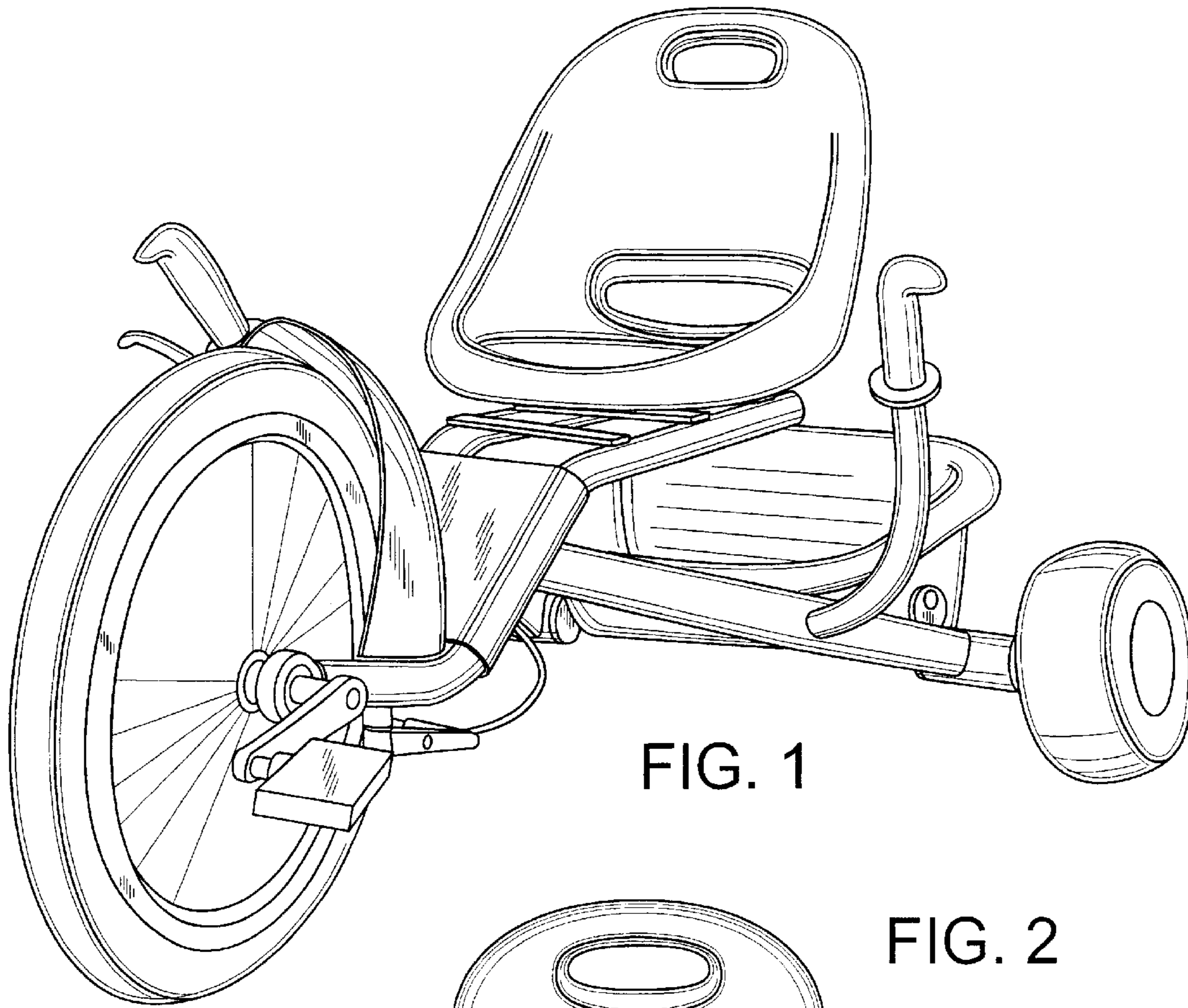
FIG. 4 illustrates a left perspective view of the invention of FIG. 1;

FIG. 5 illustrates a top plan view of the invention of FIG. 1; and,

FIG. 6 illustrates a bottom plan view of the invention of FIG. 1.

1 Claim, 5 Drawing Sheets





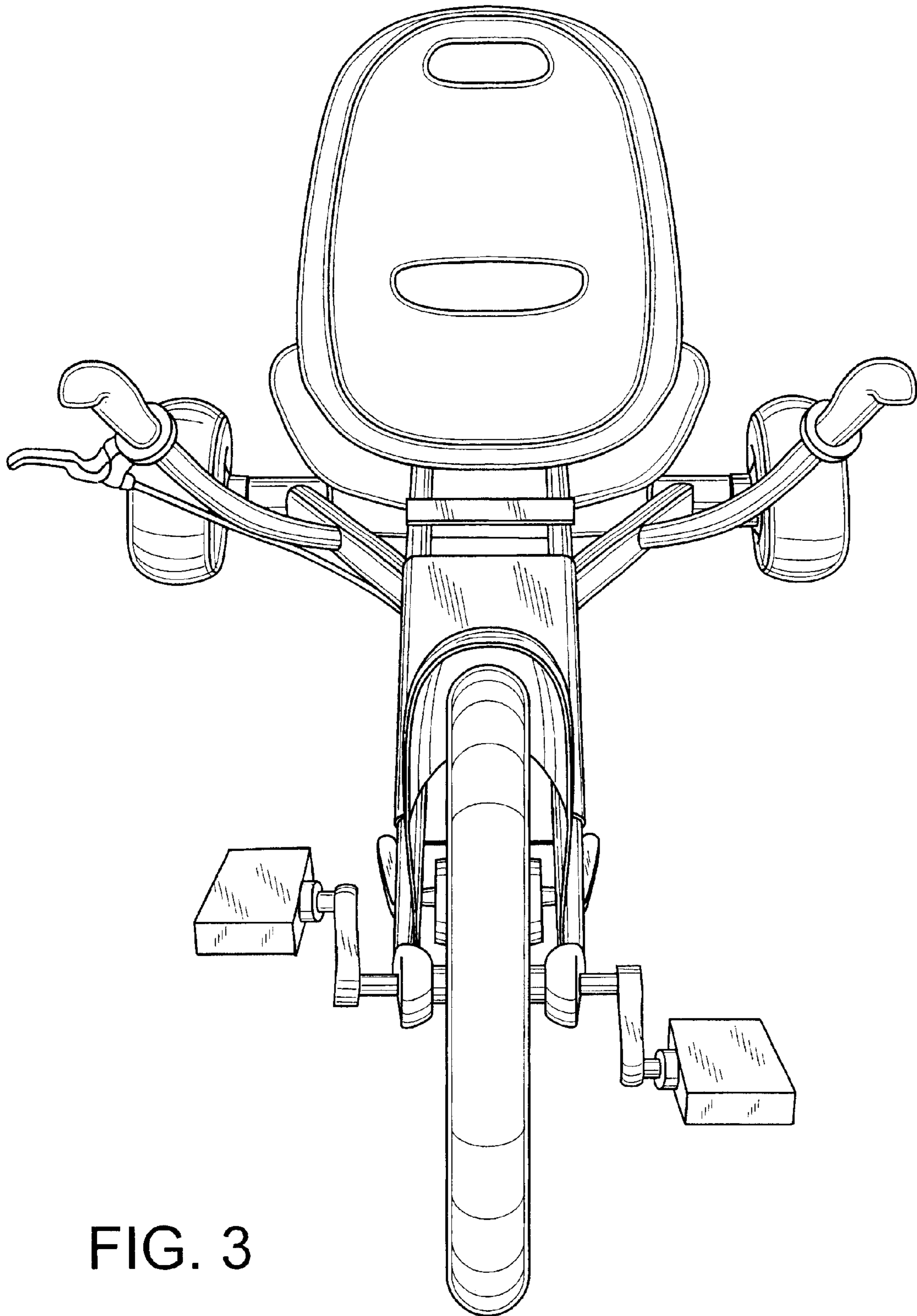


FIG. 3

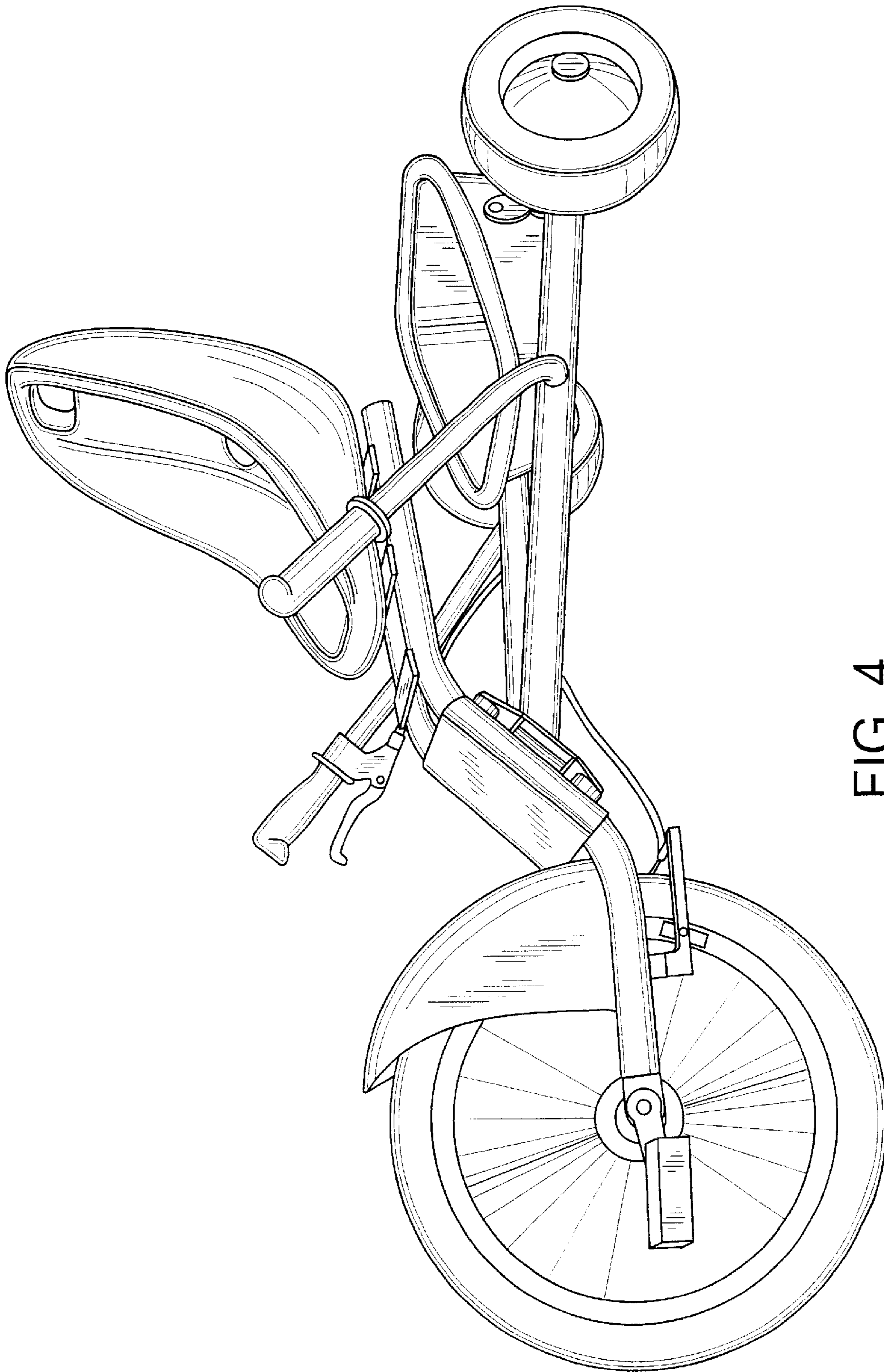


FIG. 4

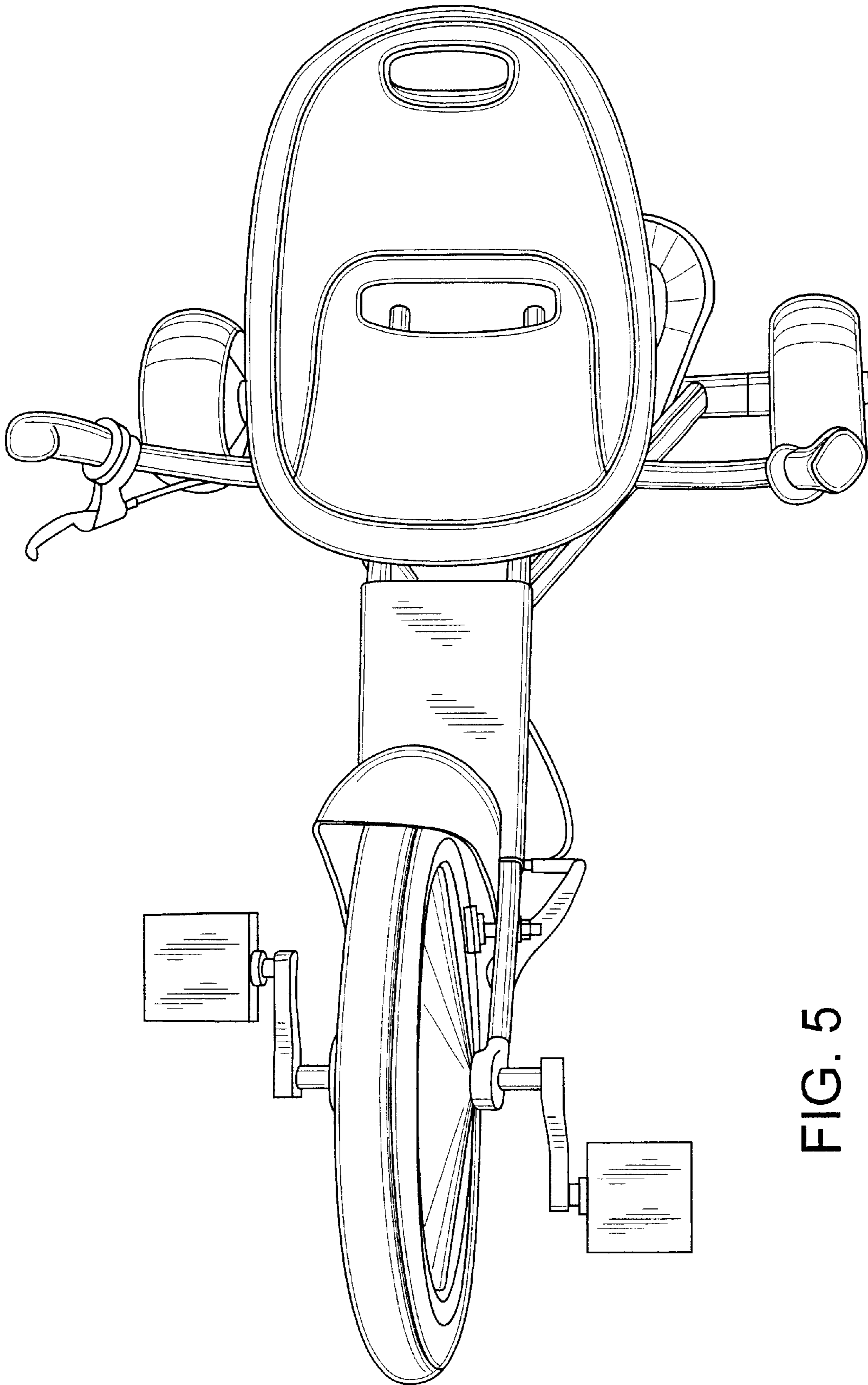


FIG. 5

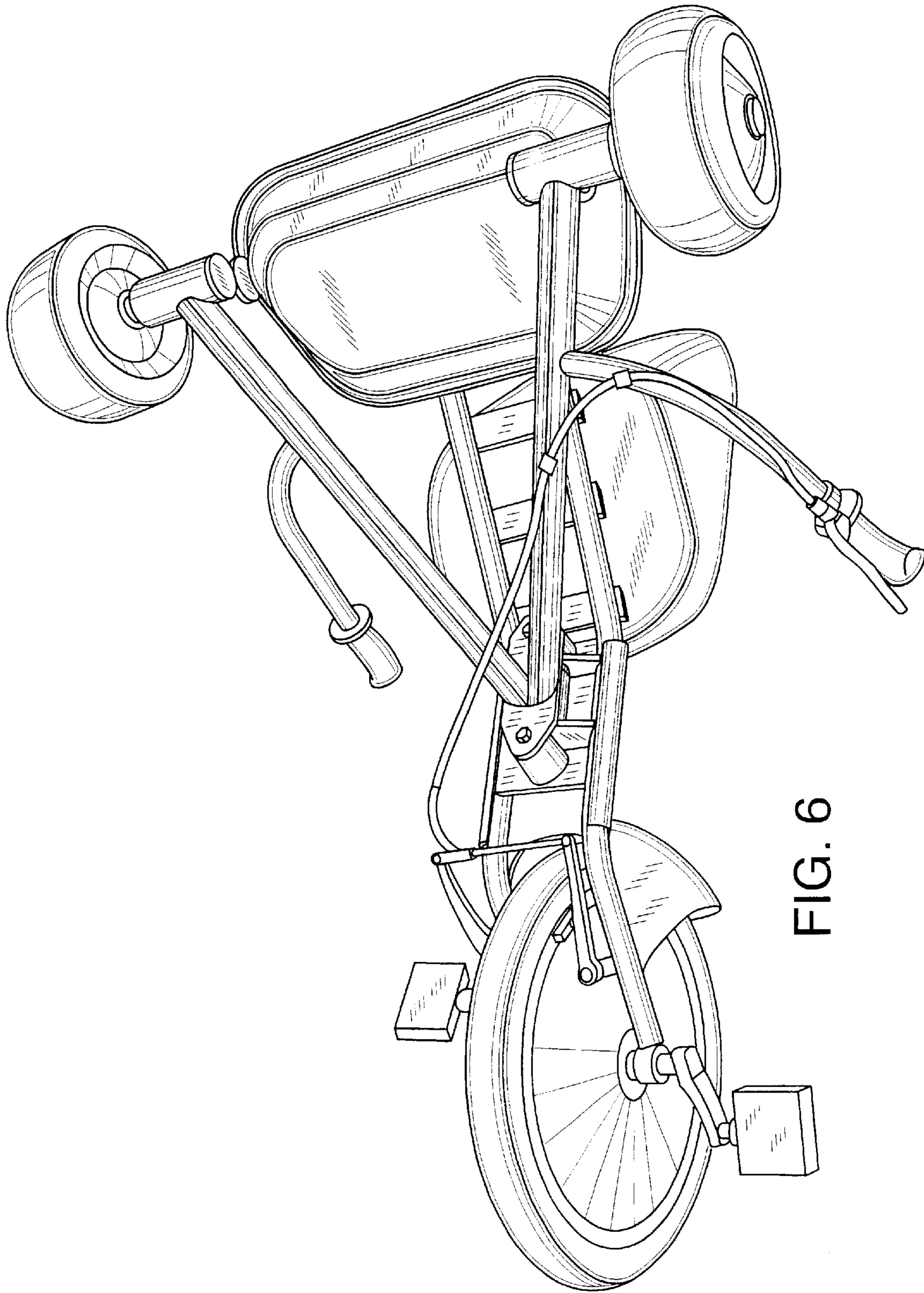


FIG. 6