

US00D518390S

(12) **United States Design Patent**
Poffenberger

(10) **Patent No.:** **US D518,390 S**

(45) **Date of Patent:** **** Apr. 4, 2006**

(54) **GAME SCOREBOARD**

(76) Inventor: **Douglas Poffenberger**, 4471 Estate Ct.,
Mason, OH (US) 45040

(**) Term: **14 Years**

(21) Appl. No.: **29/232,599**

(22) Filed: **Jun. 21, 2005**

(51) **LOC (8) Cl.** **21-01**

(52) **U.S. Cl.** **D10/46.1**

(58) **Field of Classification Search** D10/46,
D10/46.1; D21/324, 799; 116/222-225, 279,
116/280, 200, DIG. 36; 235/90; 273/317.1,
273/317.3, 317.6, DIG. 26; 40/606.01, 606.16,
40/607.01, 617, 618

See application file for complete search history.

(56) **References Cited**

U.S. PATENT DOCUMENTS

3,220,127	A	*	11/1965	Wilson	40/388
3,246,411	A	*	4/1966	Aafedt	116/222
3,868,671	A	*	2/1975	Maguire et al.	340/323 R
3,922,805	A	*	12/1975	Krug	40/533
4,185,583	A	*	1/1980	Stamm	116/225
D264,445	S	*	5/1982	Spivey	D10/46.1
D300,435	S	*	3/1989	Harris et al.	D20/19
D304,844	S	*	11/1989	Smith	D10/46.1
4,905,624	A	*	3/1990	Krolzick	116/173
D318,628	S	*	7/1991	Ralston	D10/46.1

5,294,913	A	*	3/1994	Mower et al.	340/323 R
5,329,874	A	*	7/1994	Posey	116/222
D418,431	S	*	1/2000	Niksich	D10/46.1

* cited by examiner

Primary Examiner—Prabhakar Deshmukh

(74) *Attorney, Agent, or Firm*—Wood, Herron & Evans,
LLP

(57) **CLAIM**

The ornamental design for a “game scoreboard,” as shown
and described.

DESCRIPTION

FIG. 1 is a perspective view of a game scoreboard showing
my new design;

FIG. 2 is an enlarged scale perspective view thereof, with the
bottom upright post being broken away for ease of illustration;

FIG. 3 is a front elevational view thereof;

FIG. 4 is a right side elevational view thereof;

FIG. 5 is a left side elevational view thereof;

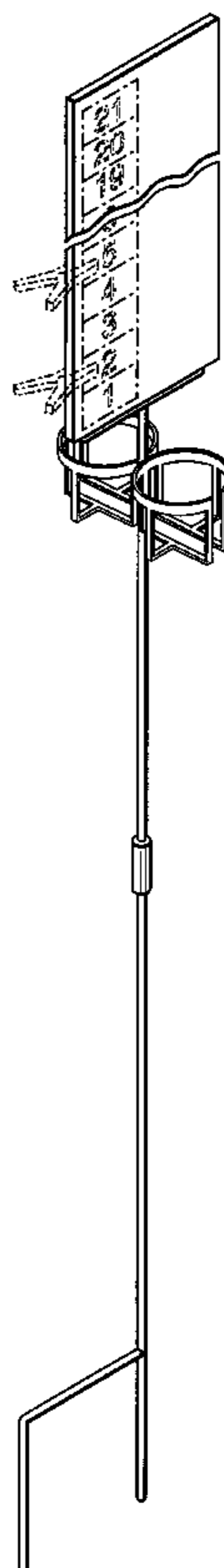
FIG. 6 is a rear elevational view thereof;

FIG. 7 is a top plan view thereof; and,

FIG. 8 is a bottom plan view thereof.

It is understood that the top display board discloses an
undetermined height. The broken lines are for illustrative
purpose only and form no part of the claimed design.

1 Claim, 4 Drawing Sheets



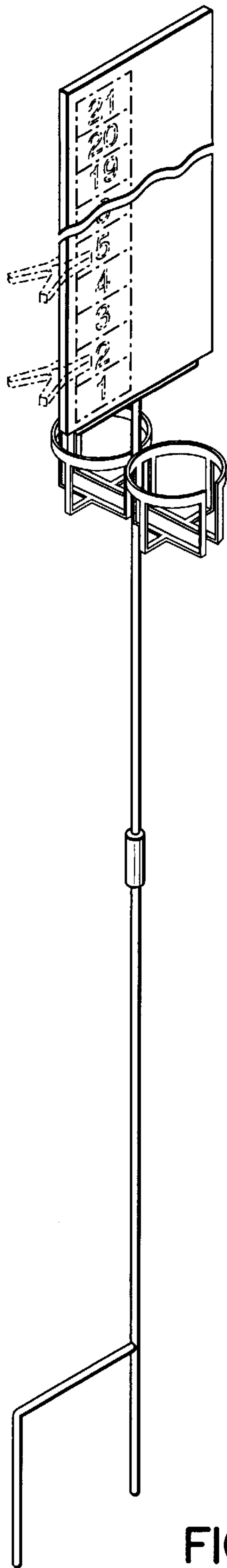


FIG. 1

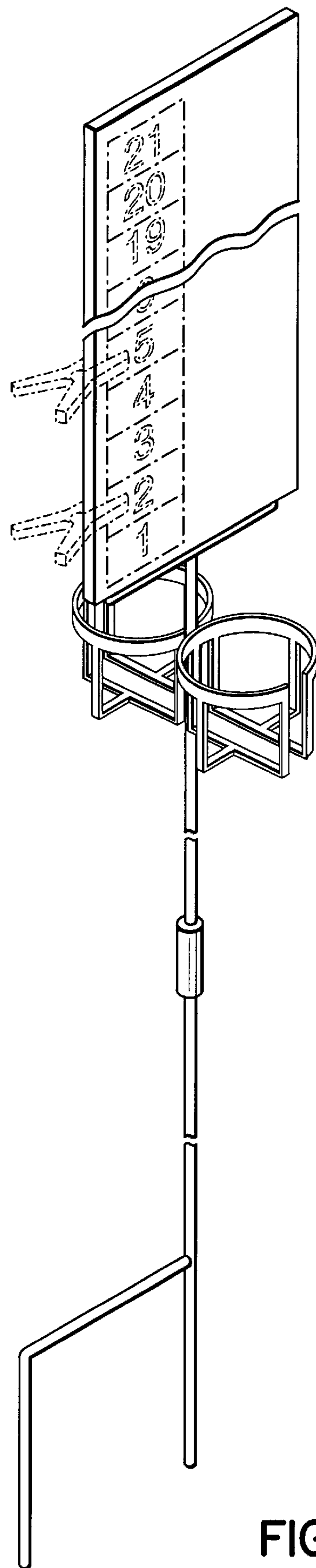


FIG. 2

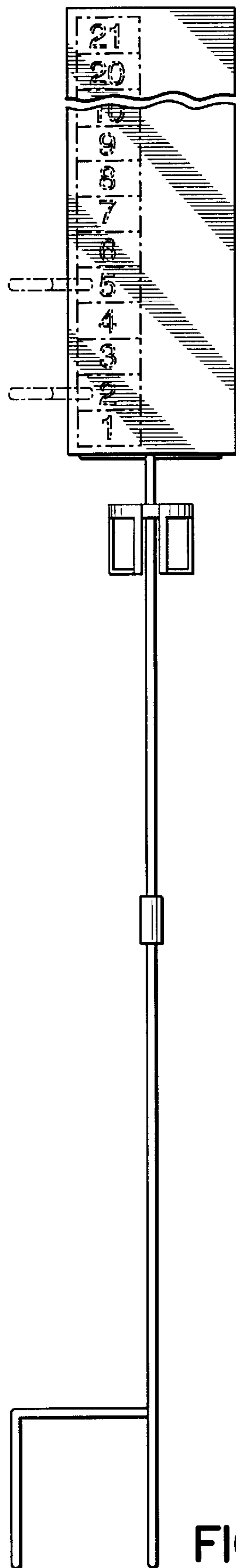


FIG. 3

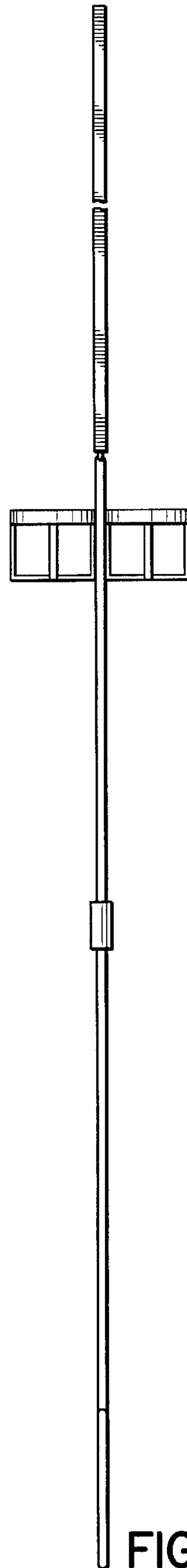


FIG. 4

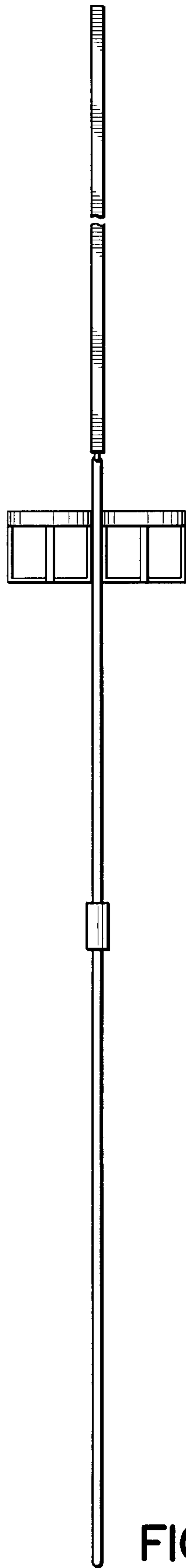


FIG. 5

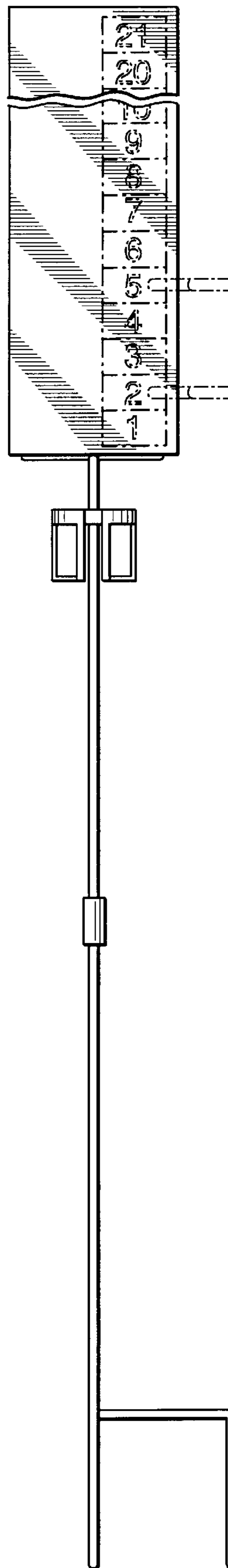


FIG. 6

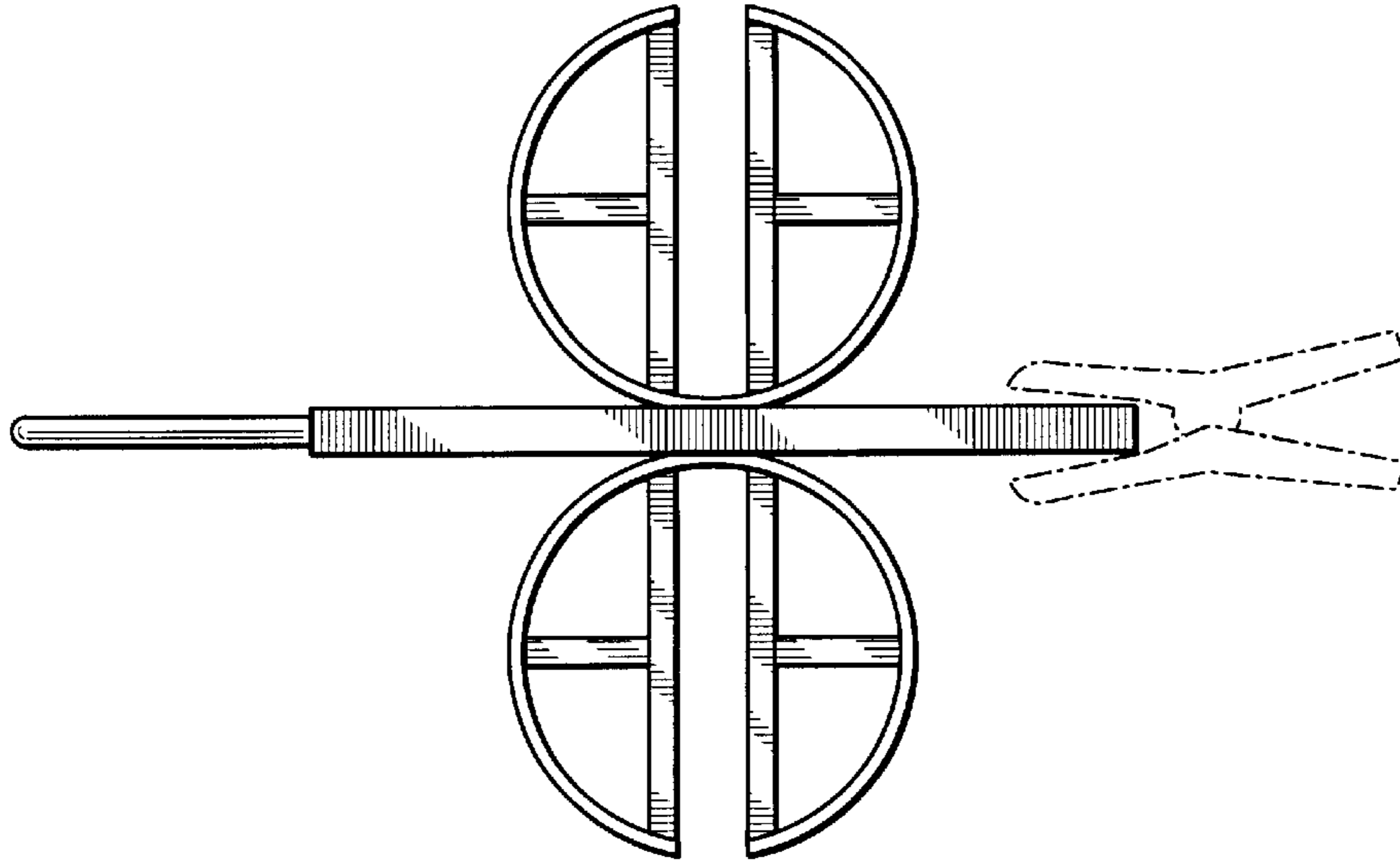


FIG. 7

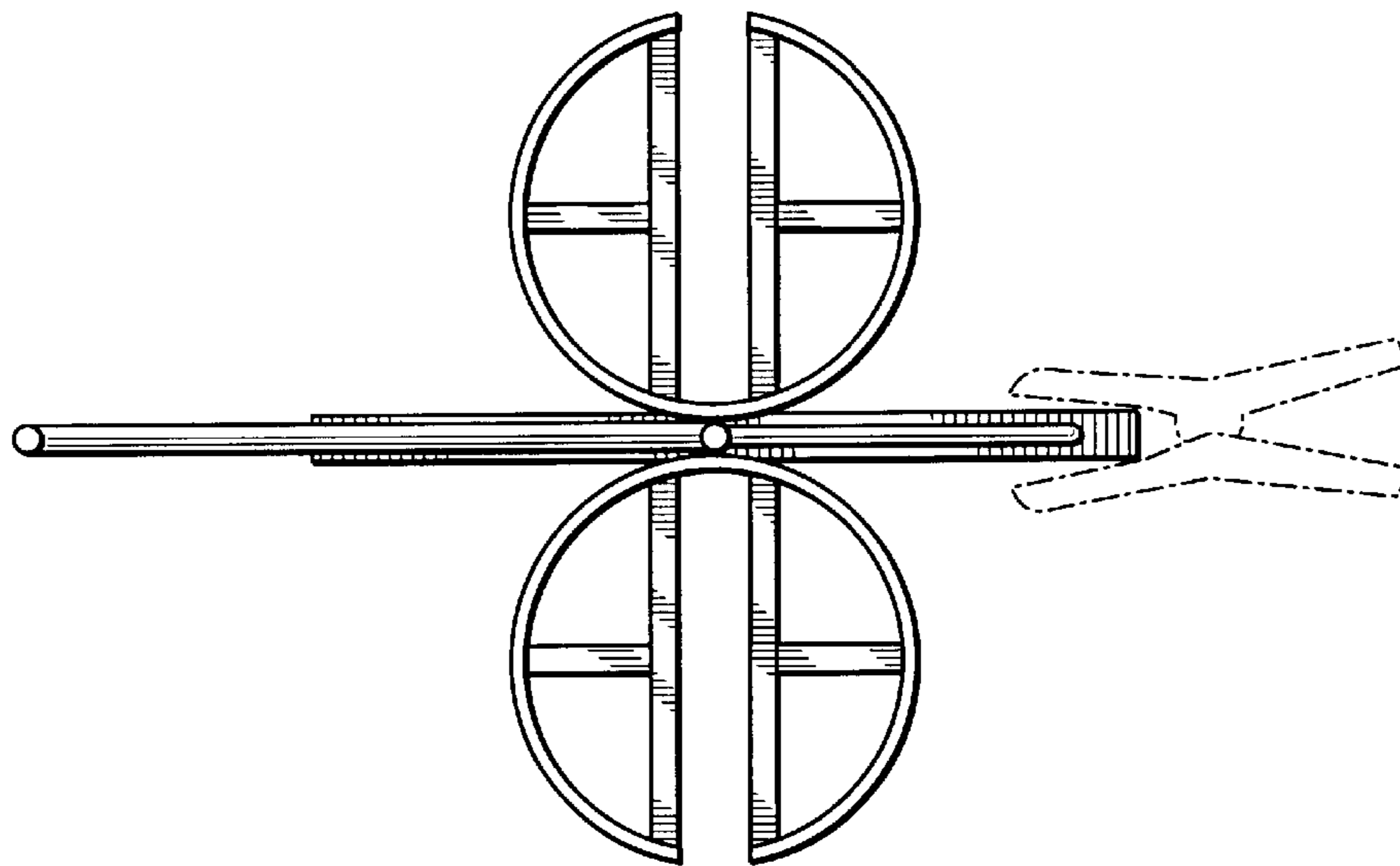


FIG. 8