



US00D518373S

(12) **United States Design Patent**
Schulthess

(10) **Patent No.:** **US D518,373 S**

(45) **Date of Patent:** **** Apr. 4, 2006**

(54) **VENT FOR FOOD PACKAGING**

D474,997 S * 5/2003 Berzack D11/222
D492,923 S * 7/2004 Whitehead D12/204

(75) Inventor: **Markus Schulthess**, Uster (CH)

* cited by examiner

(73) Assignee: **Wipf AG**, Volketswil (CH)

Primary Examiner—Robert M. Spear
Assistant Examiner—Susan Bennett Hattan

(**) Term: **14 Years**

(74) *Attorney, Agent, or Firm*—Fross Zelnick Lehrman & Zissu, P.C.; David I. Greenbaum, Esq.

(21) Appl. No.: **29/197,664**

(22) Filed: **Jan. 15, 2004**

(57) **CLAIM**

The ornamental design for a vent for food packaging, as shown and described.

(51) **LOC (8) Cl.** **09-07**

DESCRIPTION

(52) **U.S. Cl.** **D9/434**

(58) **Field of Classification Search** D9/454,
D9/453, 452, 450, 449, 447, 445, 435, 434;
D12/207, 204; D11/75, 40, 222; 222/548;
220/288, 259.4, 259.3, 253
See application file for complete search history.

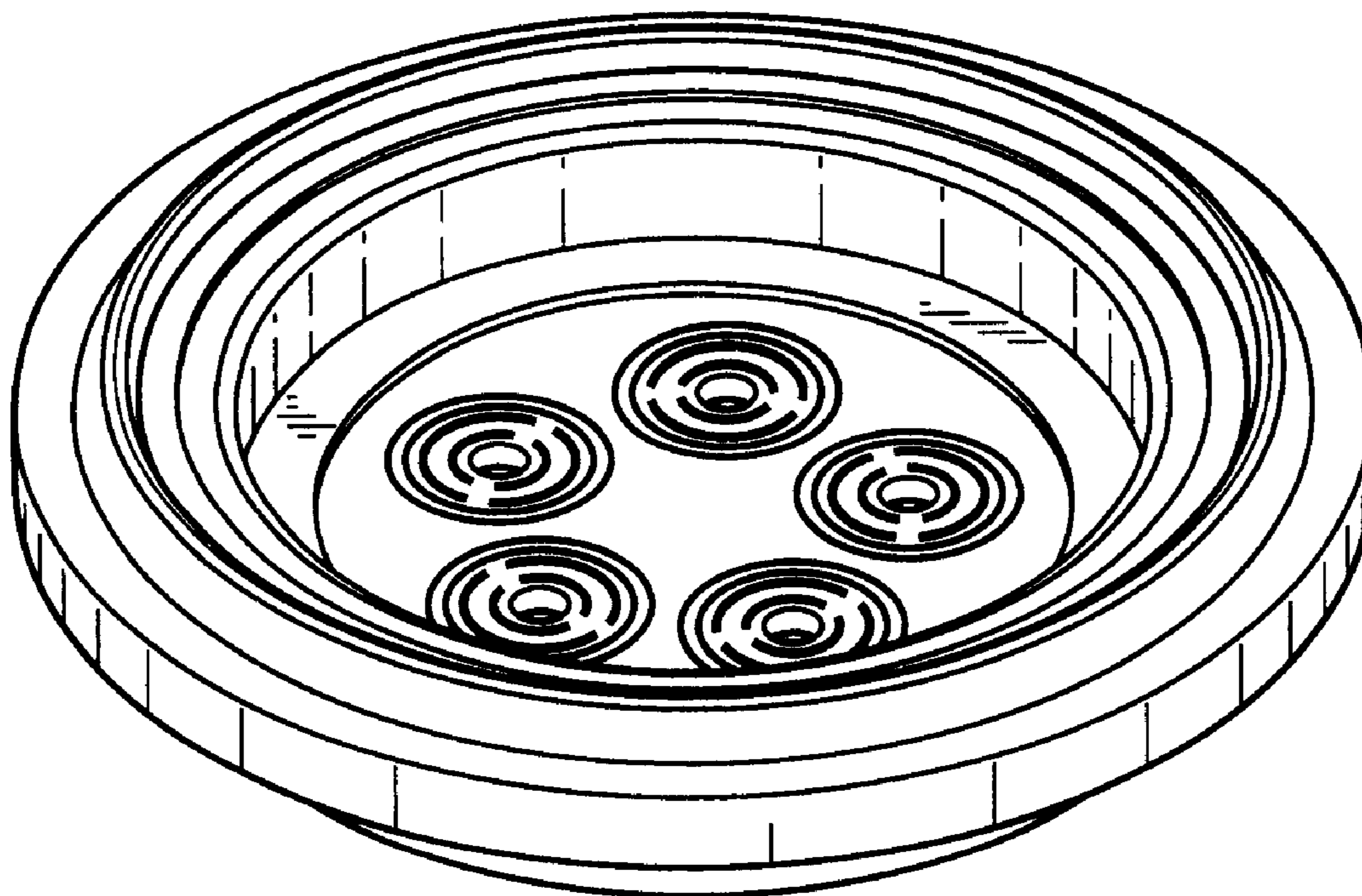
FIG. 1 is a top perspective view of a vent for food packaging showing the new design;
FIG. 2 is a bottom perspective view of a vent for food packaging shown in FIG. 1;
FIG. 3 is a top view of the vent for food packaging shown in FIG. 1;
FIG. 4 is a side view of the vent for food packaging shown in FIG. 1; and,
FIG. 5 is a bottom view of the vent for food packaging shown in FIG. 1.

(56) **References Cited**

U.S. PATENT DOCUMENTS

D384,021 S * 9/1997 Hoxie D12/204

1 Claim, 2 Drawing Sheets



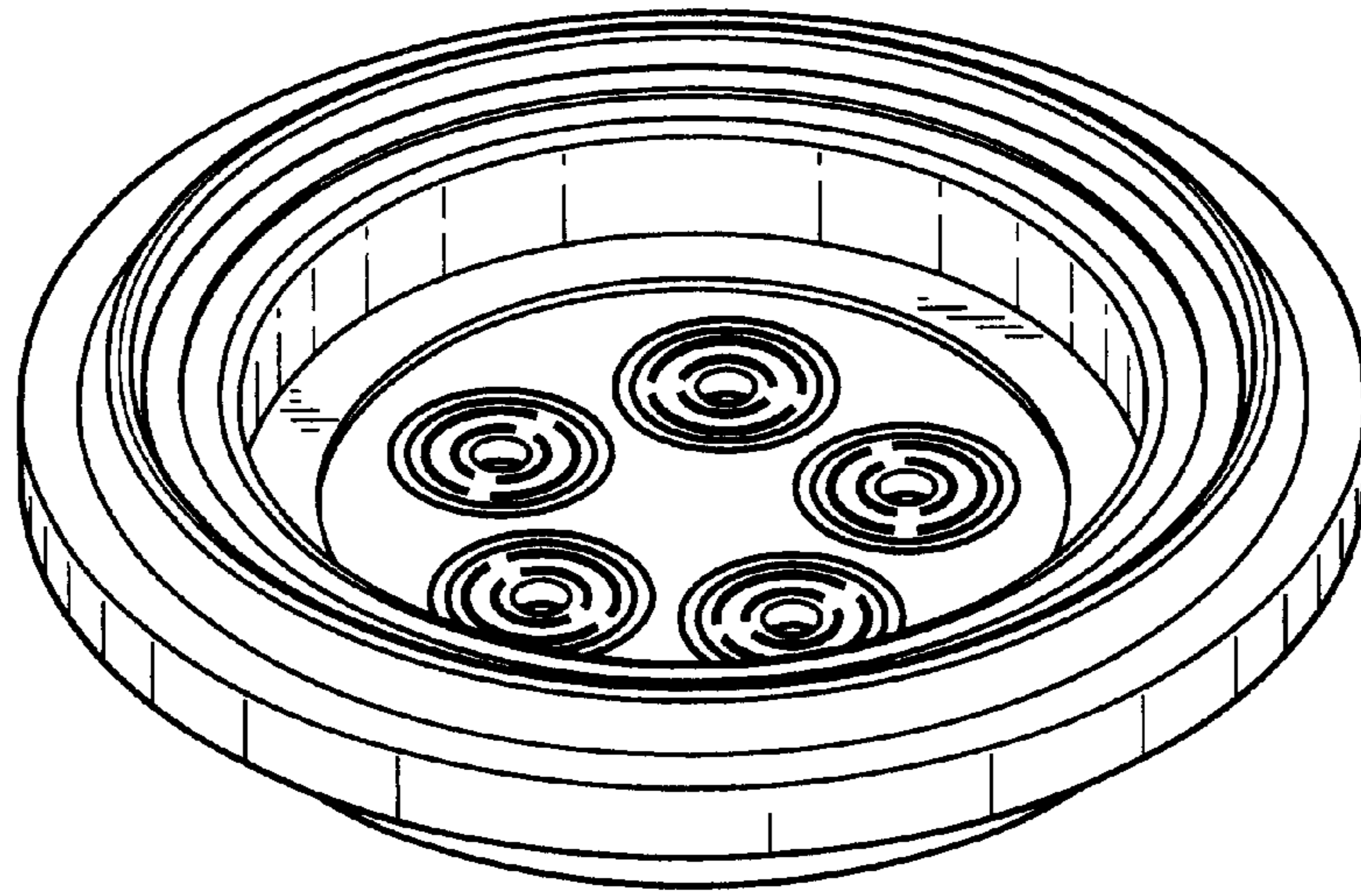


Fig. 1

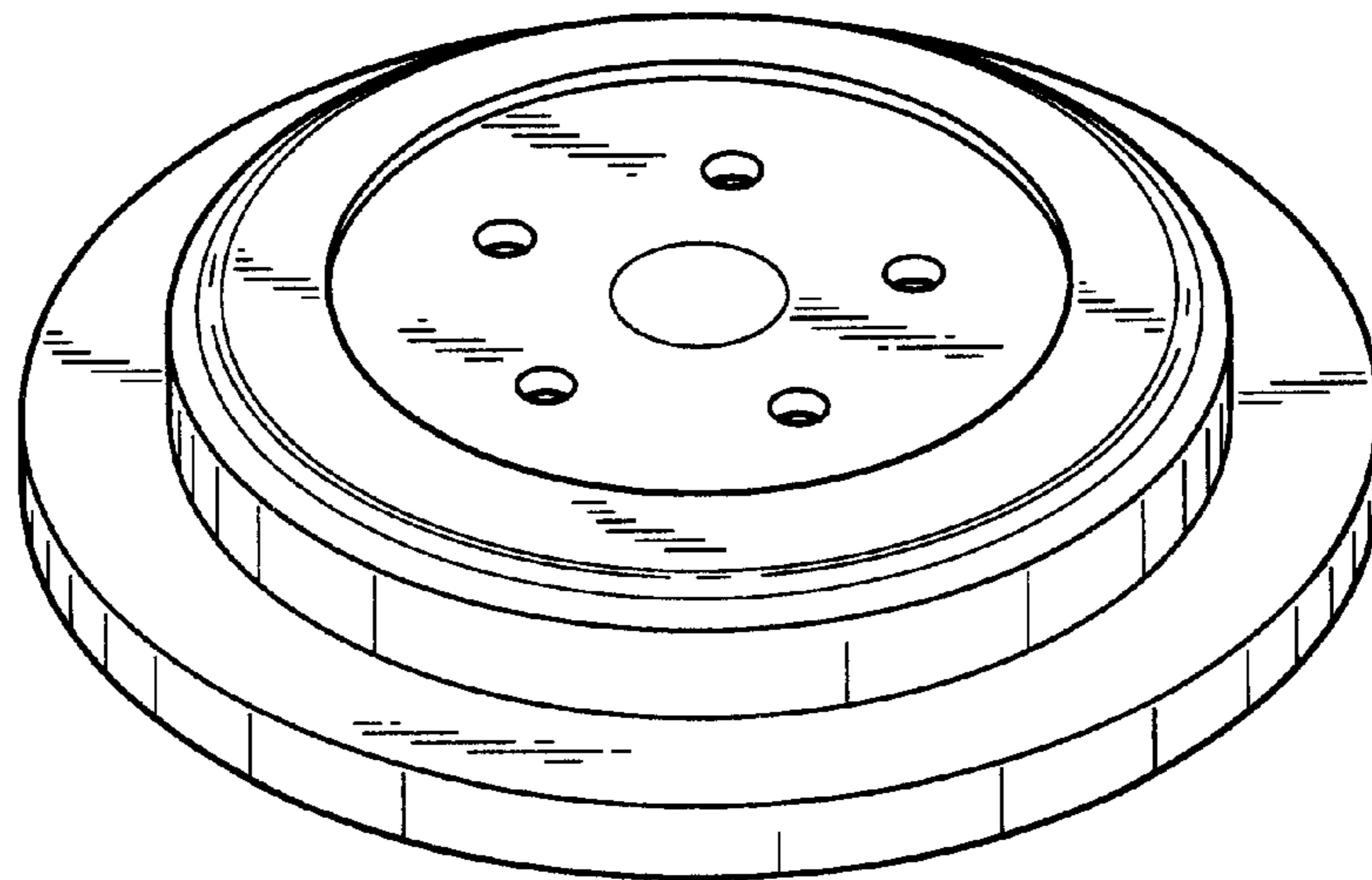


Fig. 2

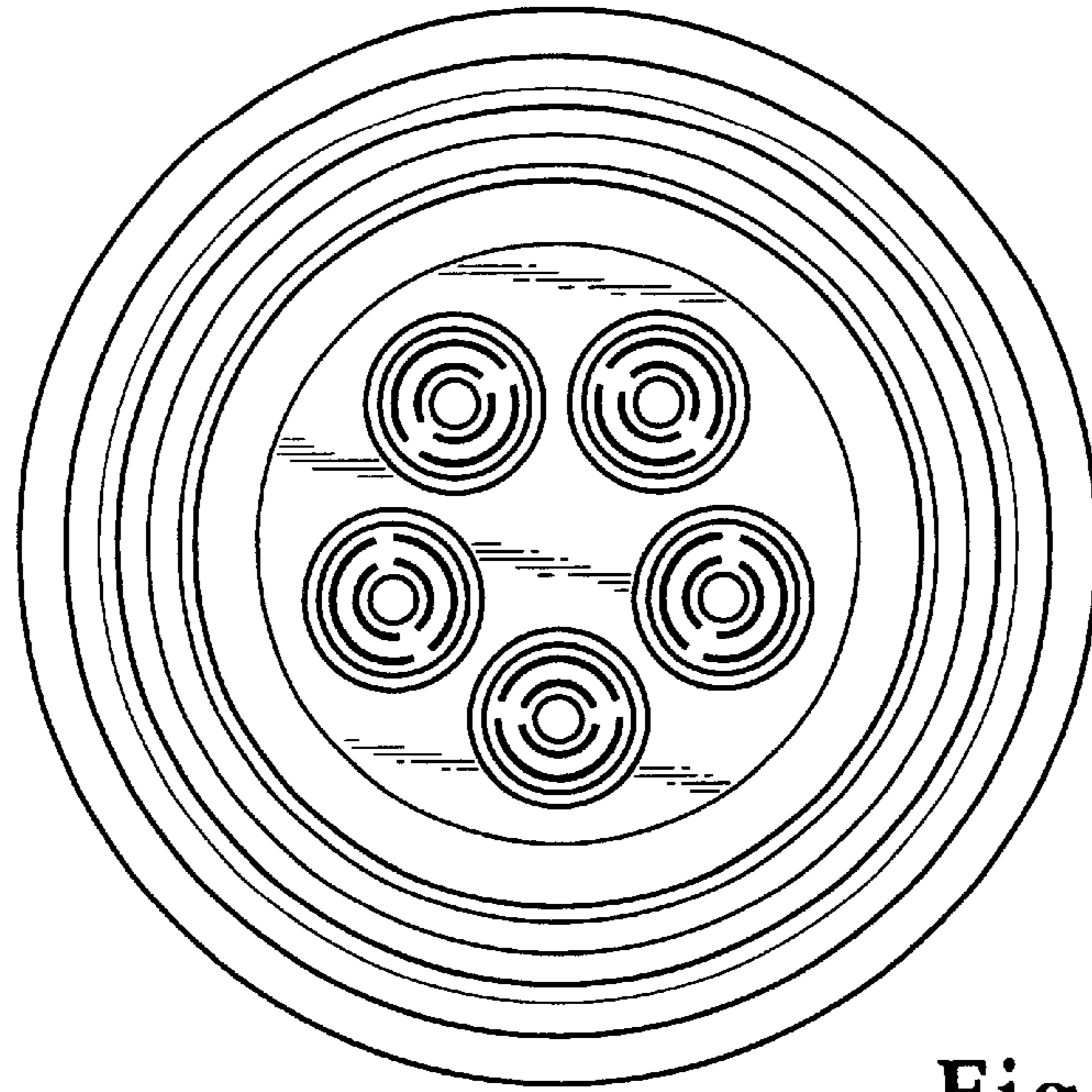


Fig. 3

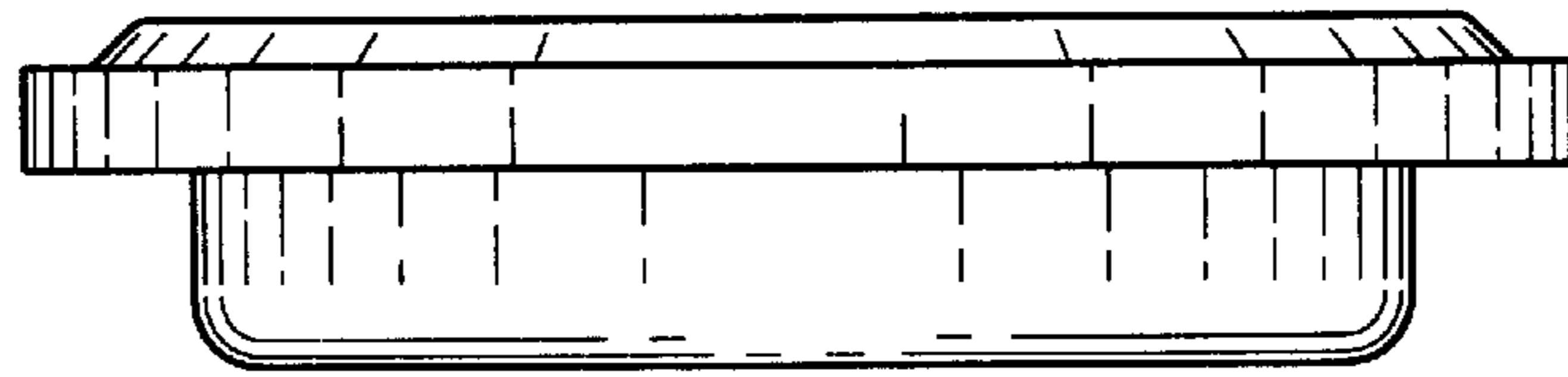


Fig. 4

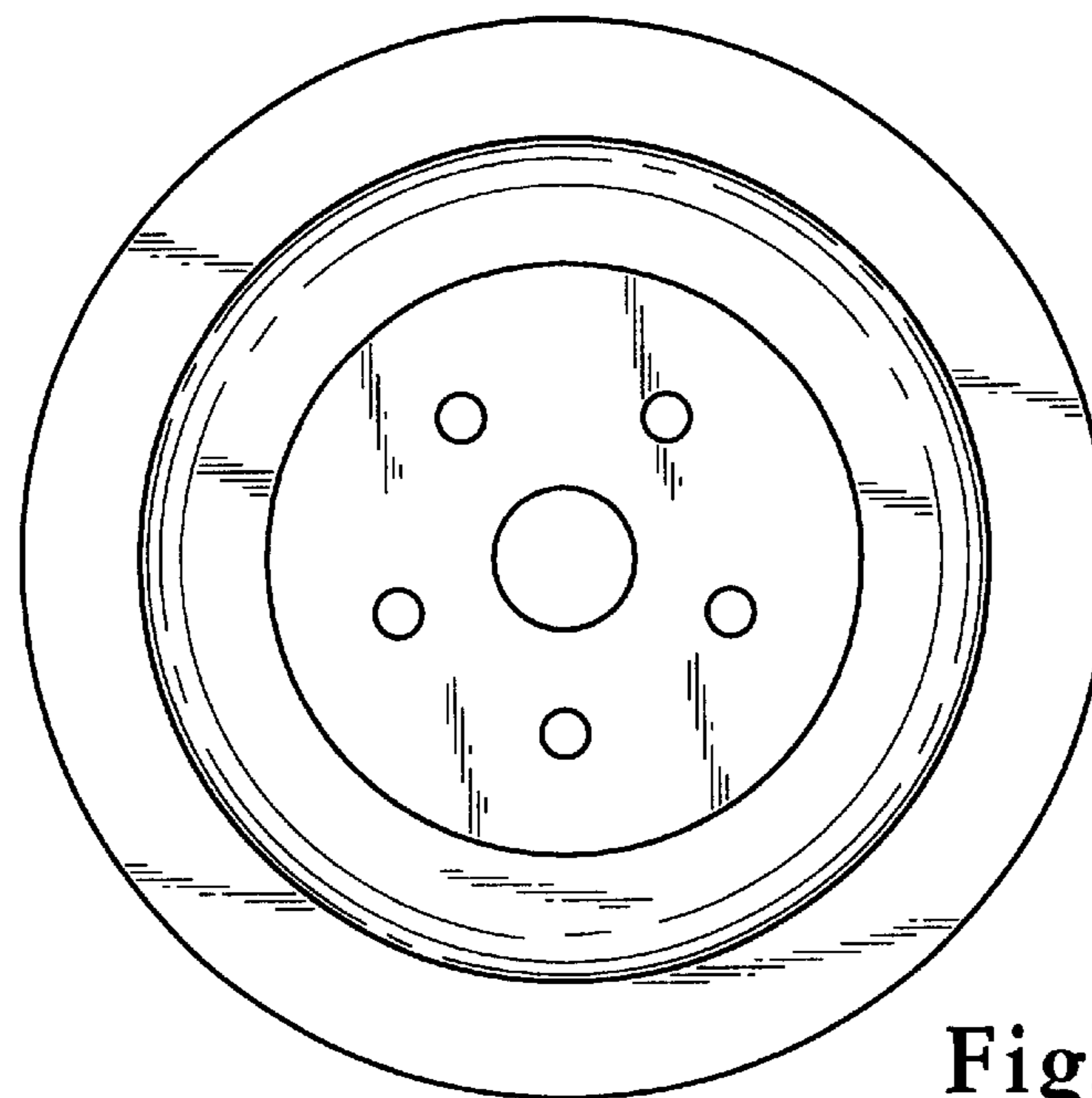


Fig. 5