



US00D518372S

(12) **United States Design Patent**
Burke et al.

(10) **Patent No.:** **US D518,372 S**

(45) **Date of Patent:** **** Apr. 4, 2006**

- (54) **ADAPTER CLAMP FOR AEROSOL CAN**
- (75) Inventors: **Terrence R. Burke**, Kirkwood, MO (US); **Lee M. White**, Manchester, MO (US); **Jonathan D. Berger**, St. Louis, MO (US)
- (73) Assignee: **Whitmire Micro-Gen Research Laboratories, Inc.**, St. Louis, MO (US)

D315,781 S	*	3/1991	Hart et al.	D9/434
5,003,848 A		4/1991	Ceccucci, Jr.	
5,161,436 A		11/1992	Stevenson	
5,213,016 A		5/1993	Kah, Jr.	
5,329,726 A		7/1994	Thorne et al.	
5,735,181 A		4/1998	Anderson	
6,003,266 A		12/1999	Woodruff	
D418,413 S	*	1/2000	Stern	D9/434
6,370,811 B1		4/2002	Masterson	
D474,098 S	*	5/2003	Weinerman et al.	D8/330

(**) Term: **14 Years**

* cited by examiner

(21) Appl. No.: **29/191,283**

Primary Examiner—Robert M. Spear

(22) Filed: **Oct. 3, 2003**

Assistant Examiner—Susan Bennett Hattan

(51) **LOC (8) Cl.** **09-07**

(74) *Attorney, Agent, or Firm*—Senniger Powers

(52) **U.S. Cl.** **D9/434**

(58) **Field of Classification Search** D9/443,
D9/435, 434; D8/499, 354, 349, 344, 343,
D8/337, 331, 330; 70/54, 52, 51, 460, 431,
70/258, 19, 158, 1; 292/258, 256, 256.65;
248/552, 551, 315, 313, 312, 309.1

(57) **CLAIM**

The ornamental design for an adapter clamp for aerosol can, as shown and described.

See application file for complete search history.

DESCRIPTION

FIG. 1 is a side elevational view of the adapter clamp for aerosol can showing our new design; FIG. 2 is a top plan view thereof; FIG. 3 is a bottom plan view thereof; FIG. 4 is an end elevational view thereof; and, FIG. 5 is a perspective view thereof. The broken lines in the drawings are for illustrative purposes only and form no part of the claimed design.

(56) **References Cited**

U.S. PATENT DOCUMENTS

3,785,225 A	1/1974	McKenna et al.	
3,885,477 A	5/1975	Shook	
4,023,761 A	* 5/1977	Molis	248/313
4,059,033 A	11/1977	Johnson	
D283,484 S	* 4/1986	Aoki	D8/331

1 Claim, 3 Drawing Sheets

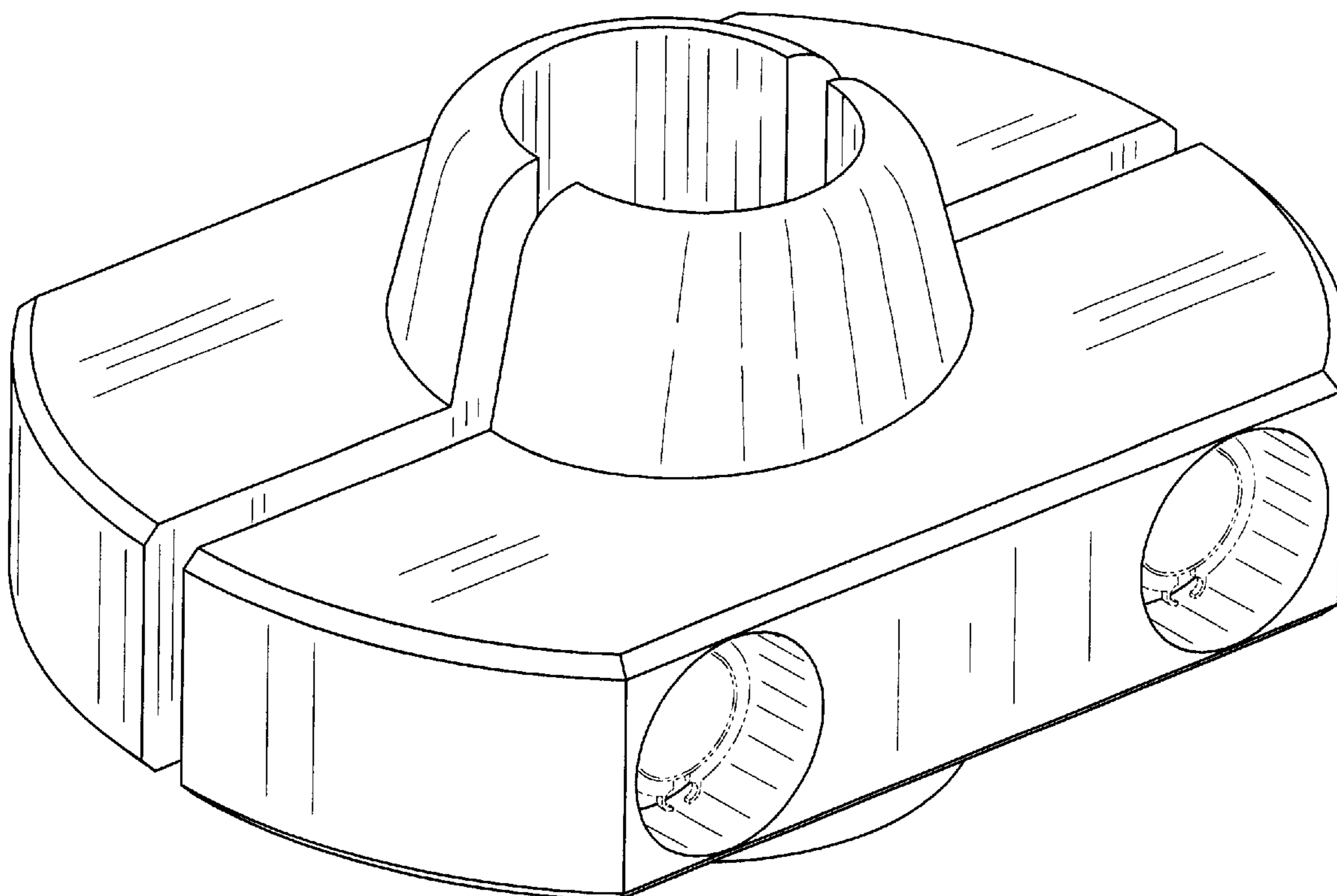


FIG. 1

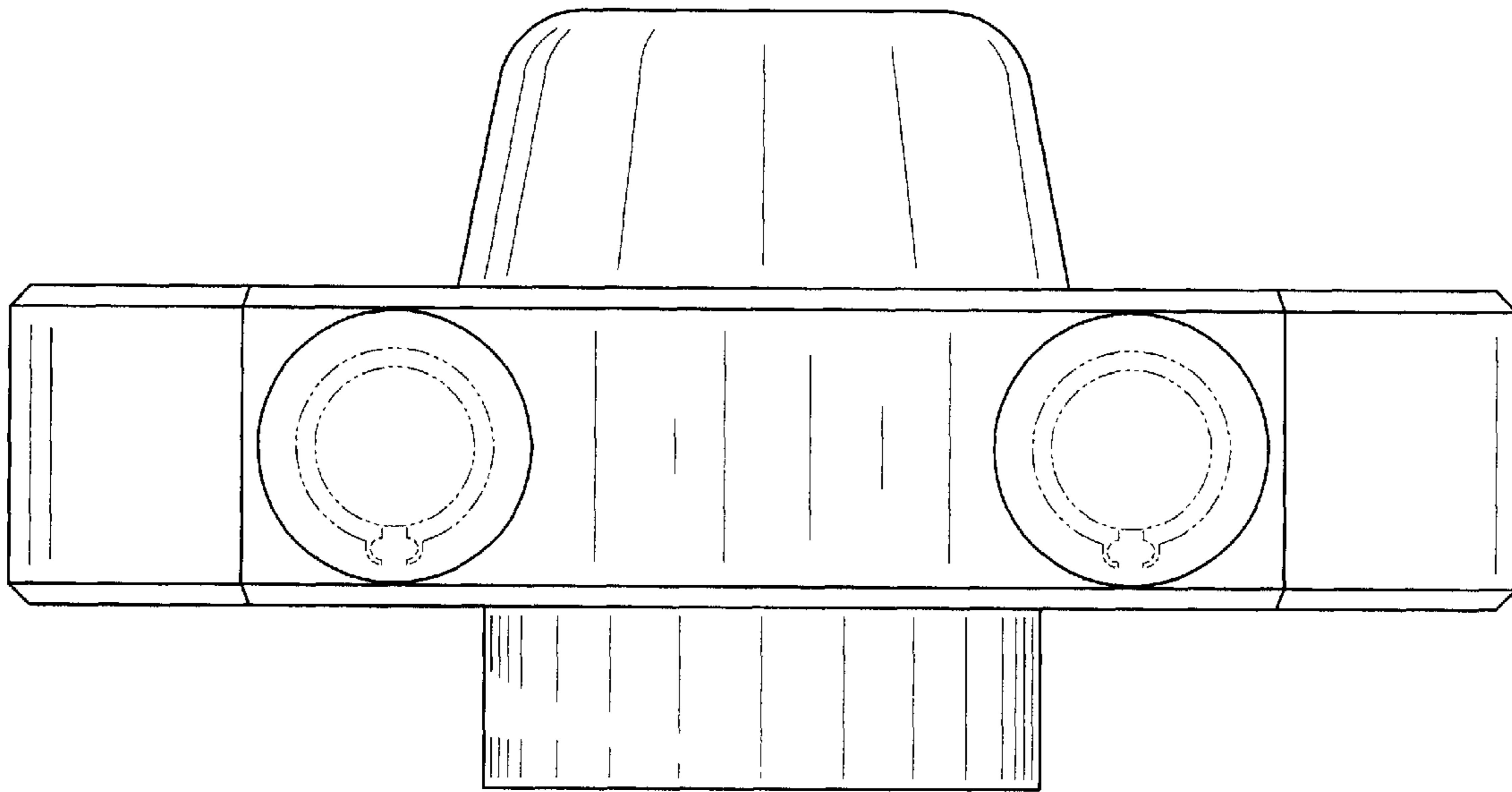


FIG. 2

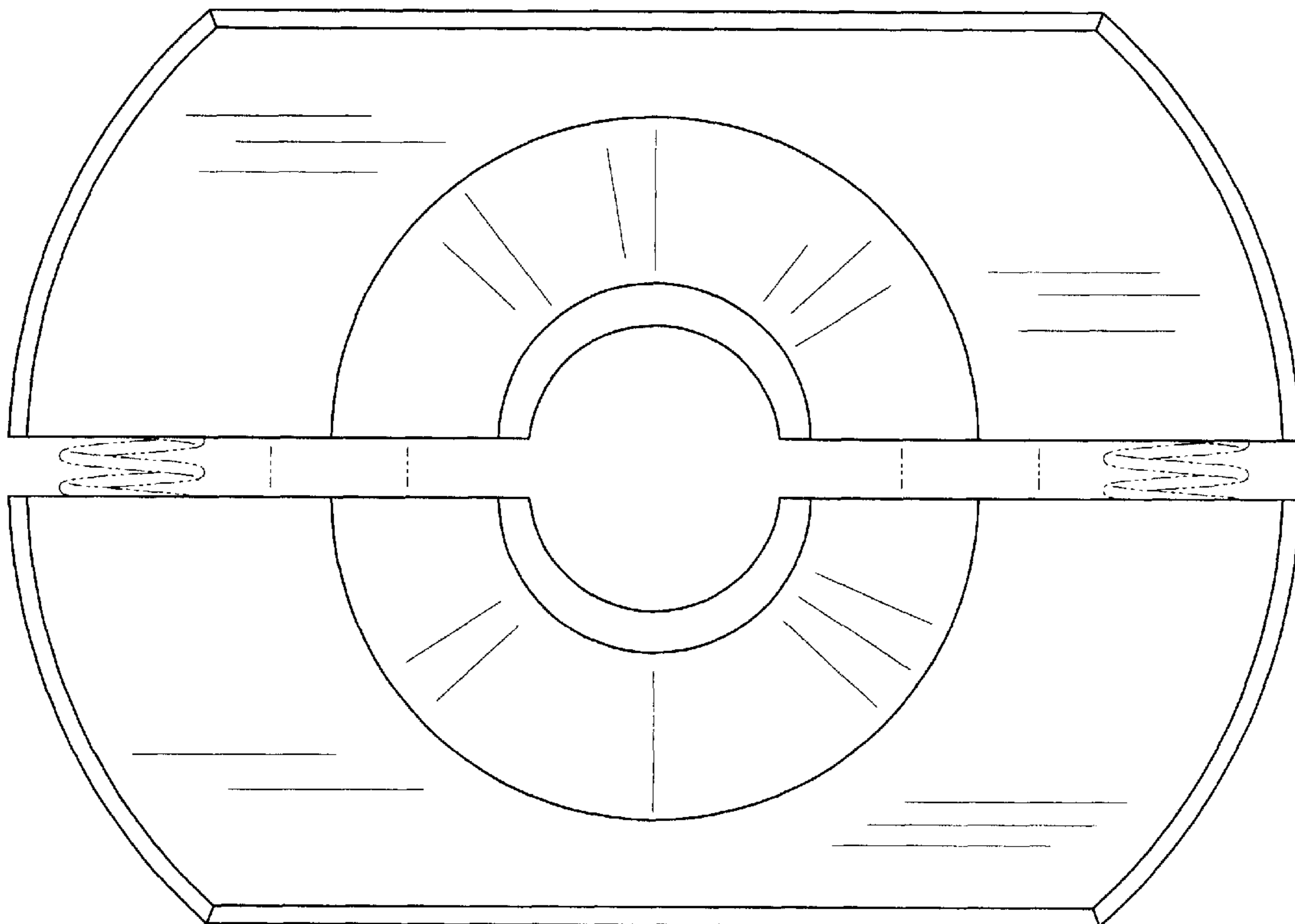


FIG. 3

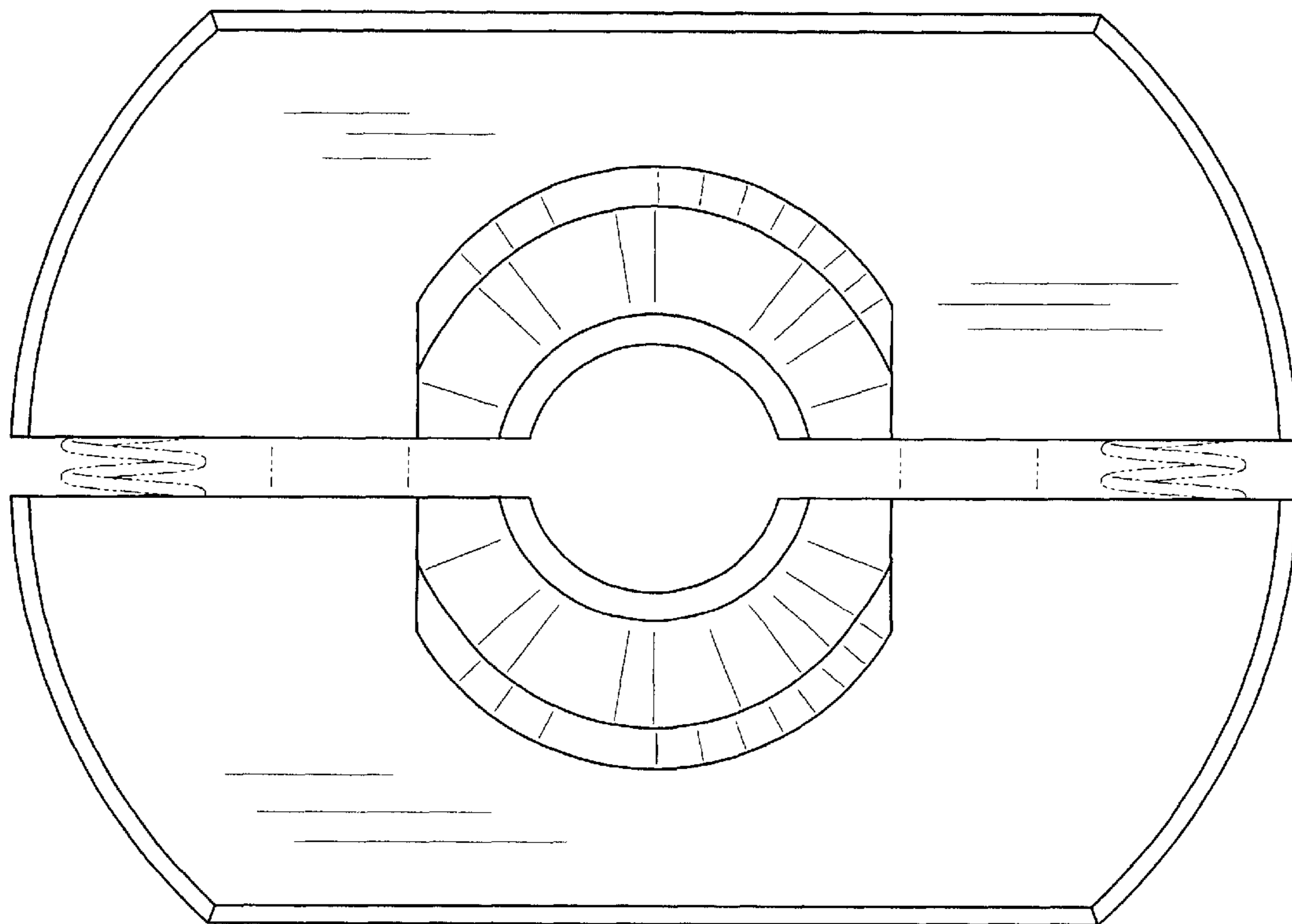


FIG. 4

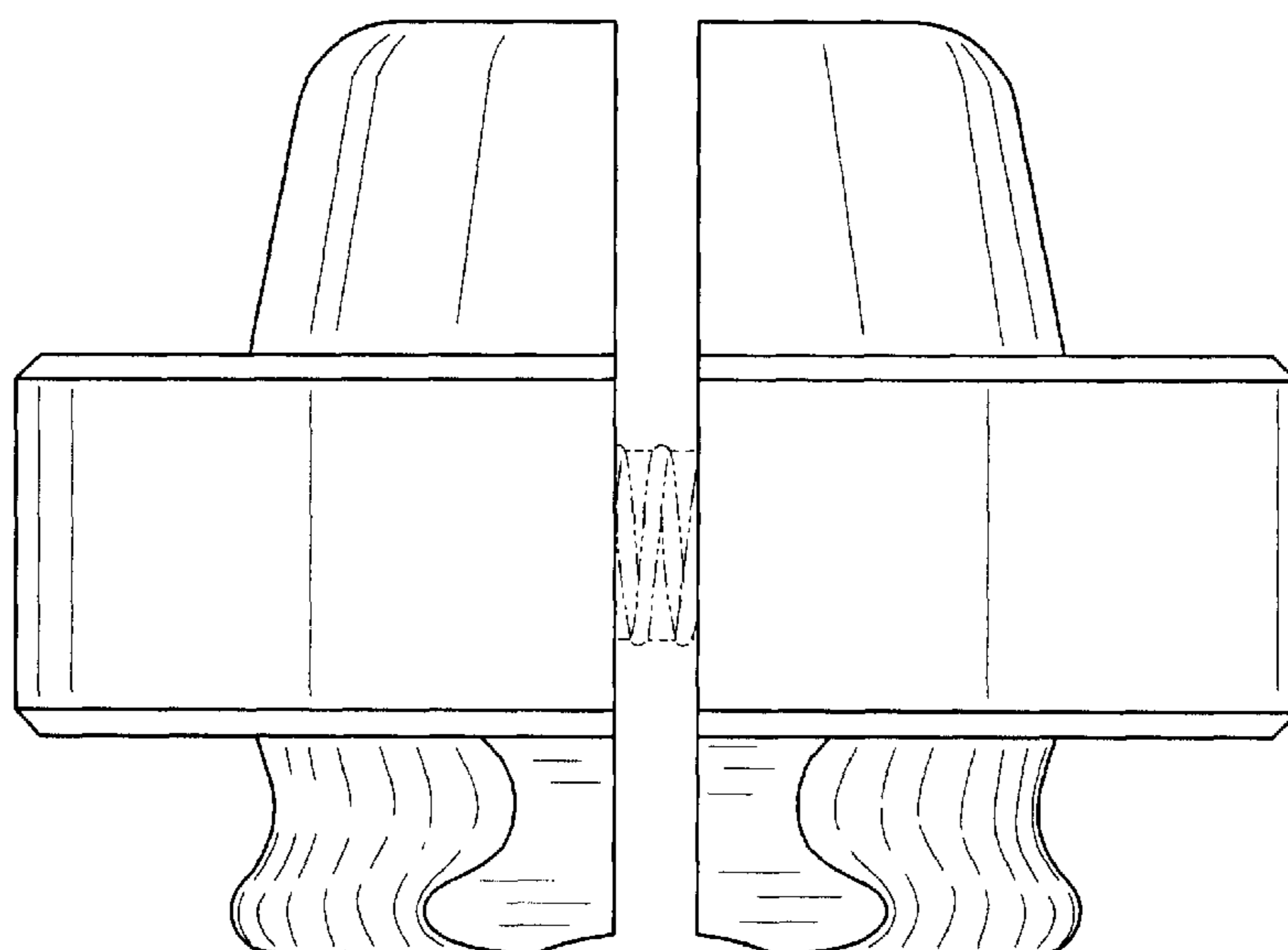


FIG. 5

