



US00D518367S

(12) **United States Design Patent**
Hay

(10) **Patent No.:** **US D518,367 S**

(45) **Date of Patent:** **** Apr. 4, 2006**

(54) **CLAMPING MEANS**

(75) Inventor: **Christopher James Mccaughan Hay**,
Causeway Bay (HK)

(73) Assignee: **Hayco Manufacturing Limited**,
Causeway Bay (HK)

(**) Term: **14 Years**

(21) Appl. No.: **29/223,172**

(22) Filed: **Feb. 9, 2005**

(51) **LOC (8) Cl.** **08-08**

(52) **U.S. Cl.** **D8/395**

(58) **Field of Classification Search** D8/356,
D8/371, 394-396, 499, 53, 100, 365; D12/51;
D19/65, 90; D28/39, 40, 42; 24/546, 563,
24/327, 334, DIG. 8, DIG. 9, DIG. 13, DIG. 28;
248/74.2, 300, 301, 316.7, 229.26

See application file for complete search history.

(56) **References Cited**

U.S. PATENT DOCUMENTS

109,563 A	*	11/1870	Walton	24/509
D316,333 S	*	4/1991	Maki	D6/328
D322,749 S	*	12/1991	Snite	D8/395
D328,418 S	*	8/1992	Becklund	D8/373
D391,843 S	*	3/1998	Glickman et al.	D8/382
D447,564 S	*	9/2001	Stewart, Jr.	D24/143

* cited by examiner

Primary Examiner—Catherine R. Oliver

Assistant Examiner—John Windmuller

(74) *Attorney, Agent, or Firm*—Smith-Hill and Bedell

(57) **CLAIM**

The ornamental design for “clamping means,” as shown and described.

DESCRIPTION

FIG. 1 is a front perspective view of a clamping means showing a first embodiment of my new design;

FIG. 2 is a top plan view thereof;

FIG. 3 is a bottom plan view thereof;

FIG. 4 is a right side elevational view thereof;

FIG. 5 is a left side elevational view thereof;

FIG. 6 is a front elevational view thereof;

FIG. 7 is a rear elevational view thereof;

FIG. 8 is a front perspective view of a clamping means showing a second embodiment of my new design;

FIG. 9 is a top plan view thereof;

FIG. 10 is a bottom plan view thereof;

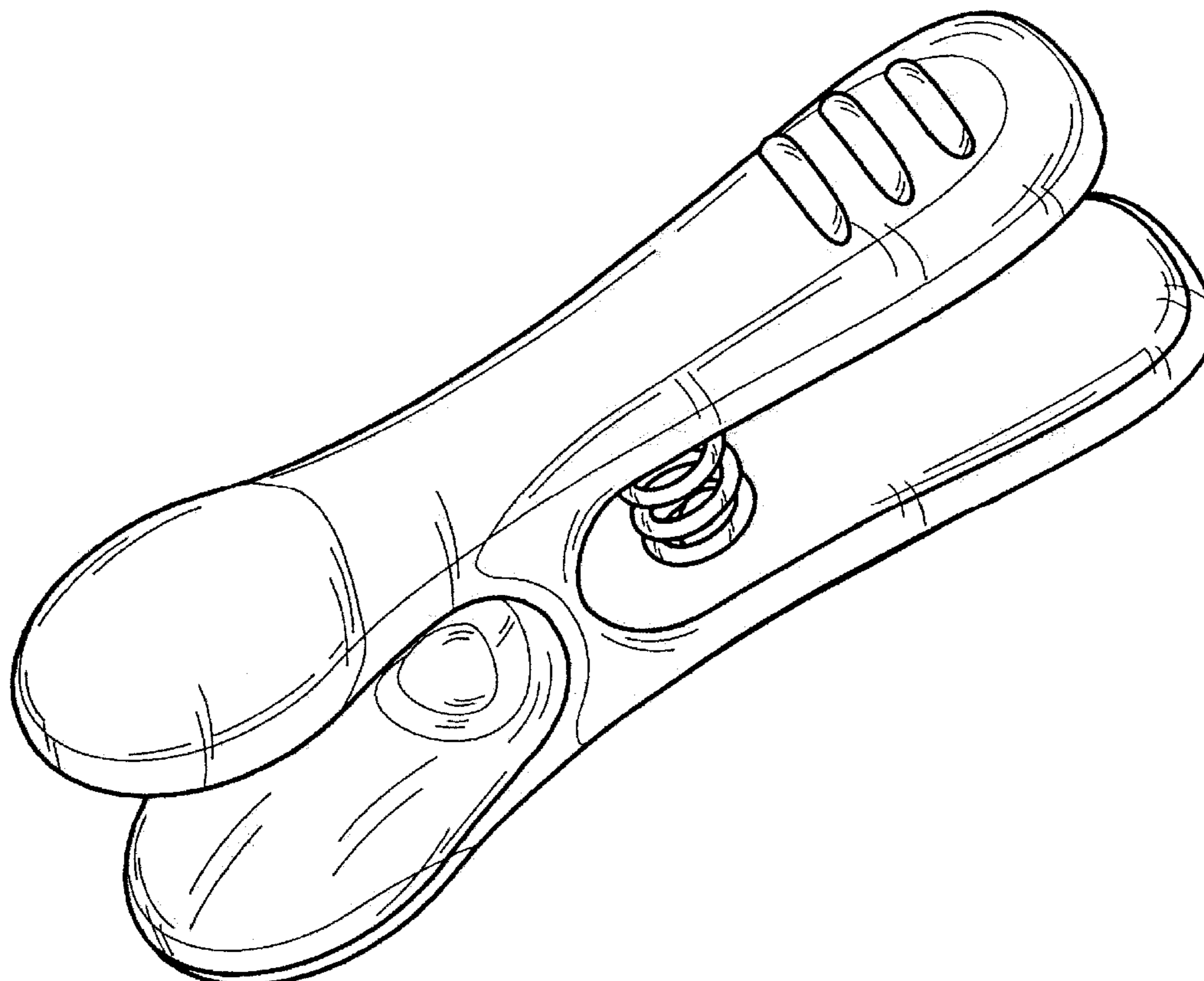
FIG. 11 is a right side elevational view thereof;

FIG. 12 is a left side elevational view thereof;

FIG. 13 is a front elevational view thereof; and,

FIG. 14 is a rear elevational view thereof.

1 Claim, 14 Drawing Sheets



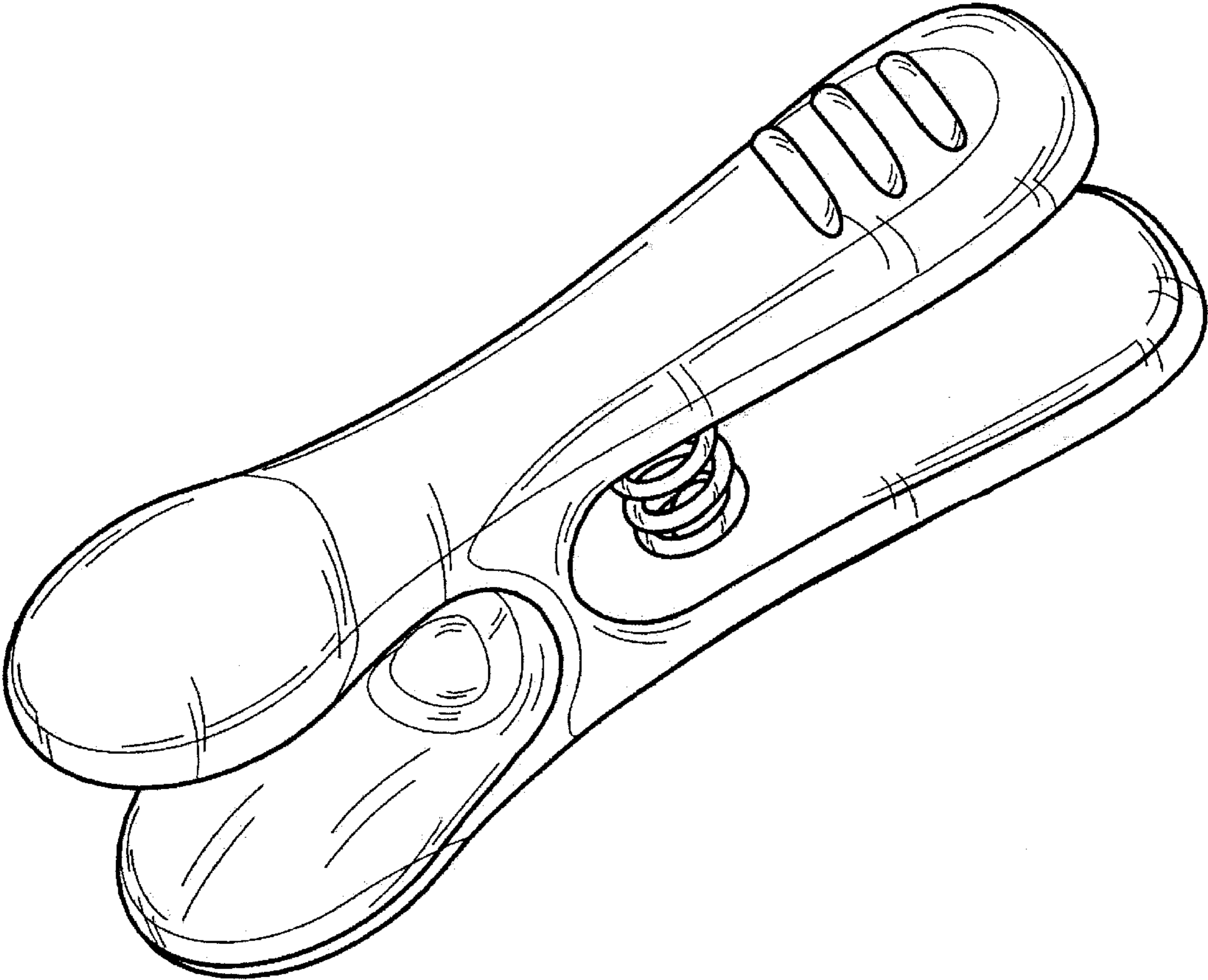


FIG. 1

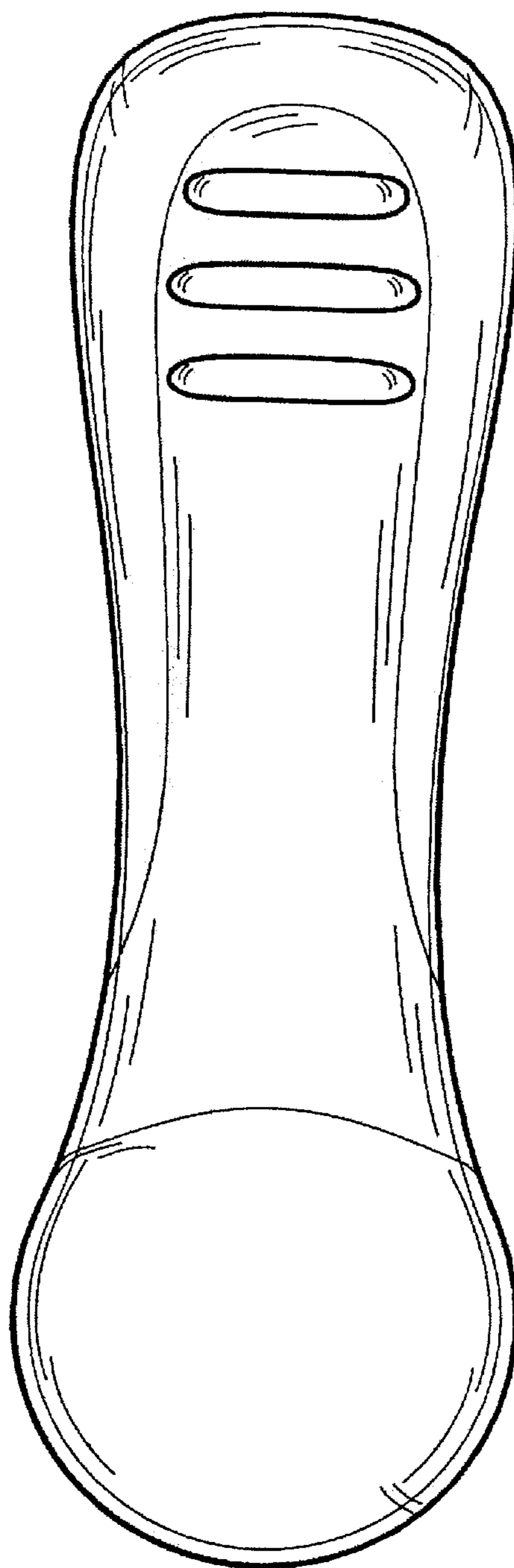


FIG. 2

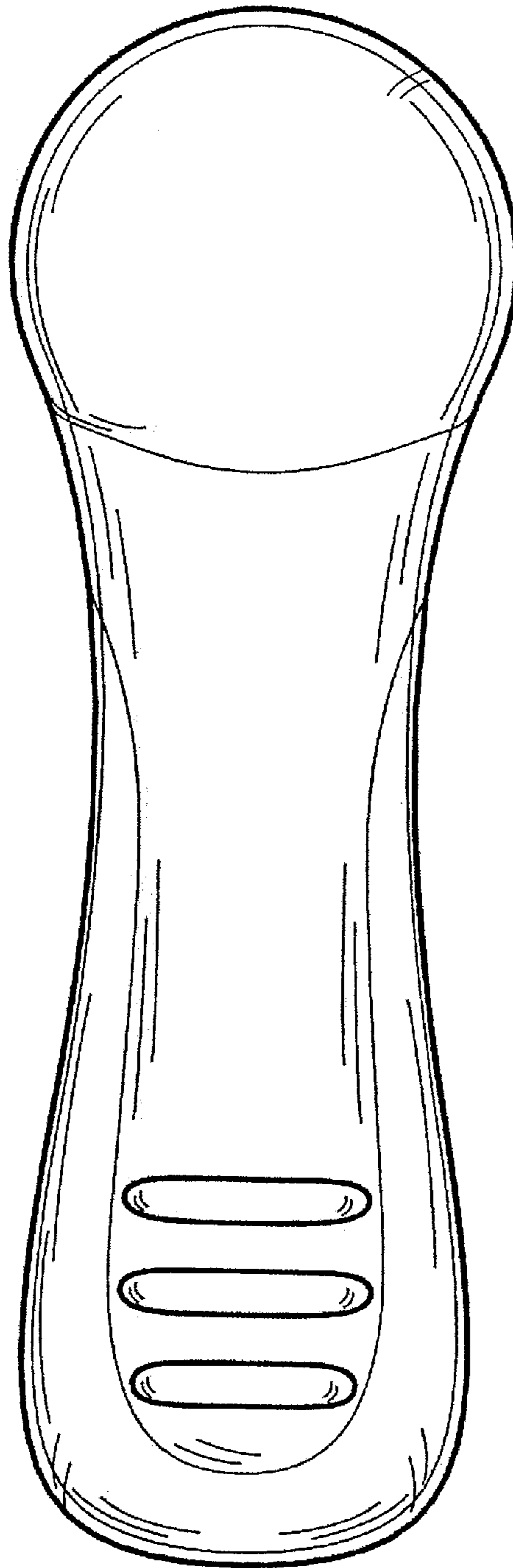


FIG. 3

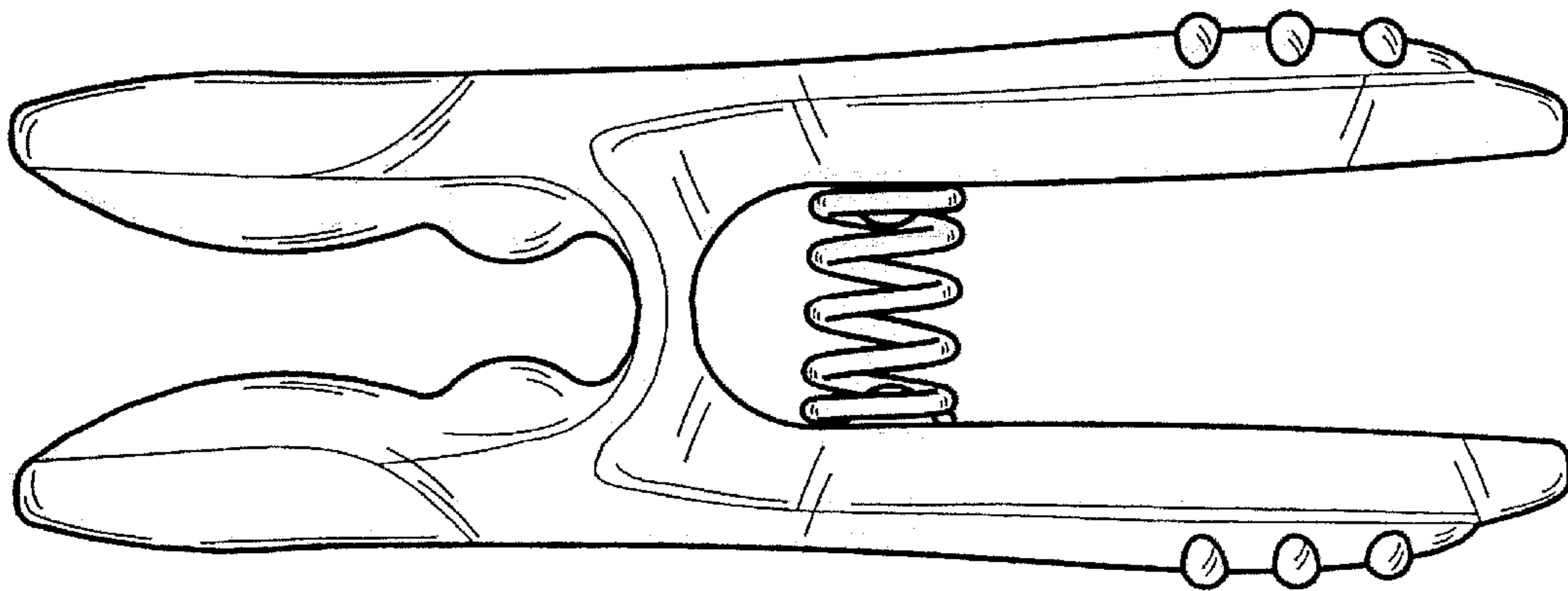


FIG. 4

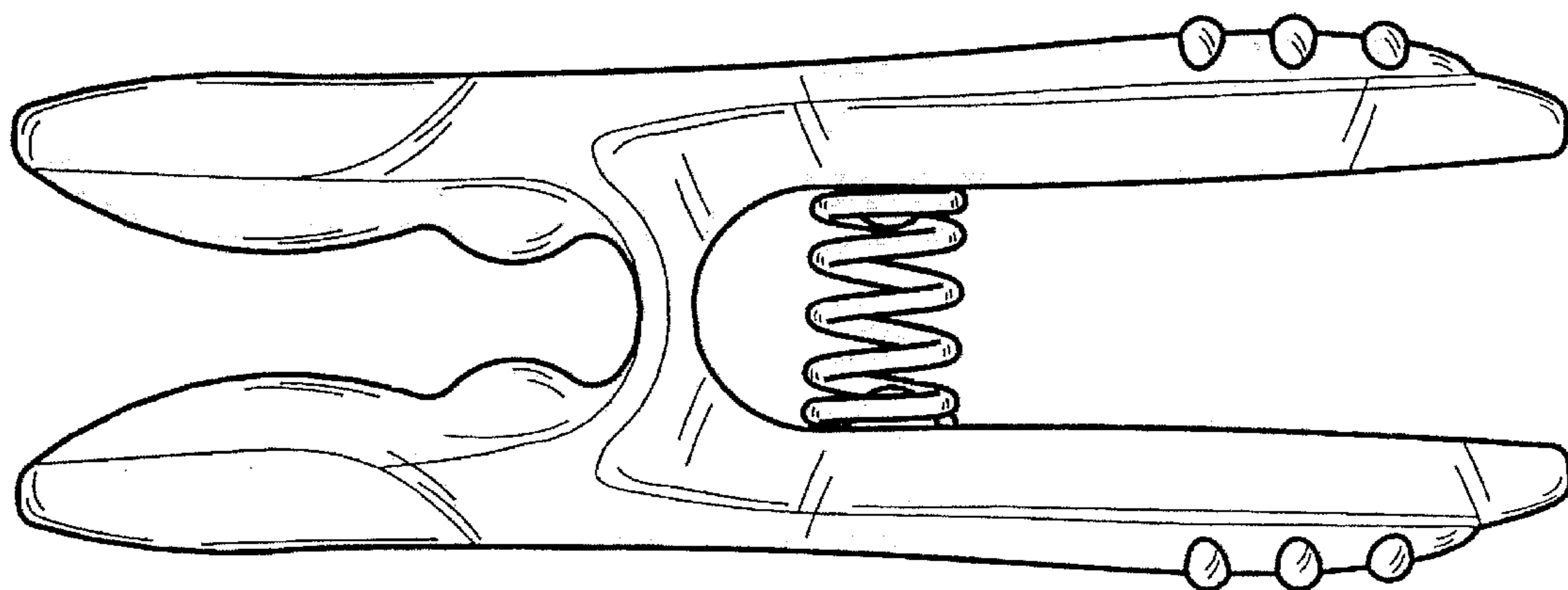


FIG. 5

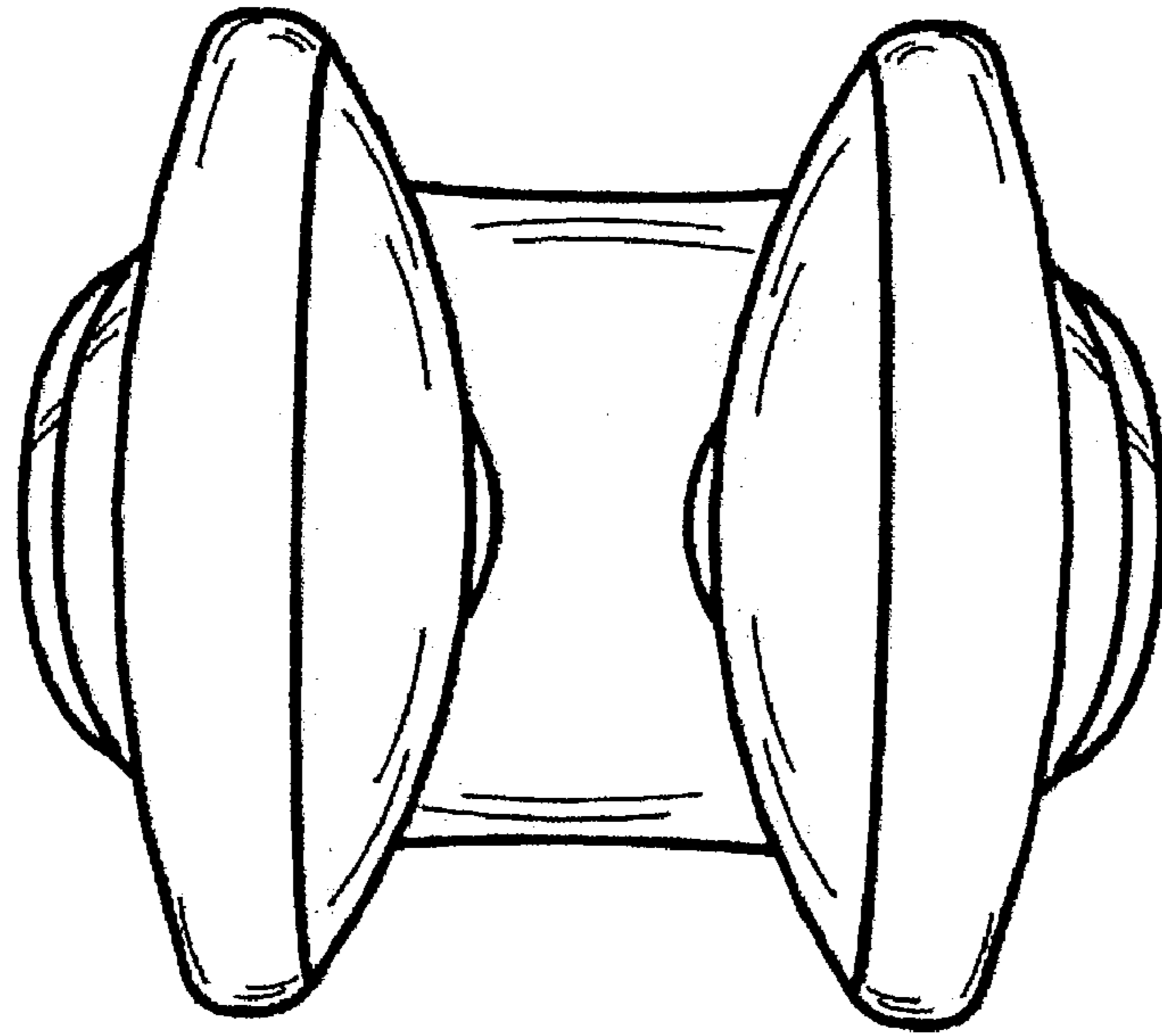


FIG. 6

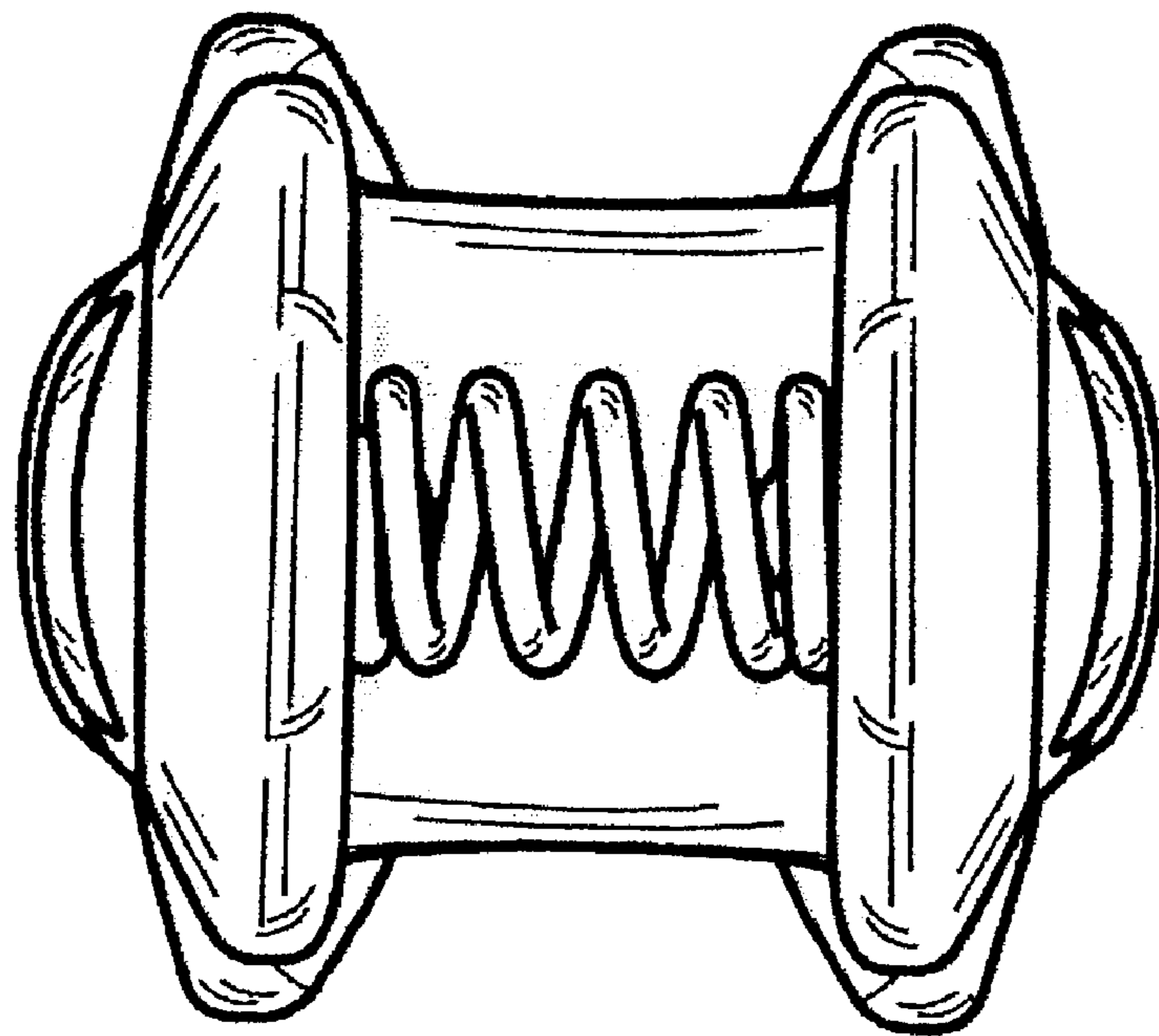


FIG. 7

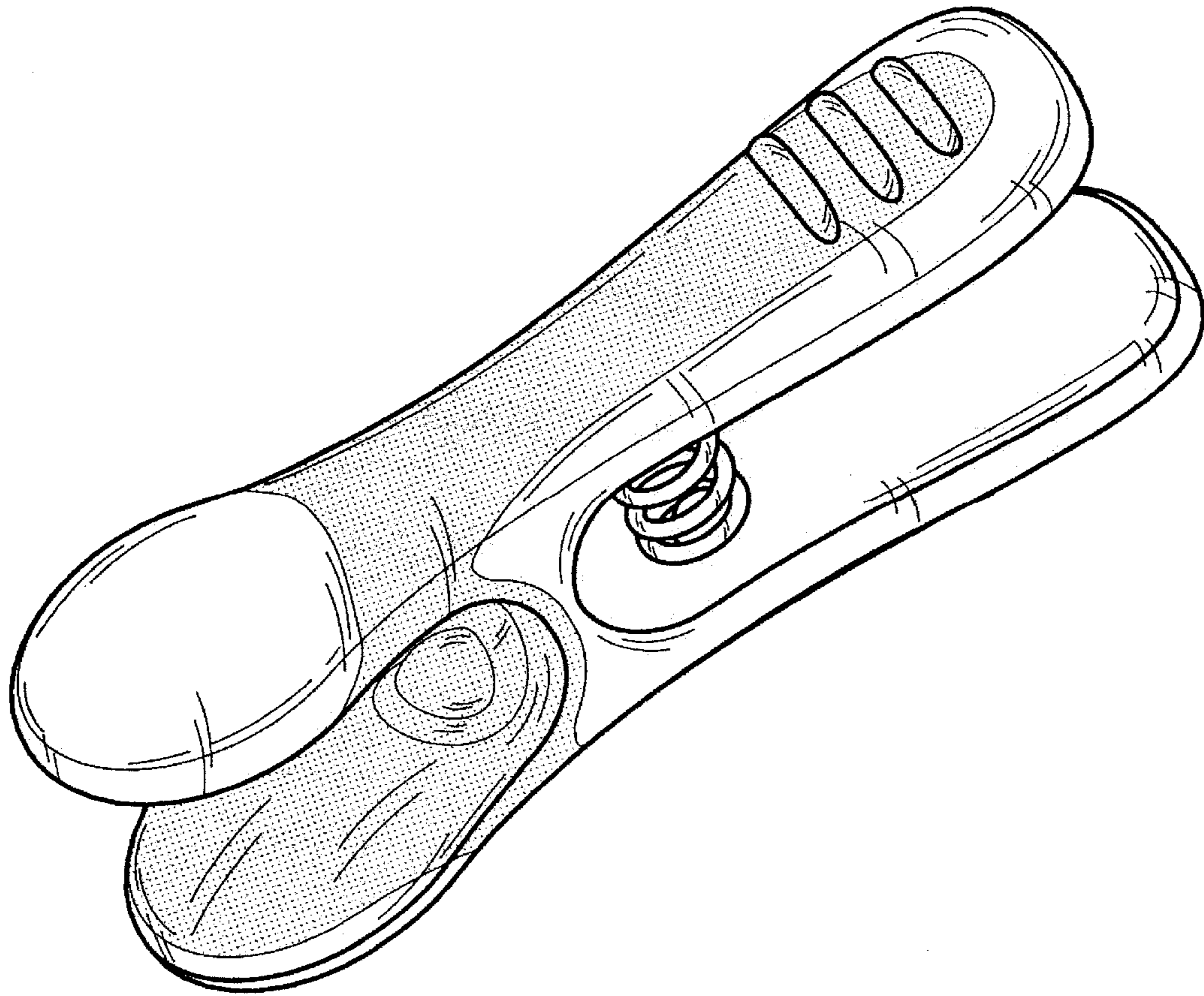


FIG. 8

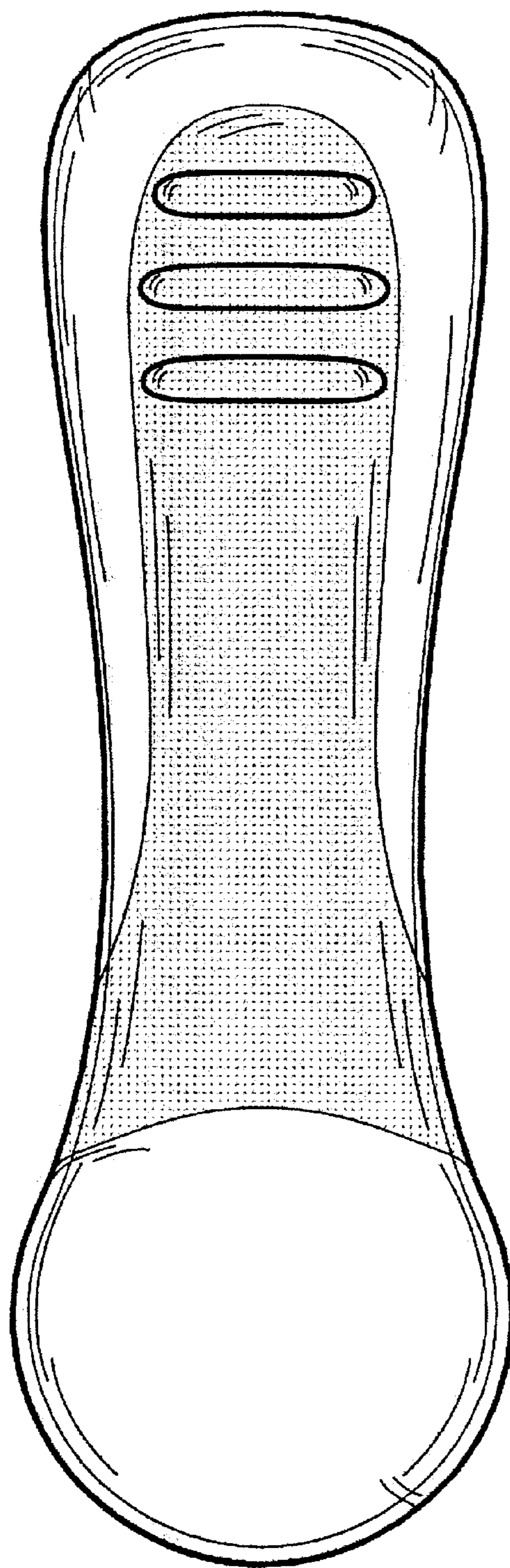


FIG. 9

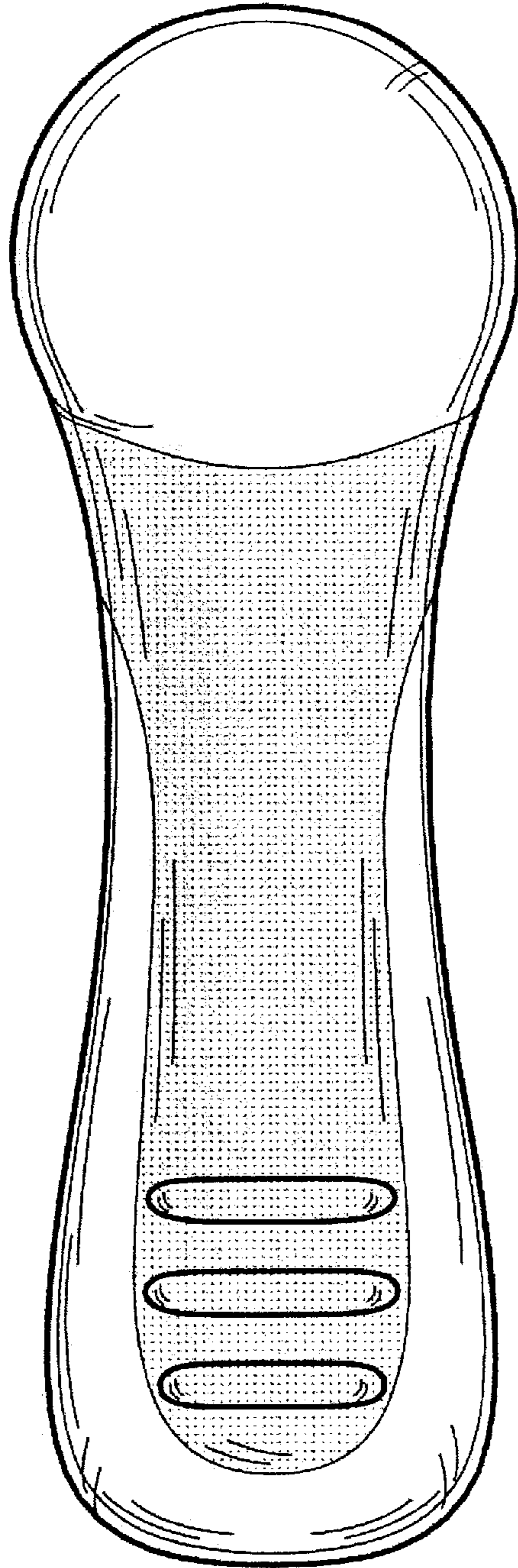


FIG. 10

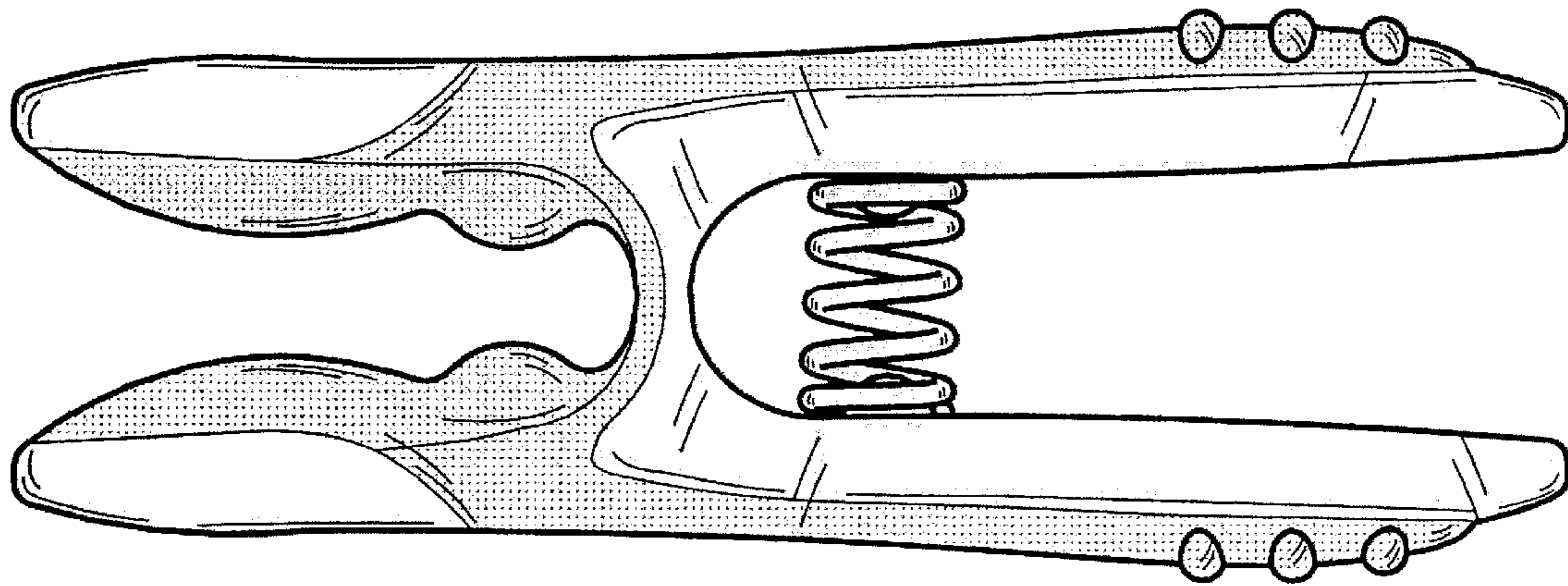


FIG. 11

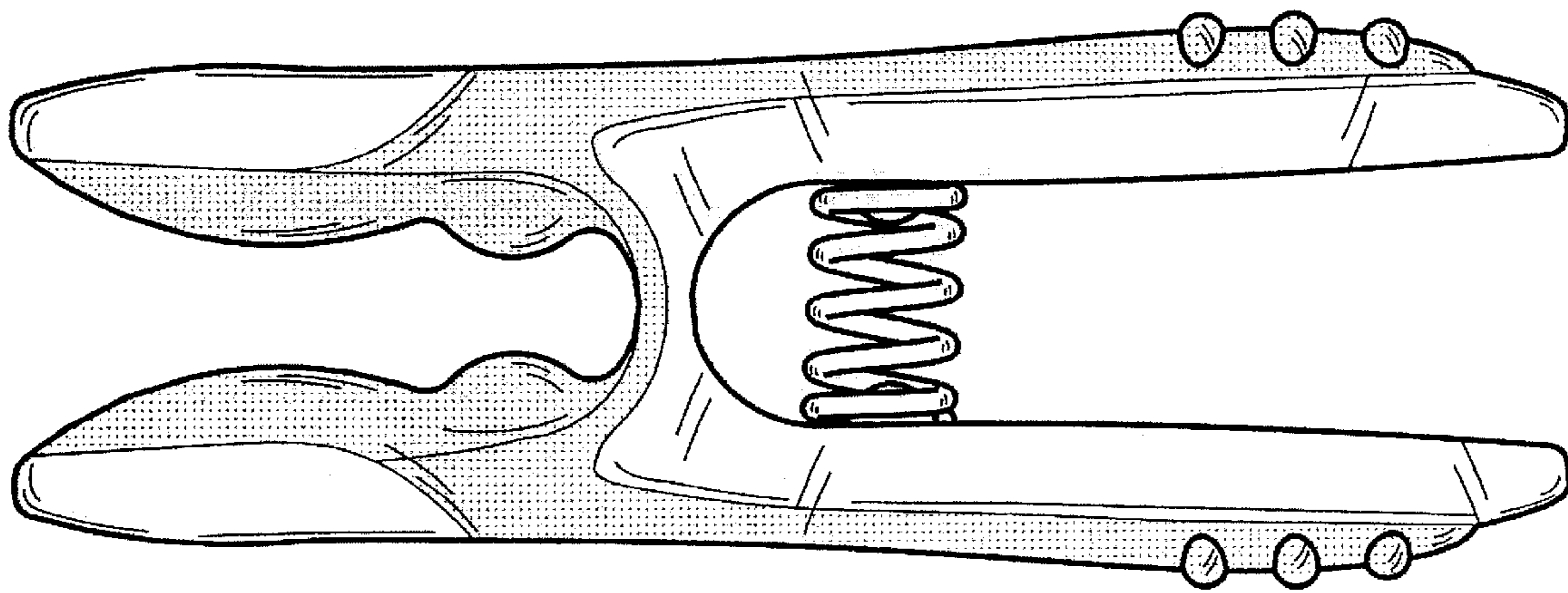


FIG. 12

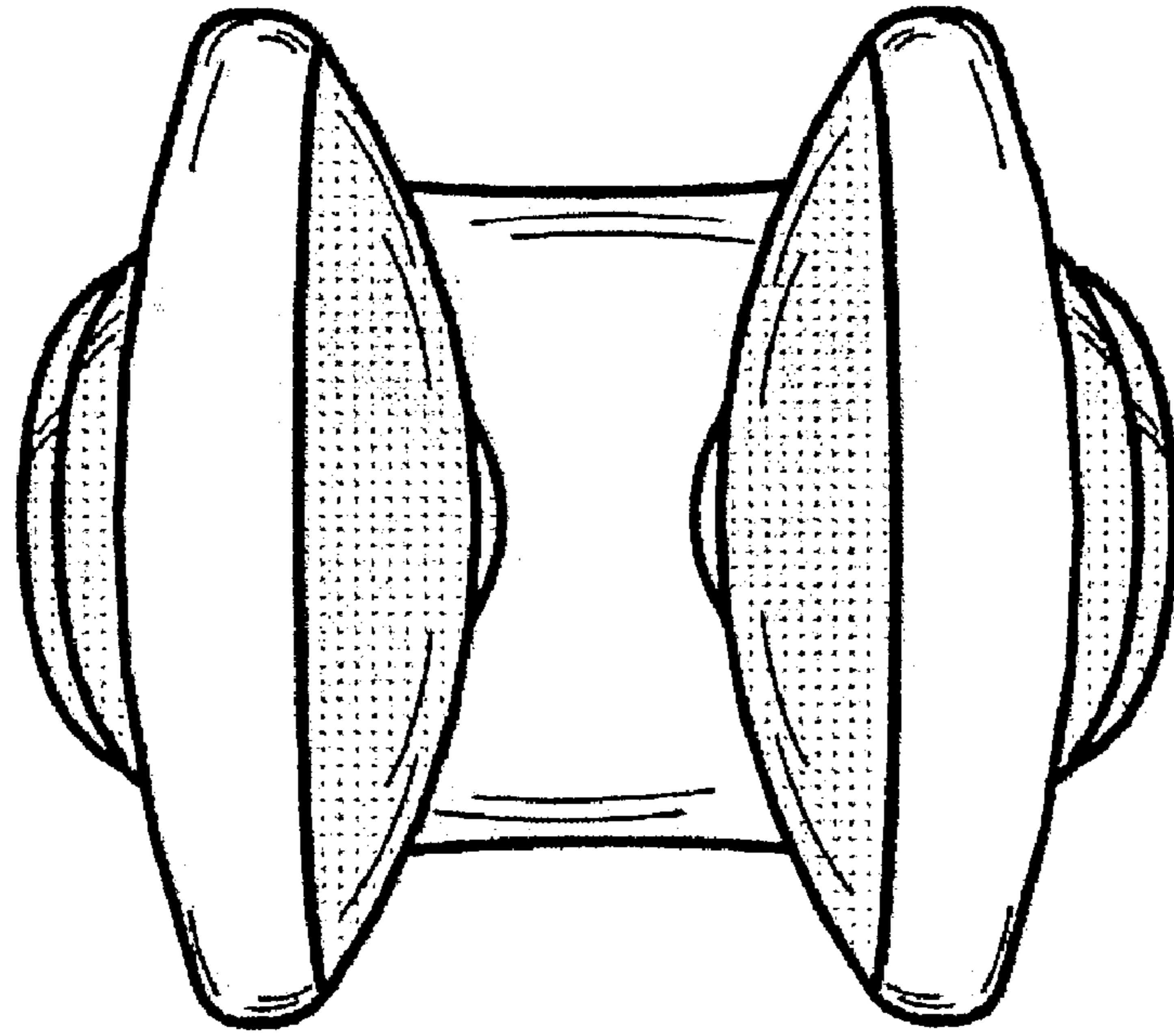


FIG. 13

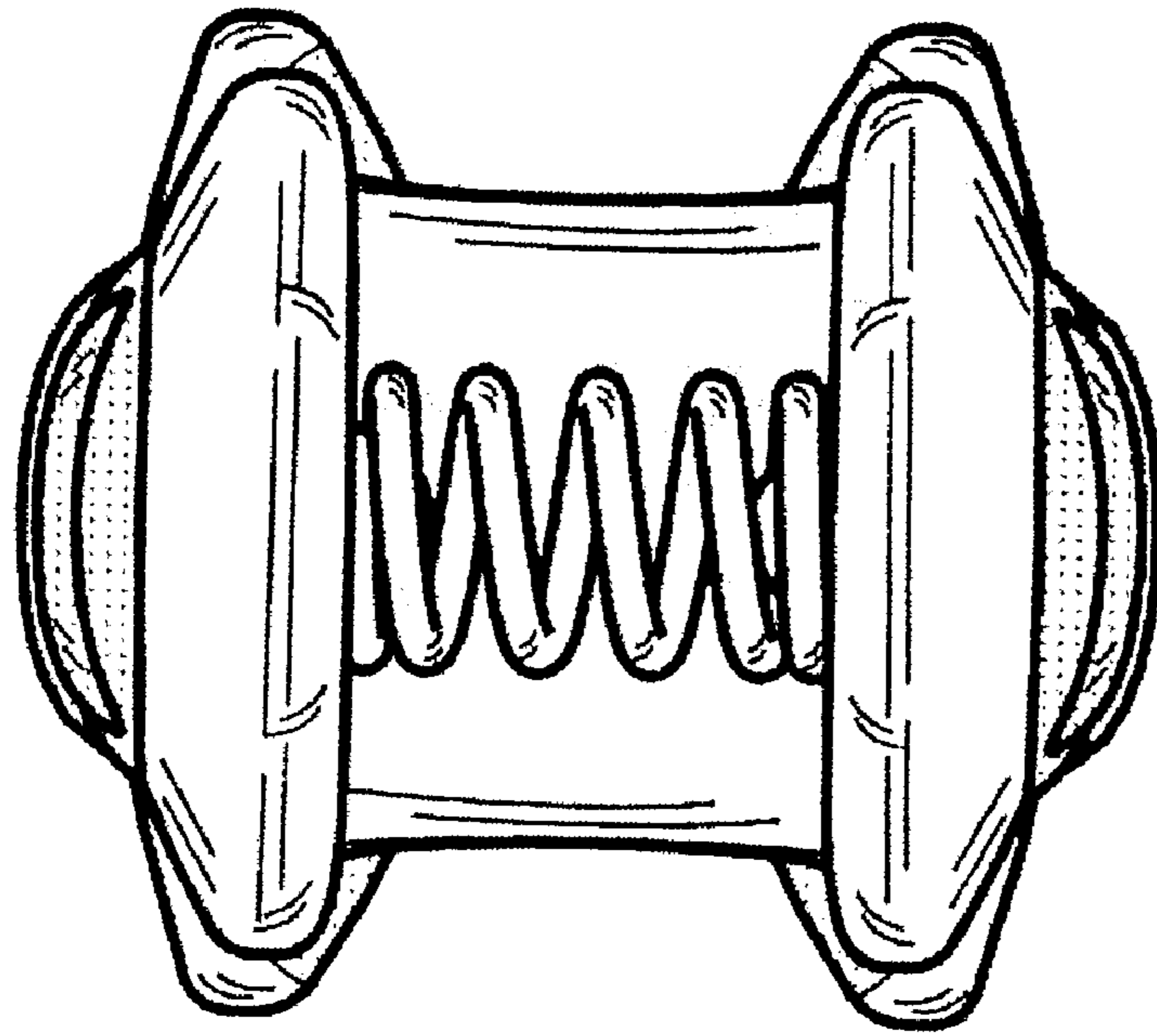


FIG. 14