

US00D518365S

(12) **United States Design Patent**
Wamsley

(10) **Patent No.:** **US D518,365 S**

(45) **Date of Patent:** **** Apr. 4, 2006**

(54) **CONNECTOR FOR POLES**

(75) Inventor: **Stephen D. Wamsley**, Lakewood, OH (US)

(73) Assignee: **Fasteners For Retail, Inc.**, Cleveland, OH (US)

(**) Term: **14 Years**

(21) Appl. No.: **29/198,330**

(22) Filed: **Jan. 27, 2004**

(51) **LOC (8) Cl.** **08-08**

(52) **U.S. Cl.** **D8/382**

(58) **Field of Classification Search** D8/382;
403/344, 172; 248/74.1-74.2, 62
See application file for complete search history.

(56) **References Cited**

U.S. PATENT DOCUMENTS

| | | | | | |
|--------------|---|---------|-------------------|-------|---------|
| D322,025 S | * | 12/1991 | Funston | | D8/382 |
| D397,366 S | | 8/1998 | Wamsley | | |
| 6,626,605 B1 | * | 9/2003 | Dean et al. | | 403/344 |
| D488,714 S | * | 4/2004 | Schengrund et al. | | D8/382 |

OTHER PUBLICATIONS

FFR Yellow Pages® 2002 Product Catalog, front cover, pp. 31, 179, 189, 190, 200 and back cover.

* cited by examiner

Primary Examiner—Holly H. Baynham

(74) *Attorney, Agent, or Firm*—Fay, Sharpe, Fagan, Minnich & McKee, LLP

(57) **CLAIM**

The ornamental design for the connector for poles, as shown and described.

DESCRIPTION

FIG. 1 is a perspective view of a connector for poles showing my new design;

FIG. 2 is a front elevational view thereof;

FIG. 3 is a top plan view thereof, with a bottom plan view being a mirror image thereof;

FIG. 4 is a right side elevational view thereof;

FIG. 5 is a left side elevational view thereof; and,

FIG. 6 is a bottom plan view thereof.

The broken lines showing display poles and paddle are for illustrative purposes only and form no part of the claimed design.

1 Claim, 2 Drawing Sheets

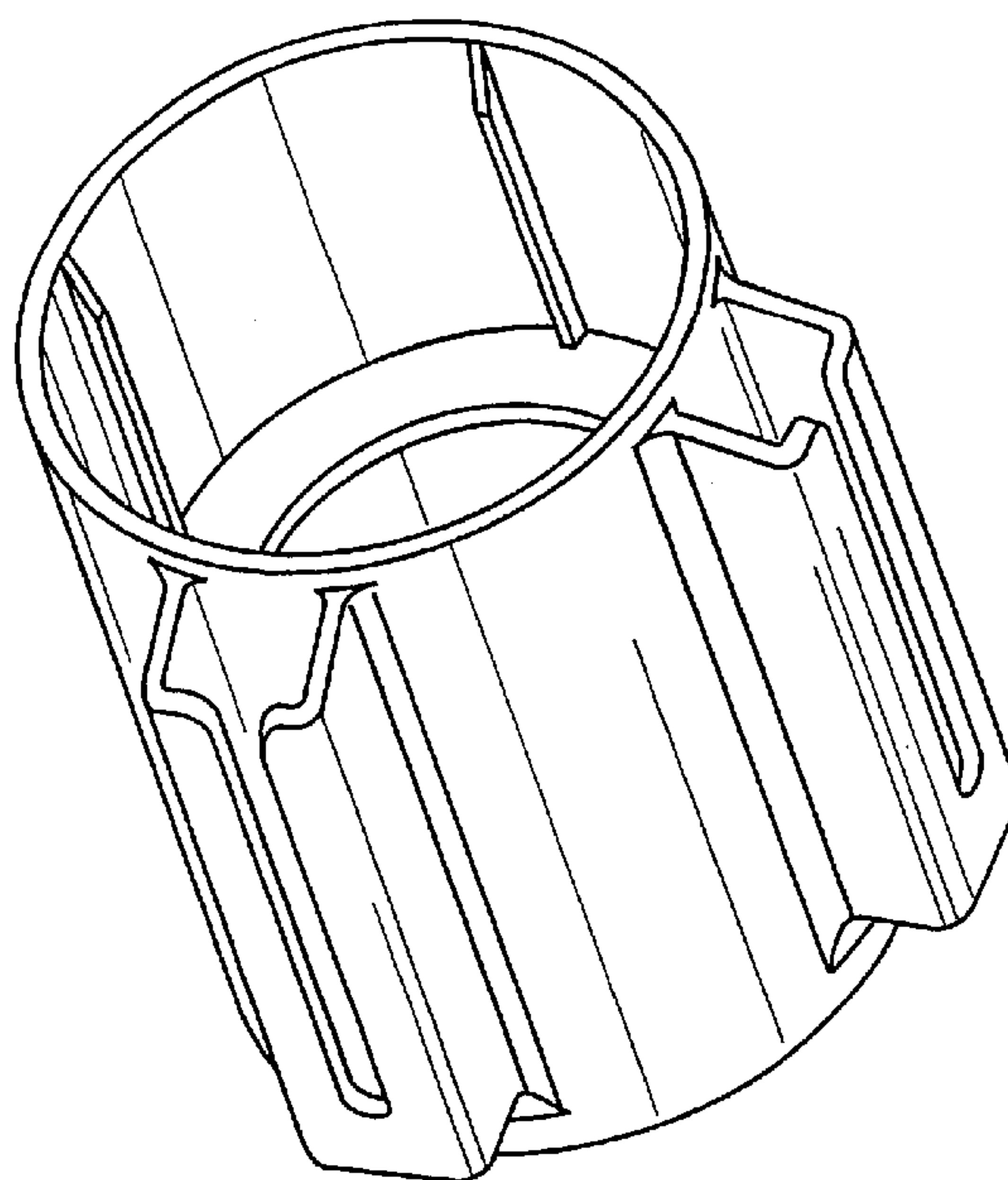


FIG. 1

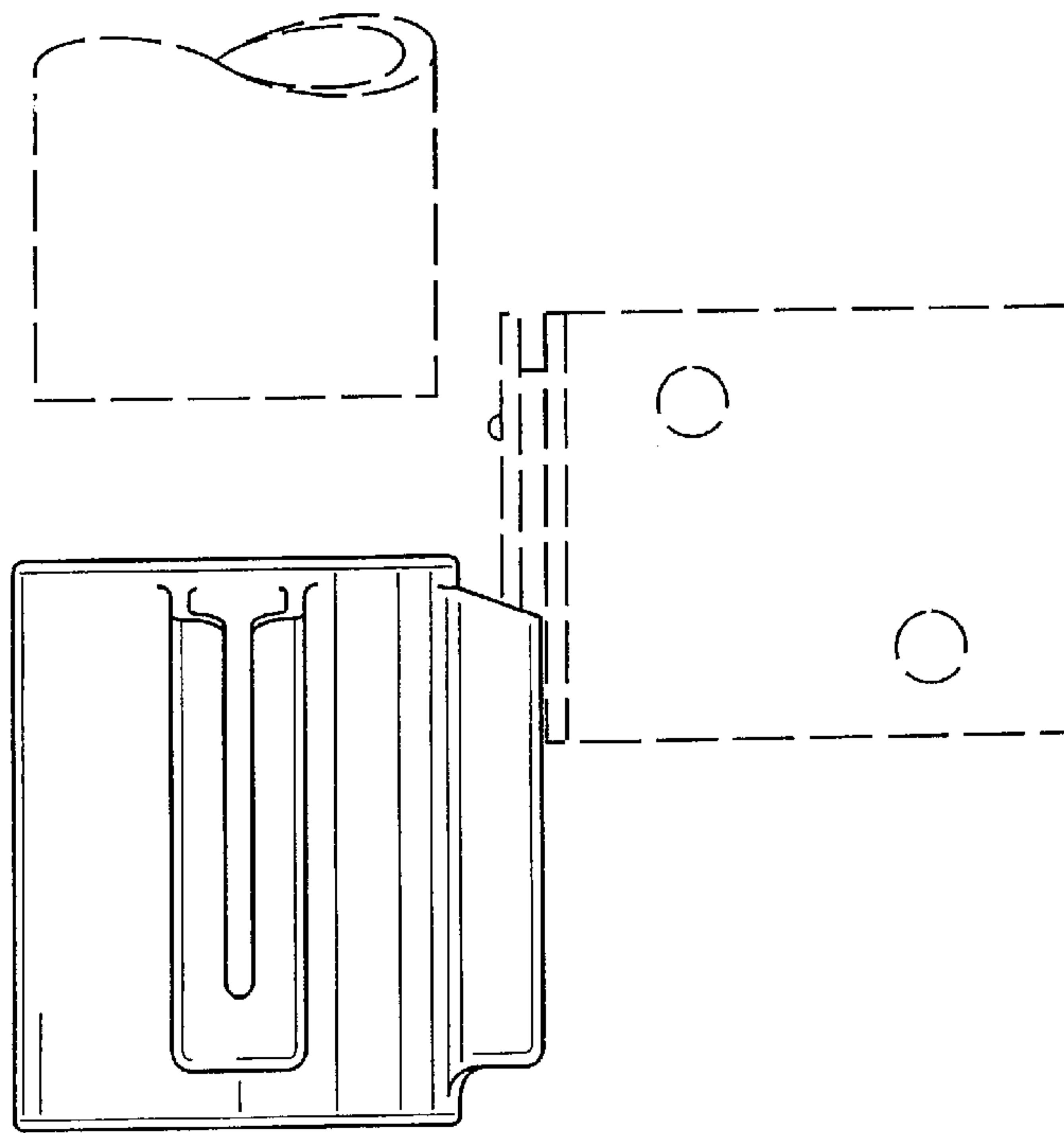
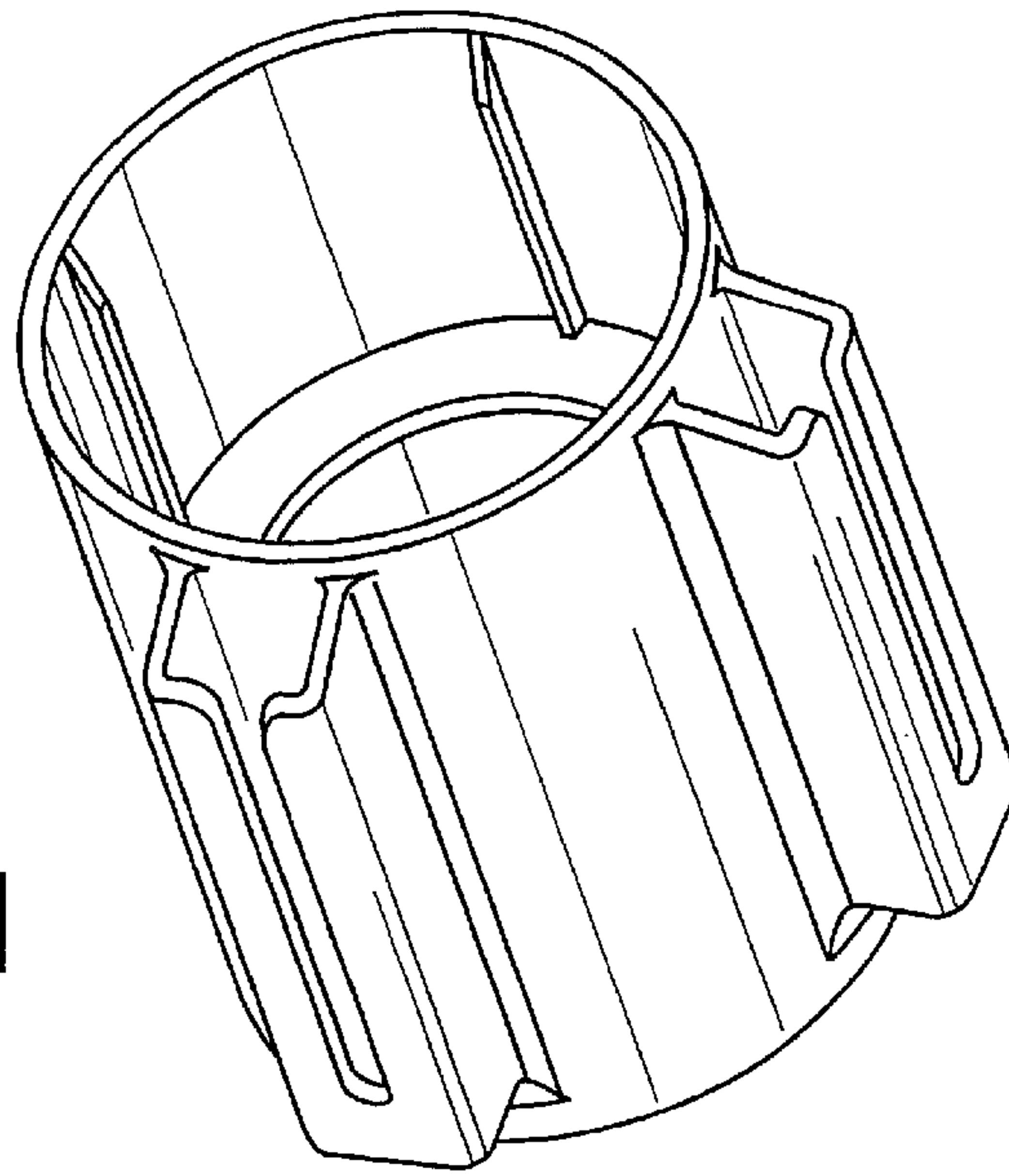


FIG. 2

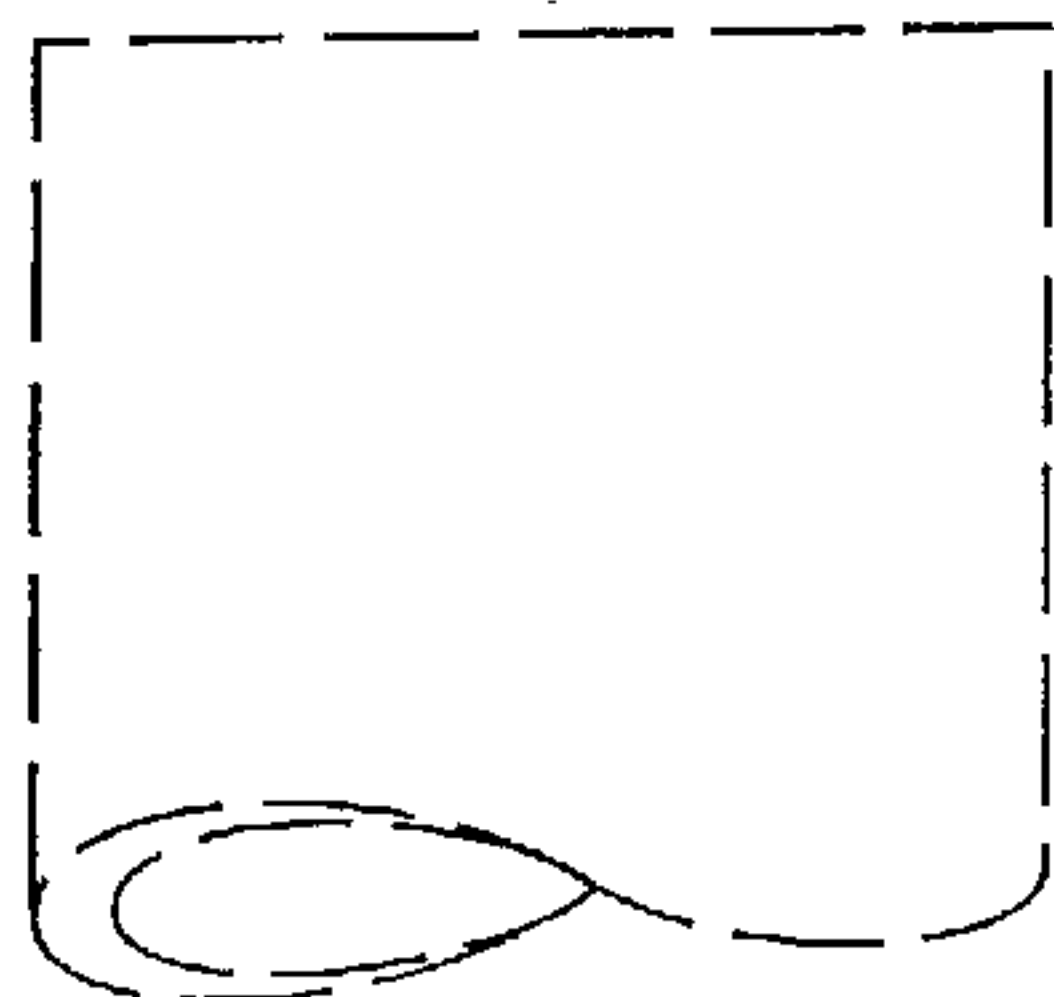




FIG. 3

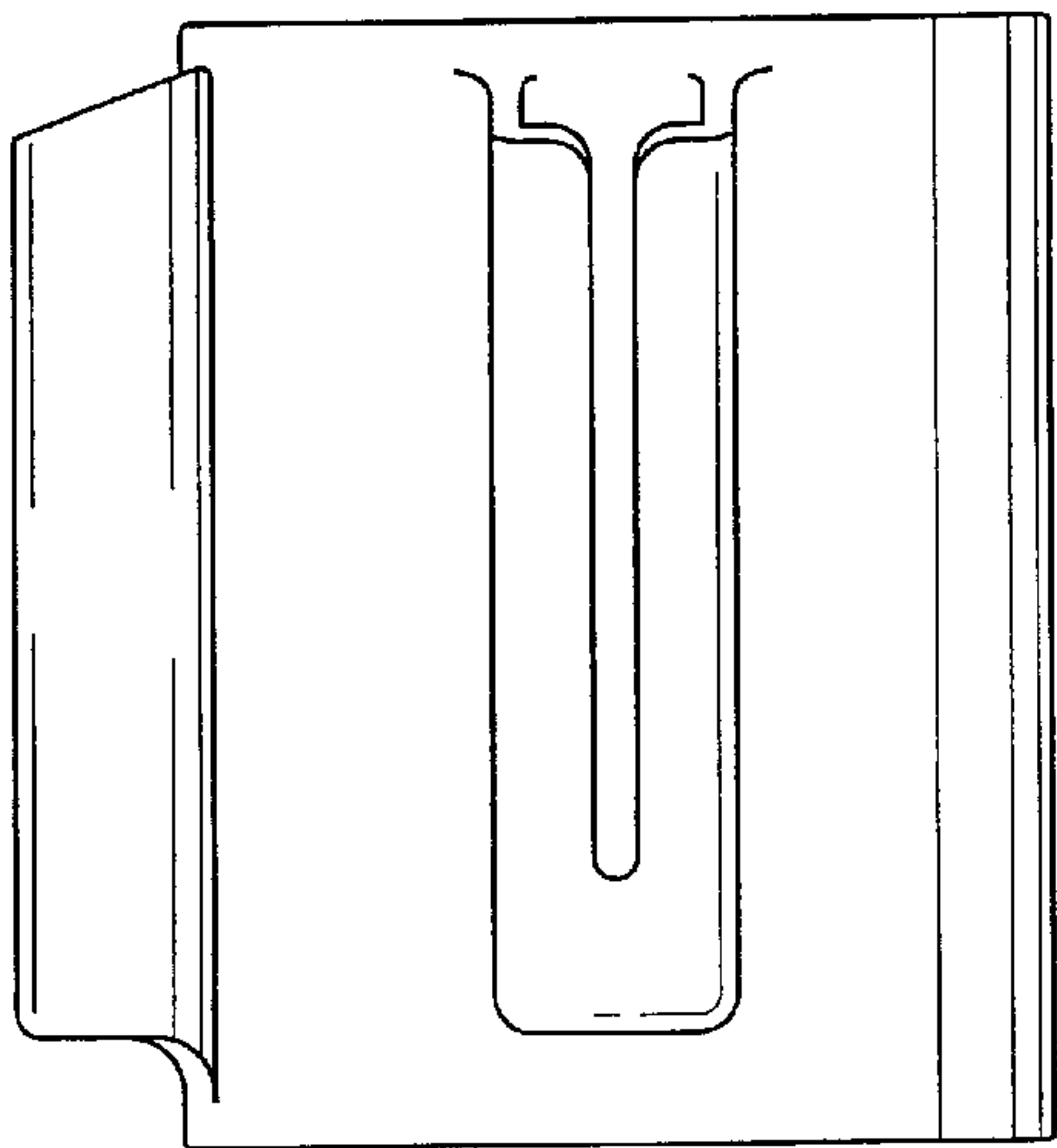


FIG. 4

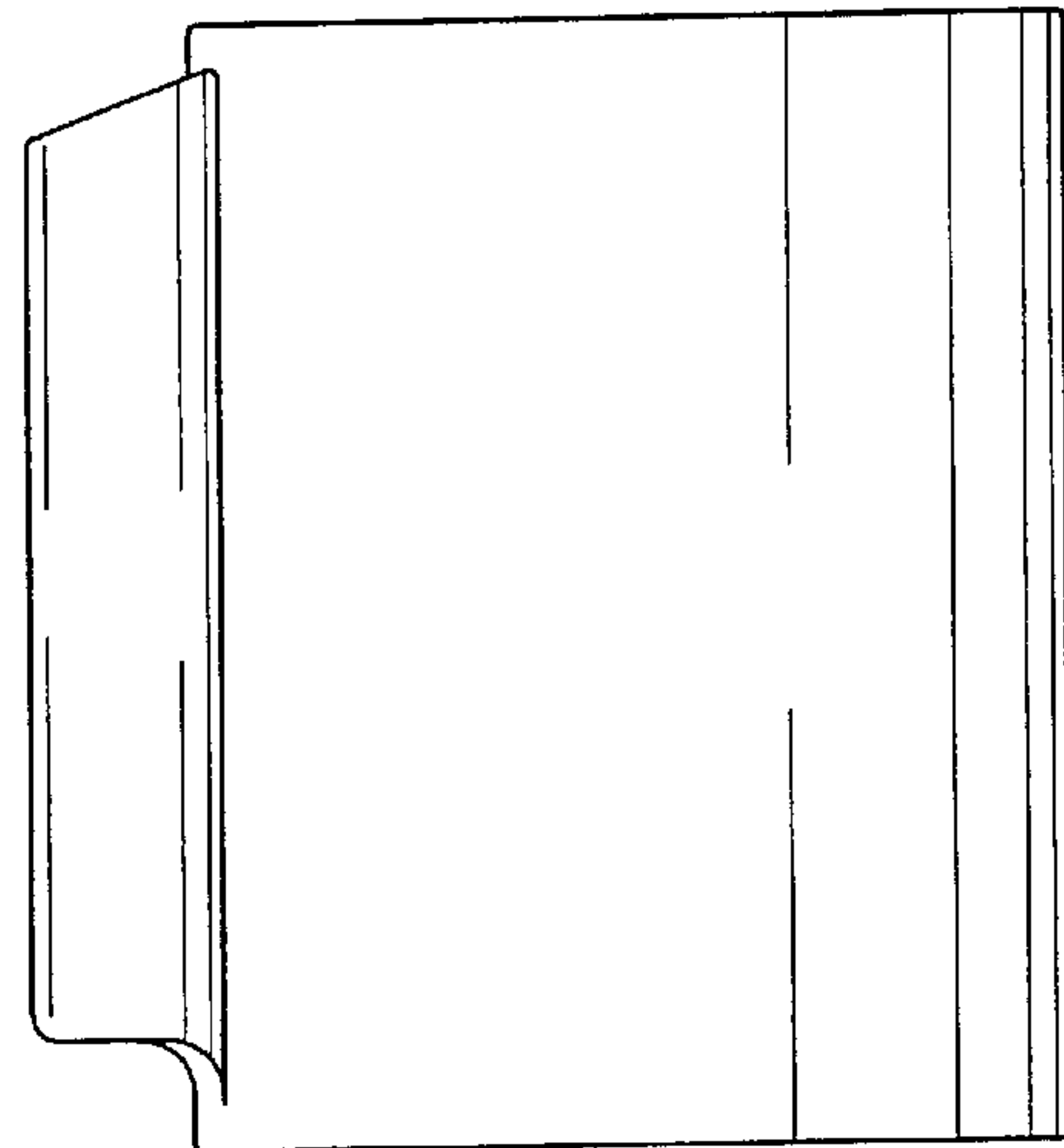


FIG. 5

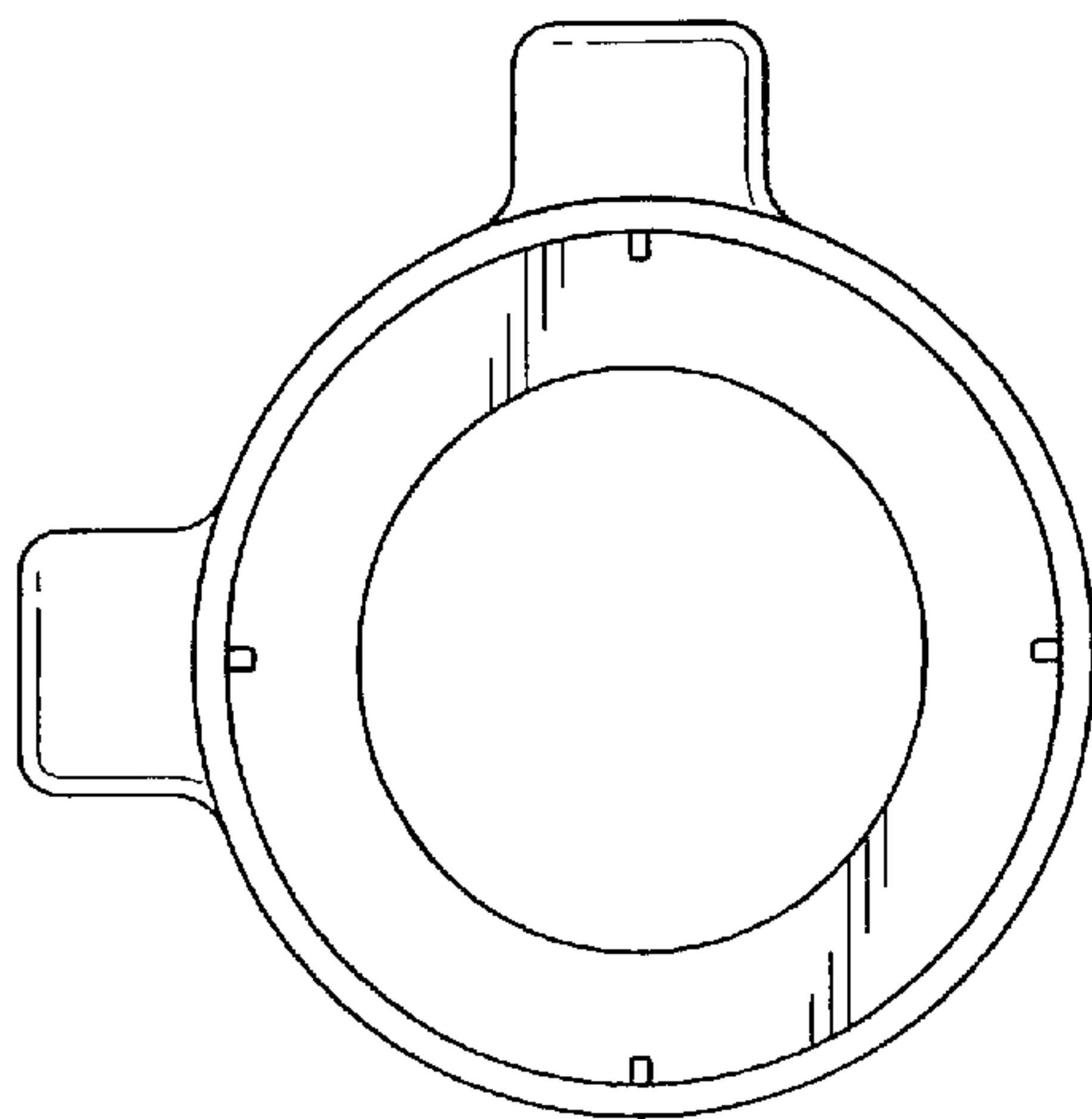


FIG. 6