



US00D518364S

(12) **United States Design Patent**  
**DeBiasio, Jr.**

(10) **Patent No.:** **US D518,364 S**  
(45) **Date of Patent:** **\*\* Apr. 4, 2006**

(54) **HOOK**

- (75) Inventor: **Lorenzo DeBiasio, Jr.**, Johnston, RI (US)
- (73) Assignee: **L.D.B. Tool & Findings Incorporated**, Cranston, RI (US)
- (\*\*) Term: **14 Years**
- (21) Appl. No.: **29/189,359**
- (22) Filed: **Sep. 3, 2003**

**Related U.S. Application Data**

- (62) Division of application No. 29/156,286, filed on Feb. 26, 2002, now Pat. No. Des. 488,996.
- (51) **LOC (8) Cl.** ..... **08-05**
- (52) **U.S. Cl.** ..... **D8/370**
- (58) **Field of Classification Search** ..... D8/370, D8/367, 363, 14; D6/320, 404; 52/685, 687, 52/719; 211/57.1, 59.1, 106.01, 87.01; 248/211, 248/370, 551, 218.4, 220.21, 220.31, 220.41, 248/301-304; 40/642.01  
See application file for complete search history.

(56) **References Cited**

**U.S. PATENT DOCUMENTS**

3,272,467	A	*	9/1966	Kassube	.....	248/211
4,560,062	A		12/1985	Valiulis		
4,697,712	A		10/1987	Valiulis		
4,724,967	A		2/1988	Valiulis		
5,236,163	A		8/1993	Valiulis		
5,415,370	A		5/1995	Valiulis		
5,597,150	A	*	1/1997	Stein et al.	.....	248/551
5,651,521	A	*	7/1997	Aberg	.....	248/218.4
D405,682	S	*	2/1999	Suher	.....	D8/370
6,196,509	B1	*	3/2001	Clemens	.....	248/302

**OTHER PUBLICATIONS**

Southern Imperial, Inc., "The Next Generation of Display Hooks . . .," (Jan. 27, 2002).  
LDB Manufacturing, Inc., "Display Hooks & Hardware; 2002; catalog."  
\* cited by examiner

*Primary Examiner*—Pamela Burgess  
(74) *Attorney, Agent, or Firm*—Cantor Colburn LLP

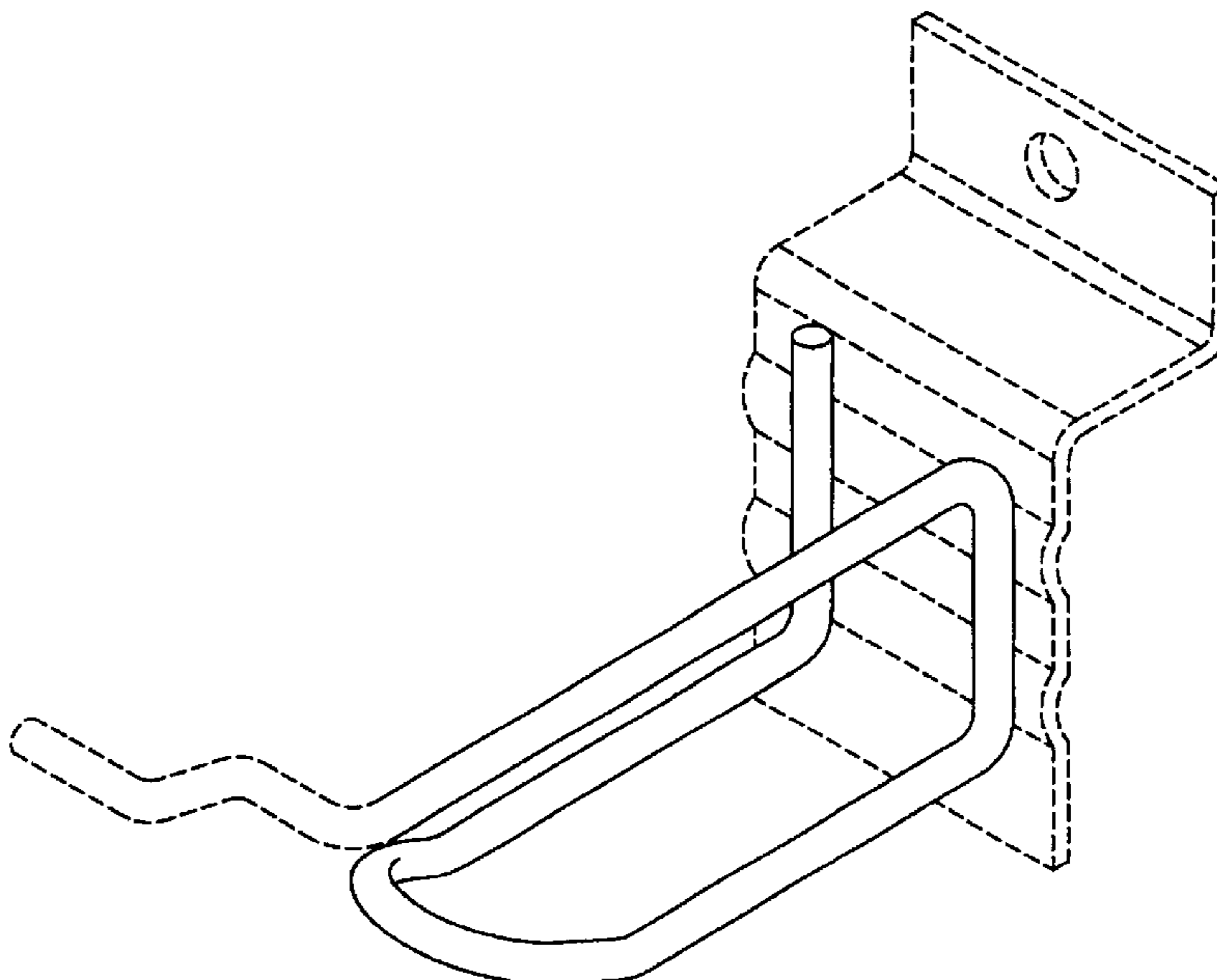
(57) **CLAIM**

The ornamental design for a hook, as shown and described.

**DESCRIPTION**

FIG. 1 is a top perspective view of a hook showing my new design;  
FIG. 2 is a left side elevational view thereof;  
FIG. 3 is a right side elevational view thereof;  
FIG. 4 is a top plan view thereof;  
FIG. 5 is a bottom plan view thereof;  
FIG. 6 is a front elevational view thereof;  
FIG. 7 is a rear elevational view thereof;  
FIG. 8 is a top perspective view thereof,  
FIG. 9 is a top perspective view of a second embodiment of a hook showing my new design;  
FIG. 10 is a left side elevational view thereof;  
FIG. 11 is a right side elevational view thereof;  
FIG. 12 is a top plan view thereof;  
FIG. 13 is a bottom plan view thereof;  
FIG. 14 is a front elevational view thereof;  
FIG. 15 is a rear elevational view thereof; and,  
FIG. 16 is a top perspective view thereof.  
The broken lines that connect to the solid line disclosure represent the bounds of the claim and all other broken lines are for illustrative purposes only. None of the broken lines form a part of the claimed design.

**1 Claim, 6 Drawing Sheets**



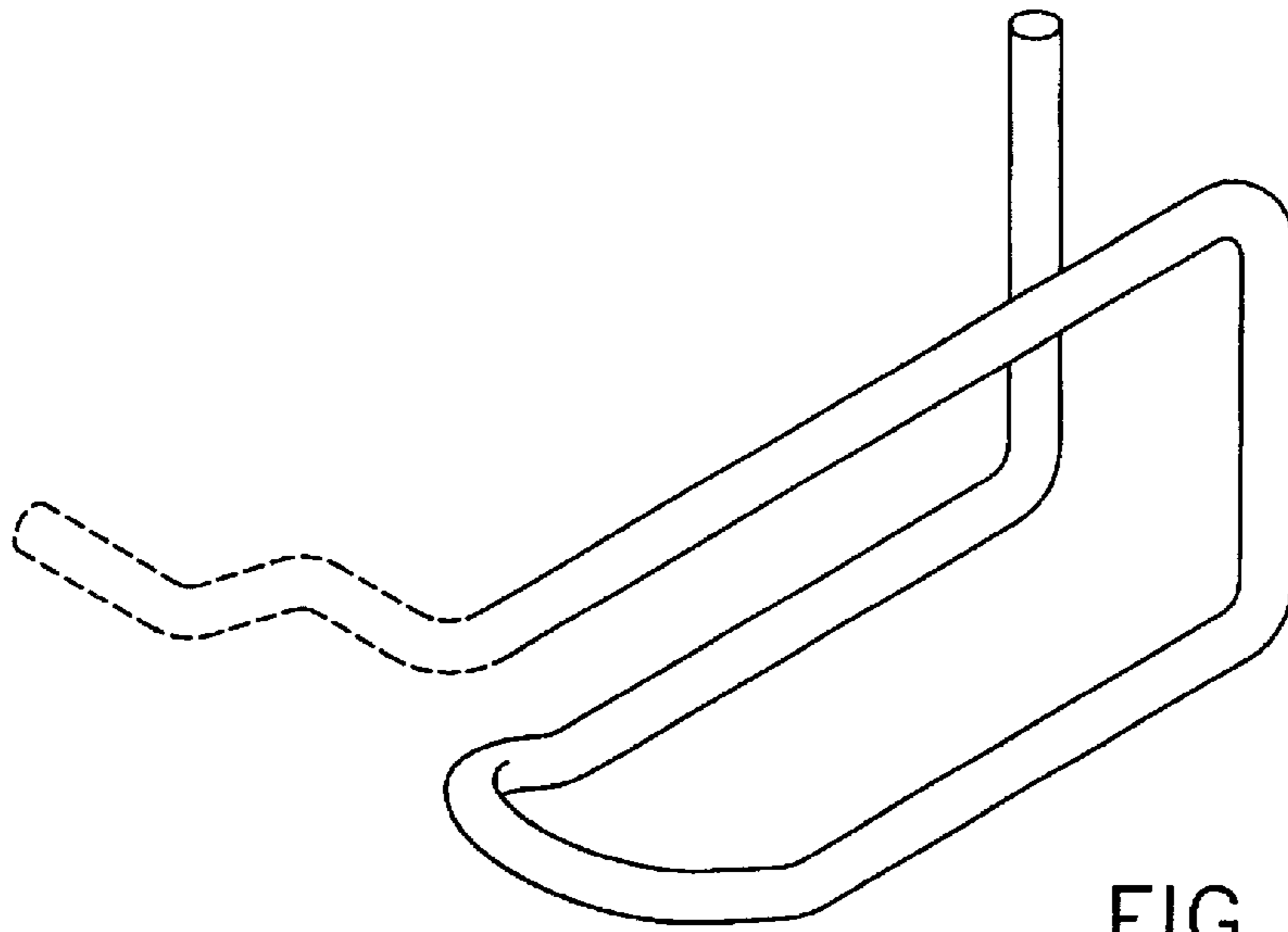


FIG. 1

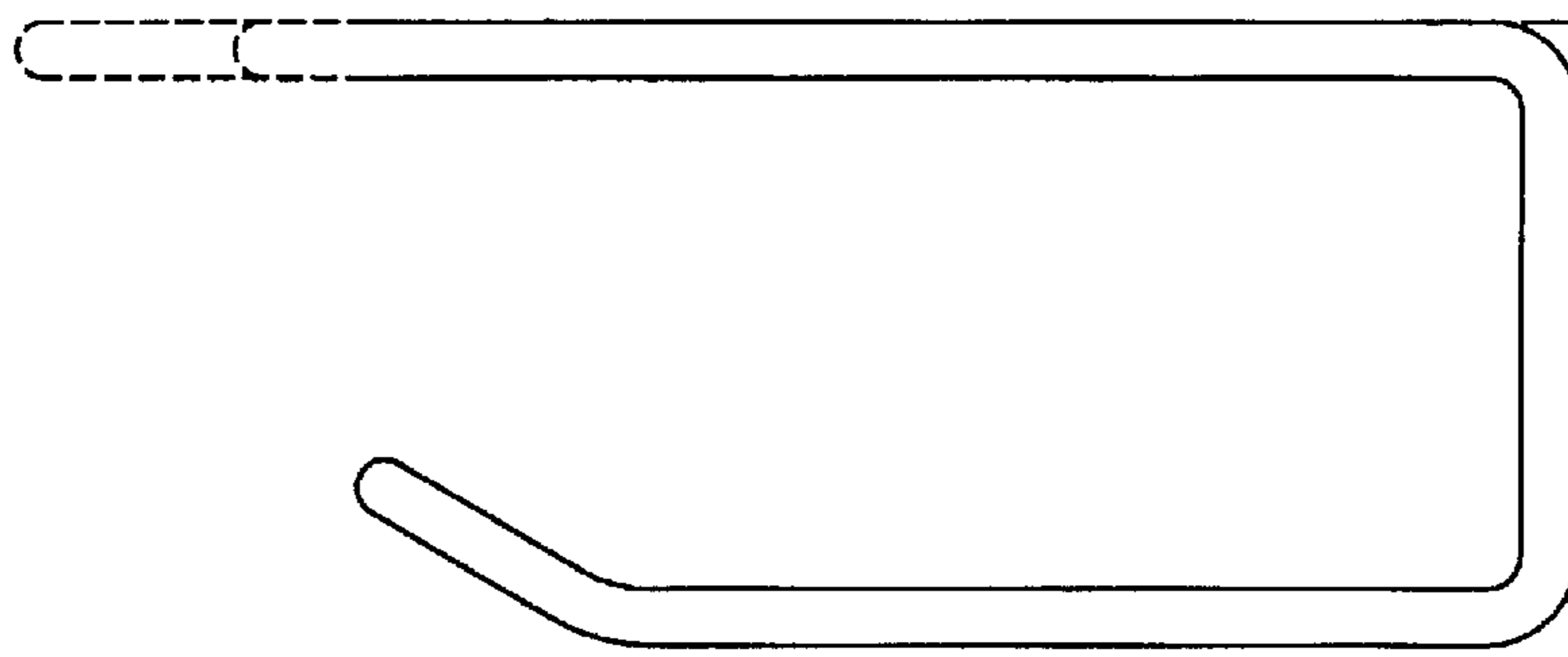


FIG. 2

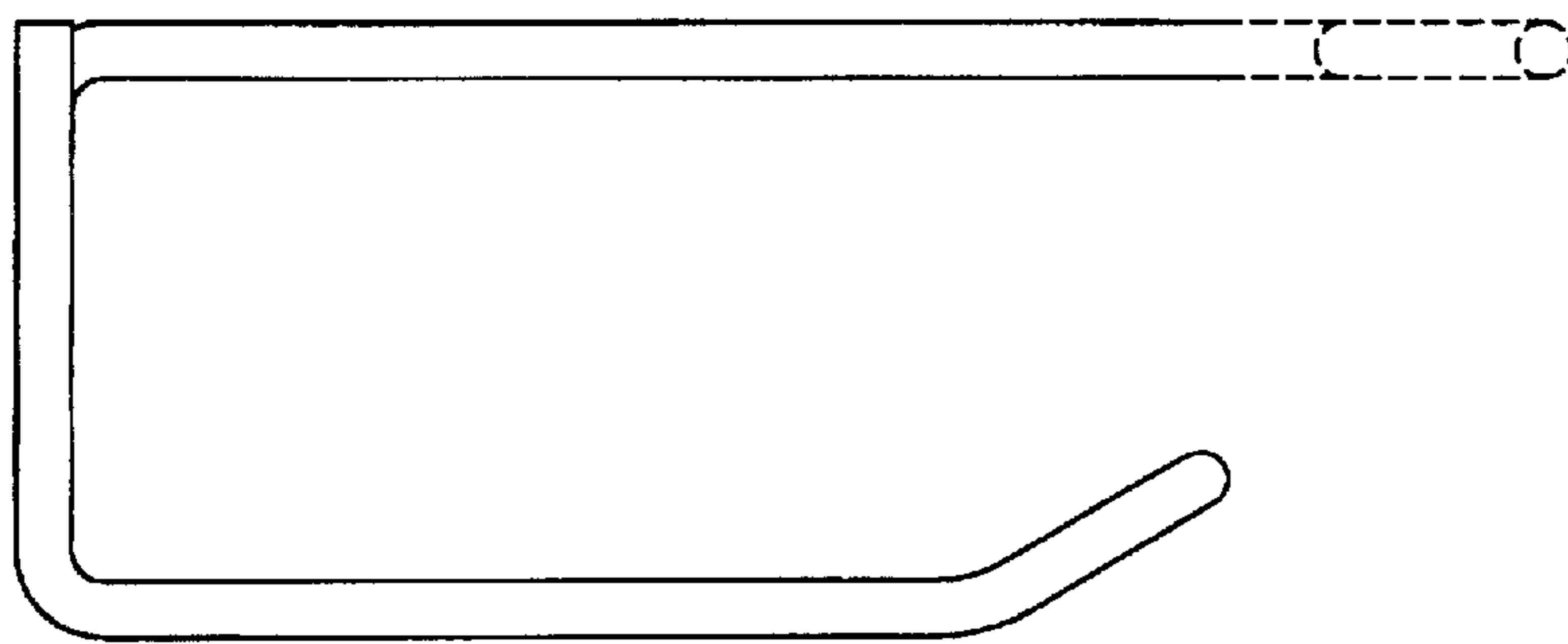


FIG. 3

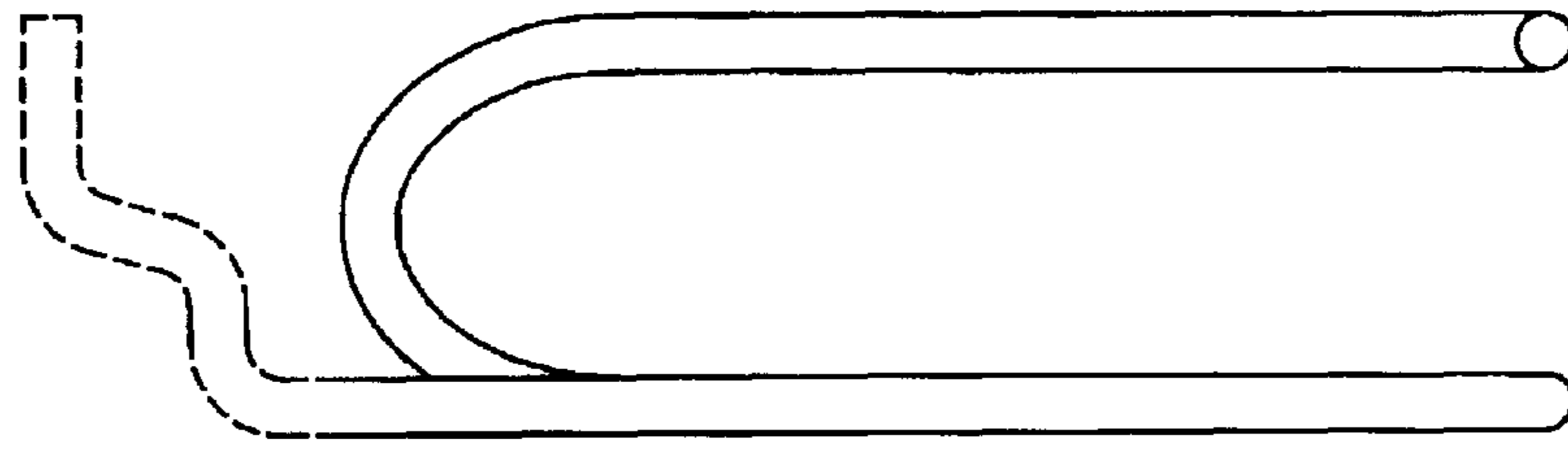


FIG. 4

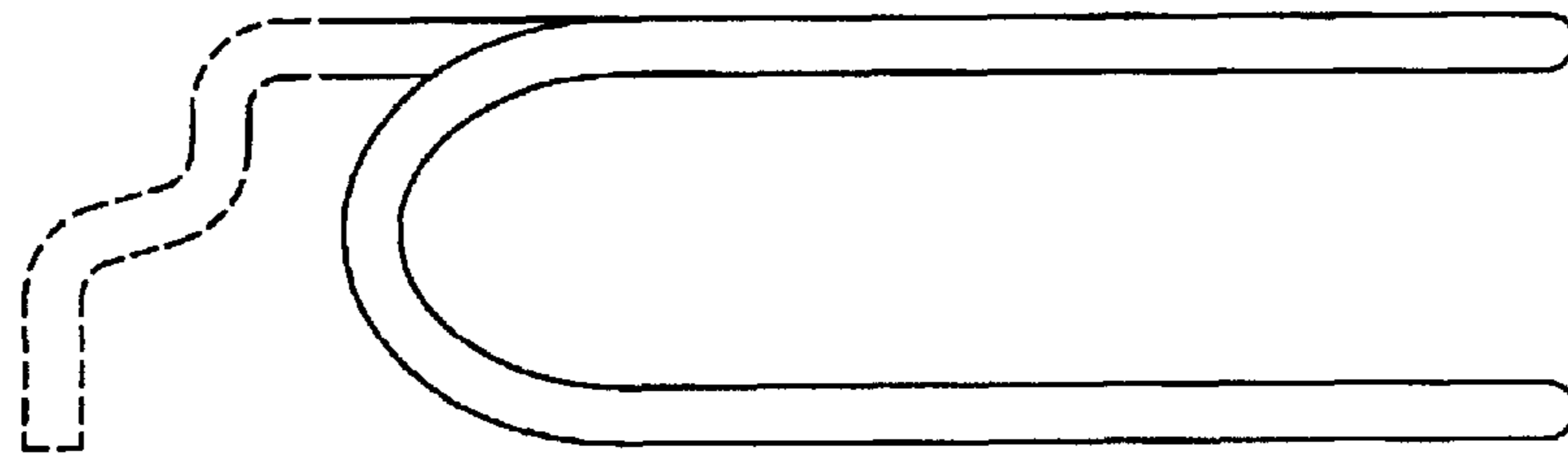


FIG. 5

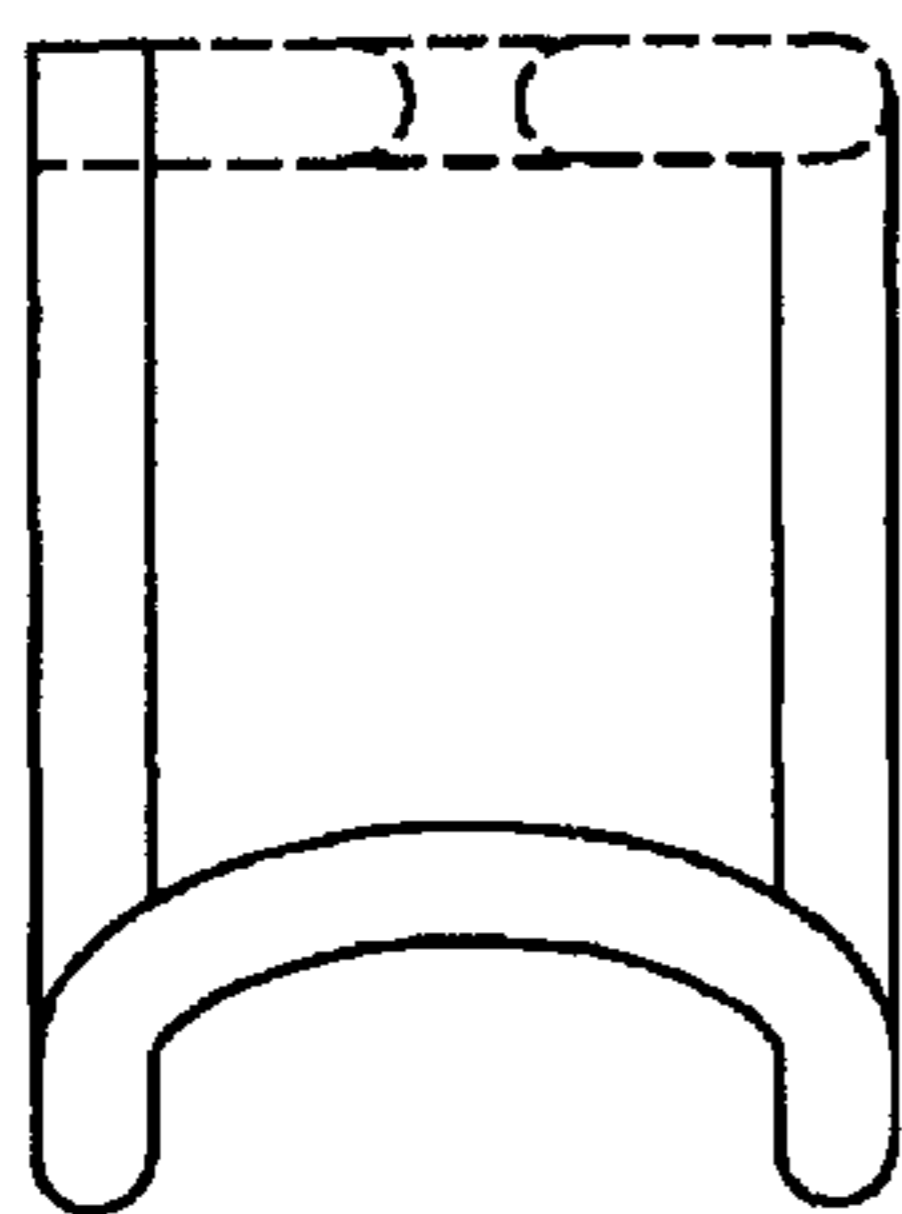


FIG. 6

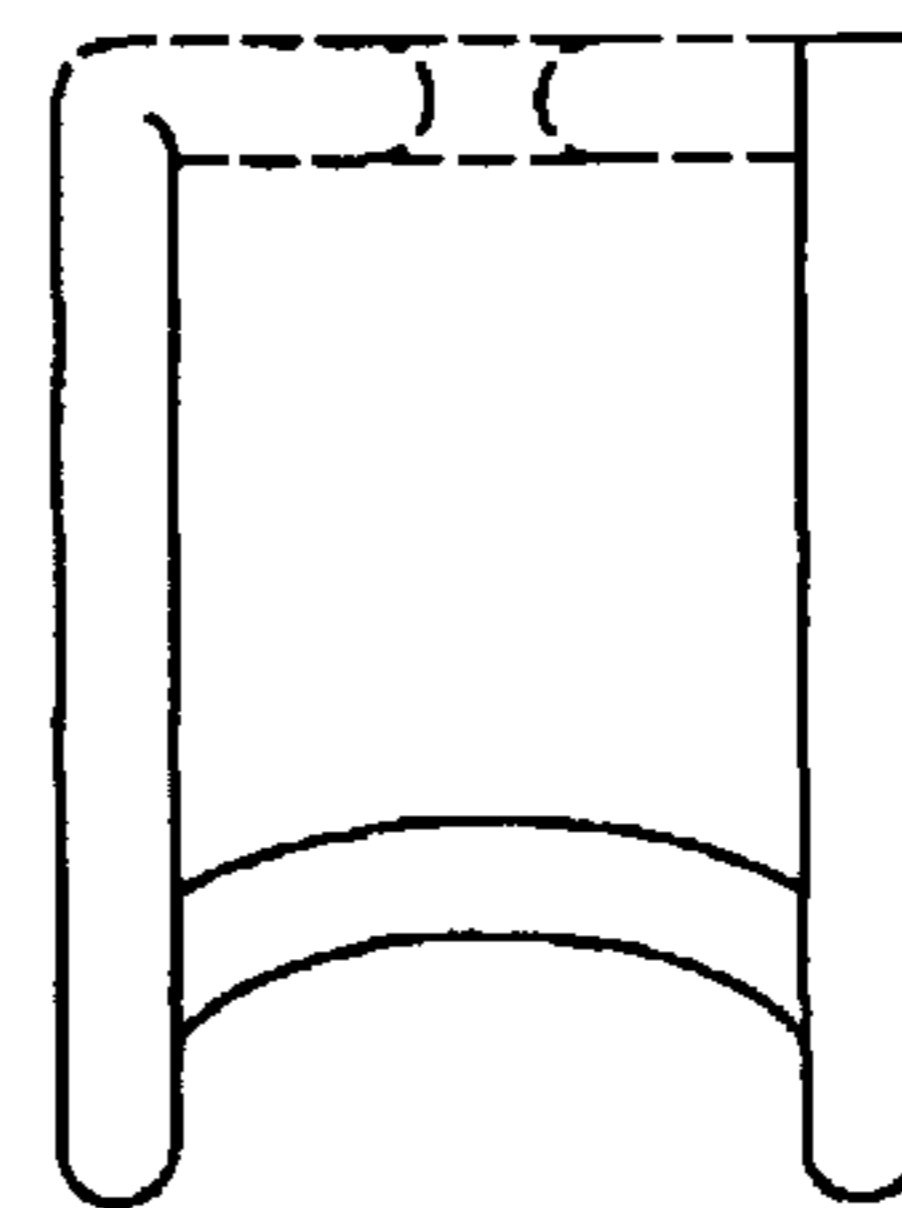


FIG. 7

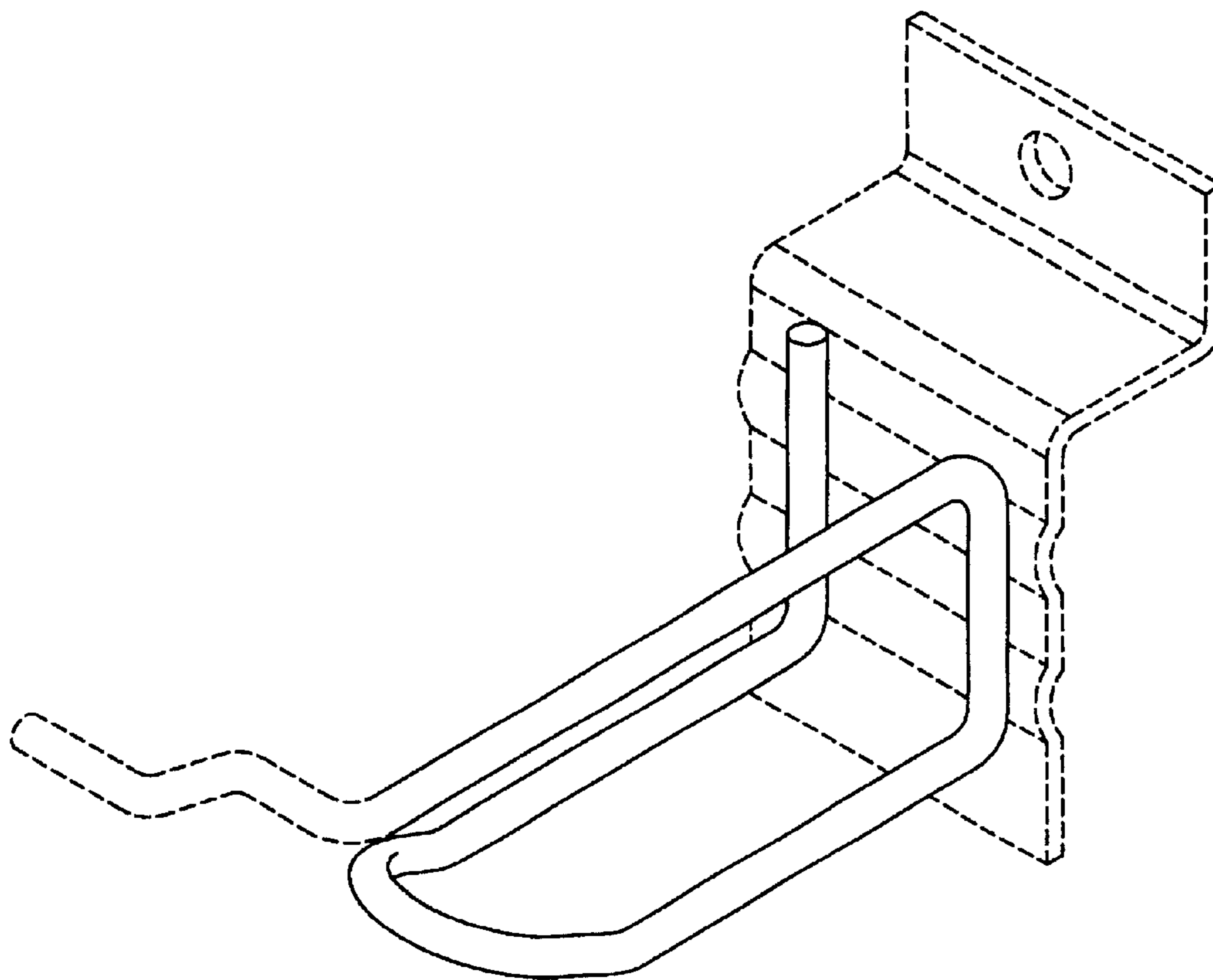


FIG. 8

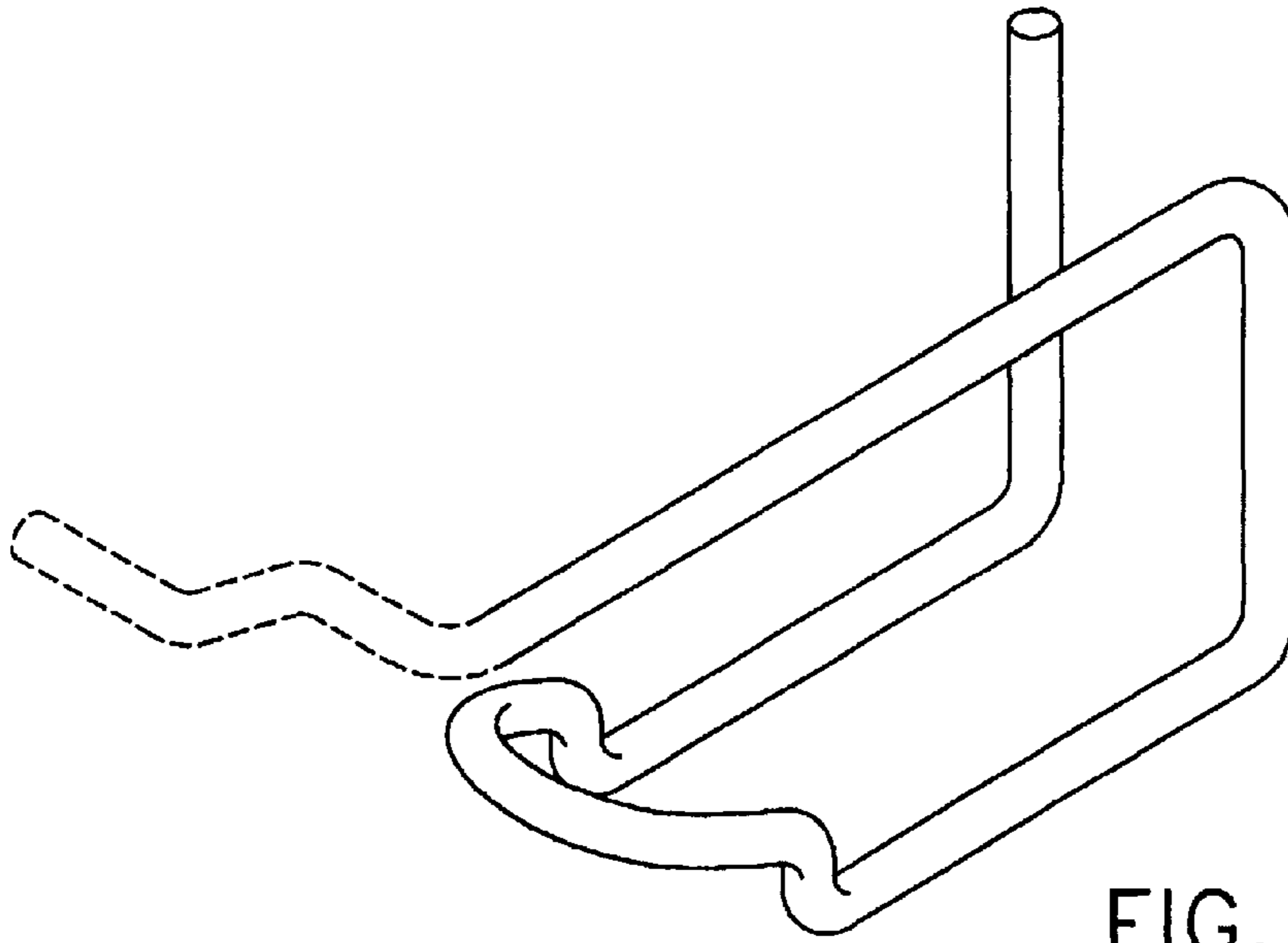


FIG. 9

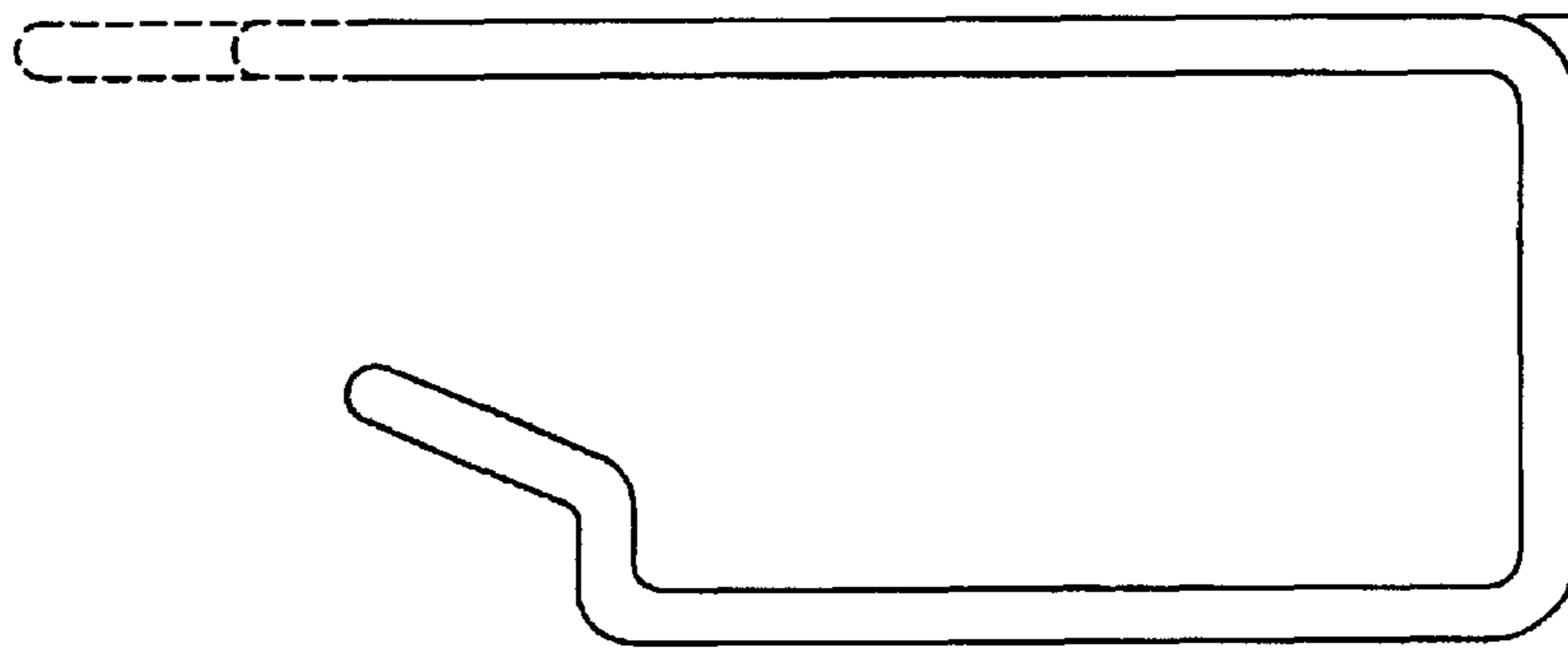


FIG. 10

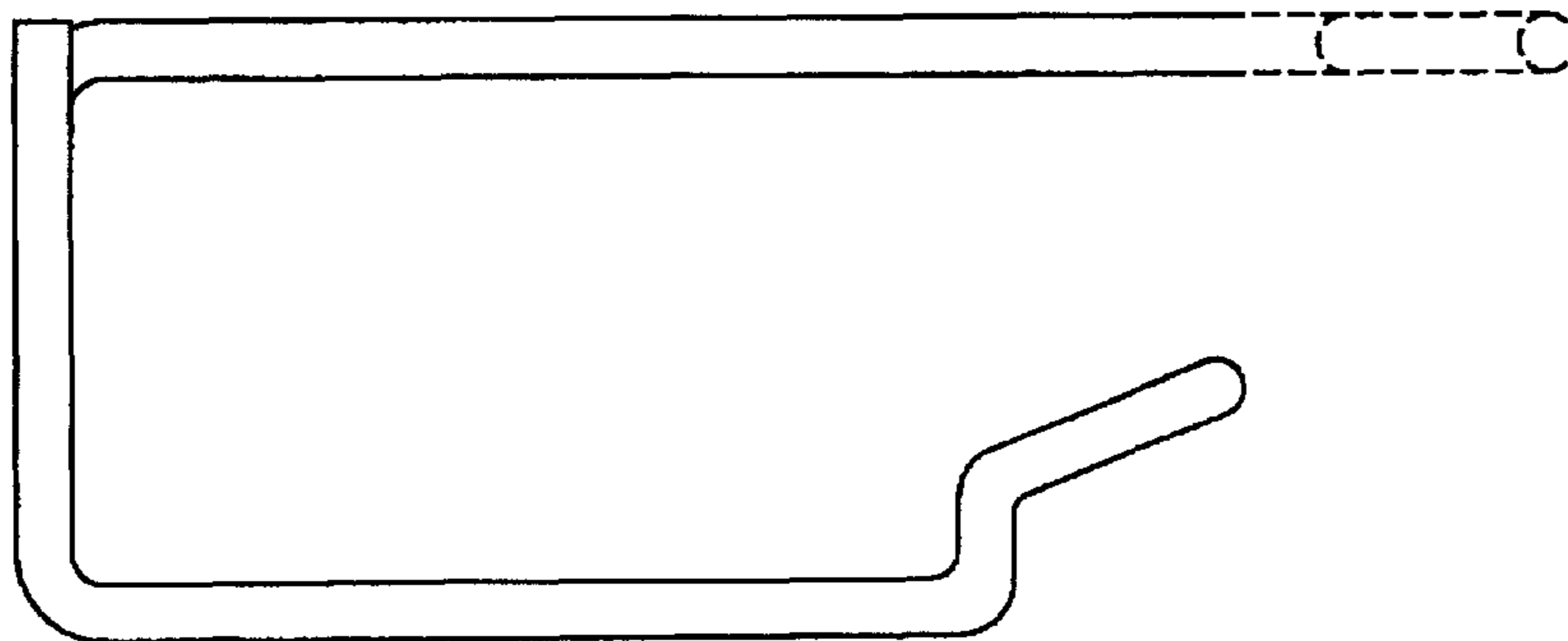


FIG. 11

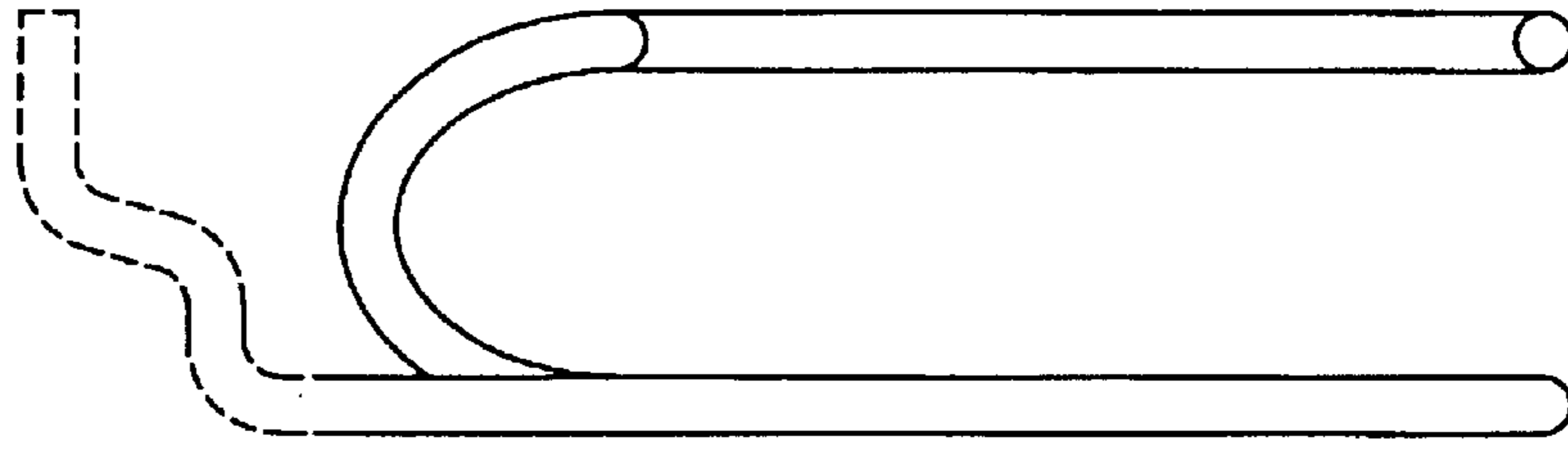


FIG. 12

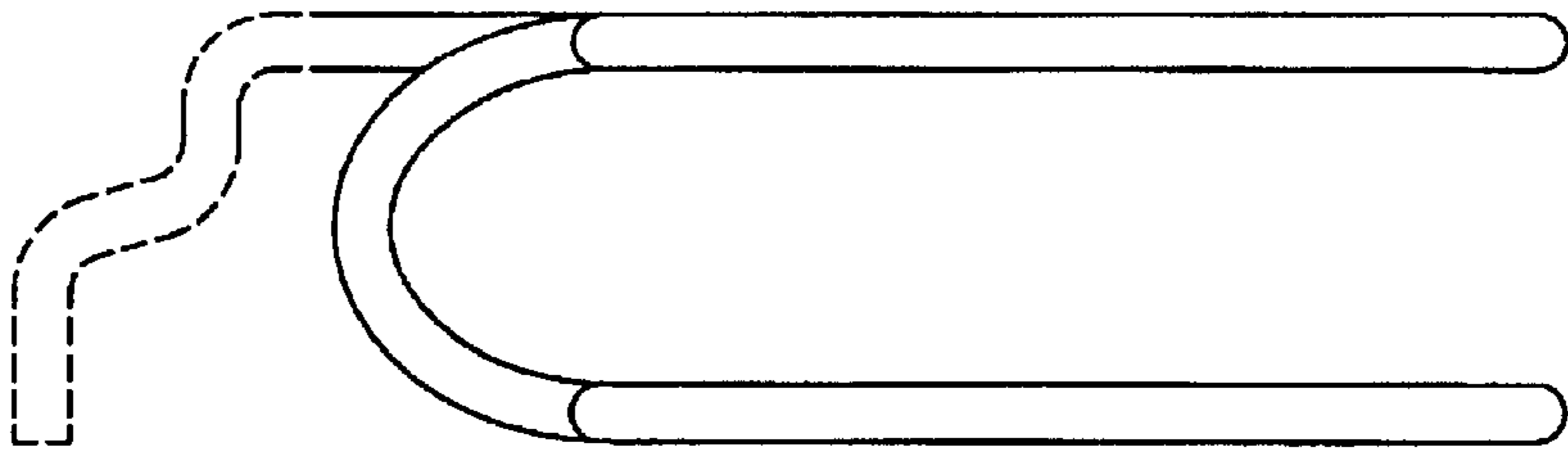


FIG. 13

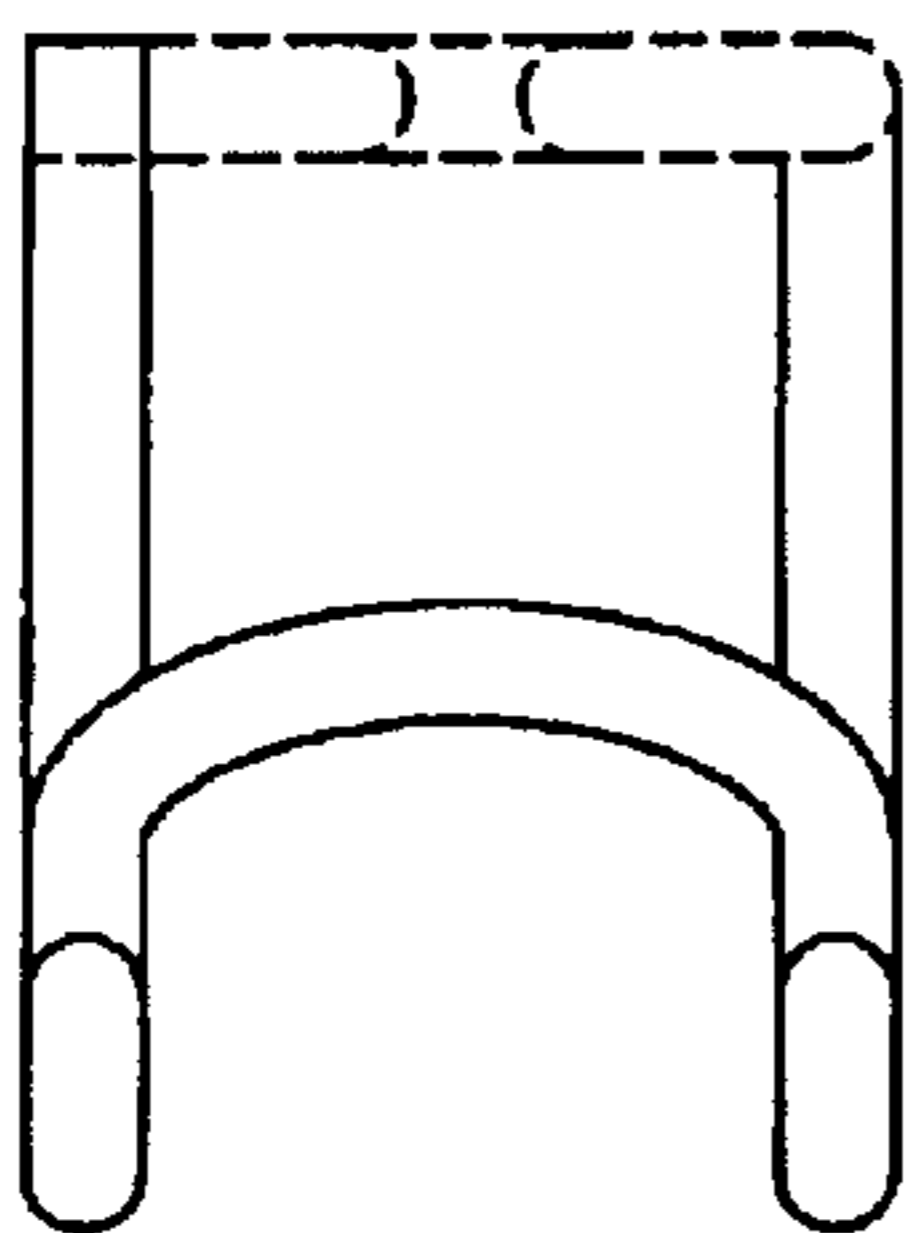


FIG. 14

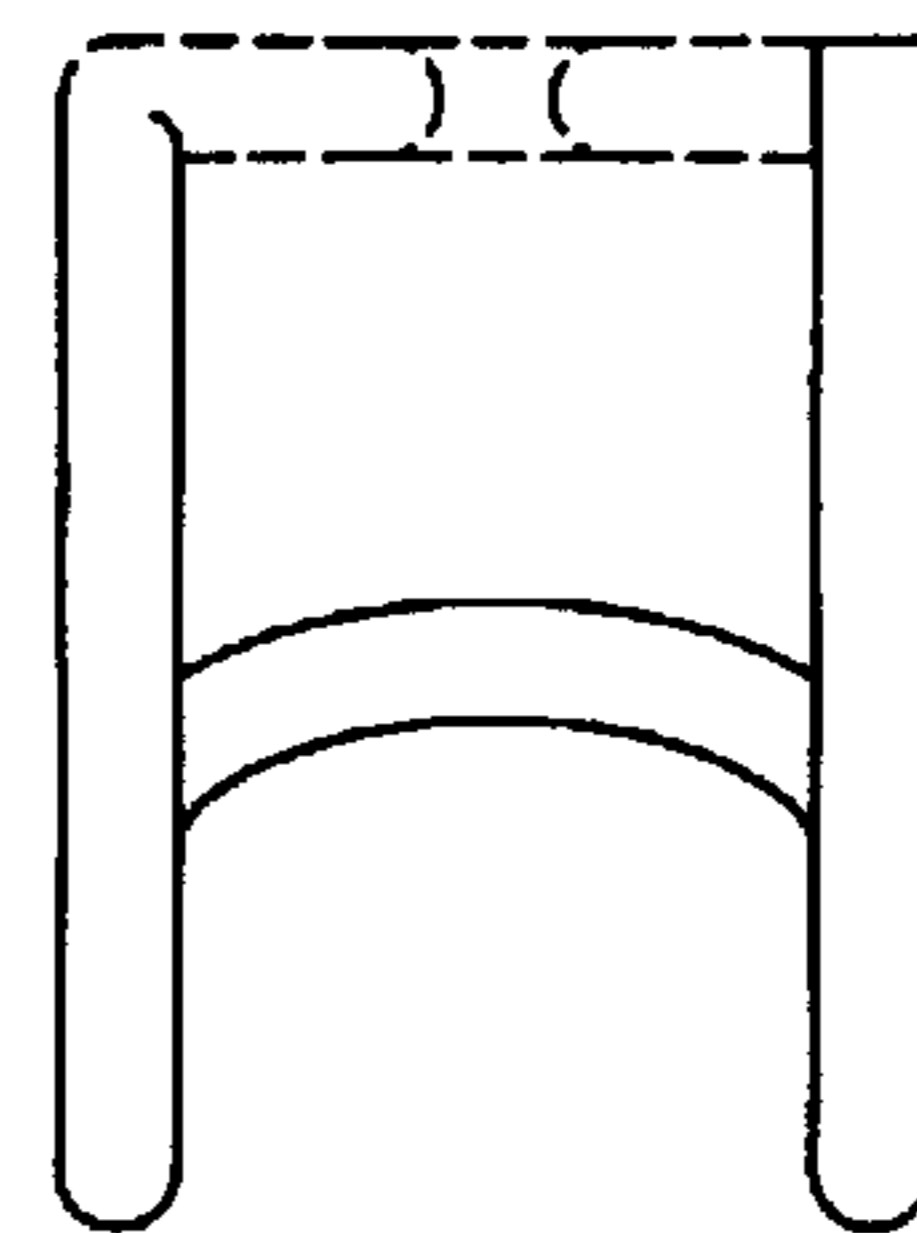


FIG. 15

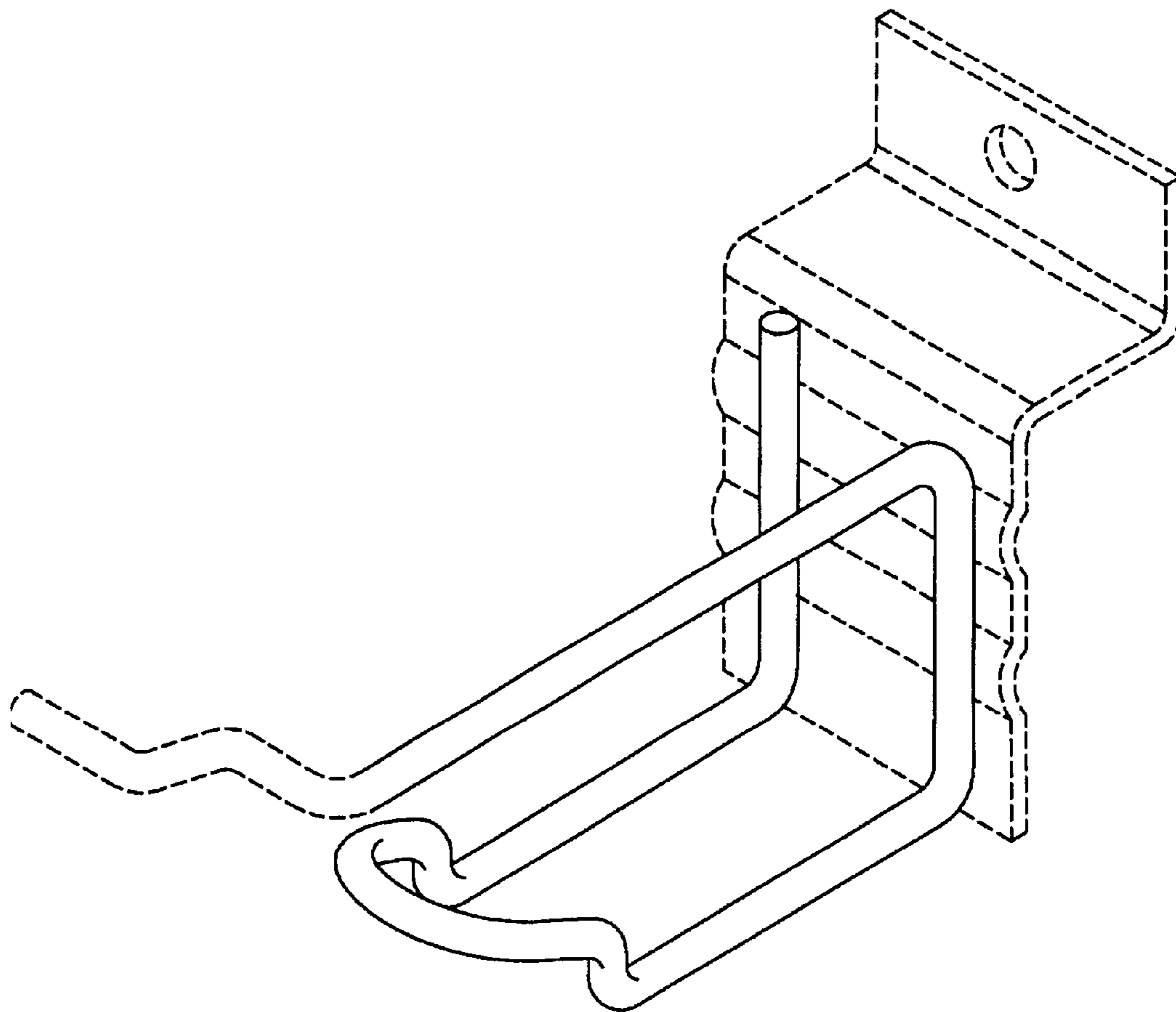


FIG. 16