



US00D518363S

(12) **United States Design Patent**  
**Bradfield et al.**

(10) **Patent No.:** **US D518,363 S**

(45) **Date of Patent:** **\*\* Apr. 4, 2006**

(54) **HOOK FOR HANGING**

(75) Inventors: **Iain Bradfield**, Norwich (GB); **Simon James Skillings**, Staffordshire (GB)

(73) Assignee: **Turner Intellectual Property Limited**, Staffordshire (GB)

(\*\*) Term: **14 Years**

(21) Appl. No.: **29/198,897**

(22) Filed: **Feb. 6, 2004**

(51) **LOC (8) Cl.** ..... **08-05**

(52) **U.S. Cl.** ..... **D8/367**

(58) **Field of Classification Search** ..... D8/367,  
D8/370, 373; 248/302-303, 215, 220.21,  
248/220.22, 220.31

See application file for complete search history.

(56) **References Cited**

**U.S. PATENT DOCUMENTS**

4,506,856 A \* 3/1985 Rich et al. .... 248/220.31

D318,790 S \* 8/1991 Brooks ..... D8/370

D345,096 S \* 3/1994 Shapiro ..... D8/373

5,881,982 A \* 3/1999 Hollingsworth

et al. .... 248/220.31

6,224,030 B1 \* 5/2001 Hepworth ..... 248/215

\* cited by examiner

*Primary Examiner*—Holly H Baynham

(74) *Attorney, Agent, or Firm*—Nikolai & Merserau, P.A.

(57) **CLAIM**

The ornamental design for a hook for hanging, as shown and described.

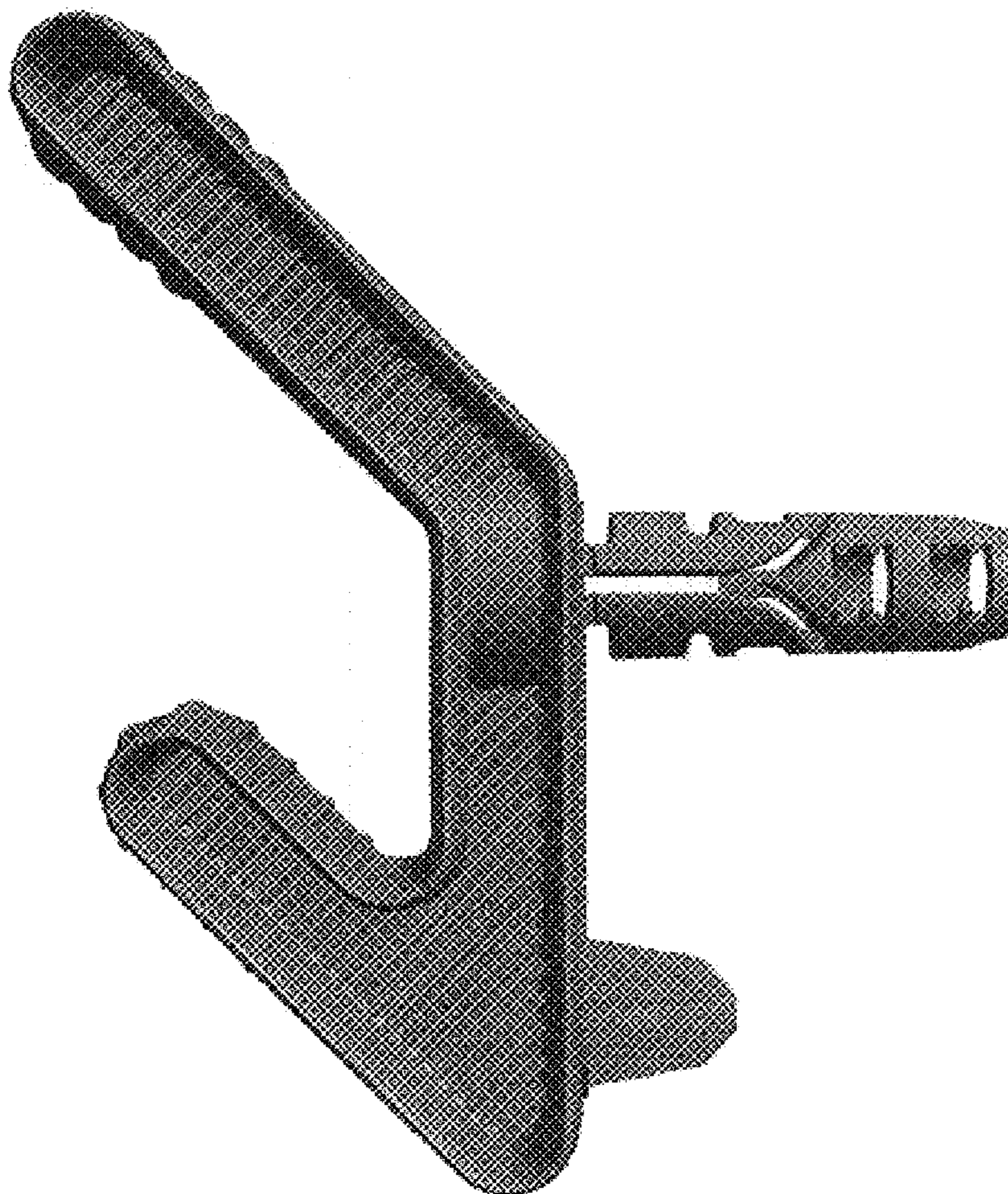
**DESCRIPTION**

FIG. 1 is a side view of a hook for hanging showing the new design;

FIG. 2 is a front perspective view thereof; and,

FIG. 3 is a rear perspective view thereof.

**1 Claim, 3 Drawing Sheets**



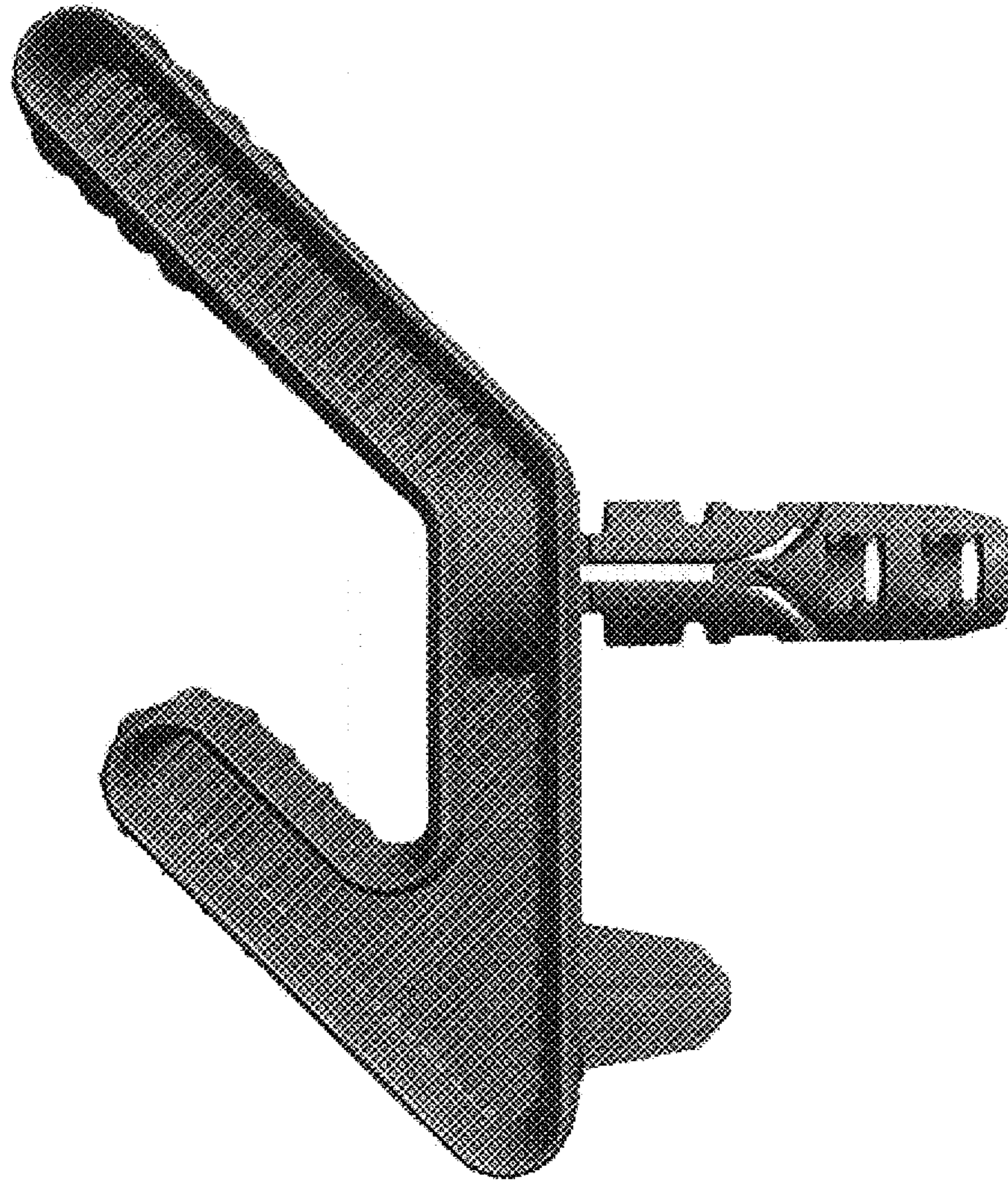


FIG. 1



FIG. 2

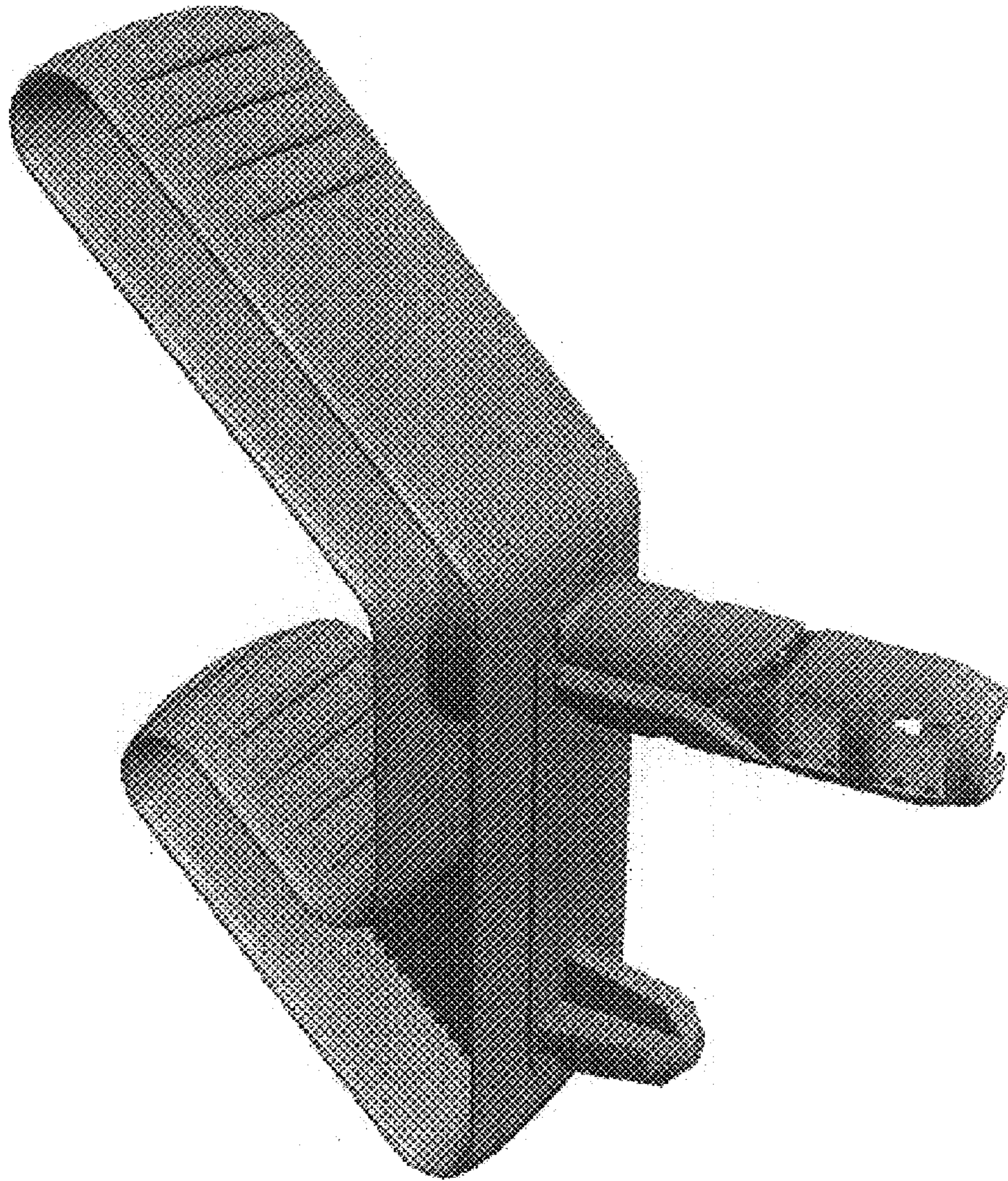


FIG. 3