



US00D518361S

(12) **United States Design Patent**
Jassenoff

(10) **Patent No.:** **US D518,361 S**

(45) **Date of Patent:** **** Apr. 4, 2006**

(54) **MOTORIZED EXTENSION CORD/HOSE REEL**

(76) Inventor: **David Jassenoff**, 14895 80th La. N.,
Loxahatchee, FL (US) 33470

(**) Term: **14 Years**

(21) Appl. No.: **29/209,068**

(22) Filed: **Jul. 12, 2004**

(51) **LOC (8) Cl.** **08-05**

(52) **U.S. Cl.** **D8/358; D8/359; D34/26**

(58) **Field of Classification Search** D8/358-359;
D34/26, 34; 137/355.16, 355.28, 355.26;
191/12.4; 242/403.1, 399, 395.1, 395, 118.4,
242/129, 470

See application file for complete search history.

(56) **References Cited**

U.S. PATENT DOCUMENTS

2,225,180	A	*	12/1940	Olesen	242/118.4
2,650,771	A	*	9/1953	Marion	242/470
3,322,398	A	*	5/1967	Smith	254/346
3,719,348	A		3/1973	Wells		
4,012,002	A		3/1977	McDonald et al.		
4,588,167	A	*	5/1986	Finzel	254/346
D288,773	S	*	3/1987	Ward	D8/359

4,830,300	A		5/1989	Taylor et al.		
D317,113	S	*	5/1991	Fowler	D8/358
5,029,704	A		7/1991	Stillinger		
D330,506	S	*	10/1992	Clivio	D8/359
D334,882	S	*	4/1993	Bunch	D8/359
5,230,481	A		7/1993	Wheeler et al.		
5,279,469	A	*	1/1994	Foit	254/278
D349,039	S	*	7/1994	Goodman et al.	D8/359
D352,232	S	*	11/1994	Apgar	D8/359
D365,012	S	*	12/1995	Sather	D8/359
D400,083	S	*	10/1998	Bodine	D8/359
D483,248	S	*	12/2003	Roman	D8/359
D505,313	S	*	5/2005	Hart	D8/359

* cited by examiner

Primary Examiner—Holly H. Baynham

(74) *Attorney, Agent, or Firm*—Richard L. Mikesell

(57) **CLAIM**

The ornamental design for a motorized extension cord/hose reel, as shown and described.

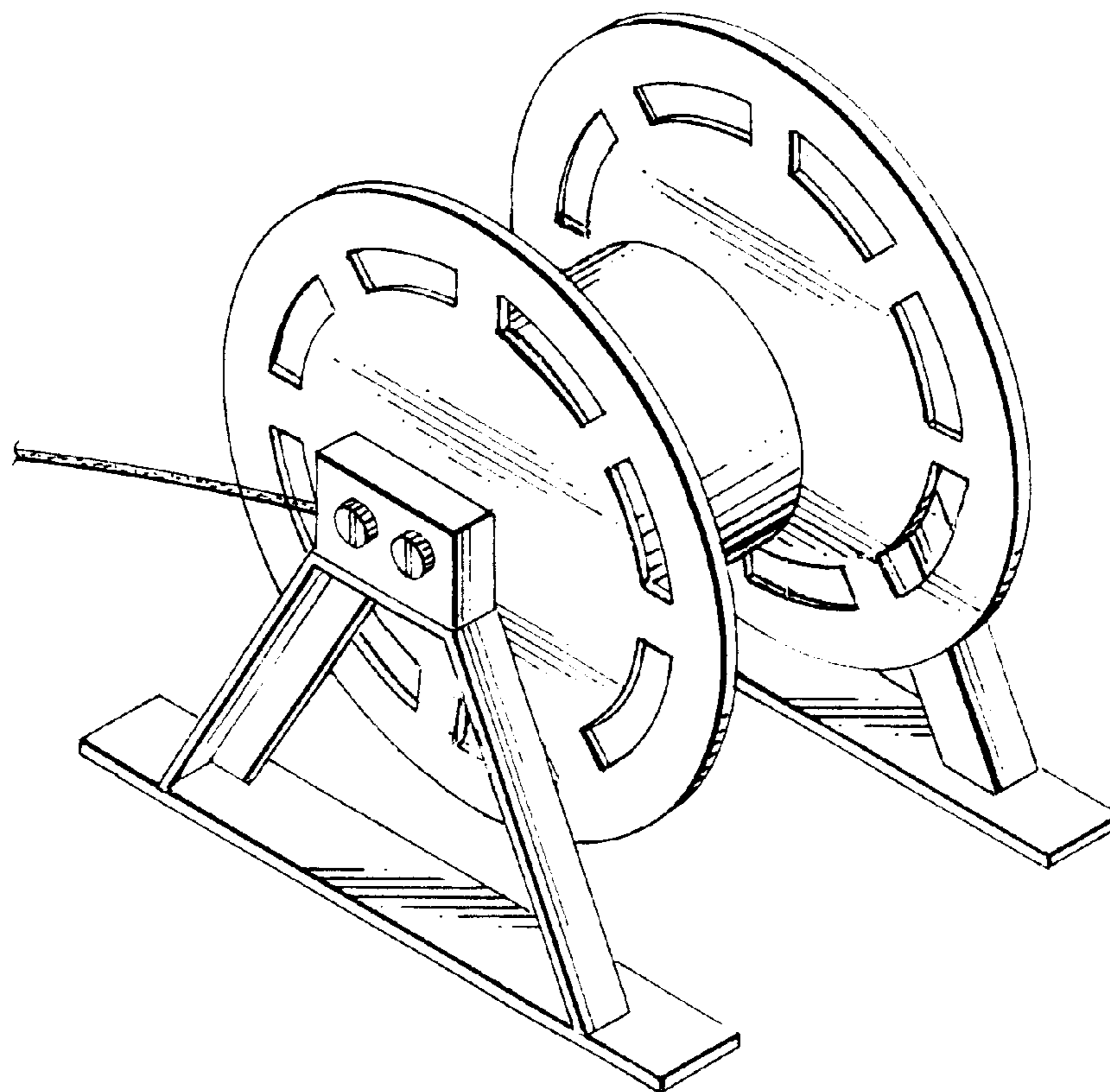
DESCRIPTION

FIG. 1 is a top left side perspective view of the design of the instant invention;

FIG. 2 is a Rear elevation; and,

FIG. 3 is a right side view thereof.

1 Claim, 1 Drawing Sheet



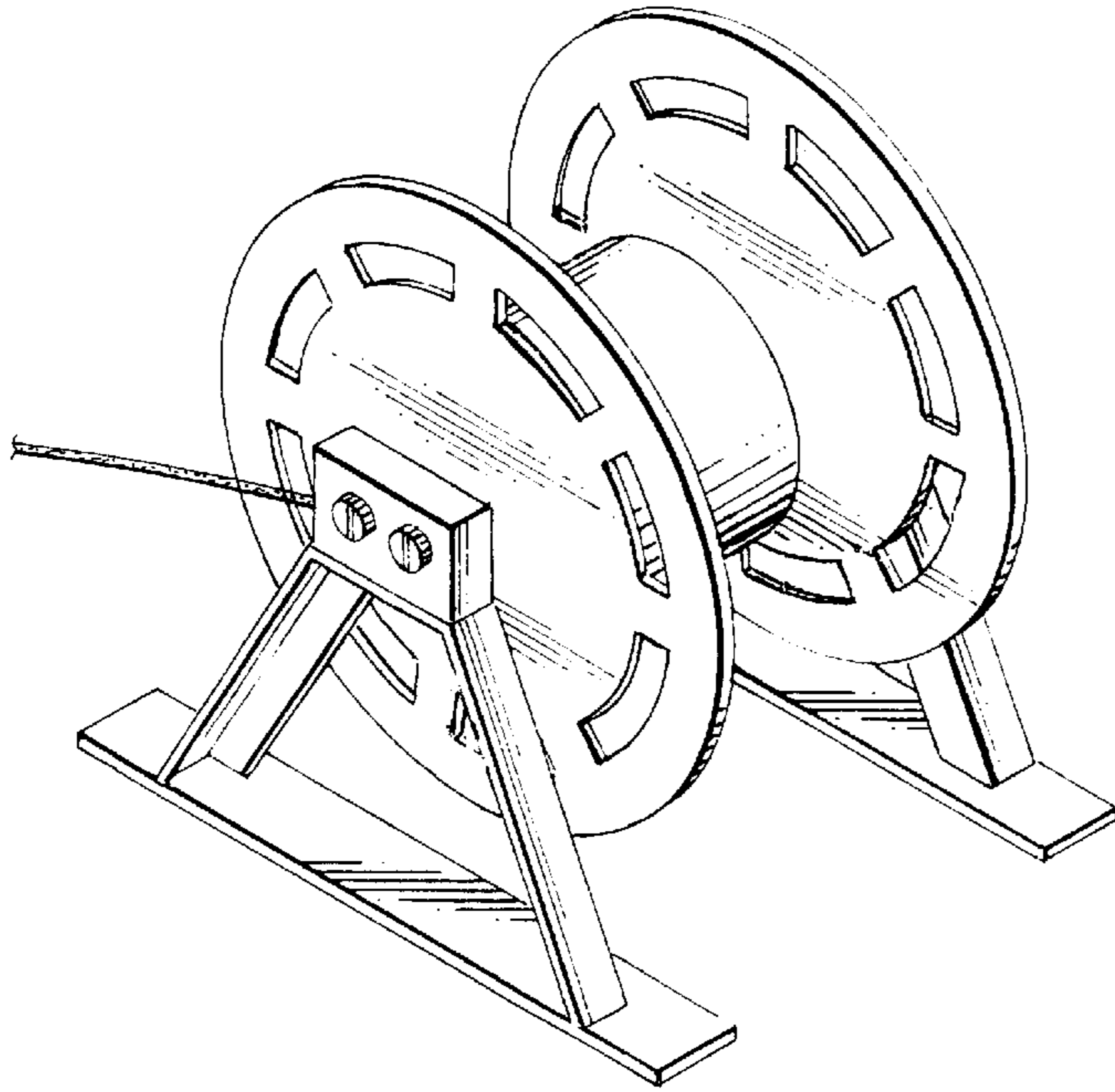


FIG. 1

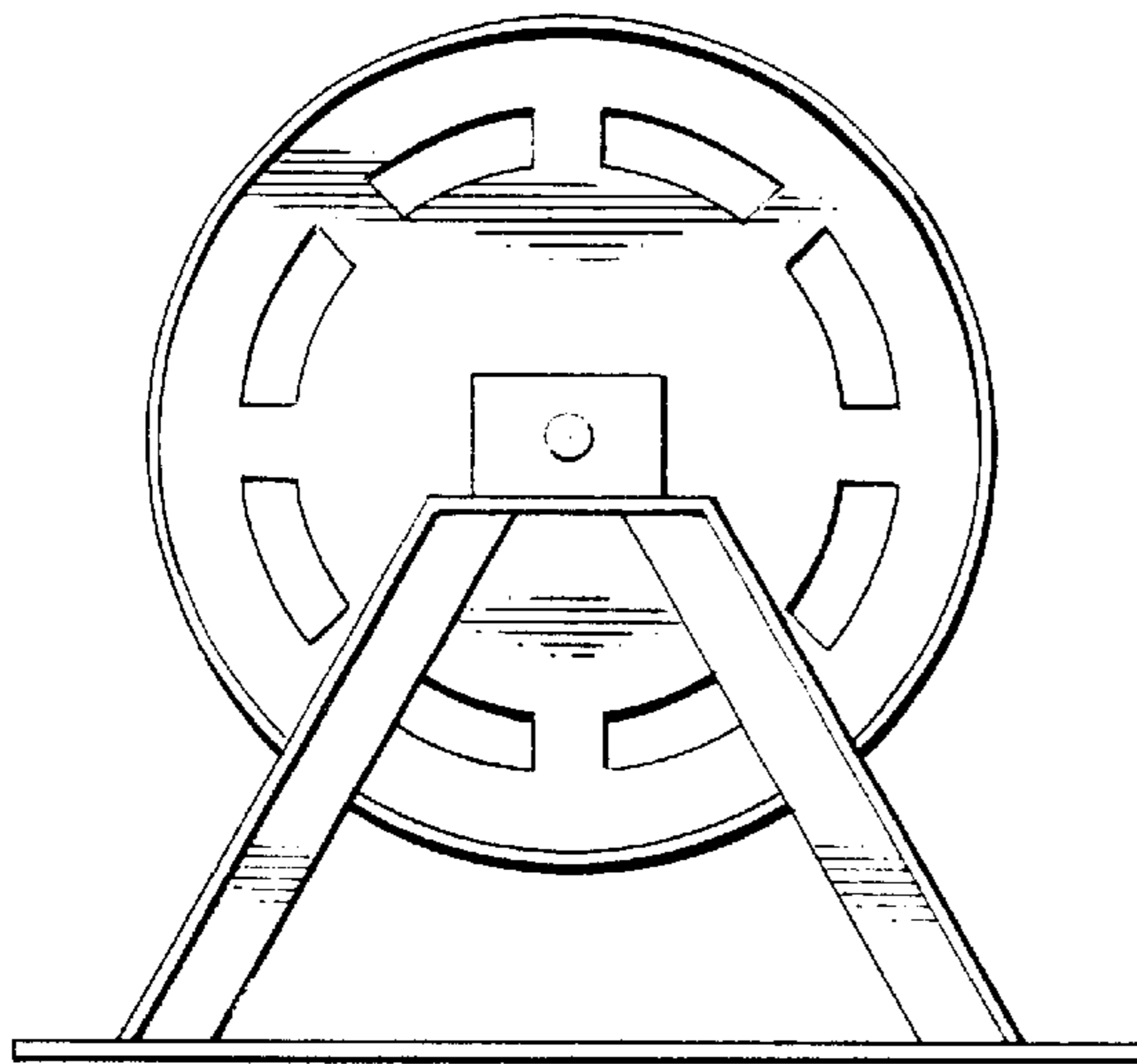


FIG. 3

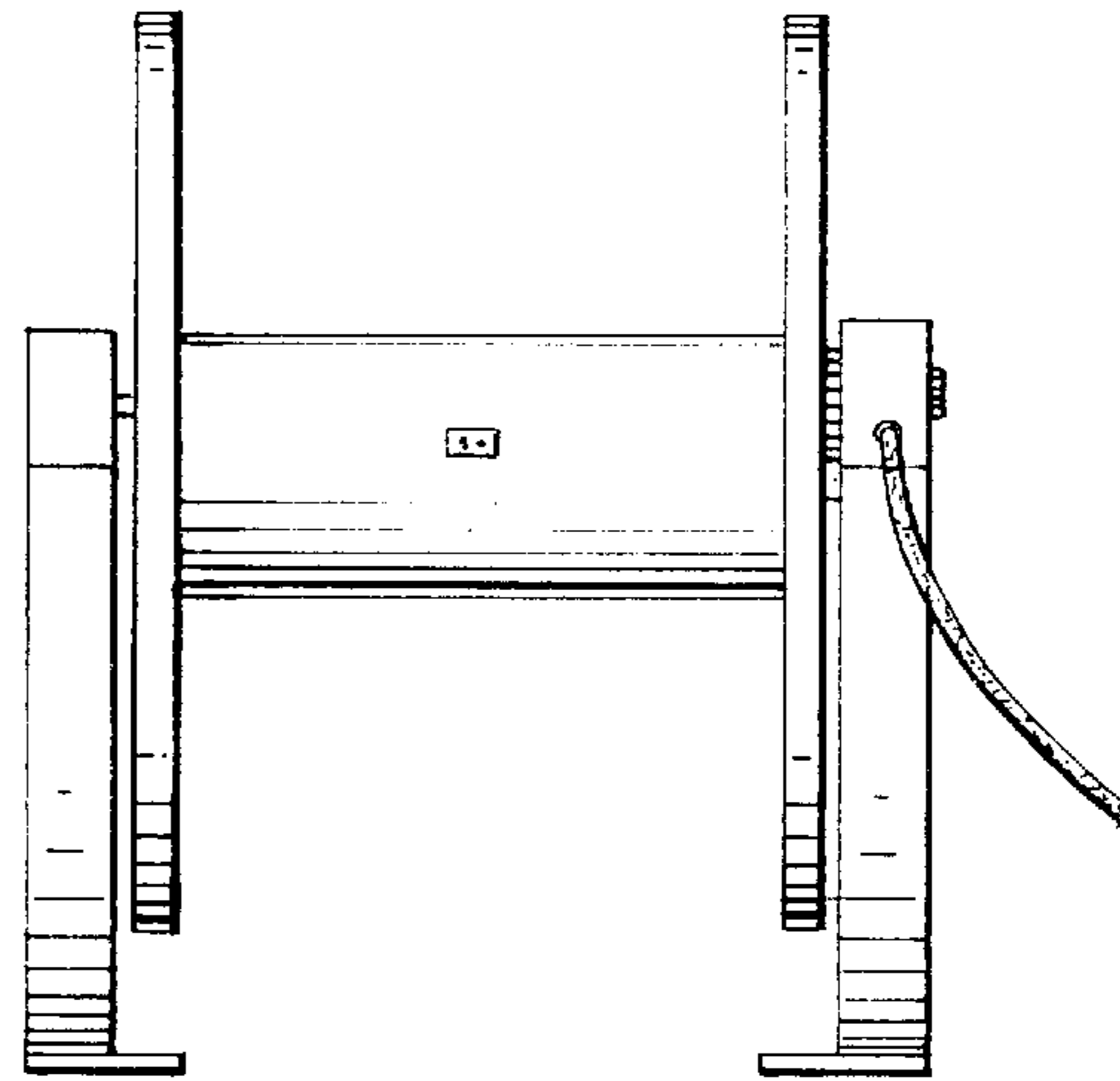


FIG. 2