



US00D518360S

(12) **United States Design Patent**  
**Kelleghan**

(10) **Patent No.:** **US D518,360 S**

(45) **Date of Patent:** **\*\* Apr. 4, 2006**

(54) **BISON SHAPED CARABINER**

(75) Inventor: **Brian James Kelleghan**, Longmont,  
CO (US)

(73) Assignee: **Bison Designs, L.L.C.**, Longmont, CA  
(US)

(\*\*) Term: **14 Years**

(21) Appl. No.: **29/224,415**

(22) Filed: **Mar. 1, 2005**

(51) **LOC (8) Cl.** ..... **08-05**

(52) **U.S. Cl.** ..... **D8/356**

(58) **Field of Classification Search** ..... D8/356,  
D8/38, 333, 367, 370, 383; D21/400, 584;  
D11/158, 133, 157, 200, 211; 24/599.5, 587.1;  
248/231.9, 925; 294/82.17, 82.19; 428/7,  
428/13; D7/676, 675; D1/107; D23/207  
See application file for complete search history.

D448,276 S	9/2001	Kelleghan	
D465,993 S	11/2002	Kelleghan	
D475,276 S	* 6/2003	Kelleghan	..... D8/356
D476,218 S	* 6/2003	Kelleghan	..... D8/356
D480,944 S	* 10/2003	Kelleghan	..... D8/356
D486,056 S	* 2/2004	Kelleghan	..... D8/356
D486,377 S	* 2/2004	Kelleghan	..... D8/356
D488,707 S	4/2004	Shalijian	
D491,047 S	* 6/2004	Kelleghan	..... D8/356
D495,587 S	9/2004	Kelleghan	
D496,252 S	9/2004	Oas	
D501,787 S	2/2005	Kelleghan	

\* cited by examiner

*Primary Examiner*—Ruth McInroy

*Assistant Examiner*—Terrence Huang

(74) *Attorney, Agent, or Firm*—Margaret Polson; Patent  
Law Offices of Rick Martin, P.C.

(57) **CLAIM**

The ornamental design for a bison shaped carabiner, as  
shown and described.

(56) **References Cited**

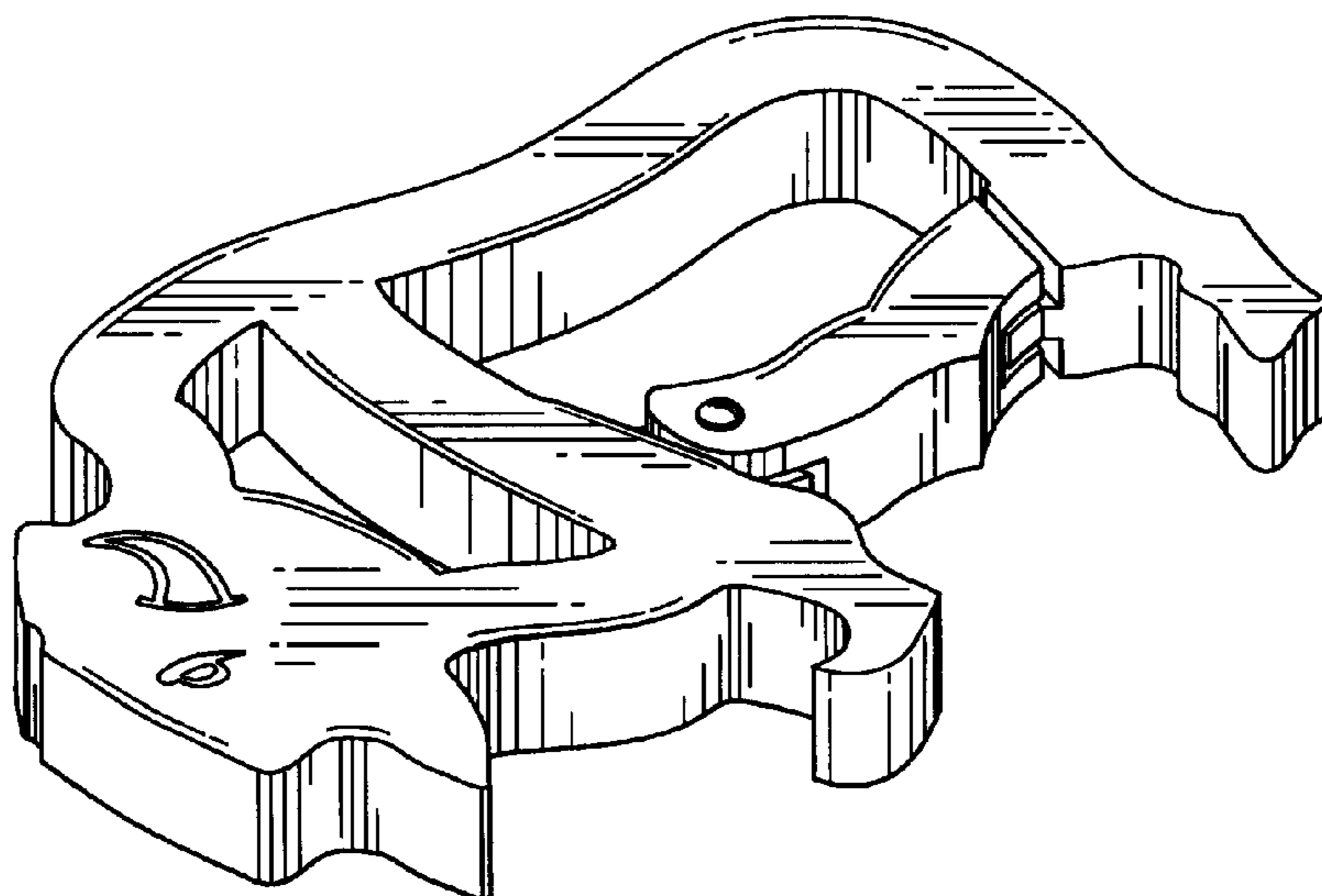
U.S. PATENT DOCUMENTS

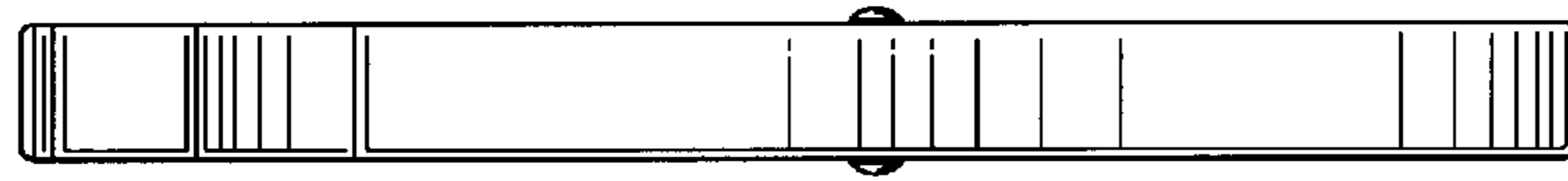
D279,967 S	* 8/1985	Carbajales Santa-Eulalia et al.	..... D11/158
D298,563 S	* 11/1988	Kitamura	..... D21/584
D324,083 S	* 2/1992	Gelen	..... D21/400
D325,068 S	* 3/1992	Gaury	..... D23/207
D356,012 S	* 3/1995	Lombardi	..... D7/676
5,463,798 A	* 11/1995	Wurzer	..... 24/599.5
D411,786 S	* 7/1999	Cianci	..... D7/675

**DESCRIPTION**

FIG. 1 is a top view of a bison shaped carabiner of my new  
design, the opposite side being a mirror image;  
FIG. 2 is a left side elevation view of FIG. 1.  
FIG. 3 is a right side elevation view of FIG. 1.  
FIG. 4 is a rear side elevation view of FIG. 1.  
FIG. 5 is a front side elevation view of FIG. 1; and,  
FIG. 6 is a top perspective view of FIG. 1.

**1 Claim, 1 Drawing Sheet**

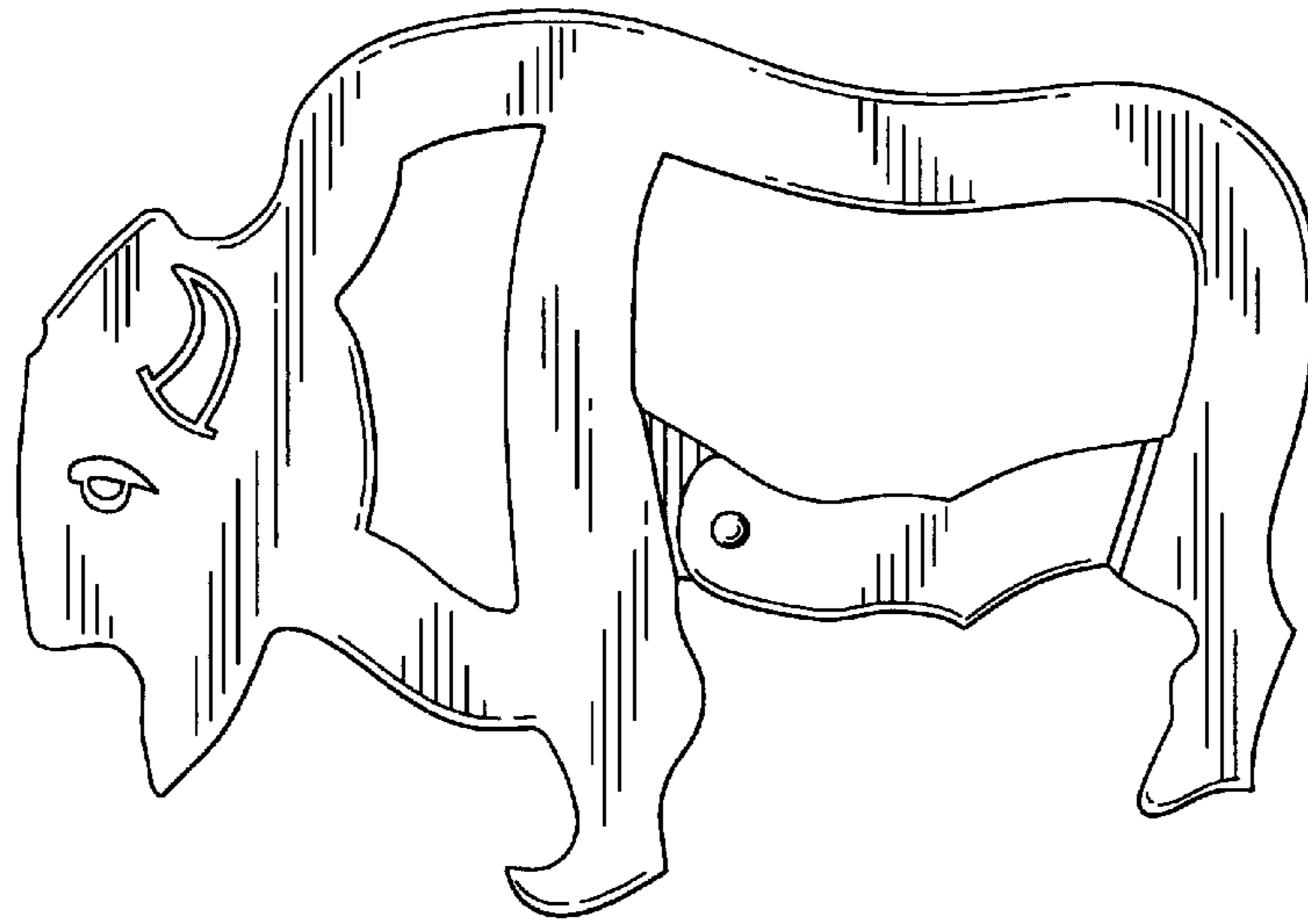




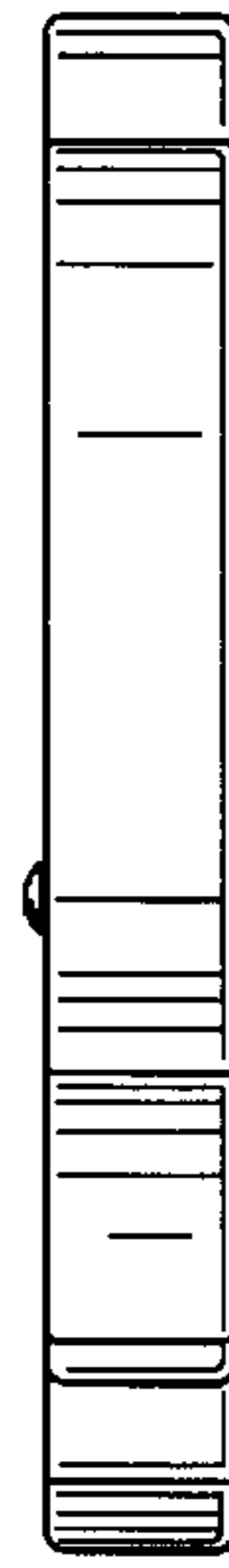
**FIG. 4**



**FIG. 2**



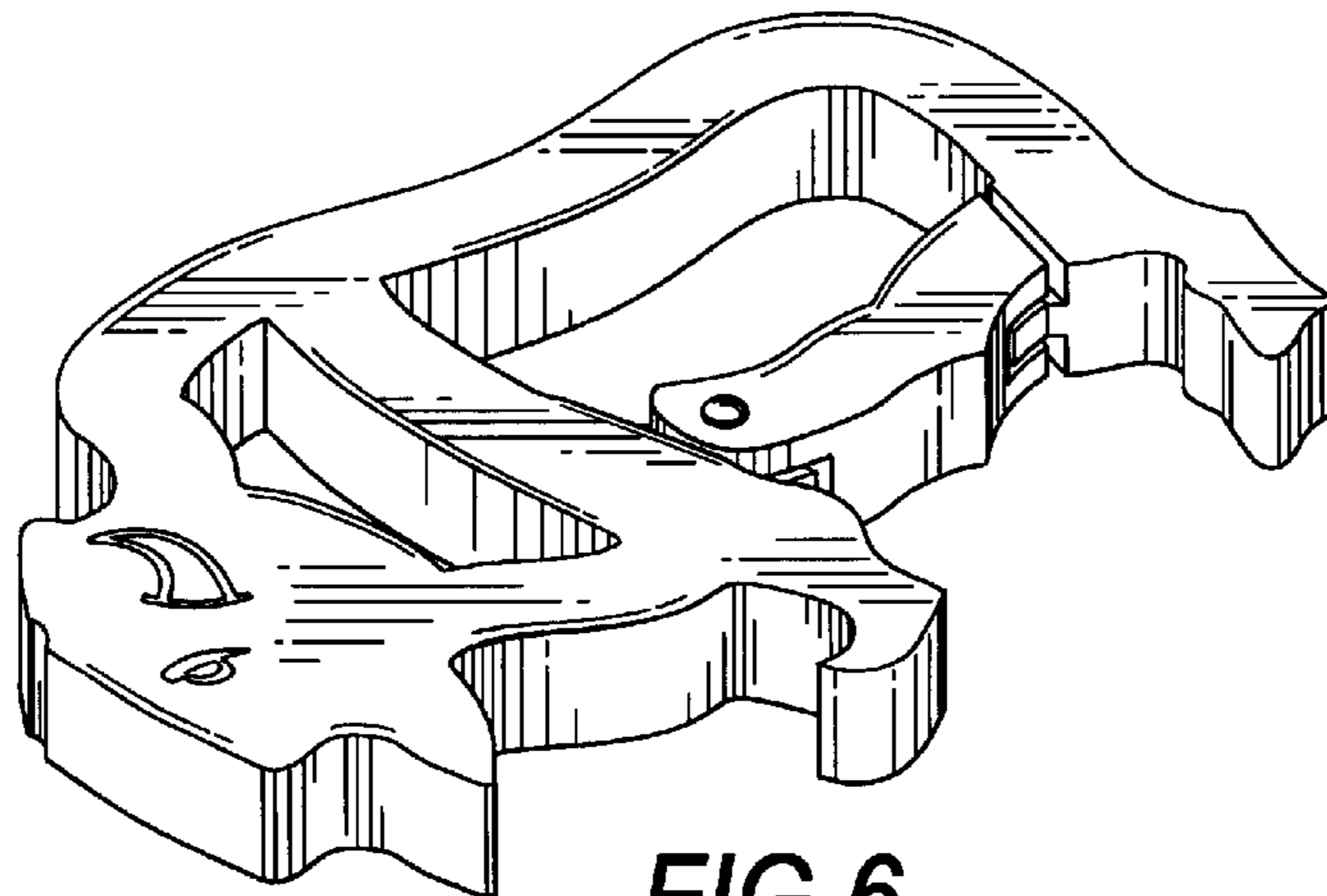
**FIG. 1**



**FIG. 3**



**FIG. 5**



**FIG. 6**