



US00D518358S

(12) **United States Design Patent**
Senn

(10) **Patent No.:** **US D518,358 S**

(45) **Date of Patent:** **** Apr. 4, 2006**

(54) **LOCKING CAM**

(75) Inventor: **Brian A. Senn**, South Milwaukee, WI
(US)

(73) Assignee: **Powerbrace Corporation**, Kenosha,
WI (US)

(**) Term: **14 Years**

(21) Appl. No.: **29/213,595**

(22) Filed: **Sep. 20, 2004**

Related U.S. Application Data

(63) Continuation-in-part of application No. 29/195,964, filed on
Dec. 19, 2003, now abandoned.

(51) **LOC (8) Cl.** **08-07**

(52) **U.S. Cl.** **D8/343**

(58) **Field of Classification Search** D8/330,
D8/331, 343, 349, 499; 70/51, 431; 292/27,
292/37, 49, 65, 83, 111, 124, 132, 159, 169,
292/98, 187, 140, 215, 224, 234, 197
See application file for complete search history.

(56) **References Cited**

U.S. PATENT DOCUMENTS

2,737,406 A 3/1956 Brookbank
D228,169 S * 8/1973 Morris D8/343
3,752,519 A 8/1973 Nordell et al.

3,899,905 A 8/1975 Walters
D242,428 S 11/1976 Morris
D247,871 S * 5/1978 Shaw et al. D8/343
D294,452 S * 3/1988 Bakula D8/330
5,314,218 A 5/1994 Naderay
D351,987 S 11/1994 Lee
D353,318 S 12/1994 Lee
D353,533 S 12/1994 Lee
5,785,362 A 7/1998 Nadheray
5,915,766 A 6/1999 Baumeiser et al.
6,155,614 A 12/2000 Lange

* cited by examiner

Primary Examiner—Prabhakar Deshmukh

(74) *Attorney, Agent, or Firm*—John W. Harbst

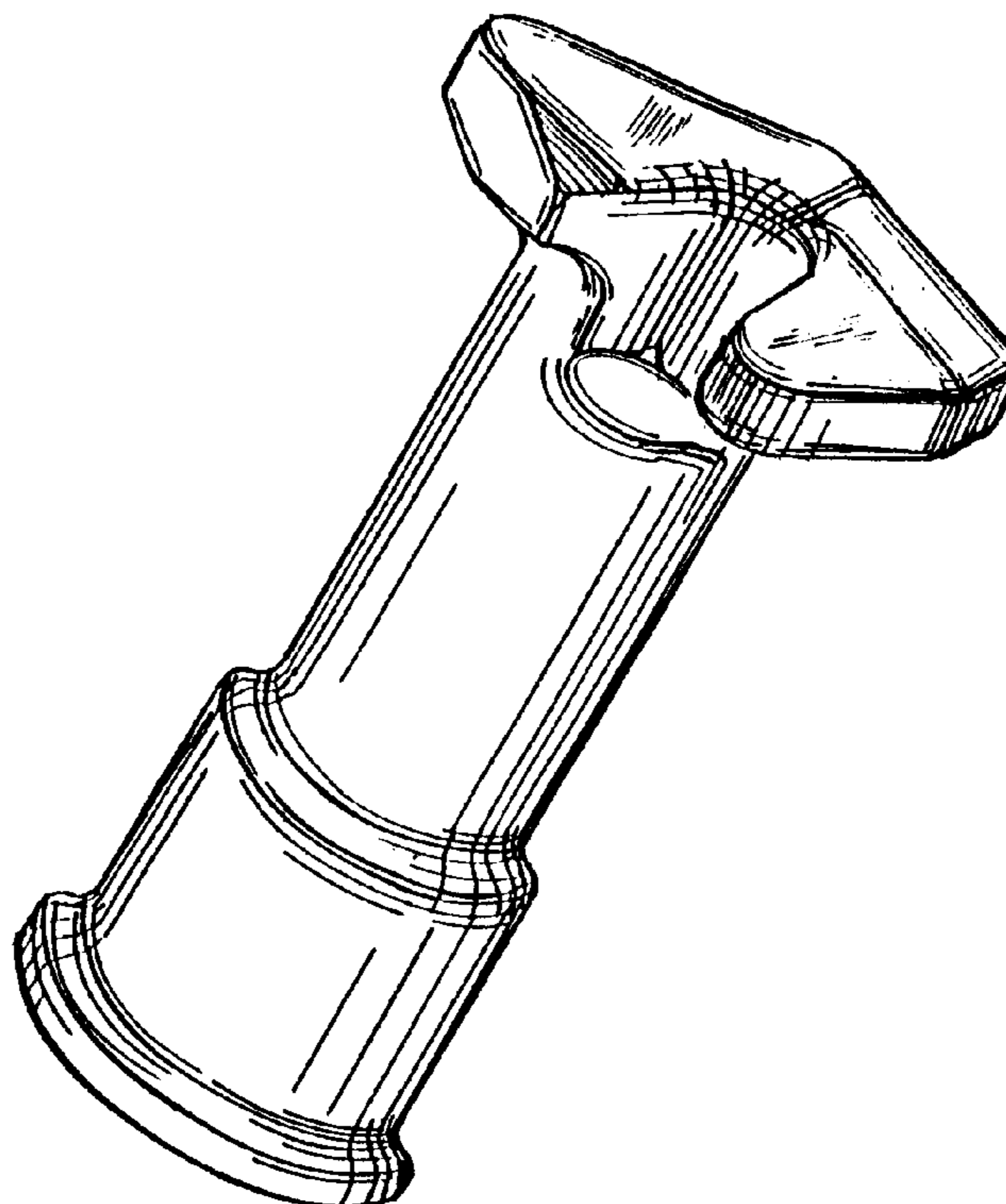
(57) **CLAIM**

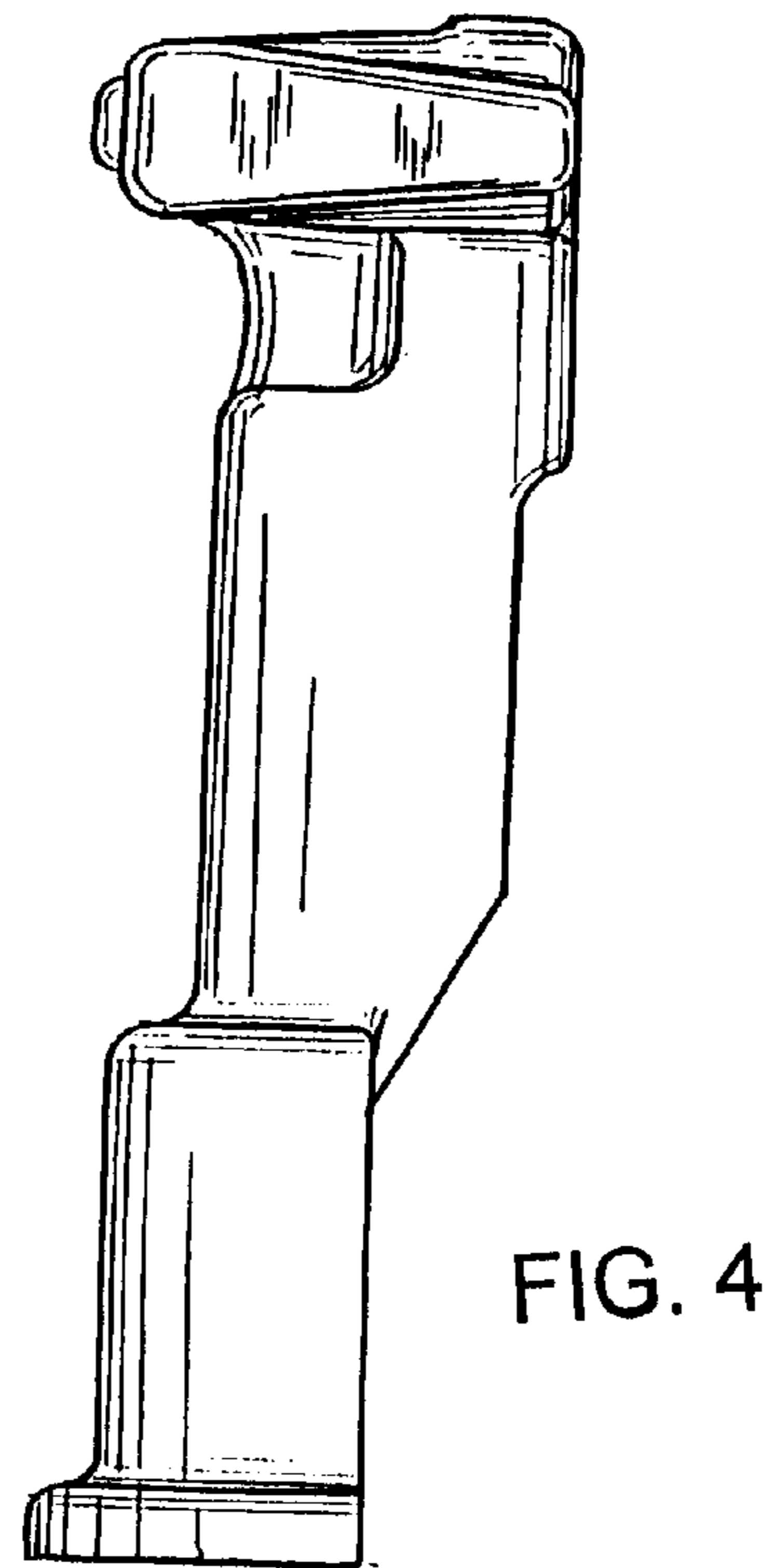
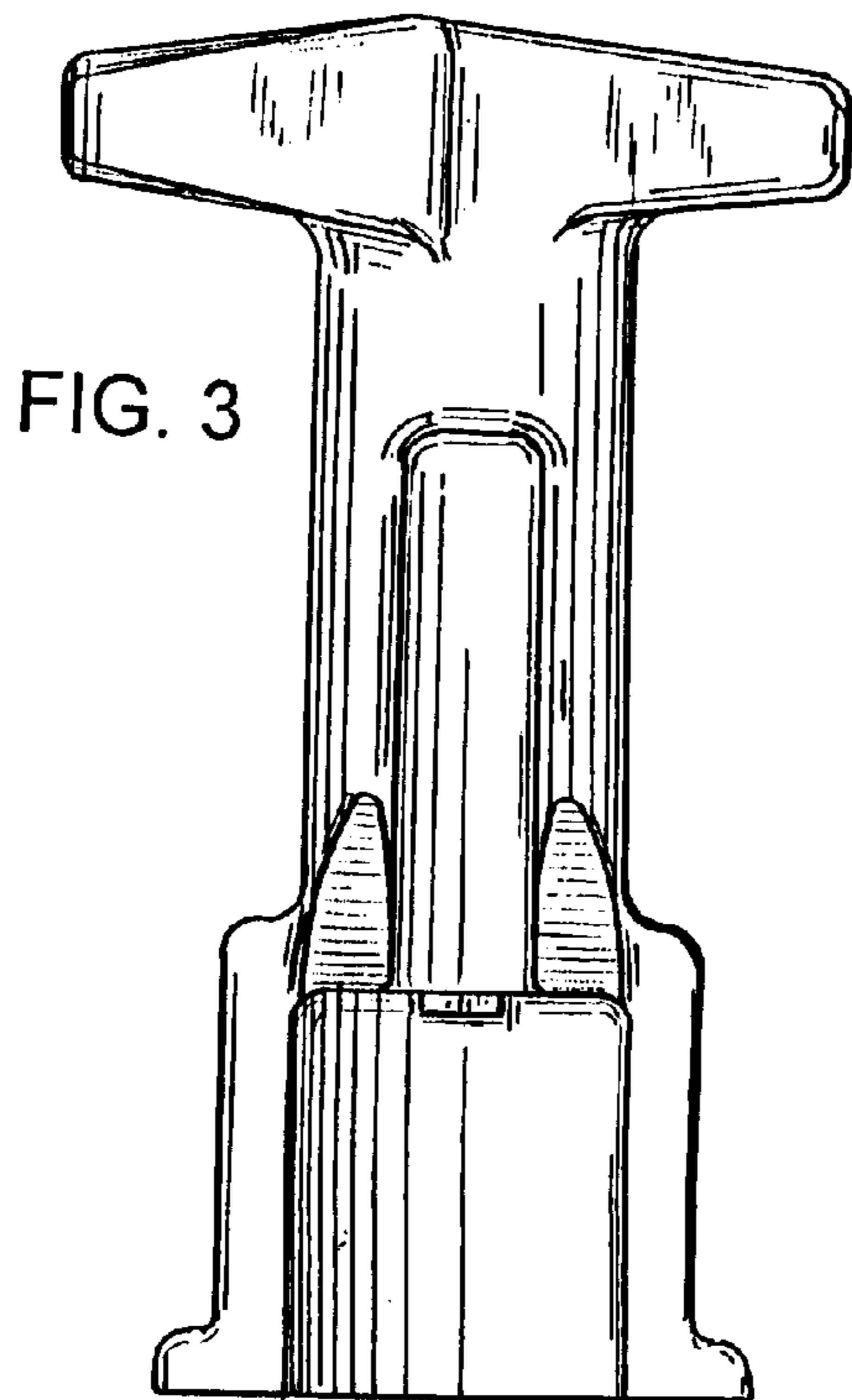
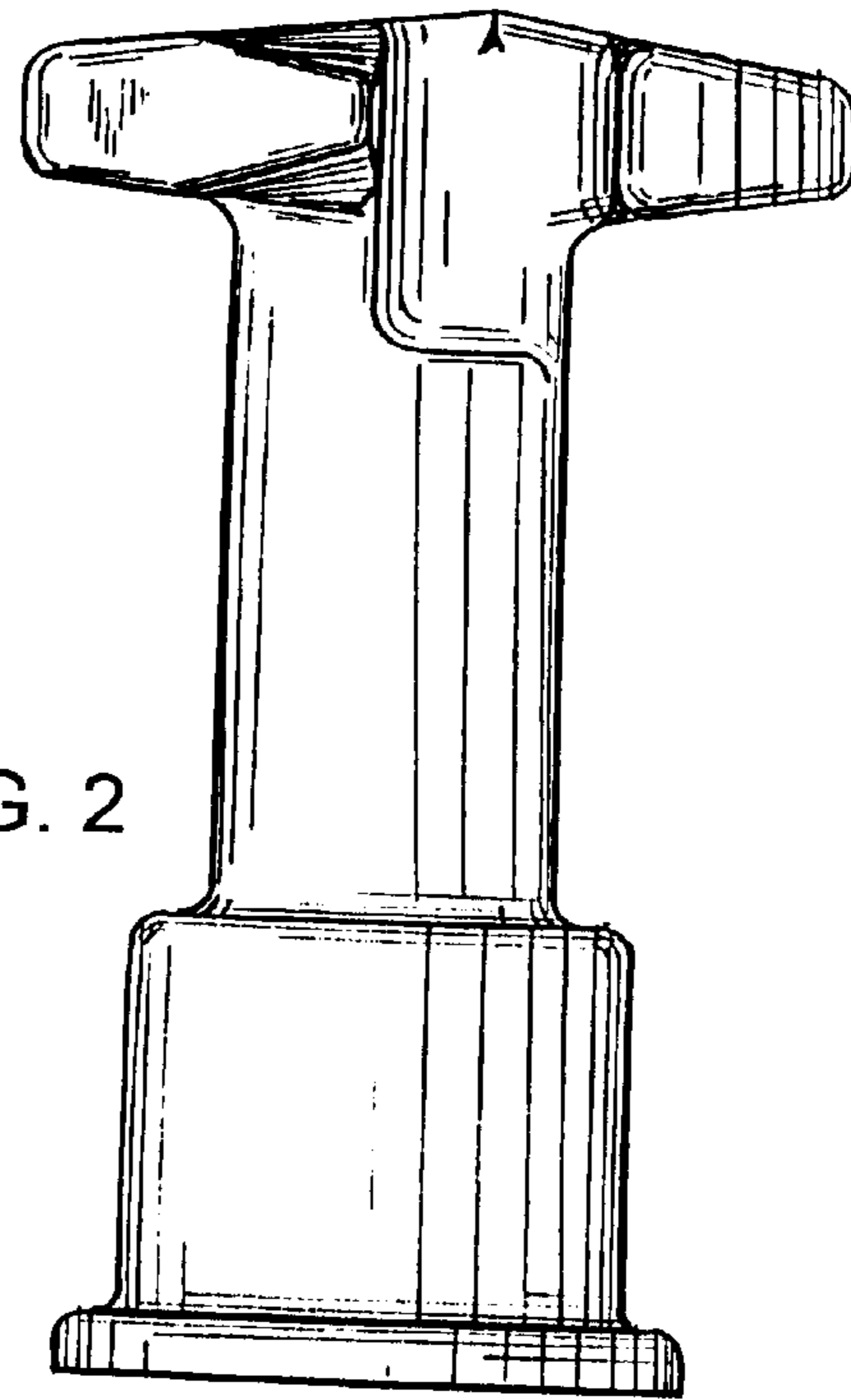
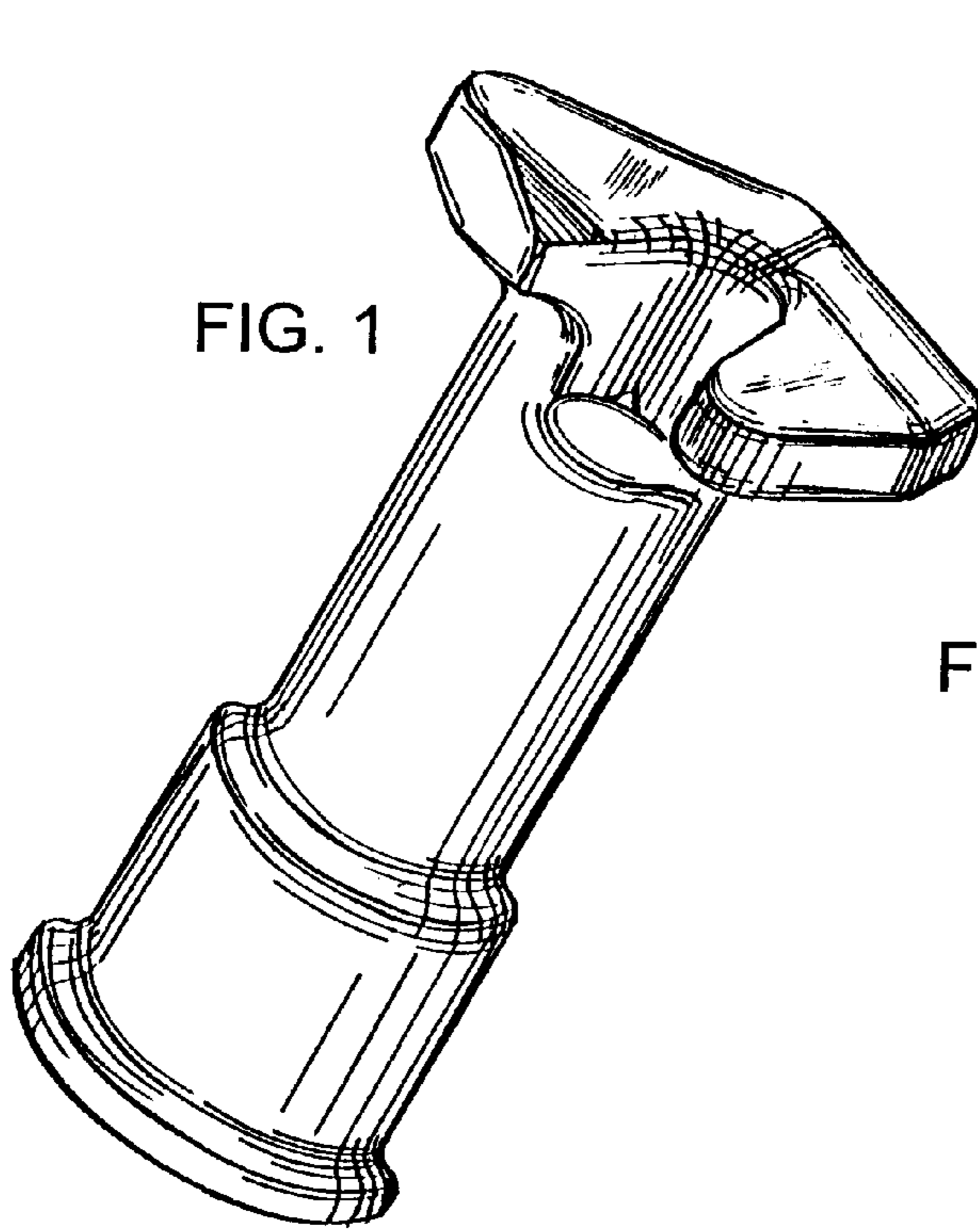
The ornamental design for a locking cam, as shown and
described.

DESCRIPTION

FIG. 1 is a front side perspective view of one embodiment
of a locking cam showing my new deign;
FIG. 2 is a front elevational view thereof;
FIG. 3 is a rear elevational view thereof;
FIG. 4 is a right side elevational view thereof;
FIG. 5 is left side elevational view thereof;
FIG. 6 is a bottom plan view thereof;
FIG. 7 is a top plan view thereof; and,
FIG. 8 is a rear side perspective view thereof.

1 Claim, 2 Drawing Sheets





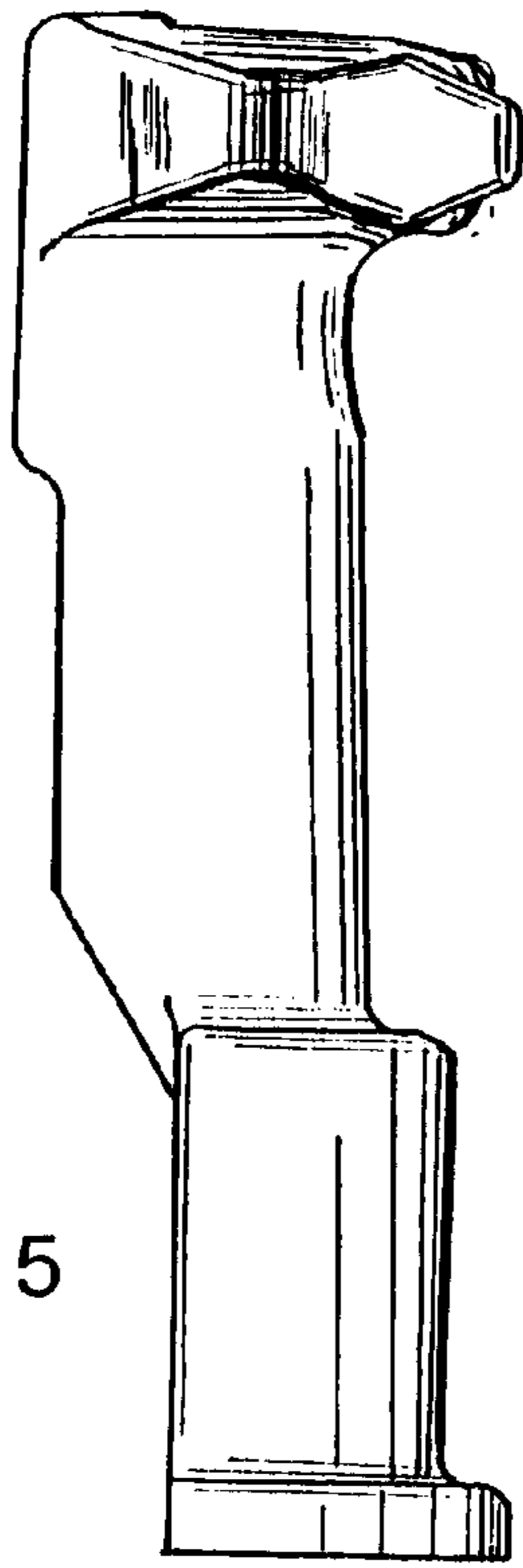


FIG. 5

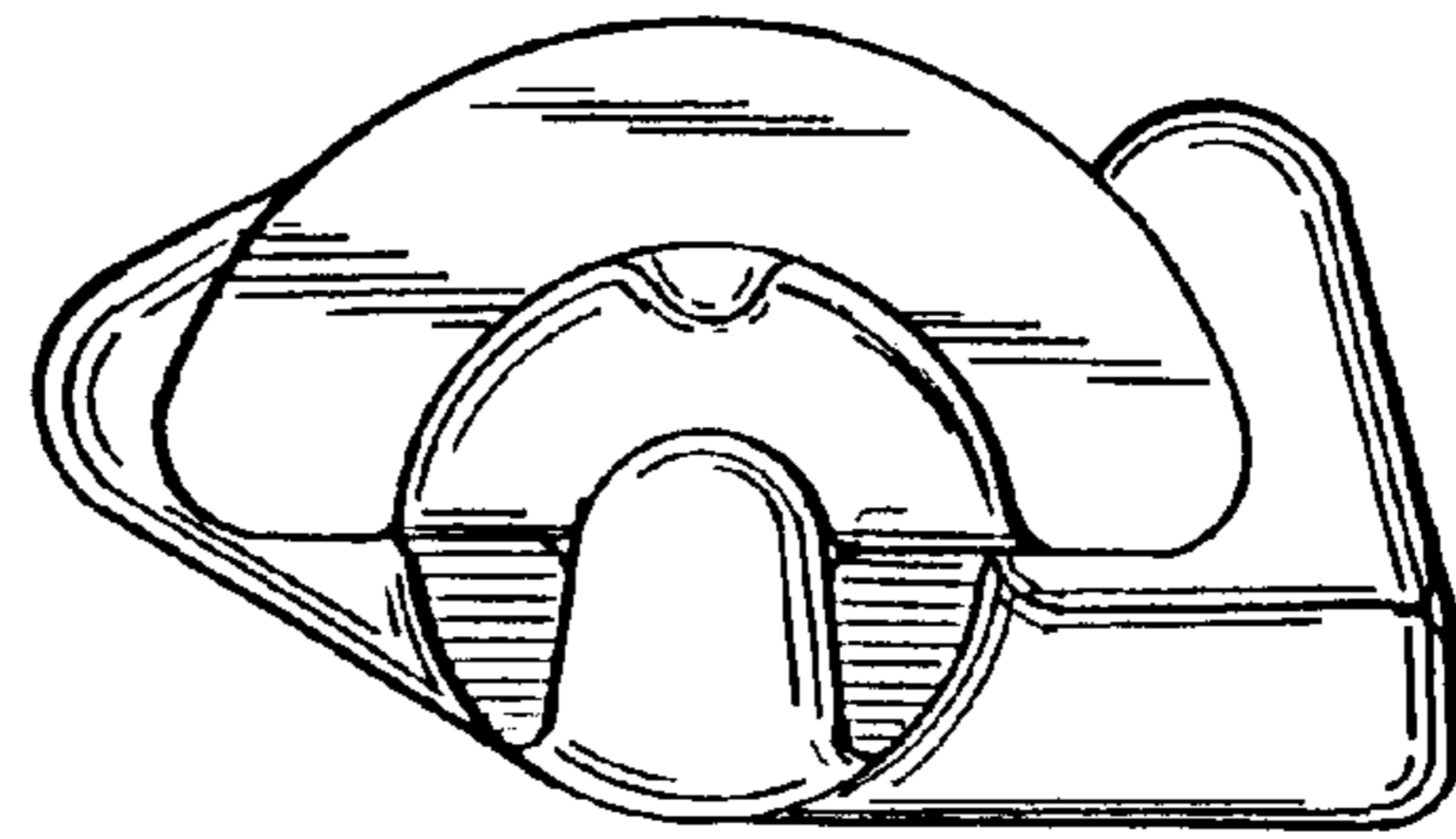


FIG. 6

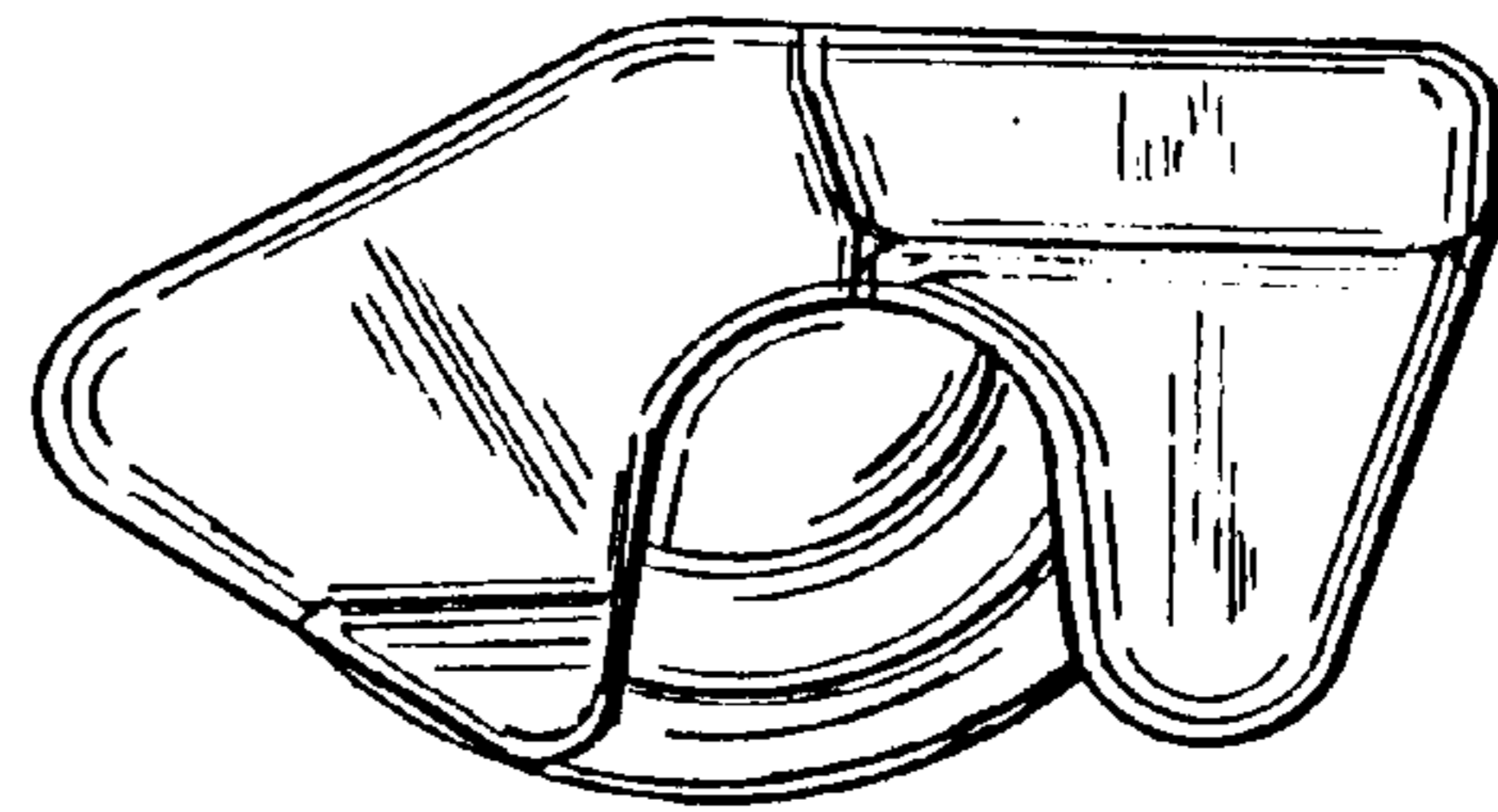


FIG. 7

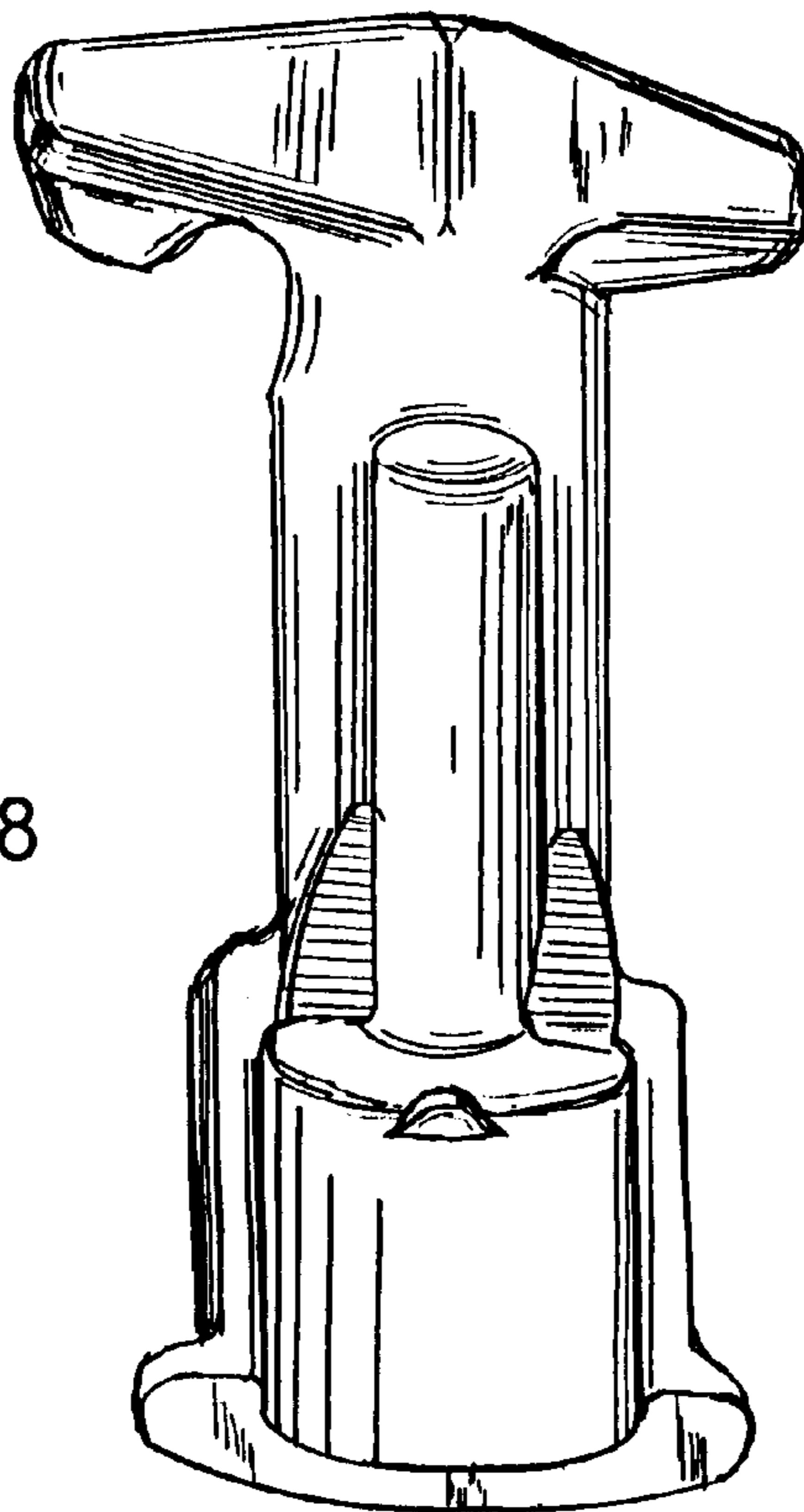


FIG. 8