



US00D518357S

(12) **United States Design Patent** (10) **Patent No.:** **US D518,357 S**  
**Kearns et al.** (45) **Date of Patent:** **\*\* Apr. 4, 2006**

(54) **LOCK**  
(75) Inventors: **Dave Kearns**, Hartford, WI (US);  
**Mark Van Handel**, Milwaukee, WI  
(US); **Paul Peot**, Mequon, WI (US)  
(73) Assignee: **Master Lock Company**, Oak Creek,  
WI (US)  
(\*\*) Term: **14 Years**

D437,768 S 2/2001 Grosz et al.  
D451,002 S \* 11/2001 Lai ..... D8/334  
D458,530 S 6/2002 Grosz et al.  
6,434,981 B1 8/2002 Fantl et al.  
D470,390 S 2/2003 Ling  
D484,777 S 1/2004 Ruan

(21) Appl. No.: **29/217,121**  
(22) Filed: **Nov. 12, 2004**  
(51) **LOC (8) Cl.** ..... **08-07**  
(52) **U.S. Cl.** ..... **D8/334**  
(58) **Field of Classification Search** ..... D8/330,  
D8/331, 333, 334, 336, 339; 70/20, 24-29,  
70/31, 35, 38 R, 42-48, 51, 52, 54, 55, 57  
See application file for complete search history.

**OTHER PUBLICATIONS**

Master Lock, No. 2050 Padlocks Product Description, Mas-  
ter Lock web site, 2003.

\* cited by examiner

*Primary Examiner*—Prabhakar Deshmukh  
(74) *Attorney, Agent, or Firm*—Calfee, Halter & Griswold  
LLP

(57) **CLAIM**

The ornamental design for a lock, as shown and described.

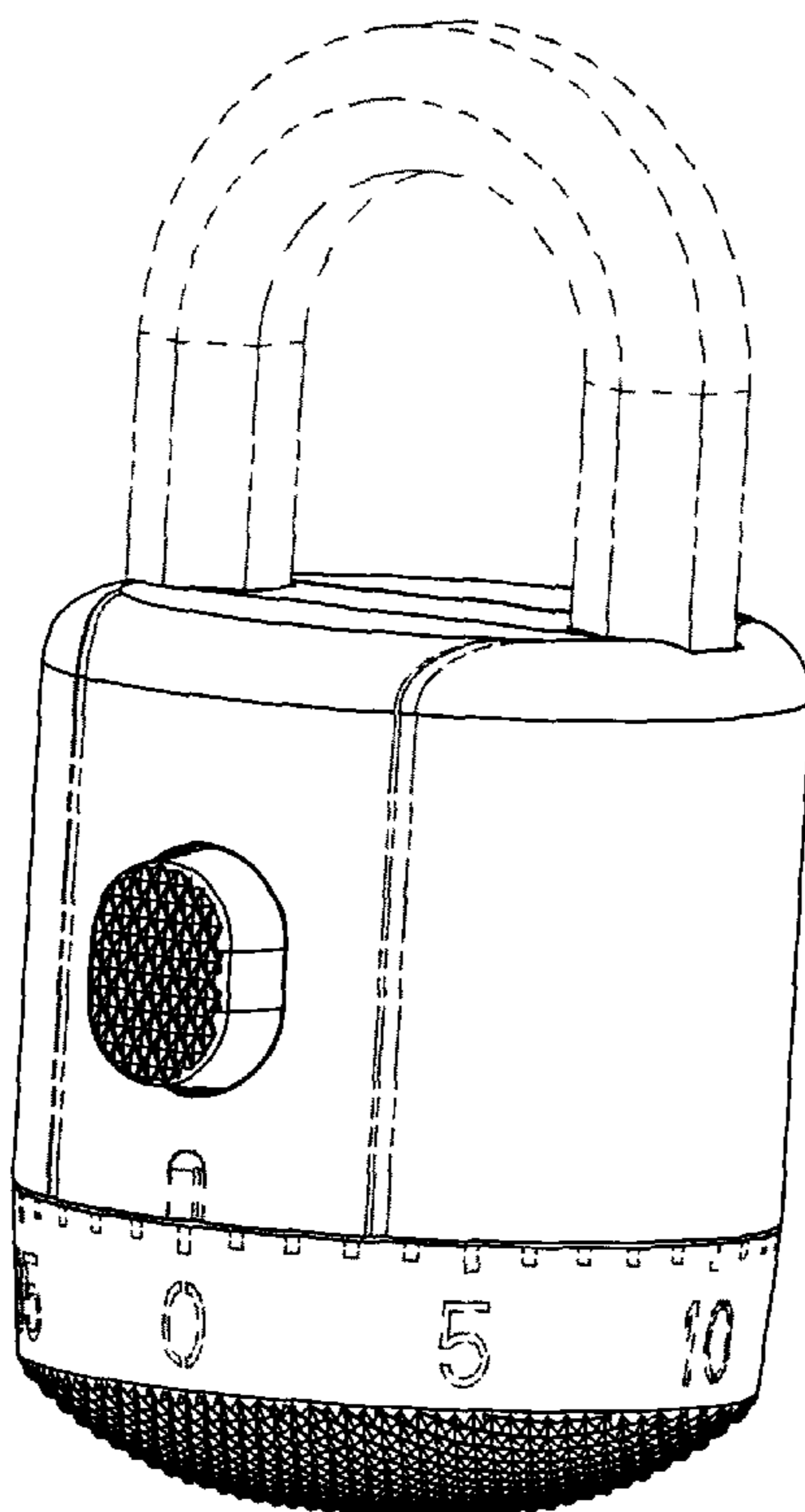
**DESCRIPTION**

FIG. 1 is a side view of the design of the present invention;  
FIG. 2 is a front view of the lock shown in FIG. 1;  
FIG. 3 is a side view of the lock shown in FIG. 1;  
FIG. 4 is a back view of the lock shown in FIG. 1;  
FIG. 5 is a top view of the lock shown in FIG. 1;  
FIG. 6 is a bottom view of the lock shown in FIG. 1; and,  
FIG. 7 is a perspective view of the lock shown in FIG. 1.  
The portions of the Figures shown in phantom lines are not  
part of the claimed design but are for illustration only.

(56) **References Cited**  
U.S. PATENT DOCUMENTS

613,065	A	10/1898	House	
1,016,455	A	2/1912	Stone	
1,642,480	A	* 9/1927	Beard	70/25
2,957,355	A	10/1960	Perry	
3,256,723	A	6/1966	Lehman	
5,046,339	A	* 9/1991	Krell	70/55
D335,813	S	* 5/1993	Appelbaum	D8/334
5,761,935	A	* 6/1998	Adelmeyer	70/55
D437,204	S	* 2/2001	Kajuch et al.	D8/334

**1 Claim, 4 Drawing Sheets**



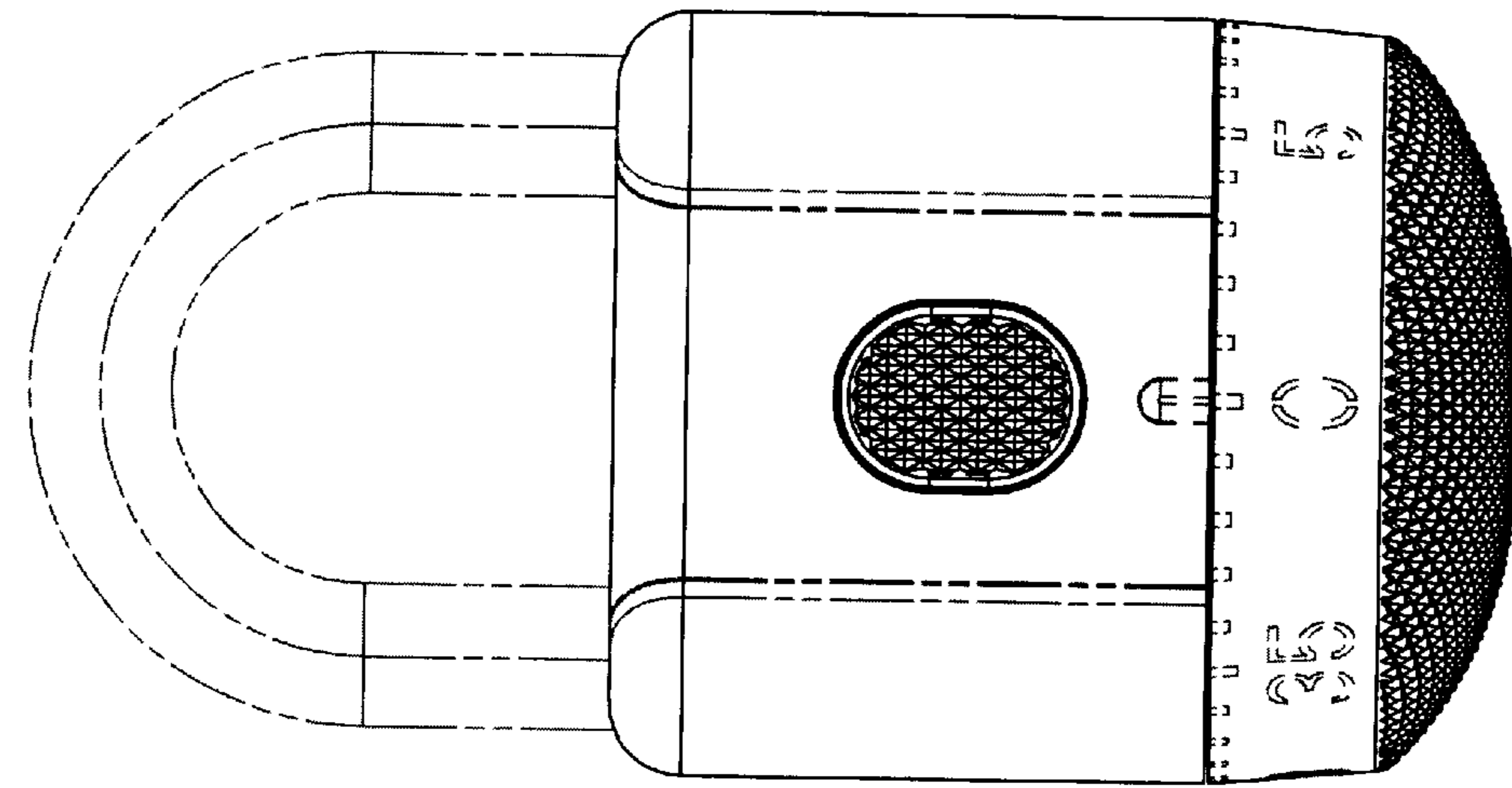


FIG. 1

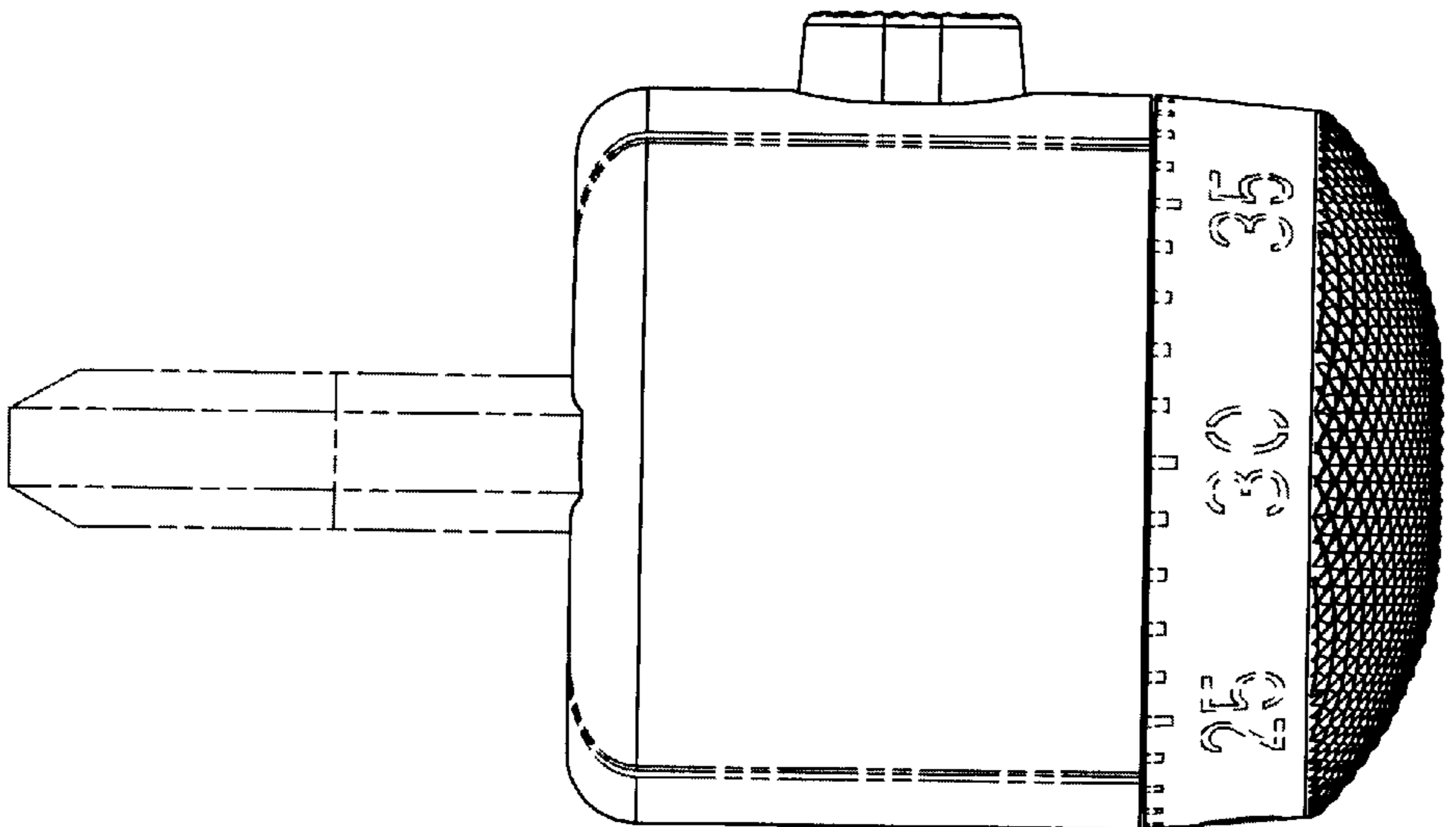


FIG. 2

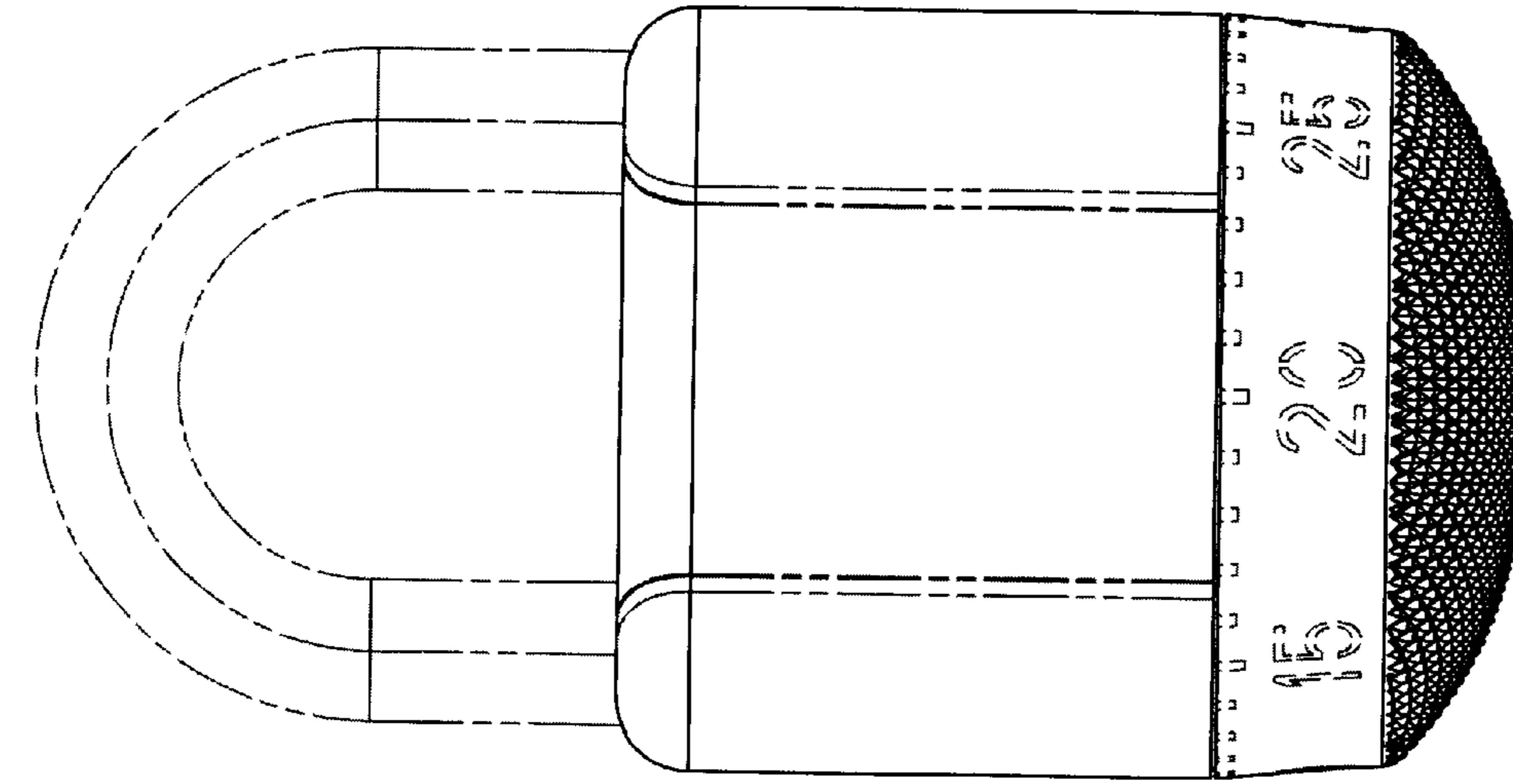


FIG. 3

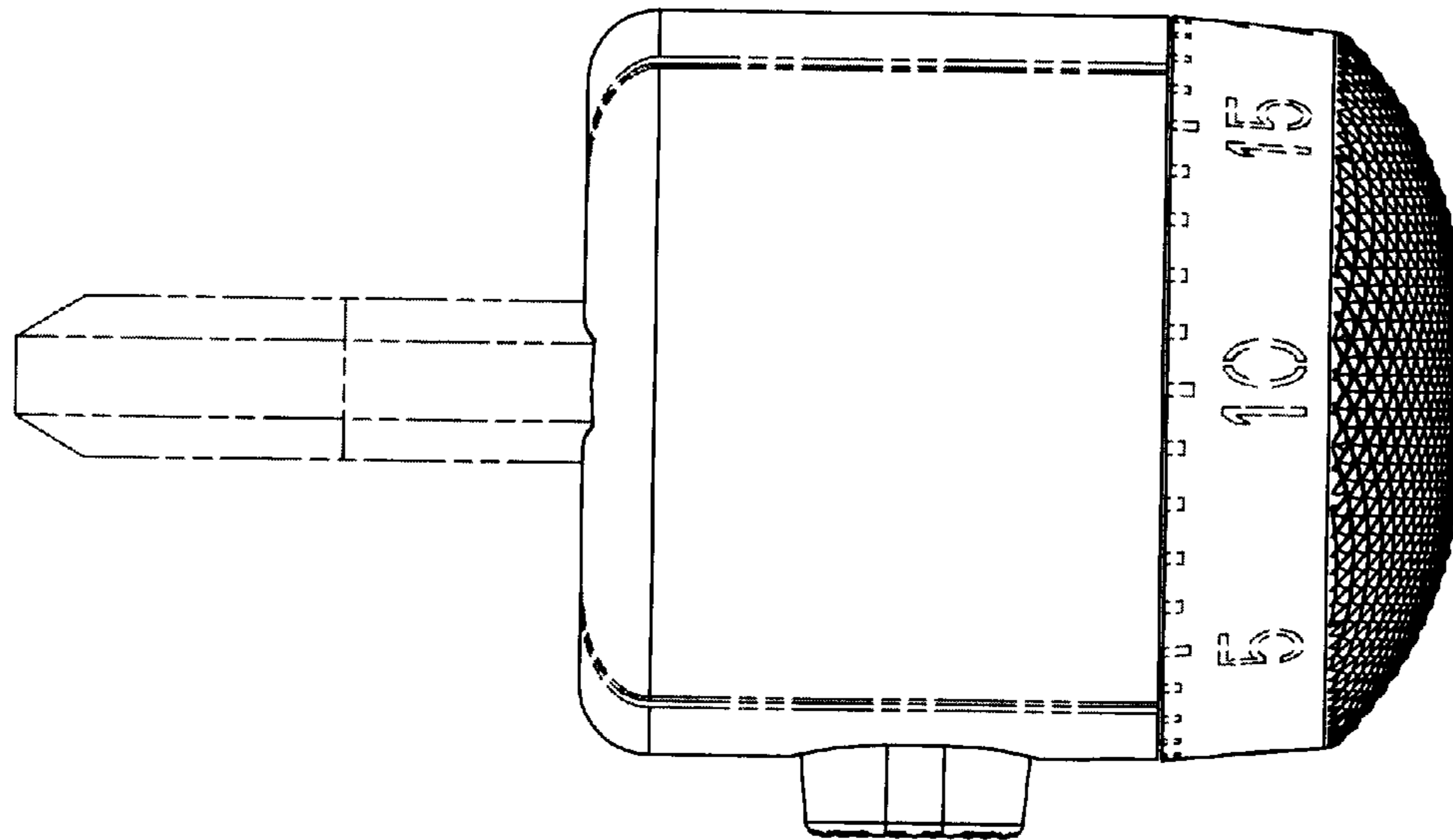


FIG. 4

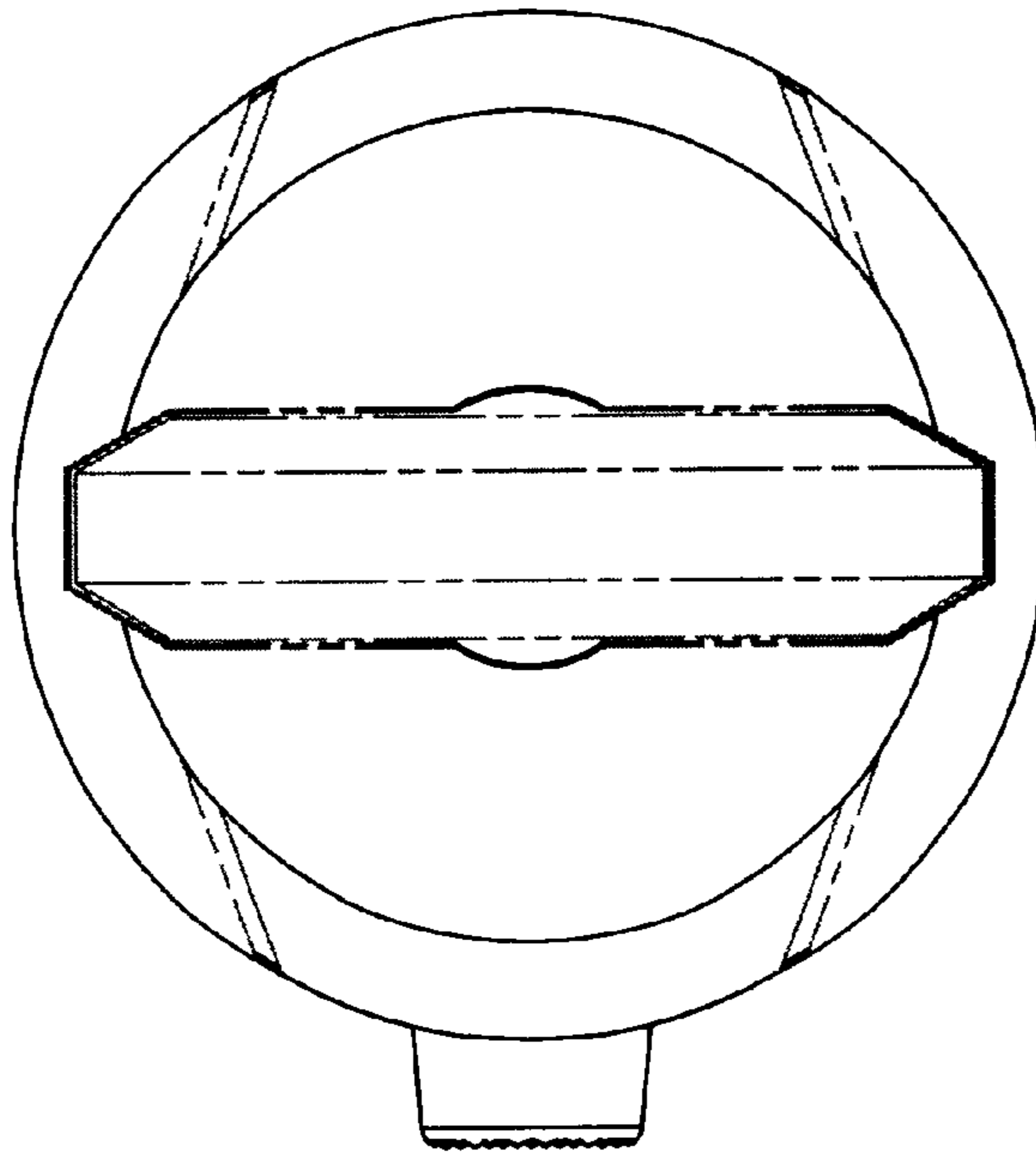


FIG. 5

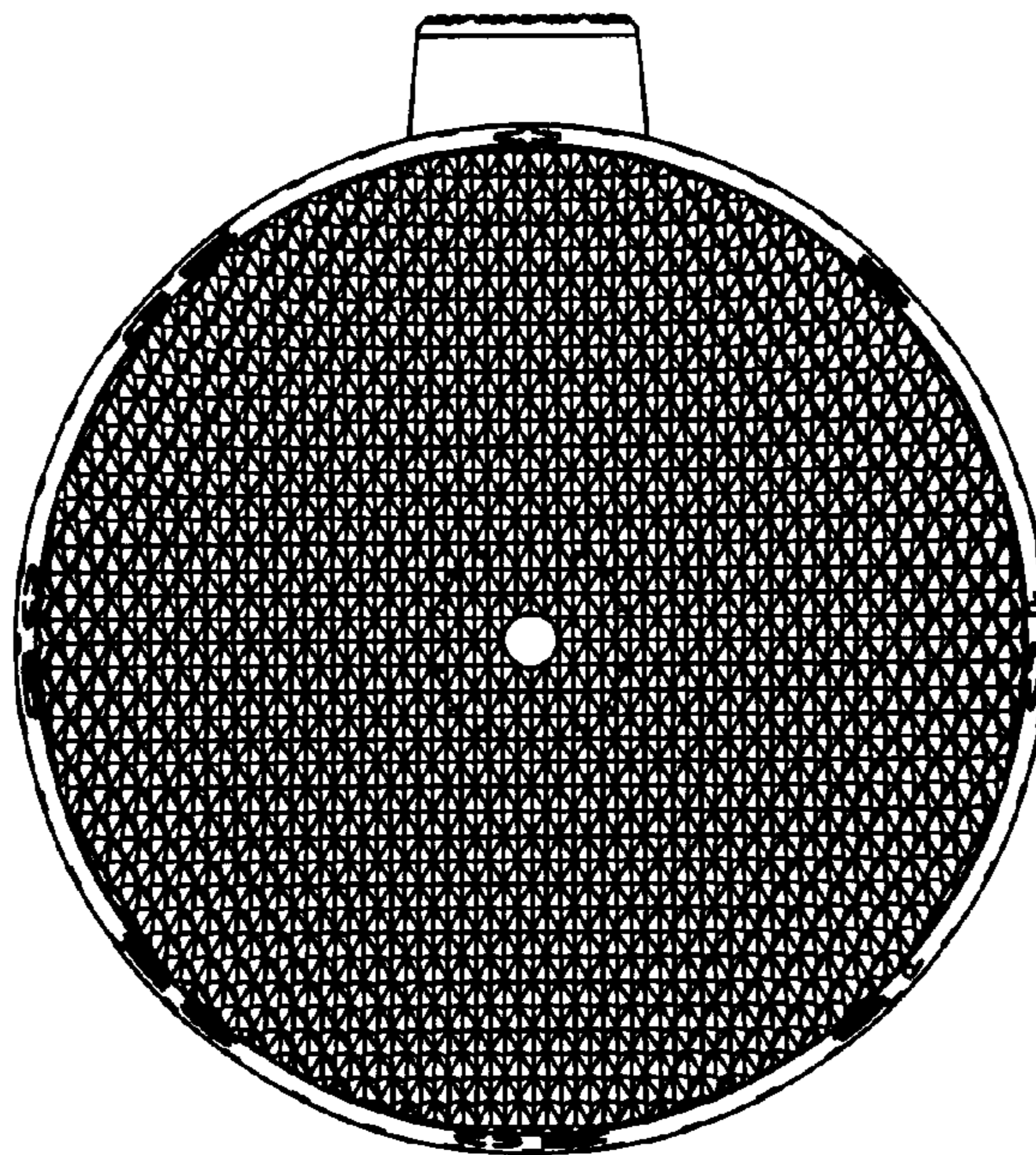


FIG. 6

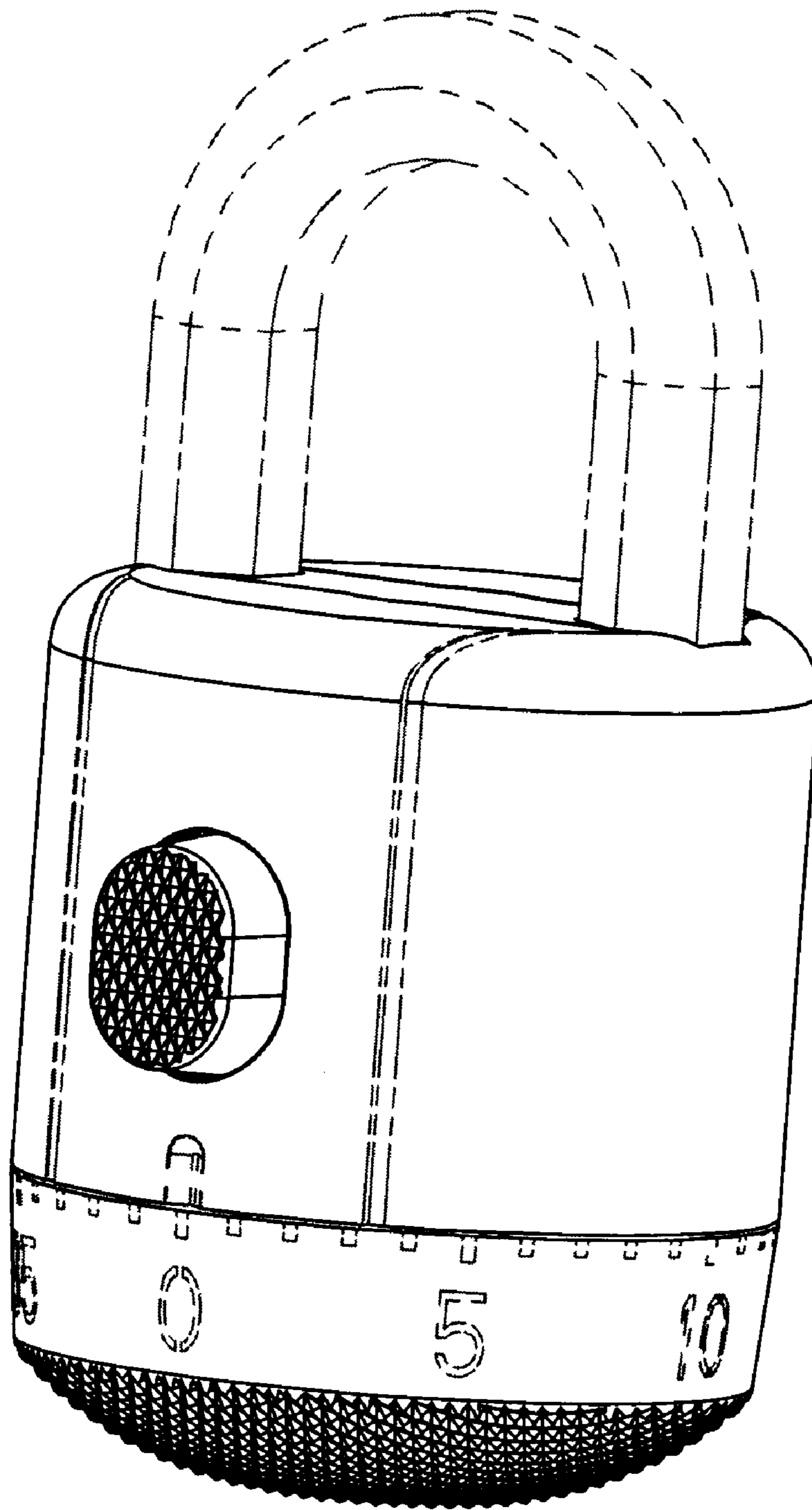


FIG. 7