



US00D518347S

(12) **United States Design Patent** (10) **Patent No.:** **US D518,347 S**
Corcoran (45) **Date of Patent:** **** Apr. 4, 2006**

(54) **DRILL**
(75) Inventor: **Michael Corcoran**, Hexam (GB)
(73) Assignee: **Black & Decker Inc.**, Newark, DE (US)
(**) Term: **14 Years**
(21) Appl. No.: **29/222,137**
(22) Filed: **Jan. 26, 2005**
(30) **Foreign Application Priority Data**
Jul. 29, 2004 (EM) 000207104-0001
(51) **LOC (8) Cl.** **08-01**
(52) **U.S. Cl.** **D8/69**
(58) **Field of Classification Search** D8/14.1,
D8/61, 62, 63, 64, 65, 66, 67, 68, 69, 70;
81/57.11, 429, 464, 465, 466, 469, 489; 173/13,
173/169, 178, 213, 217; 227/8, 114, 120,
227/130, 136, 142; 310/50; 408/20, 124,
408/125, 234, 241 R; 451/358
See application file for complete search history.

DE	000032693-0002	11/2003
DE	000032693-0004	11/2003
DE	000123260-0006	3/2004
DE	403 07 256	4/2004
DE	000164397-0001	7/2004
DE	000164397-0002	7/2004
DE	000162102-0001	8/2004
EM	000041165-0009	3/2004
EM	000041165-0021	3/2004
FR	0313765	5/1992
FR	0348882-888	12/1993
FR	559 361 - 363	10/1999
FR	582 155 - 168	5/2000
FR	649 434 - 441	1/2002
FR	685 223 - 230	1/2003
GB	2096746 S *	4/2000
GB	2104664 S *	7/2001
GB	2105551 S *	10/2001
GB	3018186 S *	7/2004
WO	DM 029 142	3/1994
WO	DM 035 340	1/1996
WO	DM 044 953	8/1998
WO	DM 053547	10/2000
WO	DM 055384	3/2001
WO	DM 057 066	8/2001
WO	DM 057066	8/2001

* cited by examiner

Primary Examiner—Gary D. Watson
Assistant Examiner—T. Chase Nelson
(74) *Attorney, Agent, or Firm*—Bruce S. Shapiro; Wesley W. Muller; John Yun

(56) **References Cited**

U.S. PATENT DOCUMENTS

D320,918 S *	10/1991	Mochida	D8/68
D349,029 S *	7/1994	Matsunaga et al.	D8/69
D361,252 S *	8/1995	De Neergaard et al.	D8/69
5,881,823 A *	3/1999	Kabatnik et al.	173/217
5,996,707 A *	12/1999	Thome et al.	173/217
D442,452 S *	5/2001	Stirm et al.	D8/69
D447,032 S *	8/2001	Schoen et al.	D8/67
D466,780 S *	12/2002	Stirm	D8/69
D474,092 S *	5/2003	Stirm	D8/69
6,681,869 B1 *	1/2004	Wursch et al.	173/178
D491,438 S *	6/2004	Cheung et al.	D8/68
2004/0112615 A1 *	6/2004	Mayr et al.	173/217
2004/0231871 A1 *	11/2004	Arich et al.	173/217

FOREIGN PATENT DOCUMENTS

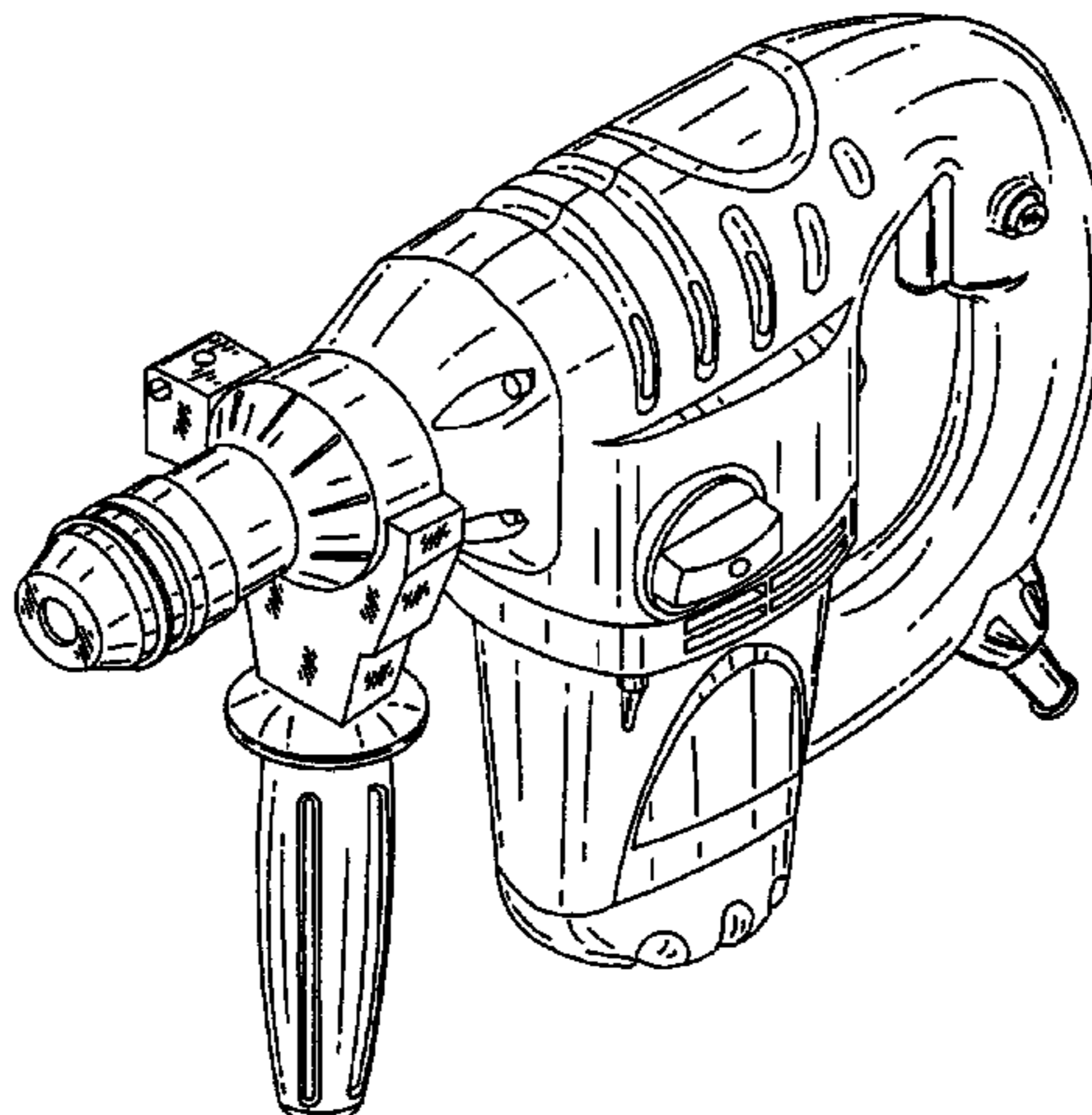
DE	40003875.7	8/2000
DE	40101260.3	6/2001

(57) **CLAIM**

The ornamental design for a drill, as shown and described.

DESCRIPTION

FIG. 1 is a left/front perspective view of a drill showing my new design.
FIG. 2 is a front view thereof.
FIG. 3 is a rear view thereof.
FIG. 4 is a left side view thereof.
FIG. 5 is a right side view thereof.
FIG. 6 is a top plan view thereof; and,
FIG. 7 is a bottom plan view thereof.

1 Claim, 5 Drawing Sheets

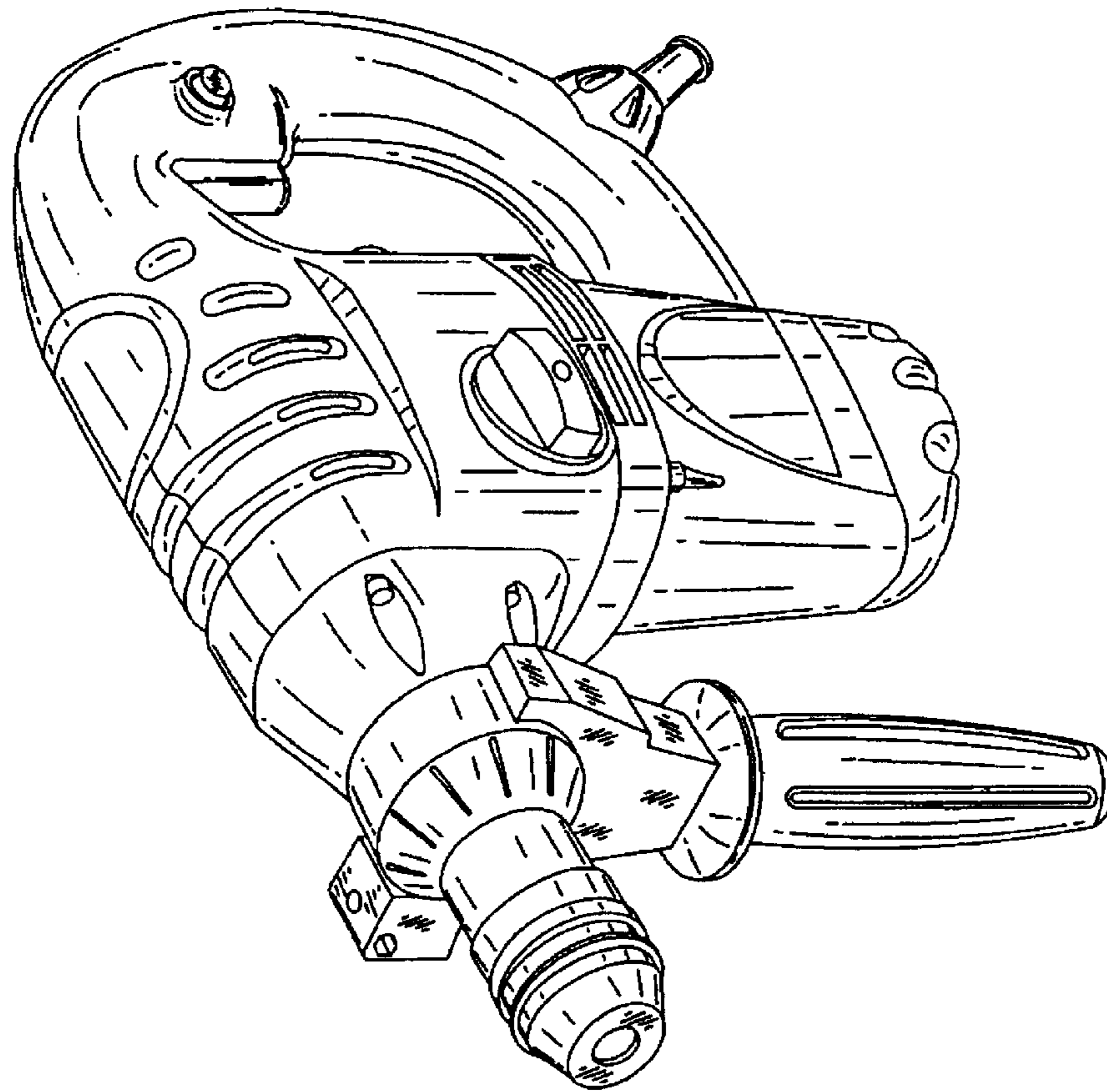


FIG.1

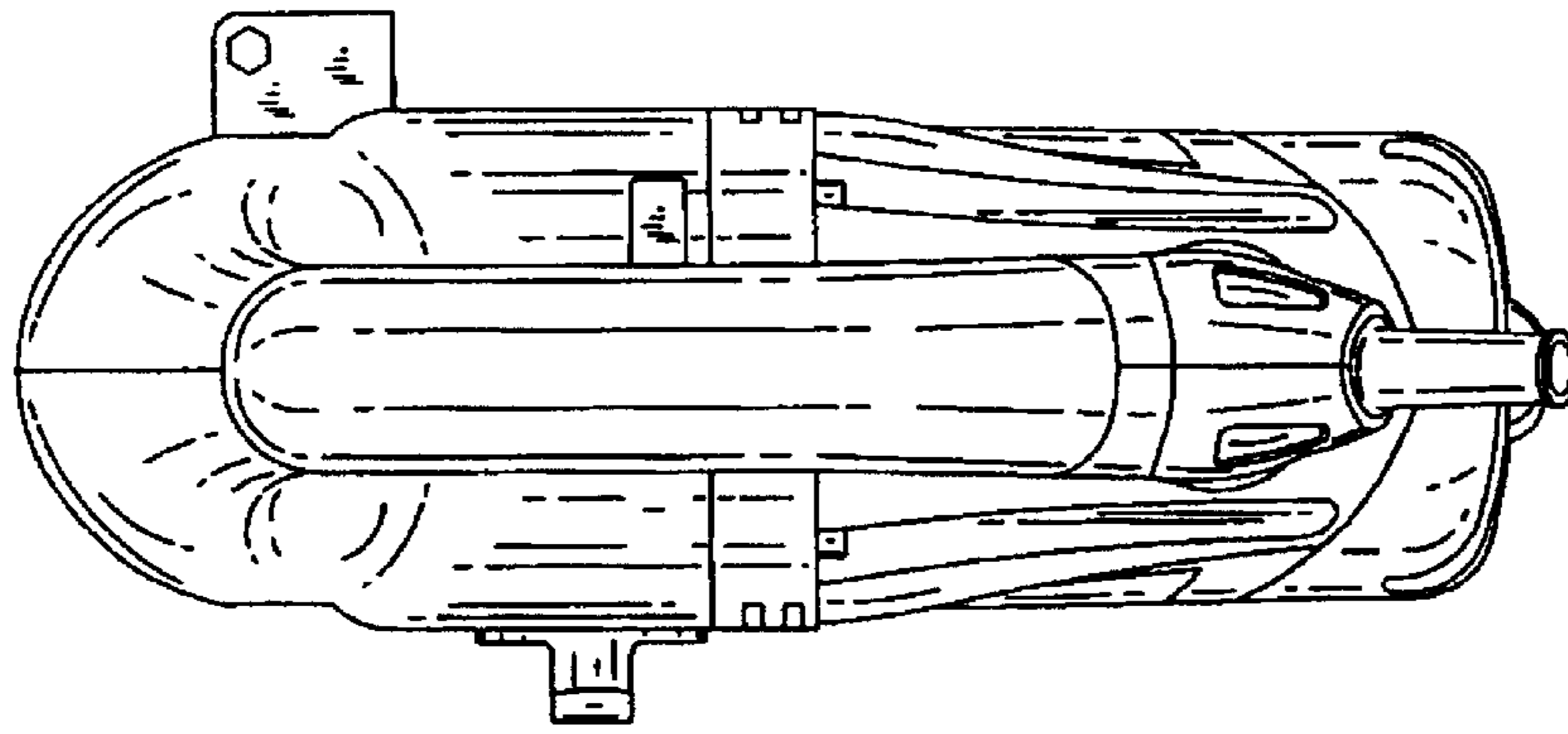


FIG.3

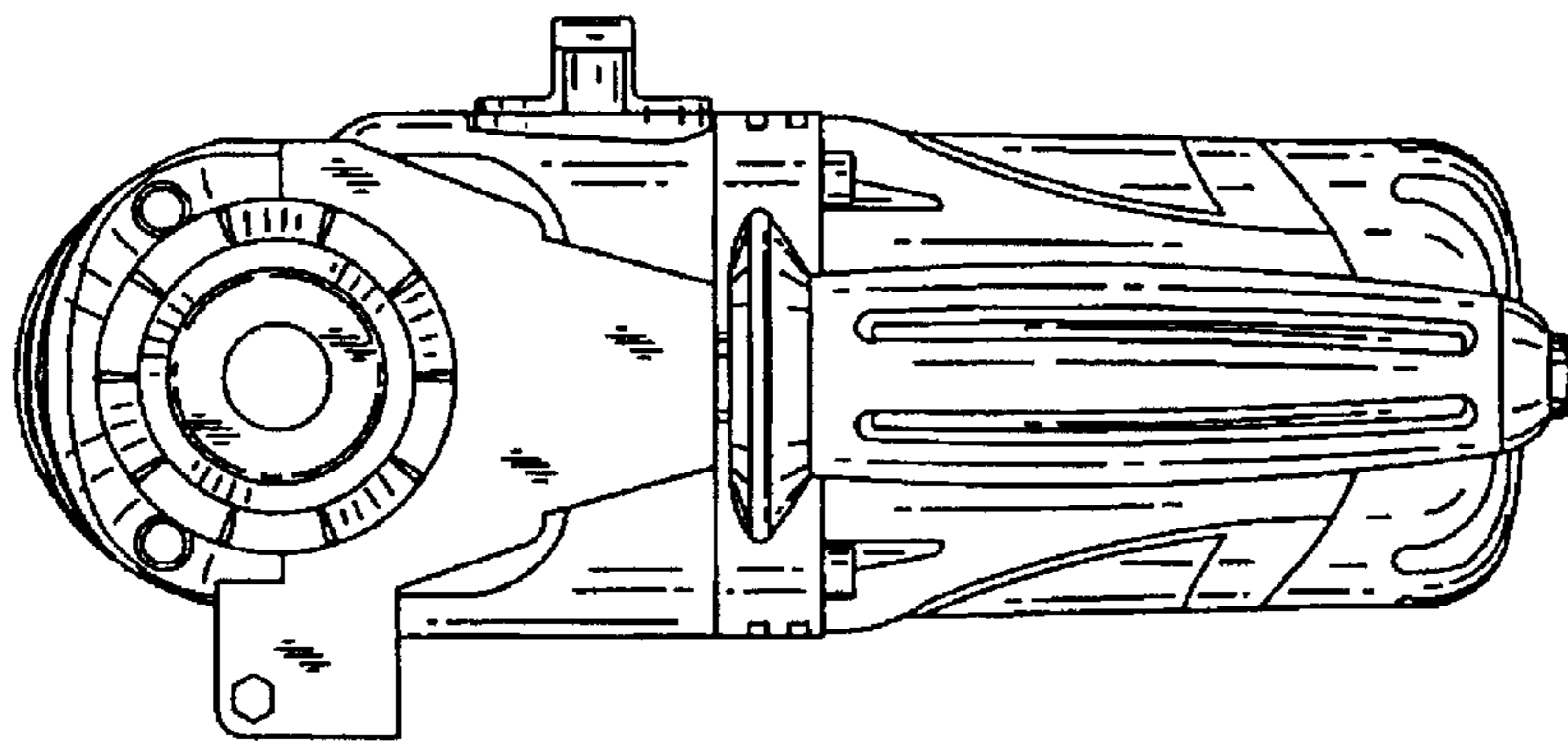


FIG.2

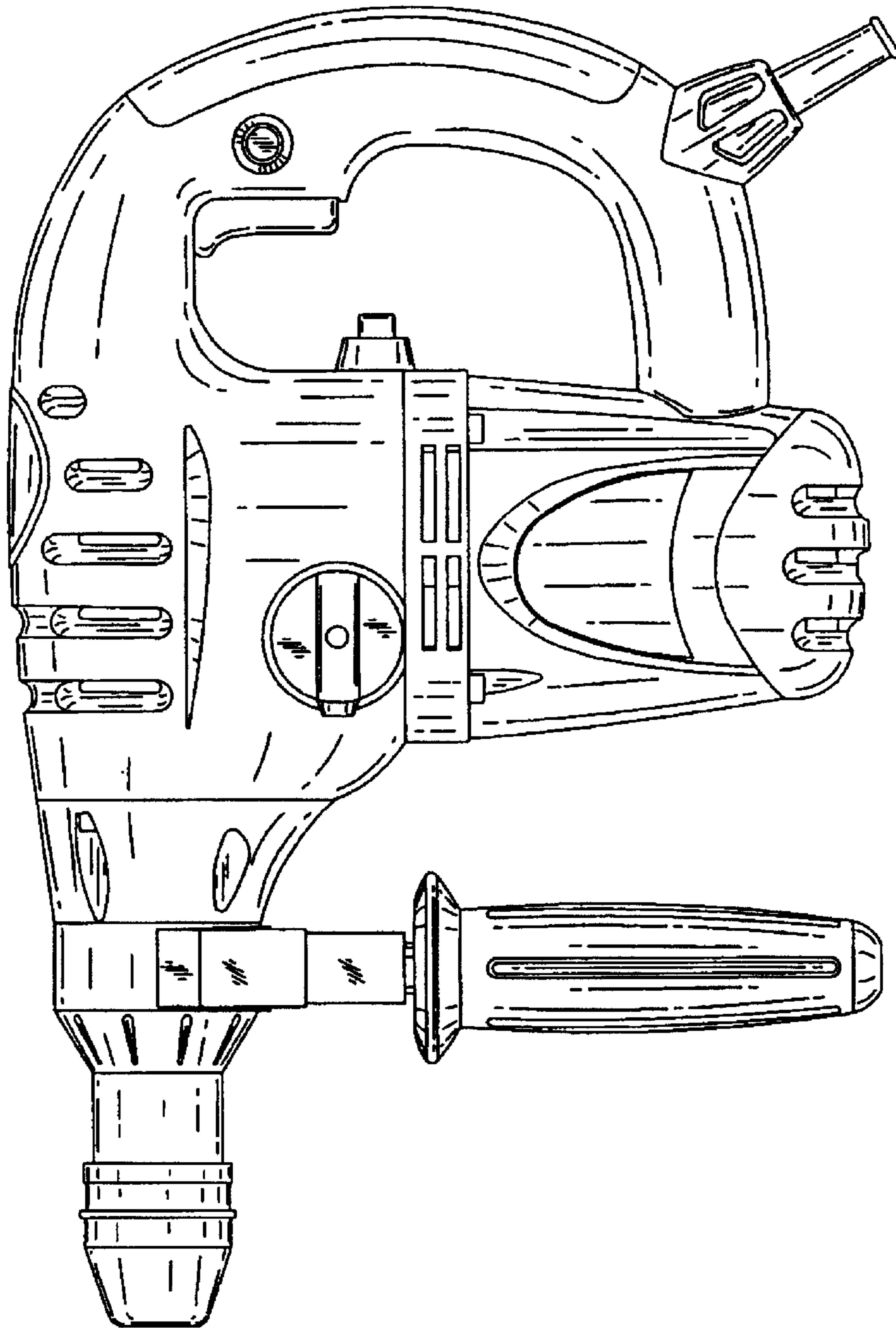


FIG.4

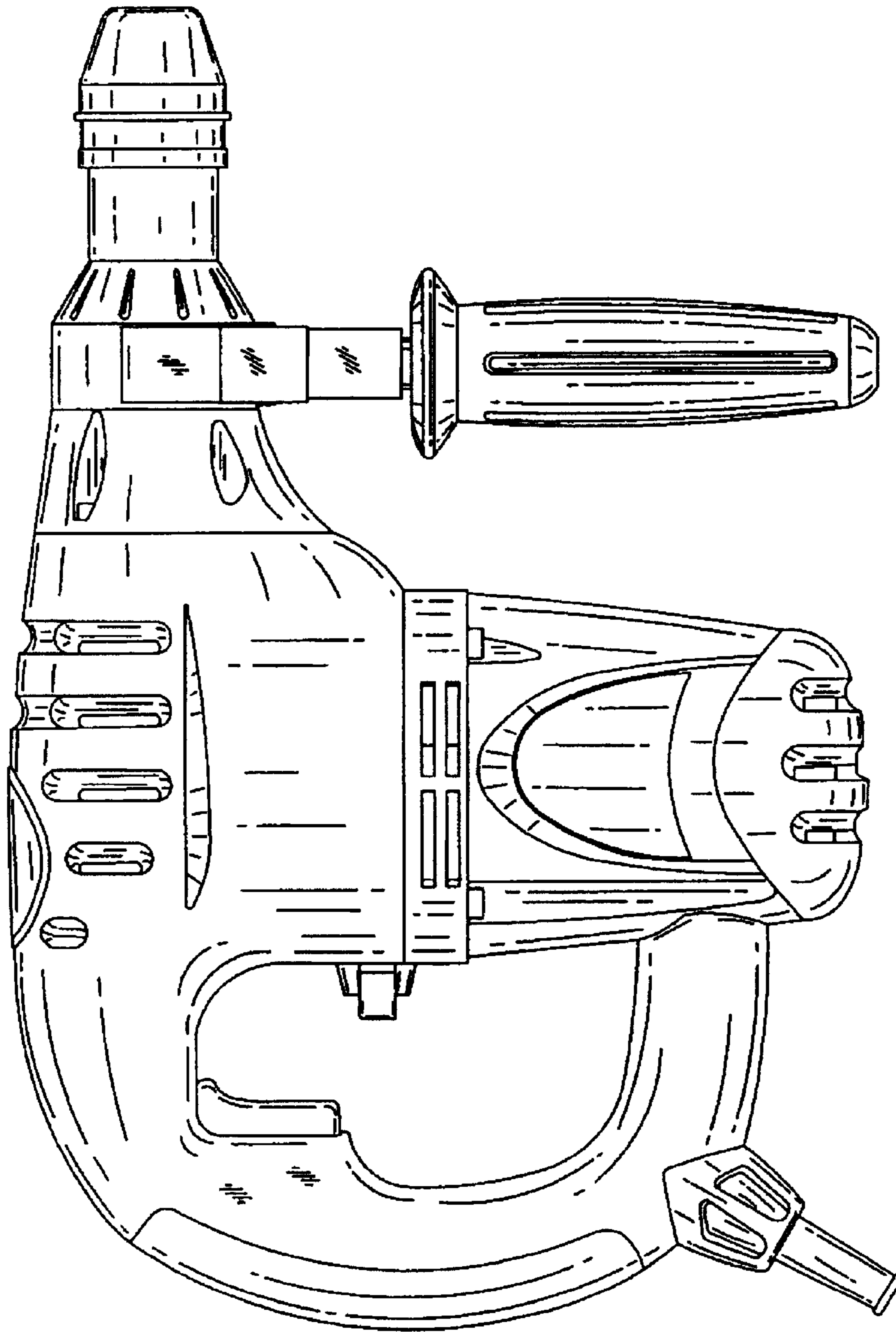


FIG.5

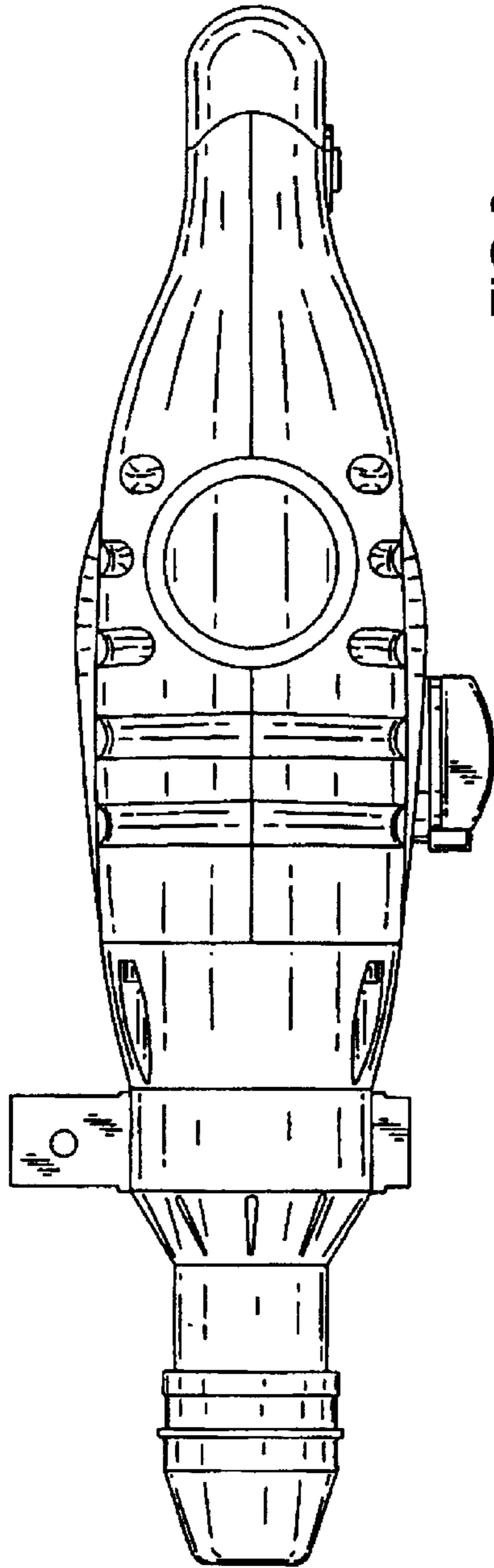


FIG. 6

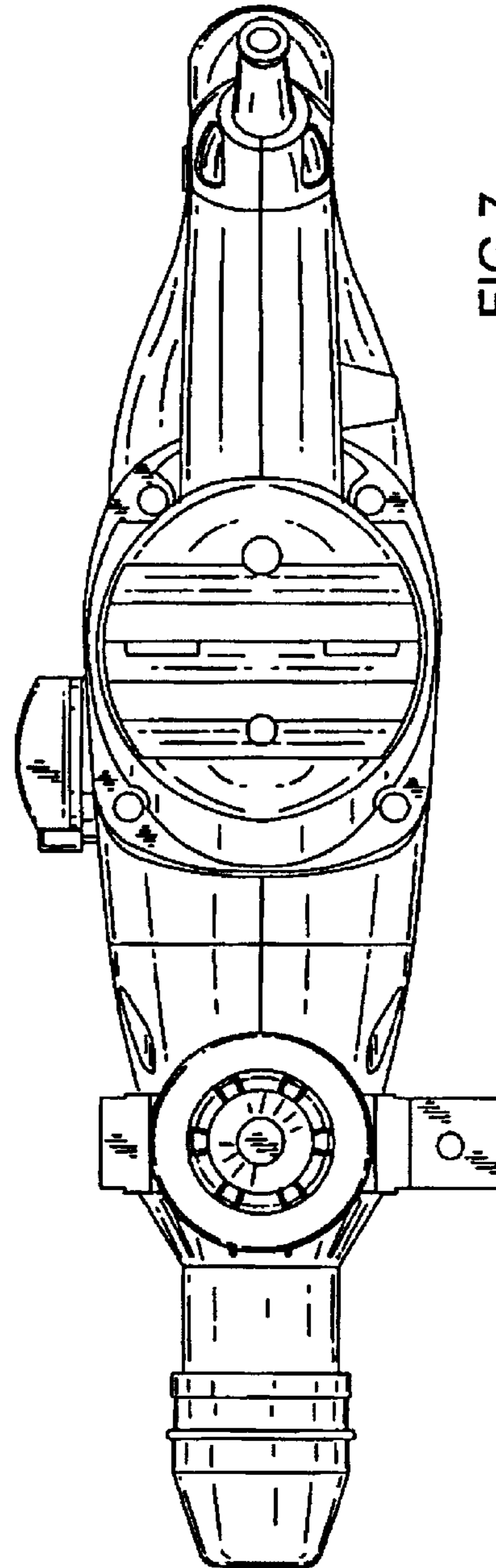


FIG. 7