



US00D518346S

(12) **United States Design Patent**
Chen

(10) **Patent No.:** **US D518,346 S**

(45) **Date of Patent:** **** Apr. 4, 2006**

(54) **CASING FOR TOOL**

(76) Inventor: **Ting-Yuan Chen**, No. 230, Jian Shin Road, Taya Hsiang, Taichung Hsien (TW)

(**) Term: **14 Years**

(21) Appl. No.: **29/203,227**

(22) Filed: **Apr. 12, 2004**

(51) **LOC (8) Cl.** **08-05**

(52) **U.S. Cl.** **D8/68; D8/70**

(58) **Field of Classification Search** D8/14.1, D8/61, 62, 63, 64, 65, 66, 67, 68, 69, 70; 81/57.11, 429, 464, 465, 466, 469, 489; 173/13, 173/169, 178, 213, 217; 227/8, 114, 120, 227/130, 136, 142; 310/50; 408/20, 124, 408/125, 234, 241 R; 451/358
See application file for complete search history.

(56) **References Cited**

U.S. PATENT DOCUMENTS

3,759,336	A	*	9/1973	Marcovitz et al.	173/213
5,918,686	A	*	7/1999	Izumisawa	173/169
D476,210	S	*	6/2003	Chen	D8/68
D477,761	S	*	7/2003	Liu et al.	D8/68
D477,977	S	*	8/2003	Liu	D8/68
D489,240	S	*	5/2004	Bartfeld et al.	D8/68
D497,787	S	*	11/2004	Liao	D8/68

D498,128 S * 11/2004 Sterling D8/68
2002/0125021 A1 * 9/2002 Tseng 173/169

FOREIGN PATENT DOCUMENTS

GB 2094515 S * 12/1999

* cited by examiner

Primary Examiner—Gary D. Watson
Assistant Examiner—T. Chase Nelson

(74) *Attorney, Agent, or Firm*—Alan D. Kamrath; Nikolai & Mersereau, P.A.

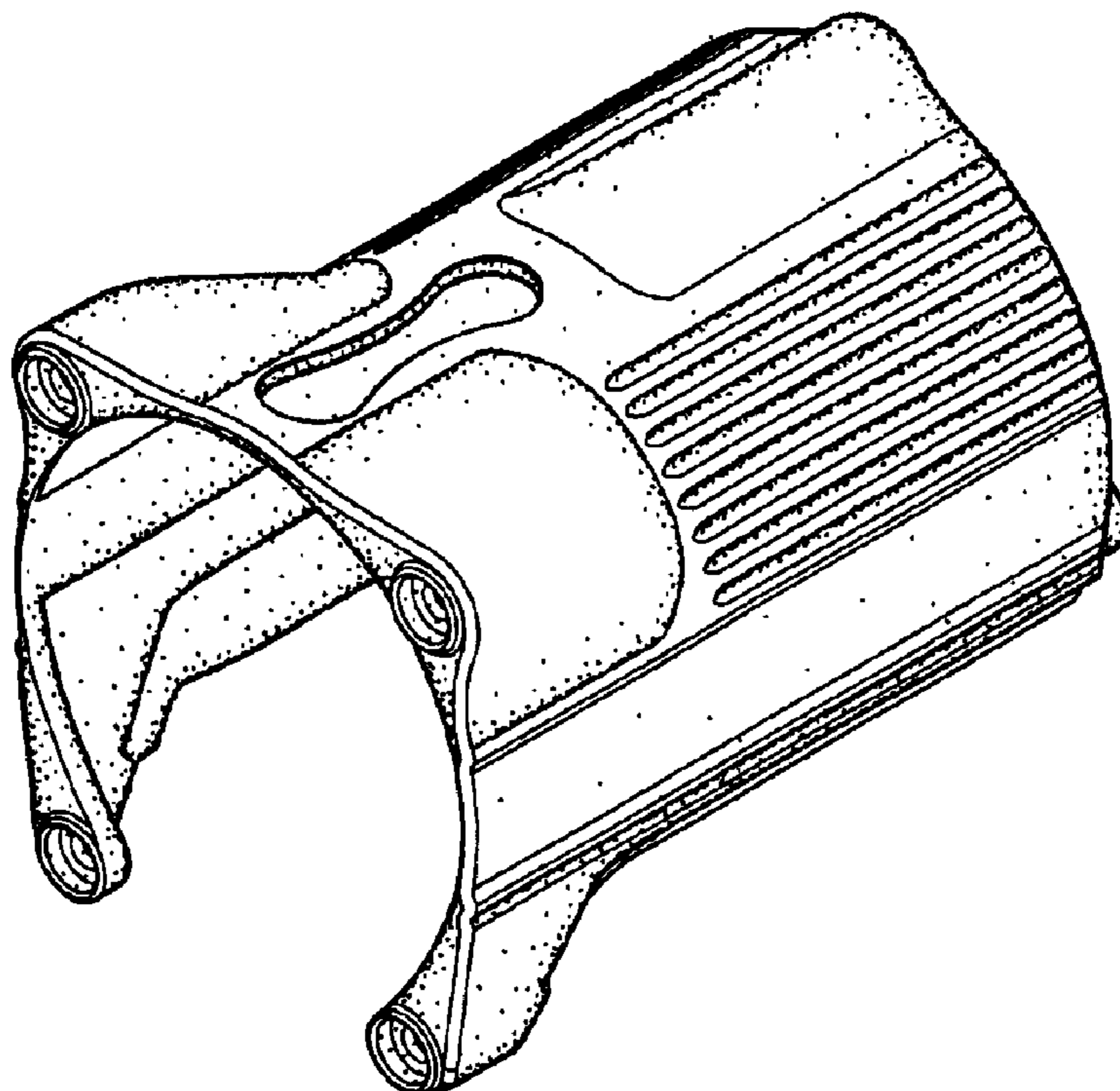
(57) **CLAIM**

The ornamental design for casing for tool, as shown and described.

DESCRIPTION

FIG. 1 is a perspective view of a casing for tool showing my new design;
FIG. 2 is a front view thereof, the opposite side being a mirror image thereof;
FIG. 3 is a left view thereof;
FIG. 4 is a right view thereof;
FIG. 5 is a top view thereof;
FIG. 6 is a bottom view thereof; and,
FIG. 7 is a perspective view thereof, the broken line showing of environmental structure in this view being for illustrative purposes only and forming no part of the claimed design.

1 Claim, 3 Drawing Sheets



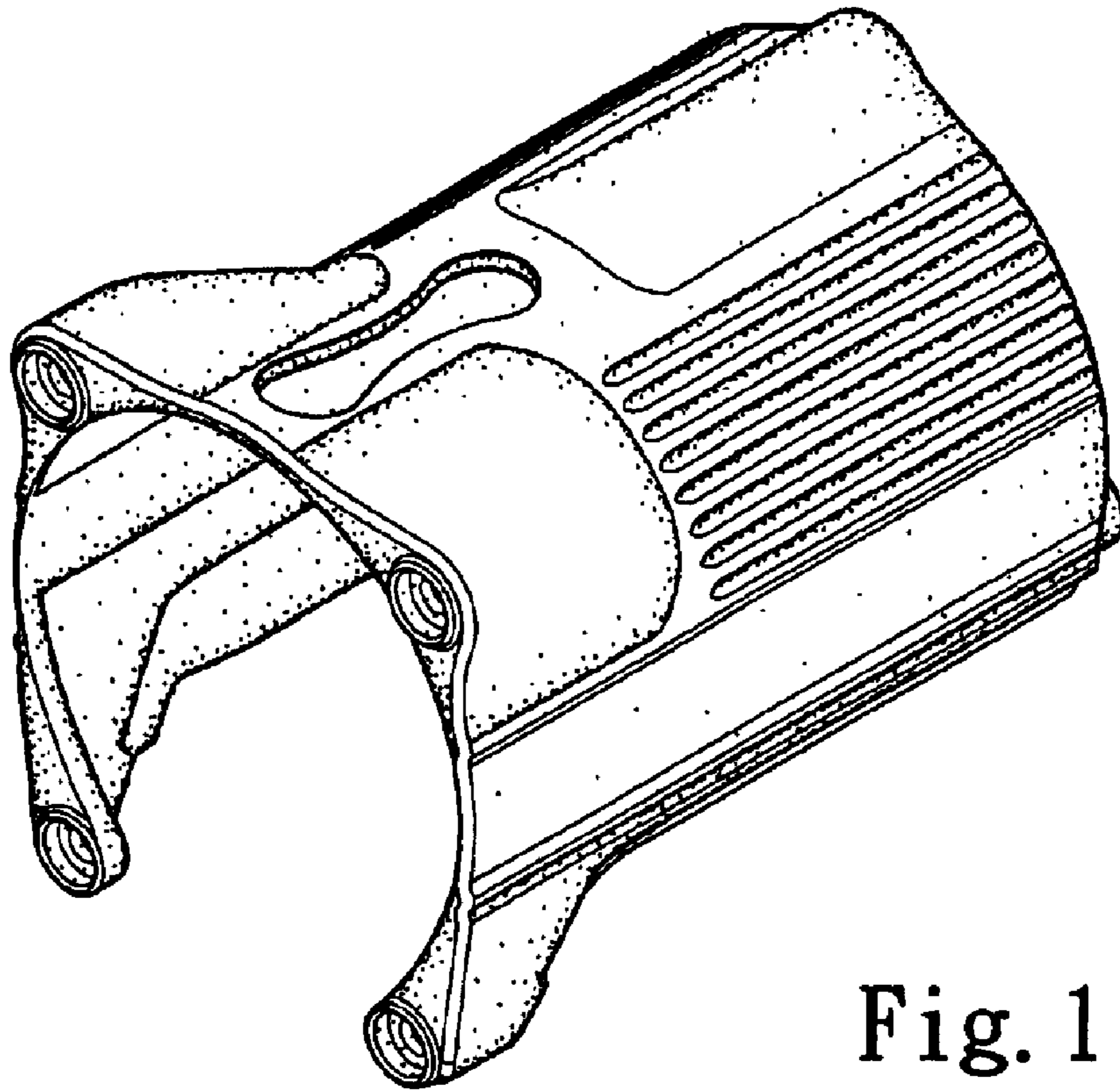


Fig. 1

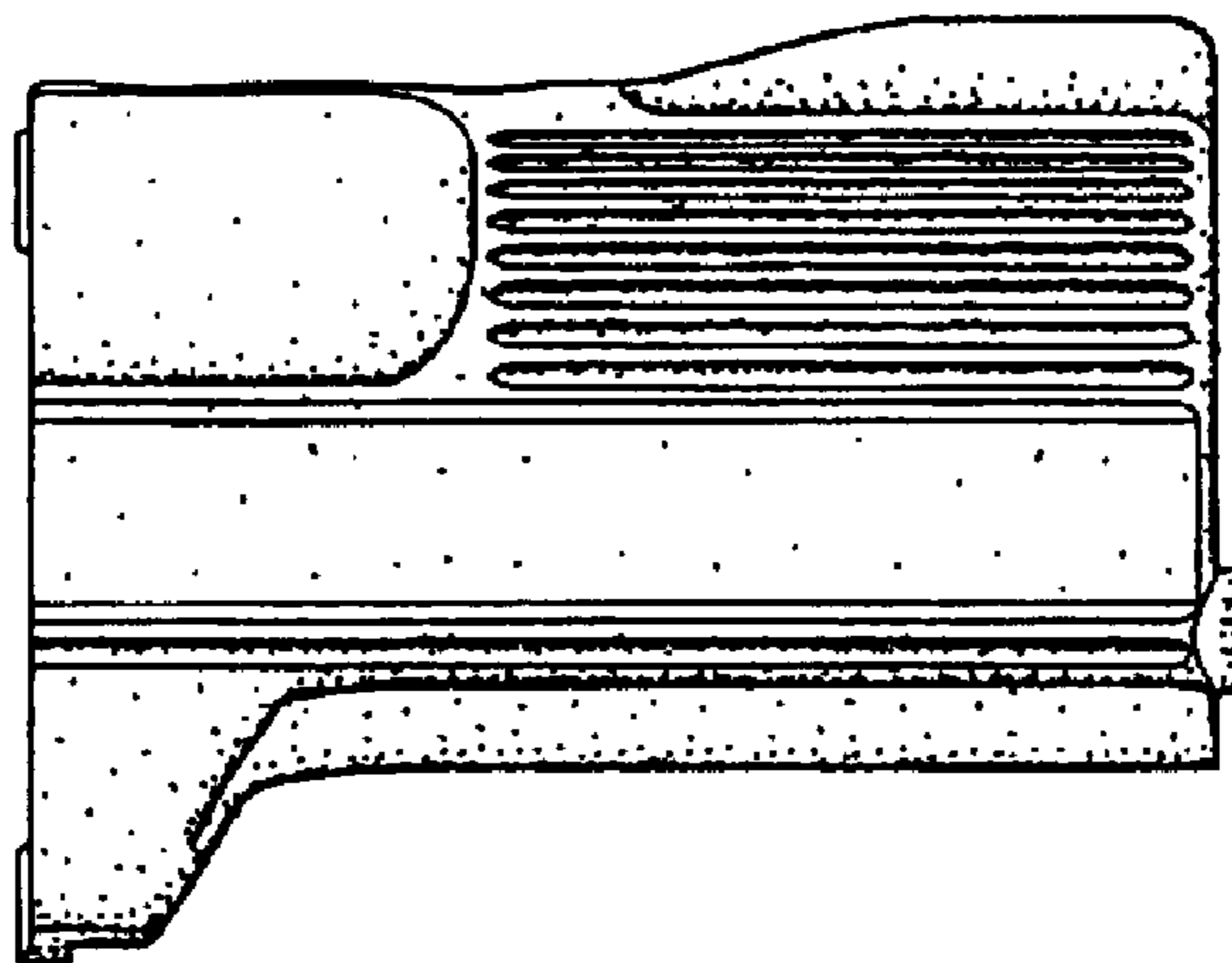


Fig. 2

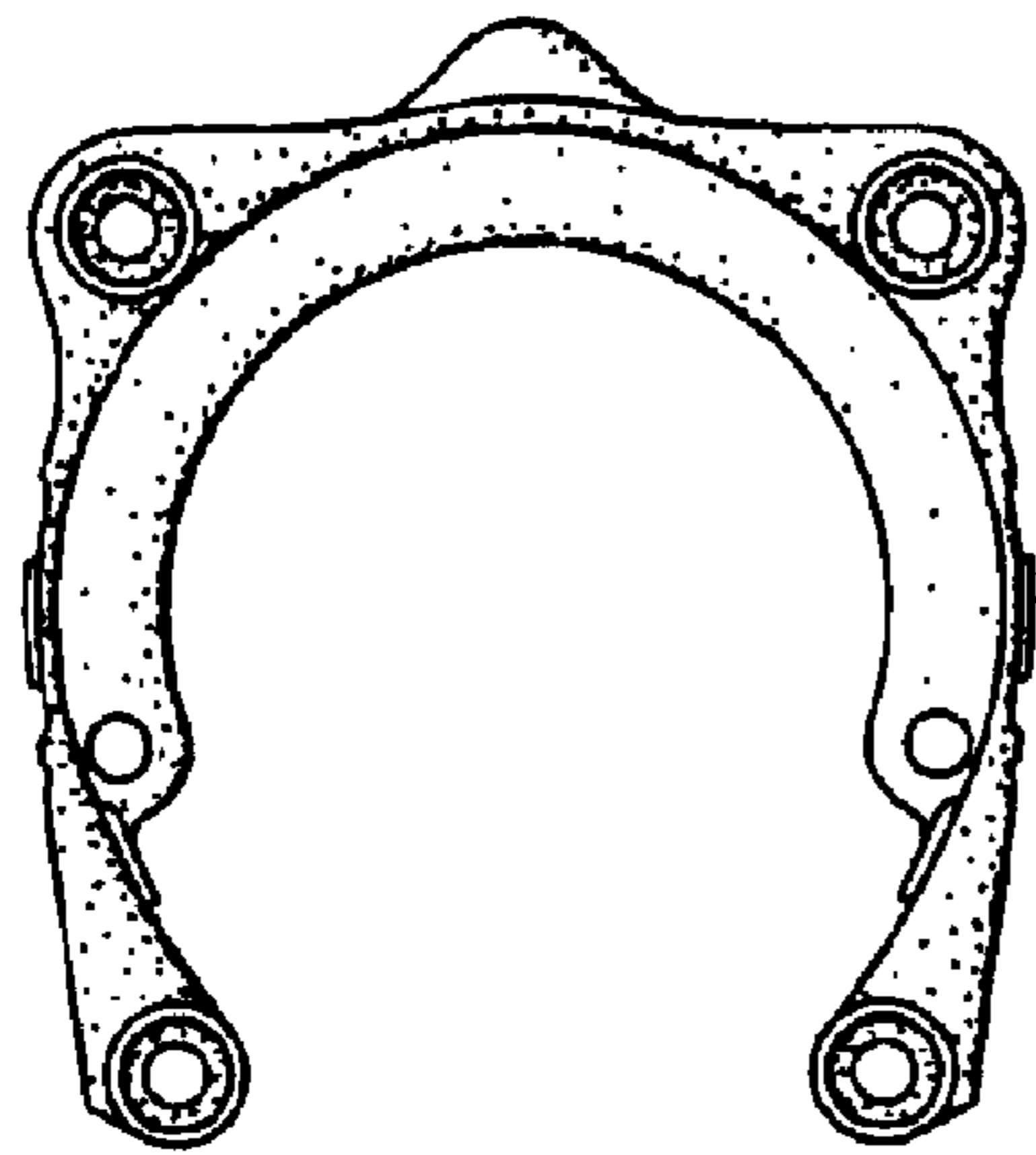


Fig. 3

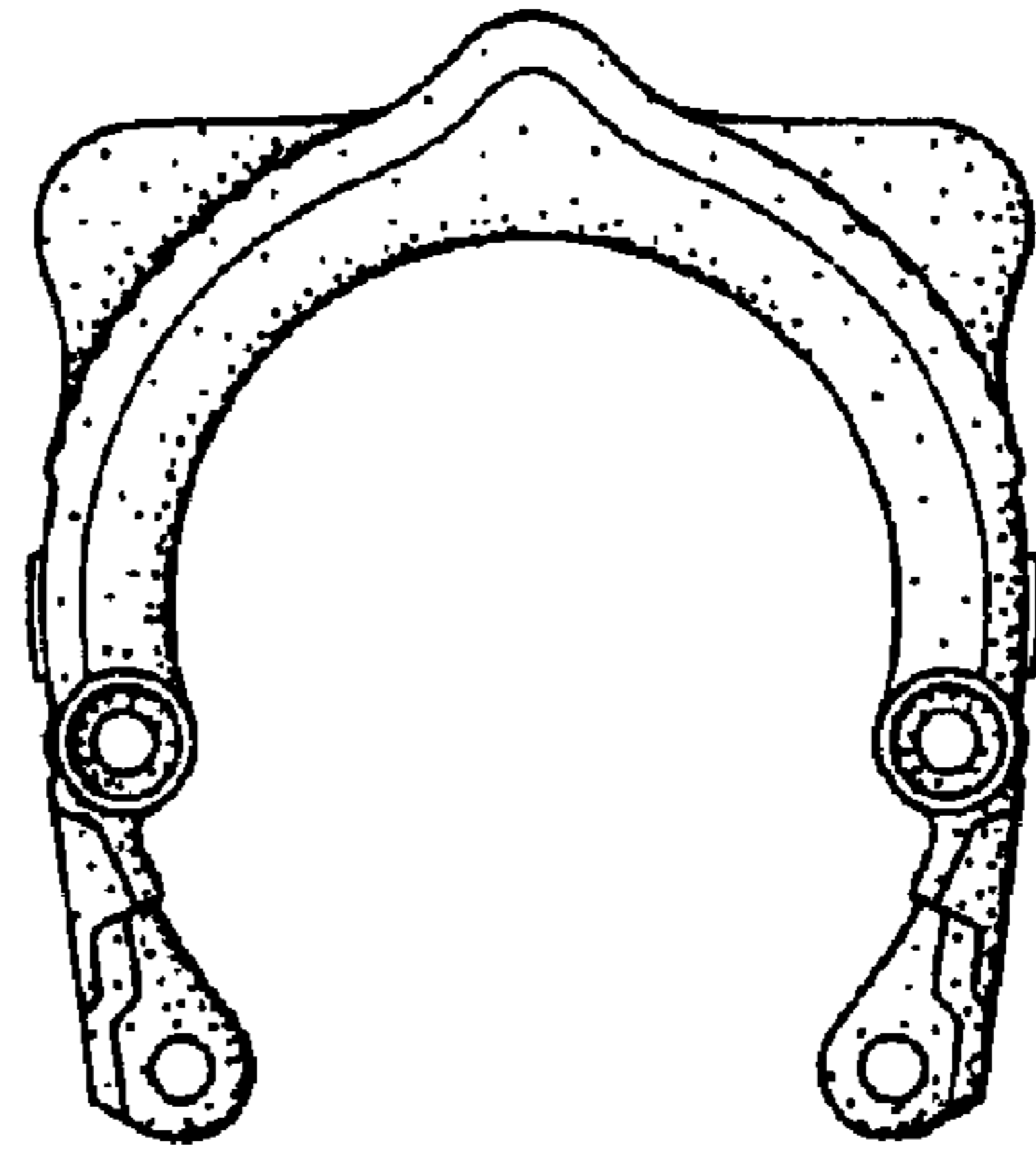


Fig. 4

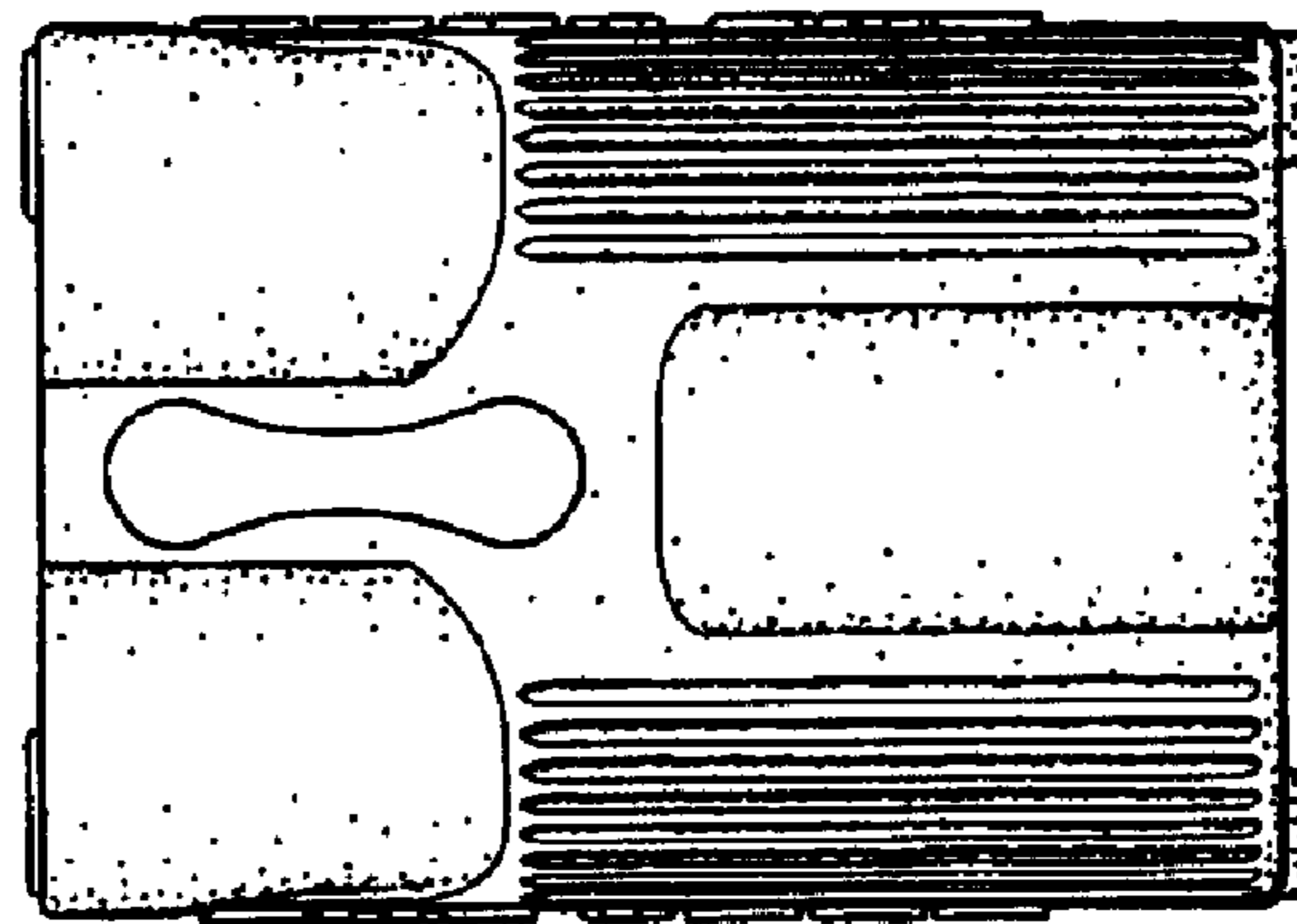


Fig. 5

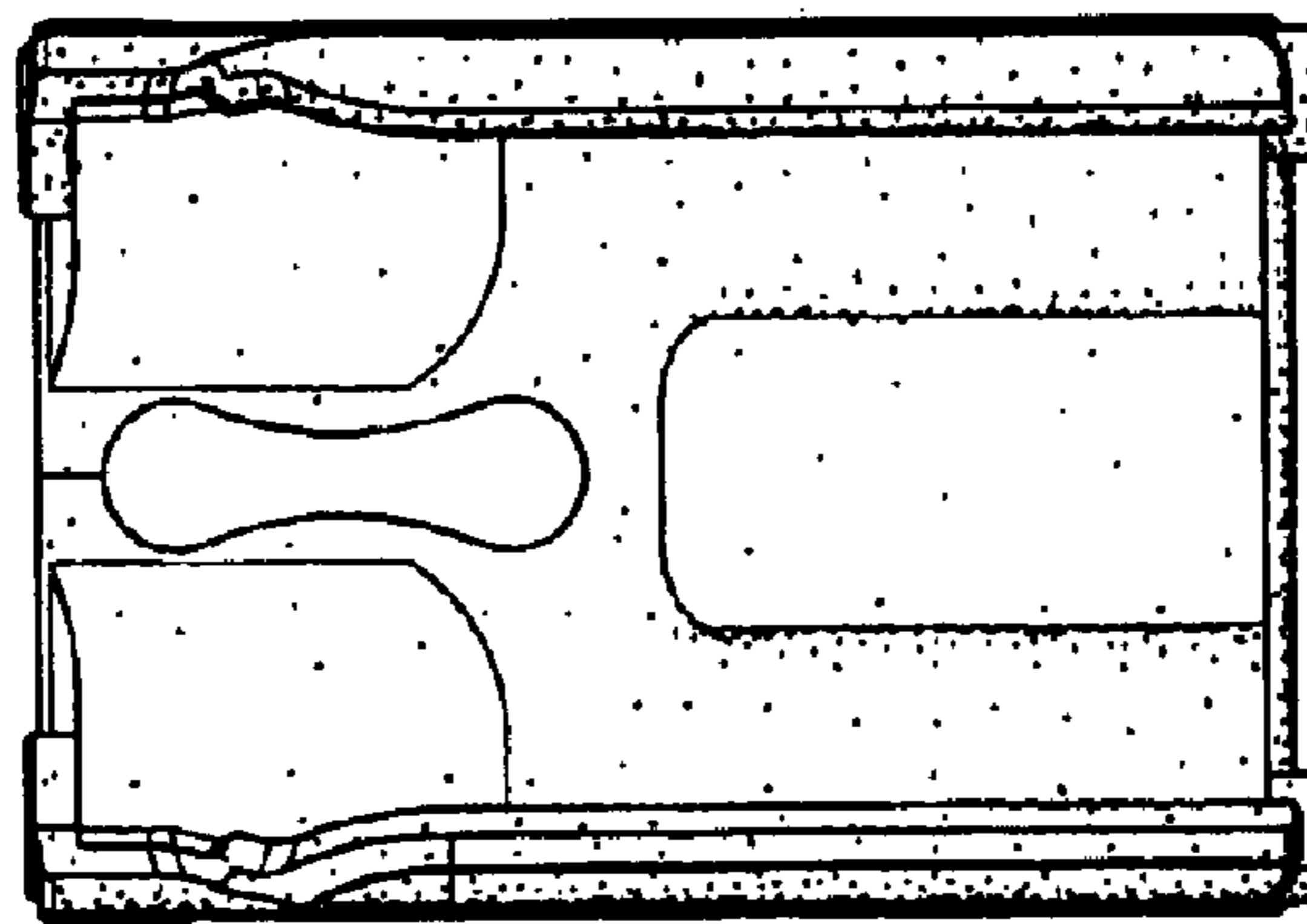


Fig. 6

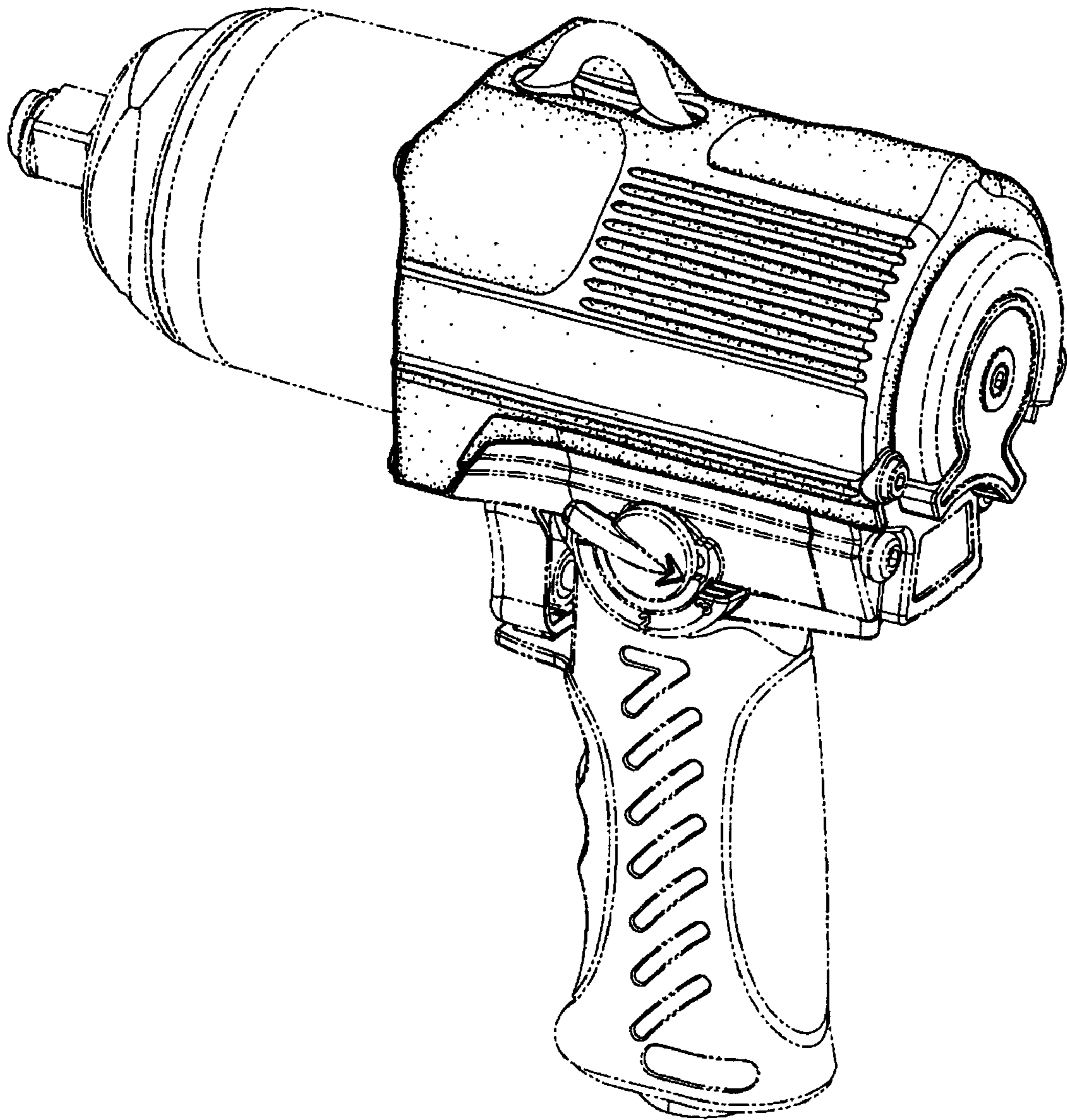


Fig. 7