



US00D518343S

(12) **United States Design Patent**
Kelleghan

(10) **Patent No.:** **US D518,343 S**
(45) **Date of Patent:** **** Apr. 4, 2006**

(54) **FIRE AXE SHAPED BOTTLE OPENER**

(75) Inventor: **Brian James Kelleghan**, Longmont,
CO (US)

(73) Assignee: **Bison Designs, LLC**, Longmont, CO
(US)

(**) Term: **14 Years**

(21) Appl. No.: **29/218,732**

(22) Filed: **Dec. 7, 2004**

(51) **LOC (8) Cl.** **07-99**

(52) **U.S. Cl.** **D8/38**

(58) **Field of Classification Search** D8/16-19,
D8/33-35, 38, 40, 41, 43, 48, 75, 76, 78,
D8/88, 89, 305; D7/393, 654, 656; D11/14,
D11/30, 31, 44, 48, 49, 79-81, 82, 95, 99,
D11/100, 127, 133, 134, 157, 158, 162, 204,
D11/205, 211, 217, 219, 223, 224, 232, 233,
D11/238, 239; D21/386, 532, 576; D27/148,
D27/149; D1/106, 107, 126; D19/96, 97;
D3/211; 7/122, 143-145, 151, 152, 156,
7/166; 30/400, 409, 412, 414, 429, 443; 81/3.07,
81/3.09, 3.29, 3.36, 3.41, 3.47, 3.48, 3.55,
81/3.57, 20

See application file for complete search history.

(56) **References Cited**

U.S. PATENT DOCUMENTS

D9,256 S * 5/1876 Savage D11/81
299,414 A 5/1884 Messer
745,008 A 11/1903 Gearhart
889,904 A 6/1908 Chambers
D54,394 S 2/1920 Dodge
D57,662 S 4/1921 Kingston et al.
1,582,442 A * 4/1926 White 81/3.57
1,931,715 A * 10/1933 Baldrige 81/3.57
2,018,083 A * 10/1935 Murdock 81/3.57
D122,100 S * 8/1940 Rector D8/76
D179,916 S 3/1957 Raverty et al.
D196,251 S 9/1963 Piel
D209,381 S * 11/1967 Reuterfors D8/76
D226,162 S 1/1973 Ziaylek, Jr.

D233,405 S 10/1974 Frey
4,023,606 A 5/1977 Kneissl
D299,414 S 1/1989 Bajza et al.
D308,030 S * 5/1990 Restum D11/204
D356,237 S 3/1995 White
D384,255 S 9/1997 Beckner
6,032,553 A * 3/2000 Brucart Puig et al. 81/3.09
D449,500 S * 10/2001 Kelleghan D8/38
D463,239 S 9/2002 Makedonski
D466,768 S * 12/2002 Kelleghan D8/38
D466,769 S * 12/2002 Kelleghan D8/38
D497,087 S 10/2004 Gallo et al.
D504,289 S * 4/2005 Kelleghan D8/38
D504,599 S * 5/2005 Kelleghan D8/38

OTHER PUBLICATIONS

U.S. Appl. No. 29/197,135, filed Jan. 9, 2004, Kelleghan.
U.S. Appl. No. 29/215,502, filed Oct. 20, 2004, Kelleghan.
The Ultimate Corkscrew Book by Donald A. Bull; Schiffer
Publishing Ltd; ISBN: 0-7643-0701-0; Copyright 1999; p.
164 Hammer Bottle openerSee top picture of hammer
shaped openers.
The Ultimate Corkscrew Book by Donald A. Bull; Schiffer
Publishing Ltd; ISBN: 0-7643-0701-0; Copyright 1999; p.
162 Assorted pictures of ice breaking hammers and picks.
Ice Pick design (Grivel Eagle) picture.
Ice Pick design (Black Diamond) picture.

* cited by examiner

Primary Examiner—Caron D. Veynar

Assistant Examiner—Garth Rademaker

(74) *Attorney, Agent, or Firm*—Margaret Polson; Patent
Law Offices of Rick Martin, PC

(57) **CLAIM**

The ornamental design for a fire axe shaped bottle opener, as
shown.

DESCRIPTION

FIG. 1 is a top plan view of my new design for a fire axe
shaped bottle opener.

FIG. 2 is a bottom plan view thereof.

FIG. 3 is a right side elevation thereof.

FIG. 4 is a left side elevation thereof.

FIG. 5 is a back side elevation thereof.

FIG. 6 is a front side elevation thereof; and,

FIG. 7 is a top perspective view thereof.

1 Claim, 1 Drawing Sheet

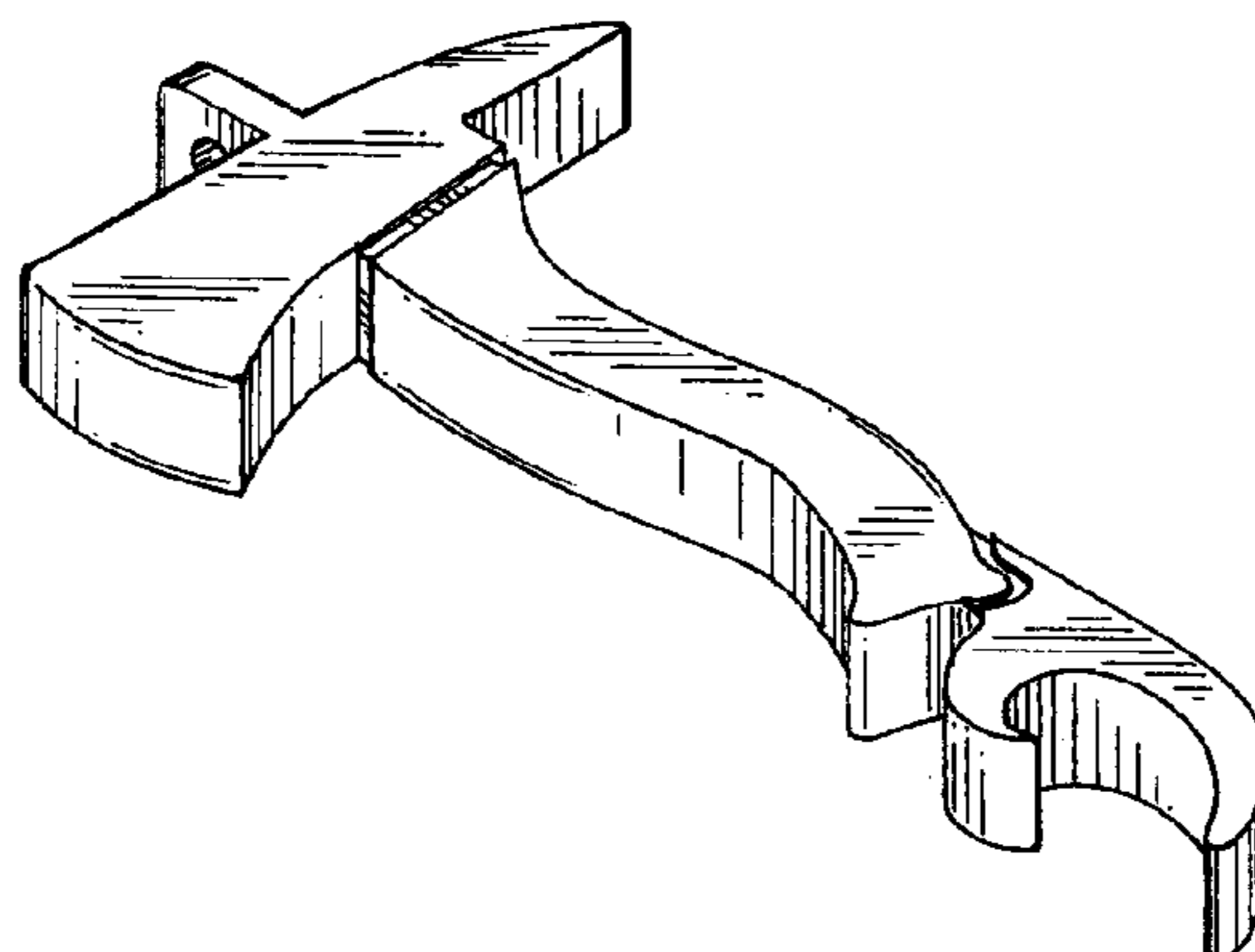




FIG. 5



FIG. 3

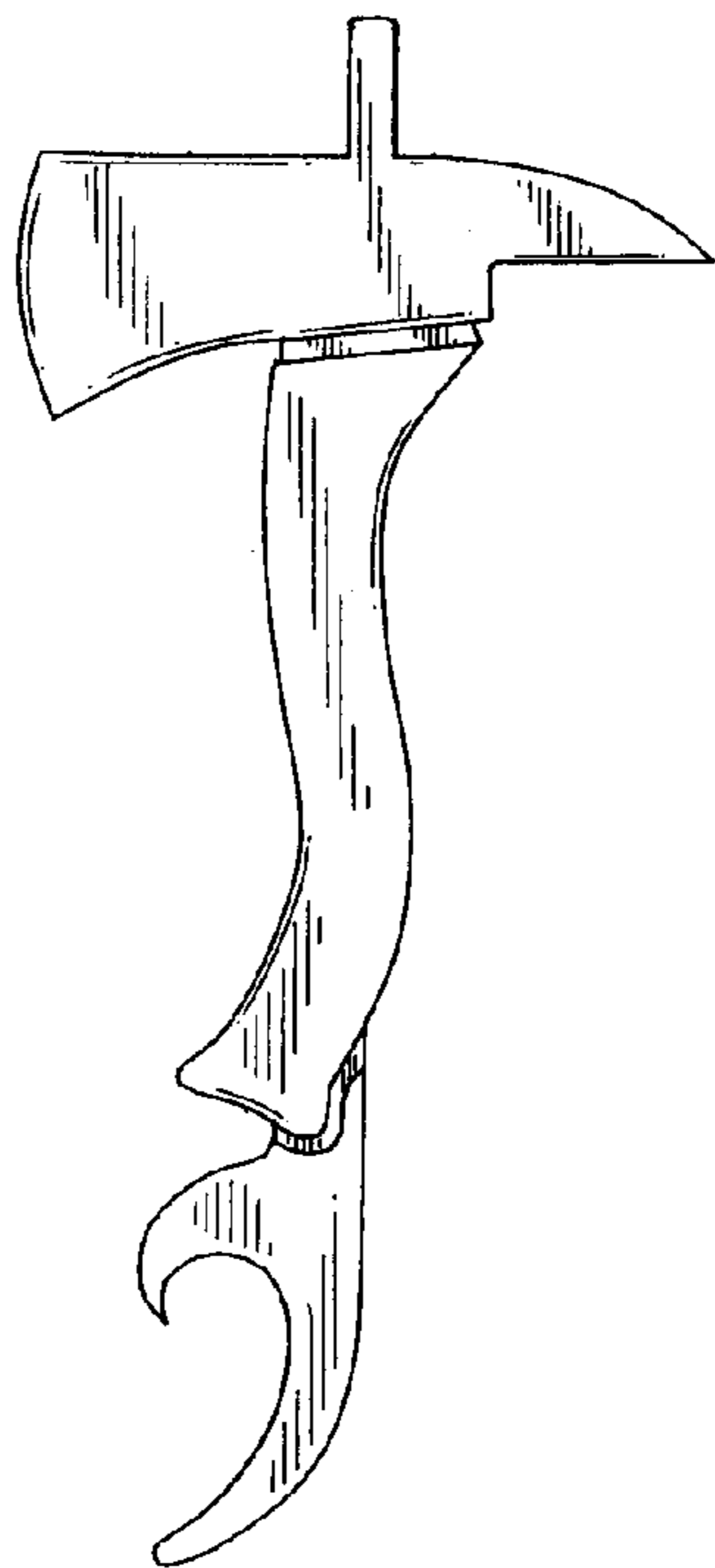


FIG. 1

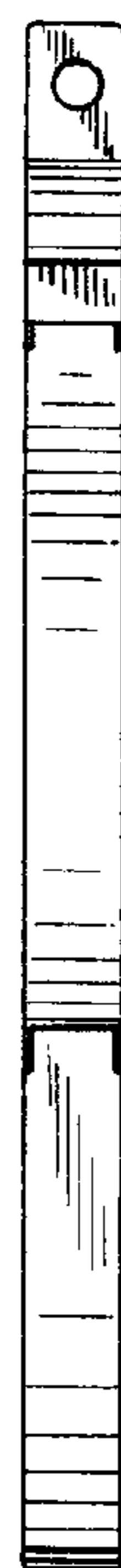


FIG. 4

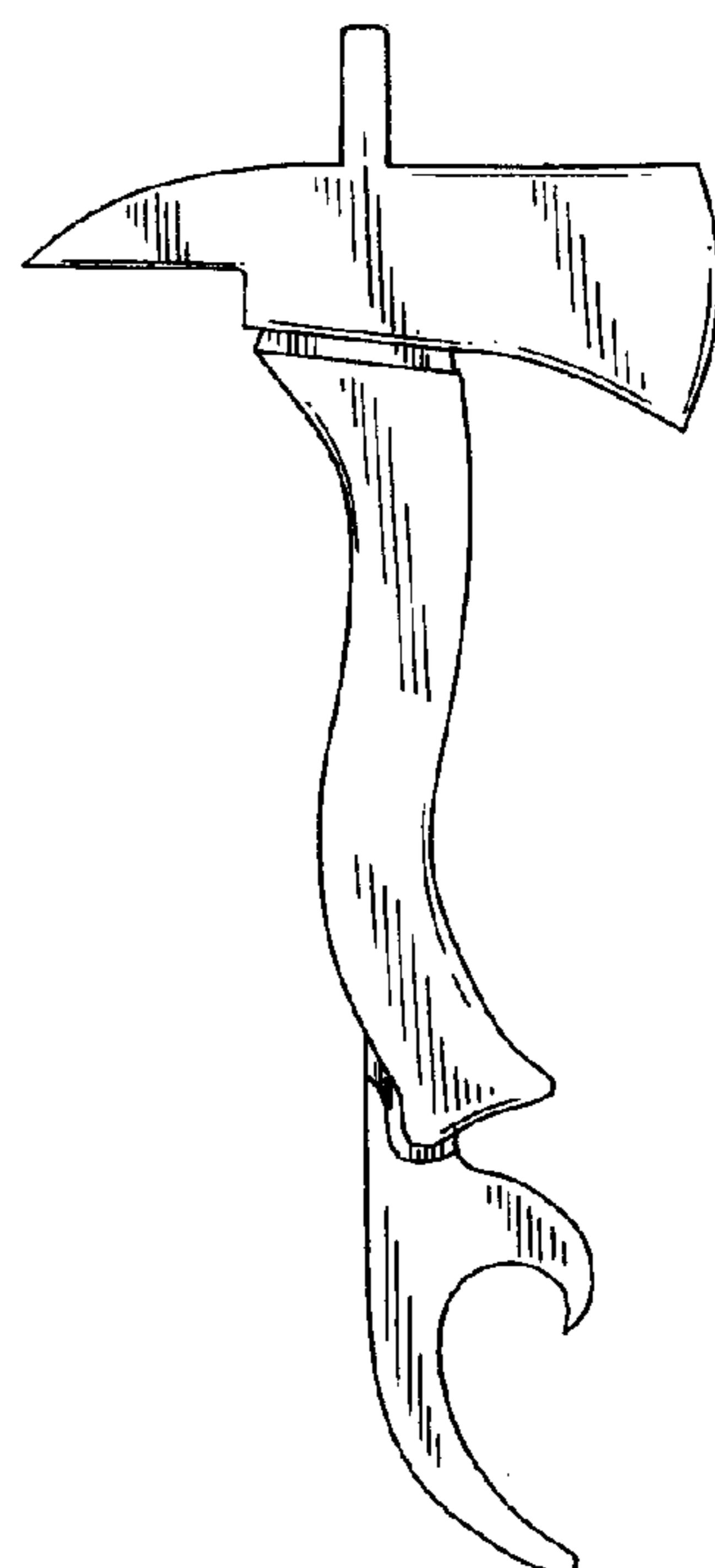


FIG. 2



FIG. 6

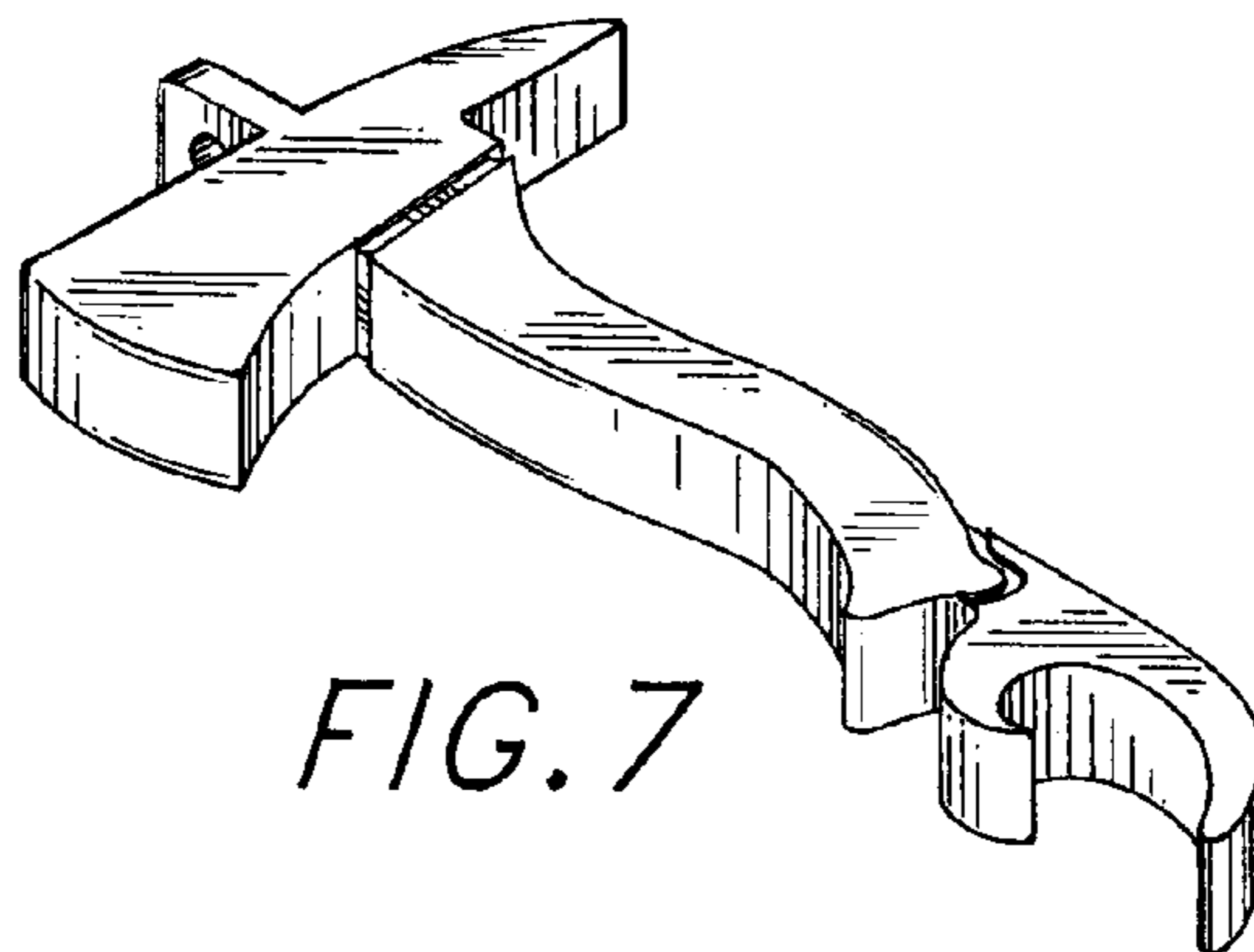


FIG. 7