



US00D518341S

(12) **United States Design Patent**
Lowen

(10) **Patent No.:** **US D518,341 S**

(45) **Date of Patent:** **** Apr. 4, 2006**

(54) **DETECTOR REMOVAL/REPLACEMENT TOOL**

4,433,863 A * 2/1984 Mathews 294/19.1
6,453,775 B1 * 9/2002 Dietrich et al. 81/53.1
6,591,716 B1 * 7/2003 Wantz 81/53.1

(75) Inventor: **Tim Lowen**, Beaconsfield (GB)

* cited by examiner

(73) Assignee: **No Climb Products Limited** (GB)

Primary Examiner—Holly H. Baynham

(**) Term: **14 Years**

(74) *Attorney, Agent, or Firm*—Renner, Kenner, Grieve, Bobak, Taylor & Weber

(21) Appl. No.: **29/221,448**

(57) **CLAIM**

(22) Filed: **Jan. 13, 2005**

The ornamental design for a detector removal/replacement tool, as shown and described.

(51) **LOC (8) Cl.** **08-05**

(52) **U.S. Cl.** **D8/14**

(58) **Field of Classification Search** D8/14;
81/53.1, 176.15; 294/19.1

DESCRIPTION

See application file for complete search history.

FIG. 1 is a perspective view of a detector/replacement tool showing my new design; and,

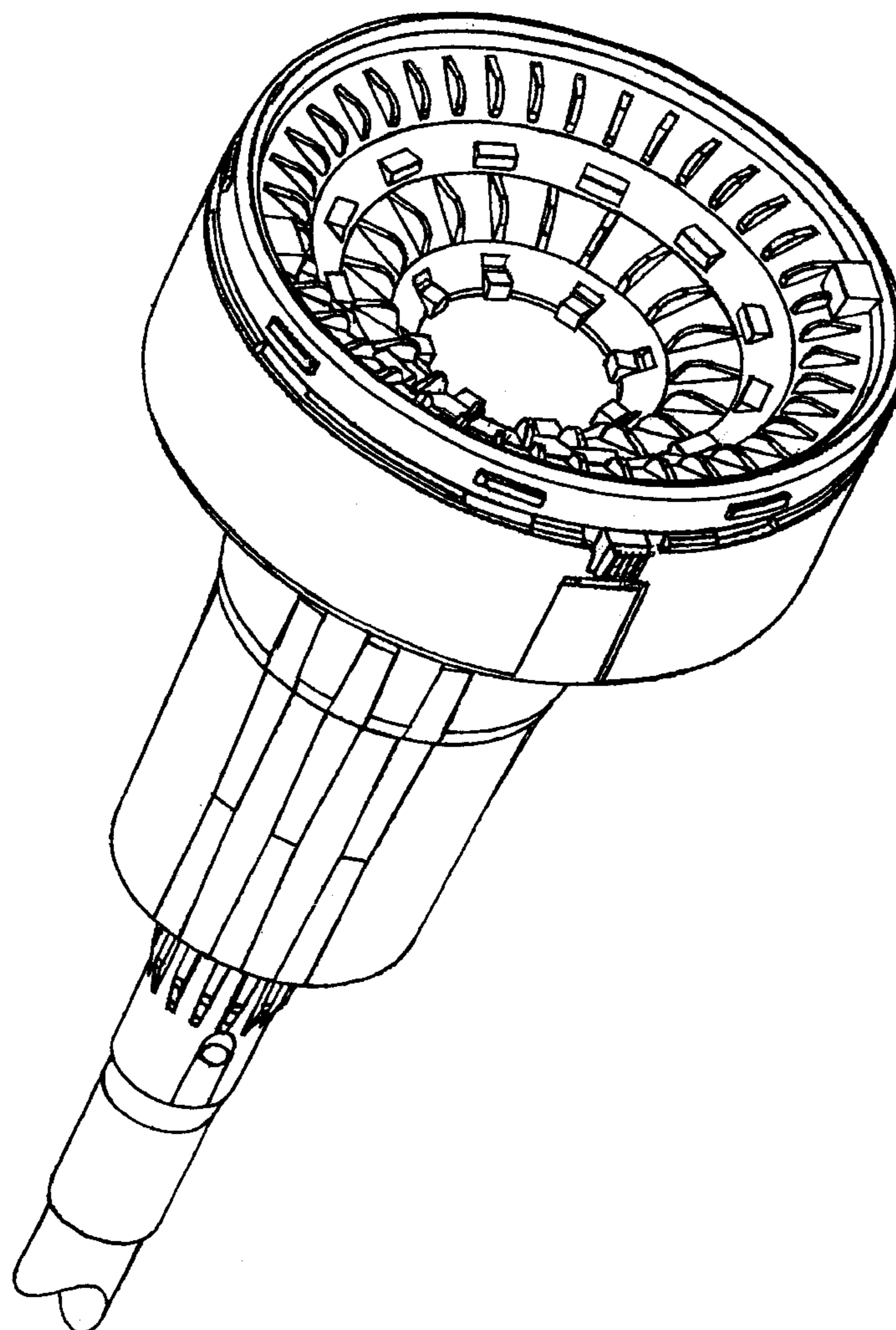
FIG. 2 is a reduced scale exploded perspective view thereof.

(56) **References Cited**

U.S. PATENT DOCUMENTS

3,900,795 A * 8/1975 Larsen et al. 324/537

1 Claim, 2 Drawing Sheets



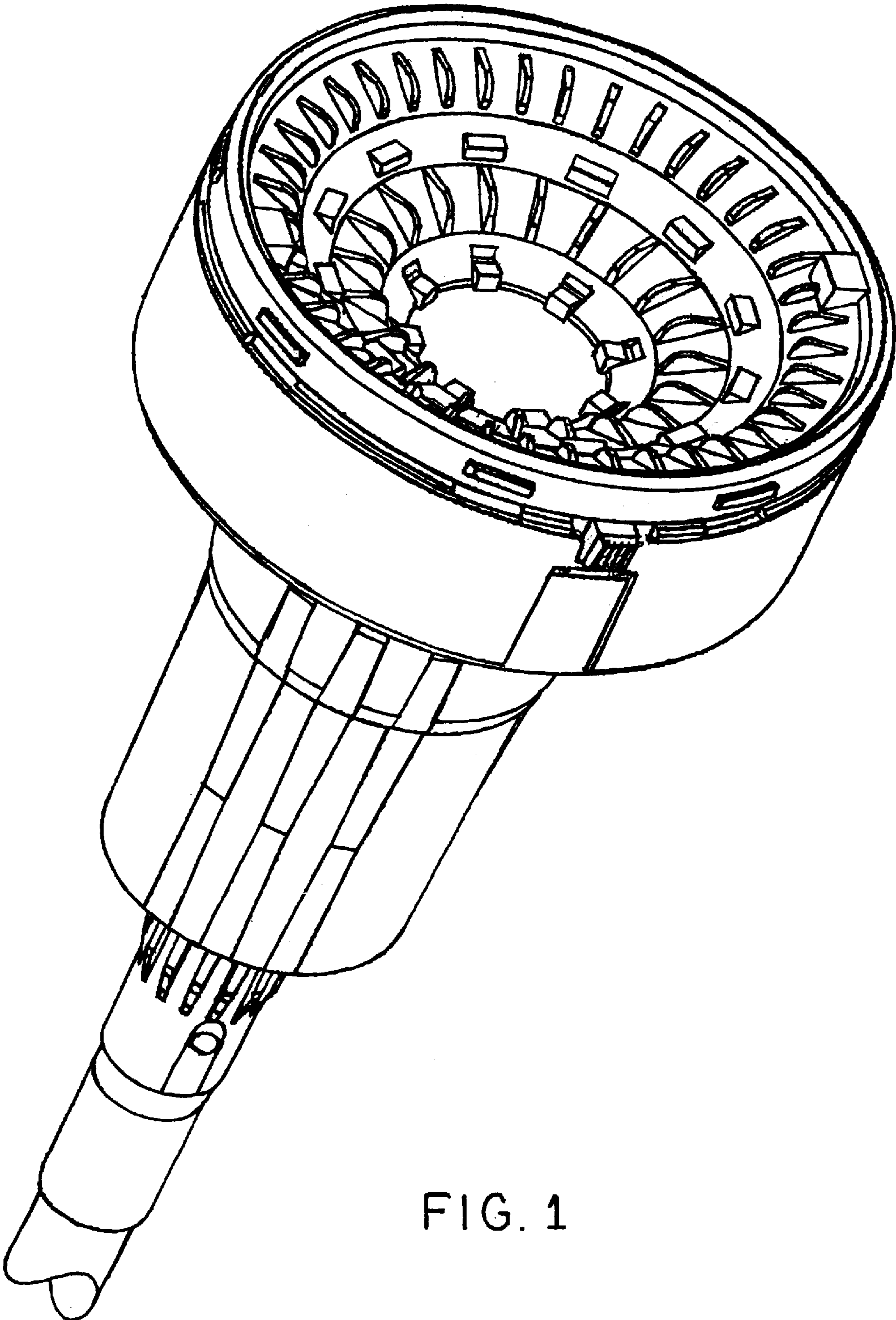


FIG. 1

FIG. 2

