



US00D518339S

(12) **United States Design Patent**
Campbell et al.

(10) **Patent No.:** **US D518,339 S**

(45) **Date of Patent:** **** Apr. 4, 2006**

(54) **GARDEN WEEDER**

(76) Inventors: **Pirkko Campbell**, 4118 Lillian Street,
Hanmer, Ontario (CA), P3E 1A2;
Robert Chaput, 47 Gleneden Court,
Garson, Ontario (CA), P3L 1L6

(**) Term: **14 Years**

(21) Appl. No.: **29/223,976**

(22) Filed: **Feb. 24, 2005**

(51) **LOC (8) Cl.** **08-01**

(52) **U.S. Cl.** **D8/9**

(58) **Field of Classification Search** D8/9;
172/371-372, 380

See application file for complete search history.

(56) **References Cited**

U.S. PATENT DOCUMENTS

1,870,891	A	*	8/1932	Bristow et al.	172/372
1,895,875	A	*	1/1933	Beeman	172/380
1,933,625	A	*	11/1933	Hovland	172/372
2,079,879	A	*	5/1937	Schluter	172/376

* cited by examiner

Primary Examiner—Holly H. Baynham

(74) *Attorney, Agent, or Firm*—Mike M. Gauthier

(57) **CLAIM**

I claim the ornamental design for the garden weeder, as shown and described.

DESCRIPTION

The present design relates to garden weeding hand tool having a gripped handle in which an extension handle may be threadedly attached, and a toothed blade portion having a semi-circular band extending outward from said handle. The openings between the teeth taper upwardly and terminate to a small near-full circle.

FIG. 1 is a rear perspective view from above of the garden weeder of the present design.

FIG. 2 is a front perspective view from above of the garden weeder of the present design.

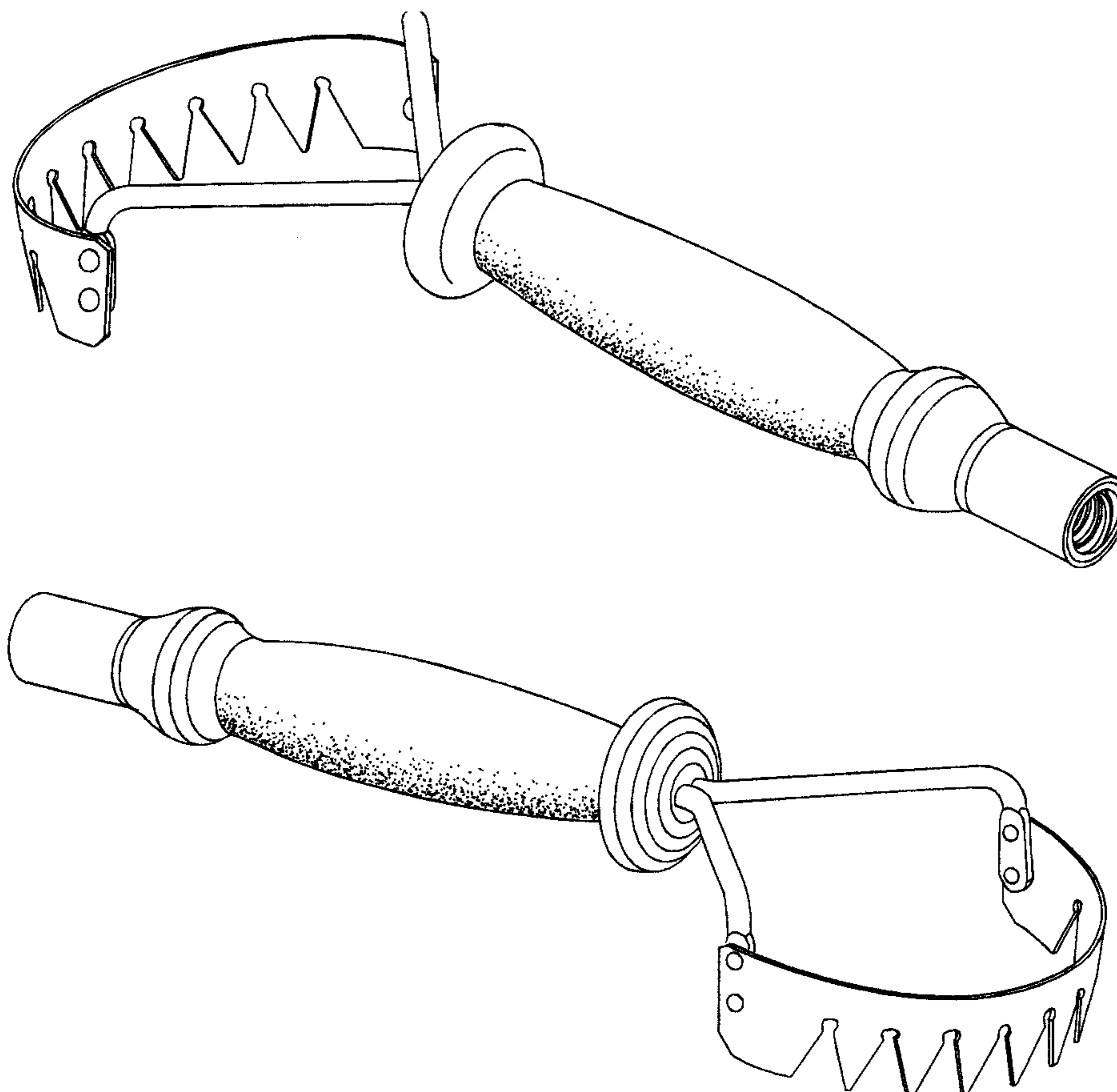
FIG. 3 is a right side elevation view of the garden weeder of the present design.

FIG. 4 is a top plan view of the garden weeder of the present design.

FIG. 5 is a rear elevation view of the garden weeder of the present design; and,

FIG. 6 is a front elevation view of the garden weeder of the present design.

1 Claim, 2 Drawing Sheets



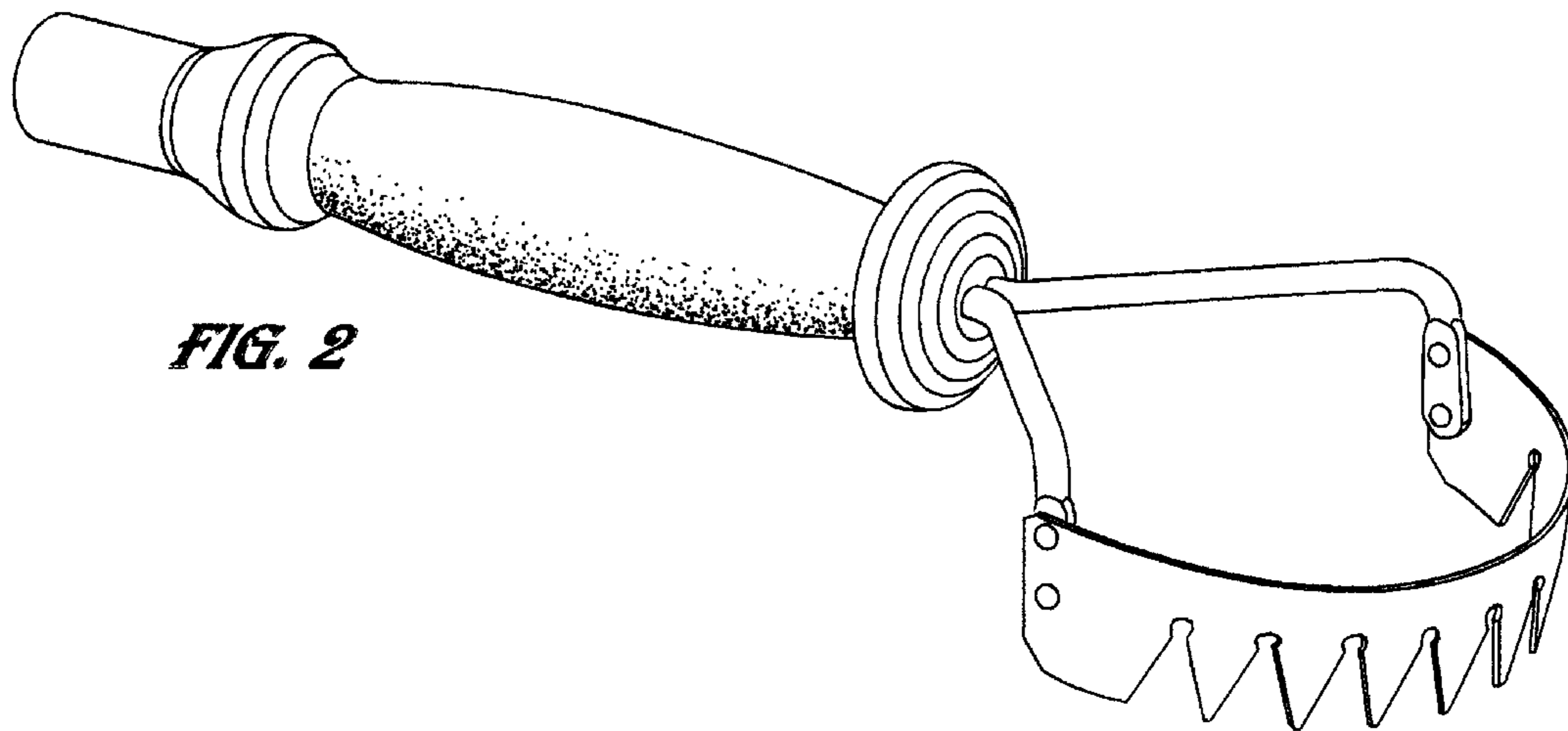
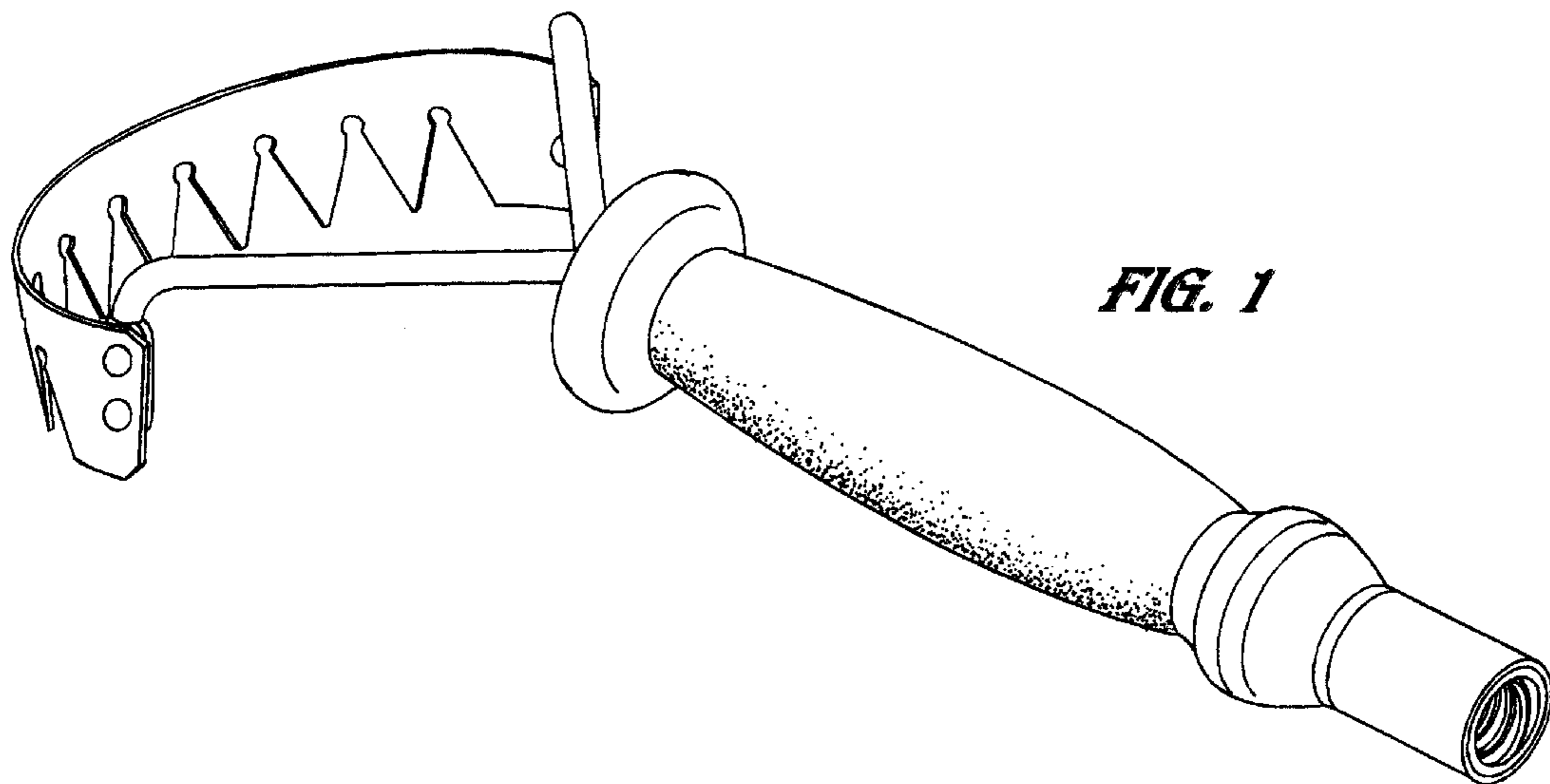


FIG. 3

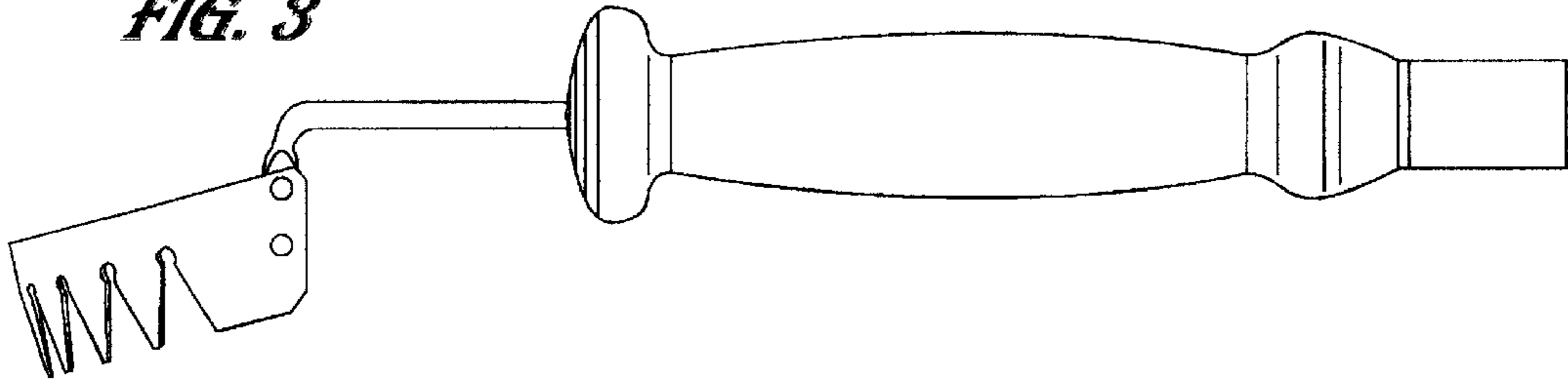


FIG. 4

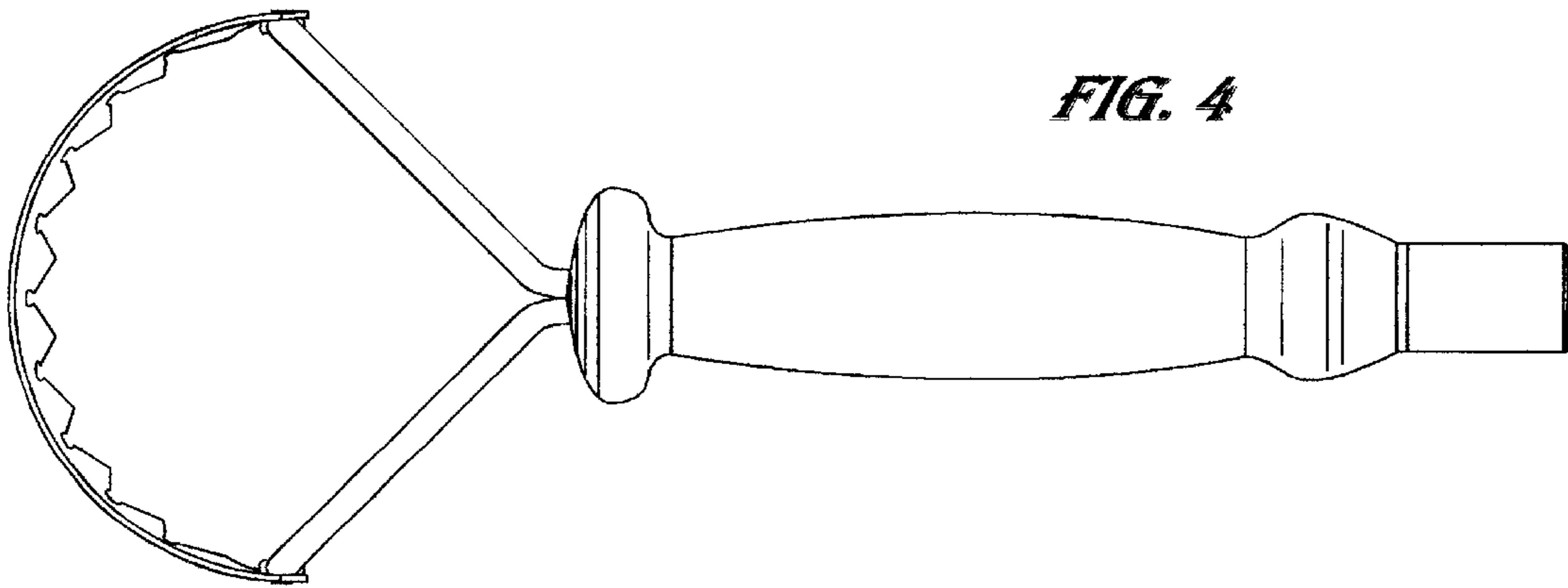


FIG. 5

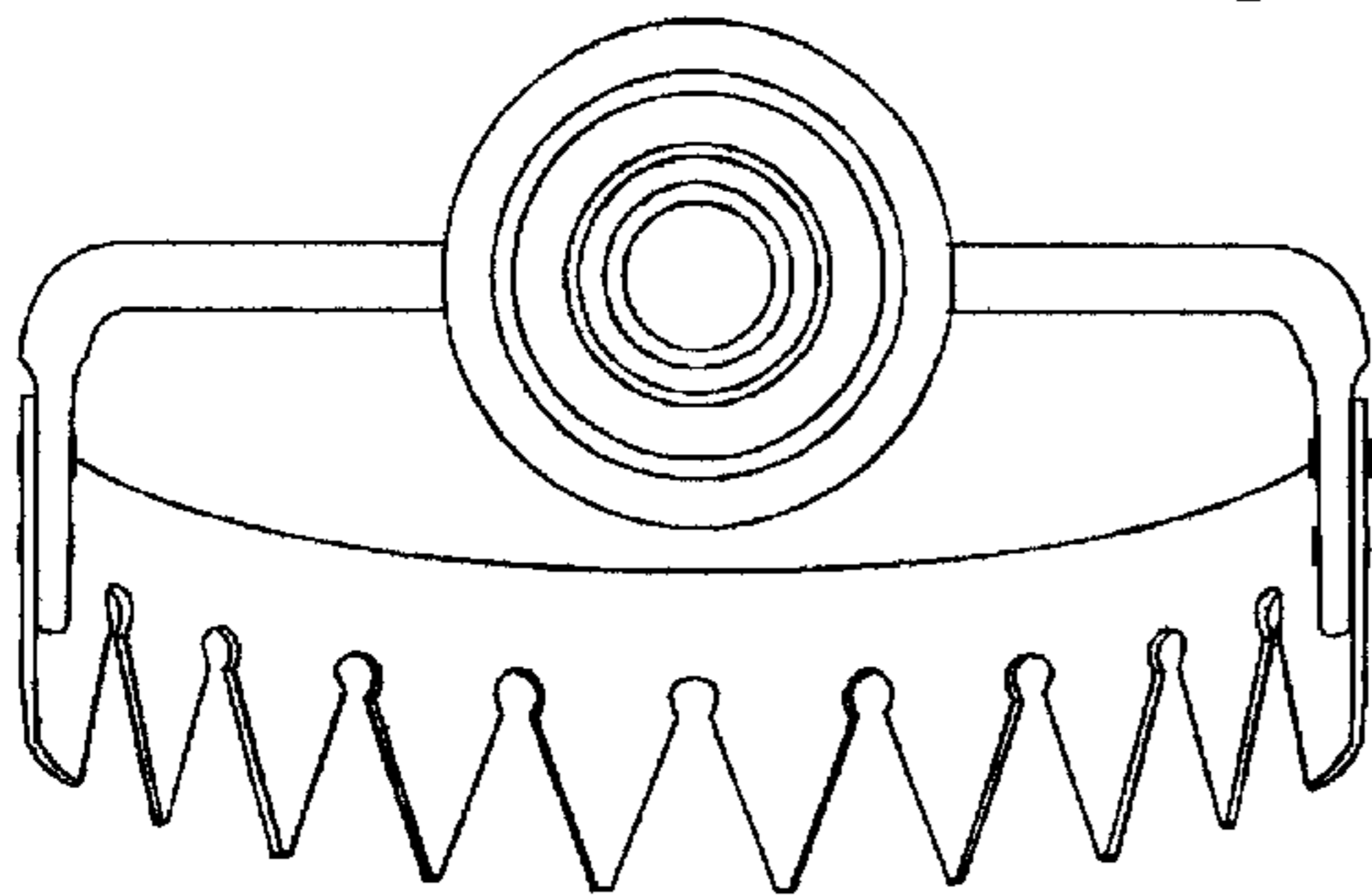


FIG. 6

