



US00D518338S

(12) **United States Design Patent**  
**Wolf**

(10) **Patent No.:** **US D518,338 S**

(45) **Date of Patent:** **\*\* Apr. 4, 2006**

(54) **SQUEEZE FORK**

(76) **Inventor:** **Thomas H. Wolf**, 1120 Thorndale Ave.,  
Bensenville, IL (US) 60106

(\*\*) **Term:** **14 Years**

(21) **Appl. No.:** **29/230,460**

(22) **Filed:** **May 20, 2005**

(51) **LOC (8) Cl.** ..... **07-02**

(52) **U.S. Cl.** ..... **D7/683; D7/686**

(58) **Field of Classification Search** ..... D7/681-696,  
D7/393, 395; 30/129, 322, 323; 294/3, 8,  
294/8.5, 11, 16, 99.1, 99.2, 118, 119

See application file for complete search history.

2,430,242 A	11/1947	Nichols
2,730,802 A	1/1956	Ciaglia
2,783,535 A	3/1957	Cesare
3,602,541 A	8/1971	Sharpe
D402,860 S	12/1998	Stills
D421,880 S	3/2000	Stills
D423,304 S	4/2000	Kontou
D485,475 S	1/2004	Wolf

*Primary Examiner*—Terry A. Wallace

(74) *Attorney, Agent, or Firm*—James B. Conte; Barnes & Thornburg LLP

(57) **CLAIM**

The ornamental design for a squeeze fork, as shown and described.

**DESCRIPTION**

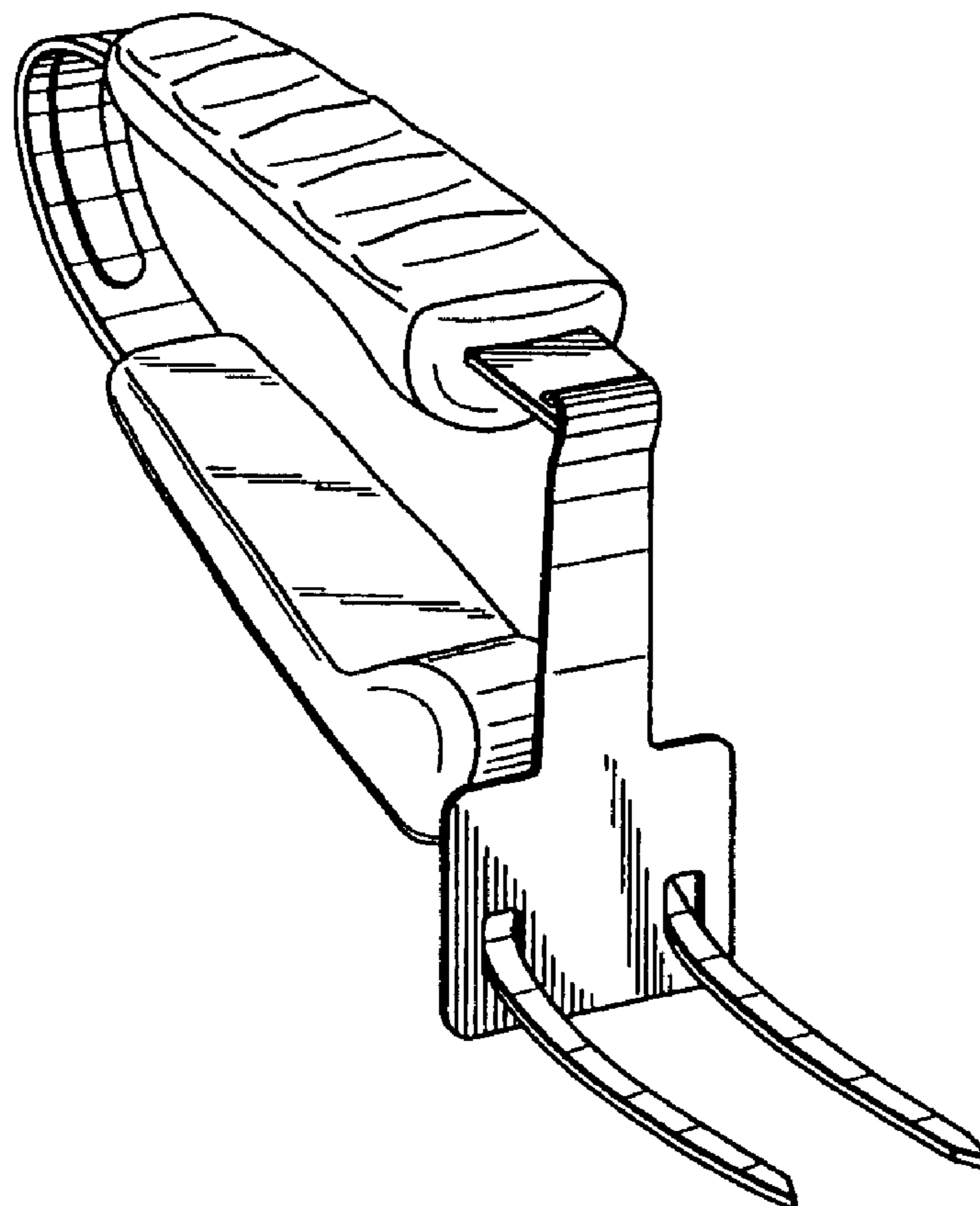
FIG. 1 discloses an elevated top perspective view of a squeeze fork which embodies the present invention; FIG. 2 is a lower, bottom perspective view of the squeeze fork; FIG. 3 is a front view of the squeeze fork; FIG. 4 is a rear view of the squeeze fork; FIG. 5 is a top view of the squeeze fork; FIG. 6 is a right sided view of the squeeze fork; FIG. 7 is a bottom view of the squeeze fork; and, FIG. 8 is a right sided view of the squeeze fork showing the squeeze fork in an alternative orientation.

**1 Claim, 3 Drawing Sheets**

(56) **References Cited**

**U.S. PATENT DOCUMENTS**

76,835 A	4/1868	Smith
208,354 A	9/1878	Williams
1,036,472 A	8/1912	Edwards
1,065,433 A	6/1913	Dow
1,065,997 A	7/1913	Bentley
1,189,692 A	7/1916	Hoffman
1,265,087 A	5/1918	Johnson
1,432,108 A	10/1922	Johnson
1,882,246 A	10/1932	Hutchison
2,236,606 A	4/1941	Parvu
2,319,986 A	5/1943	Hanson



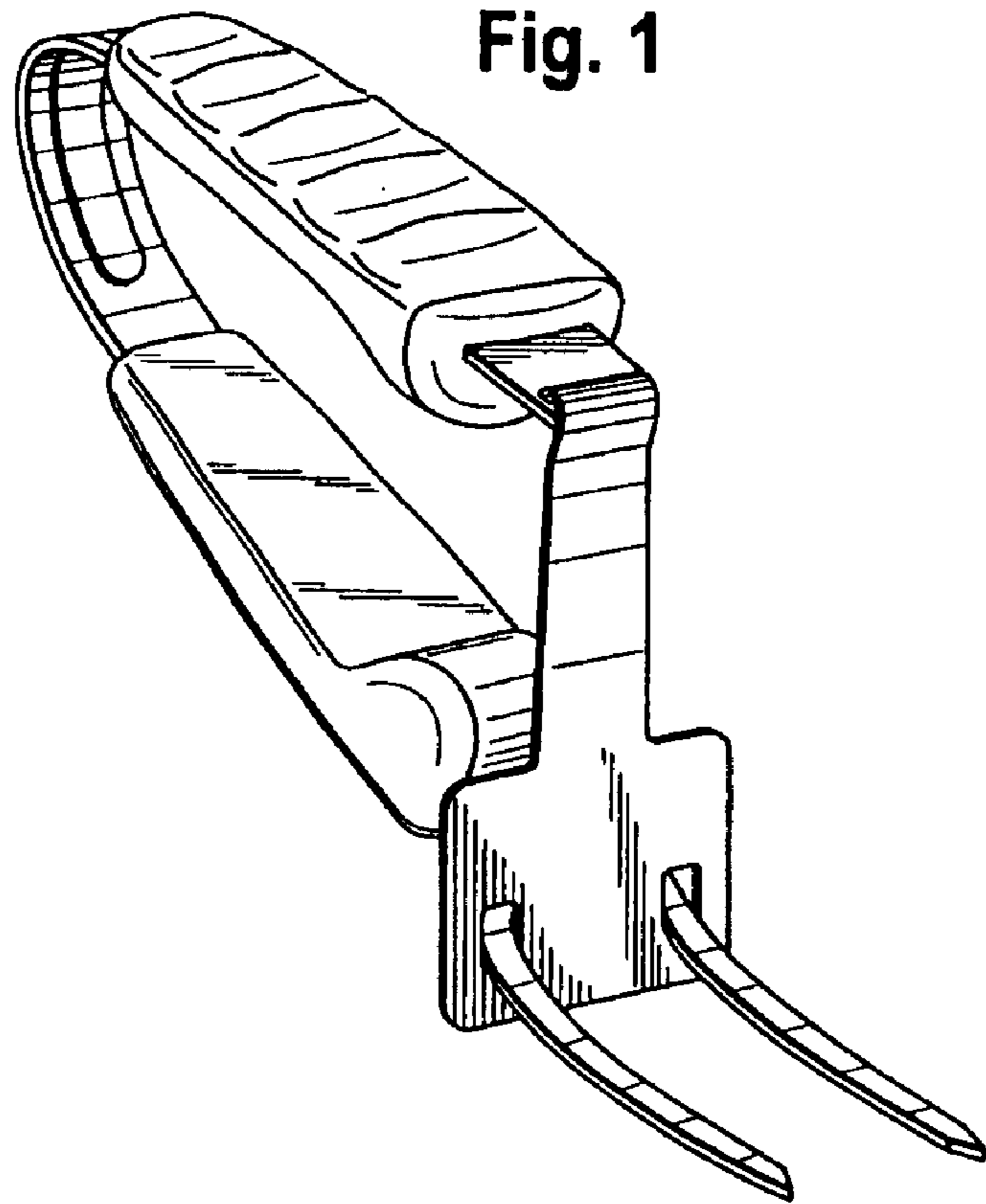


Fig. 1

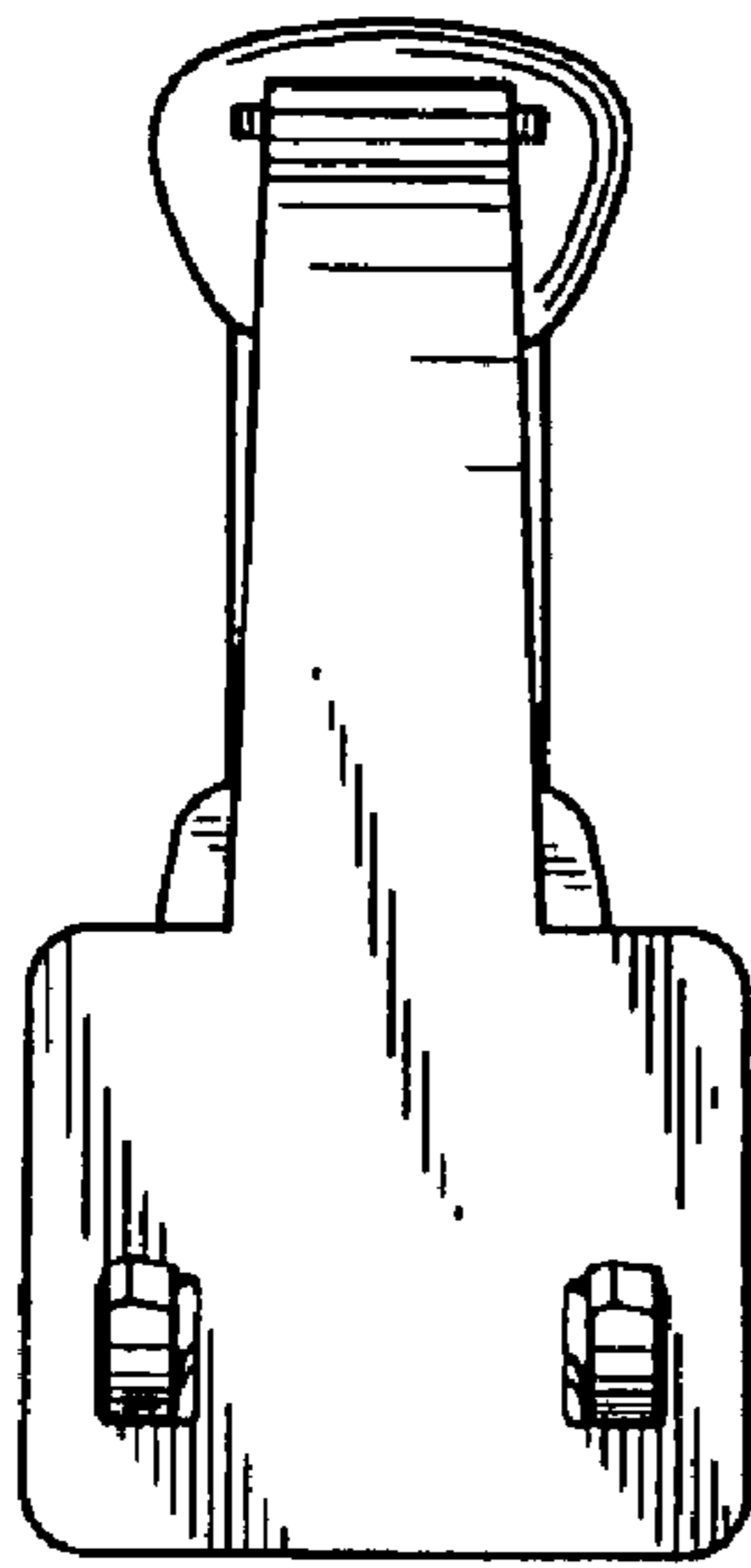


Fig. 3

Fig. 2

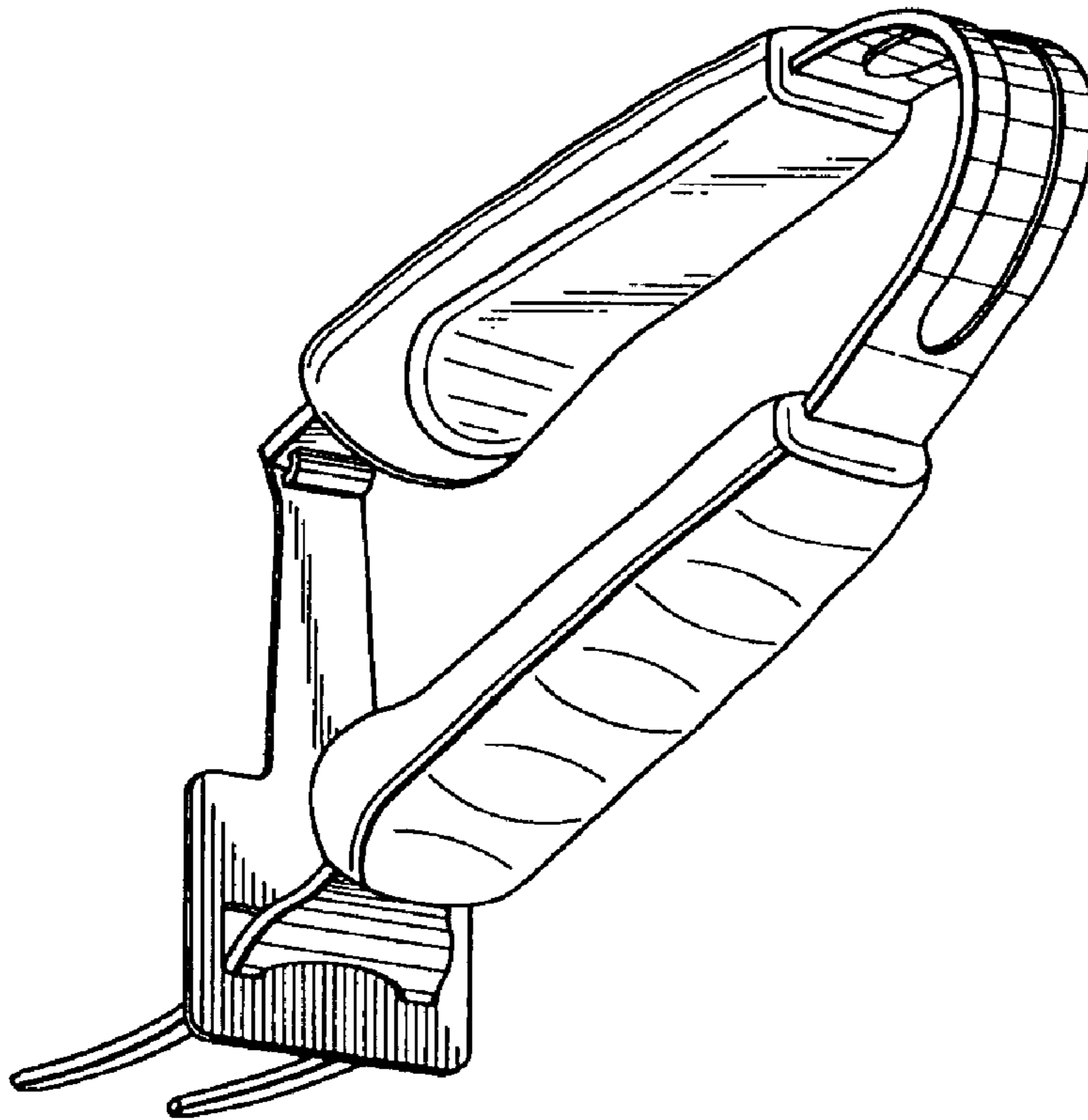


Fig. 4

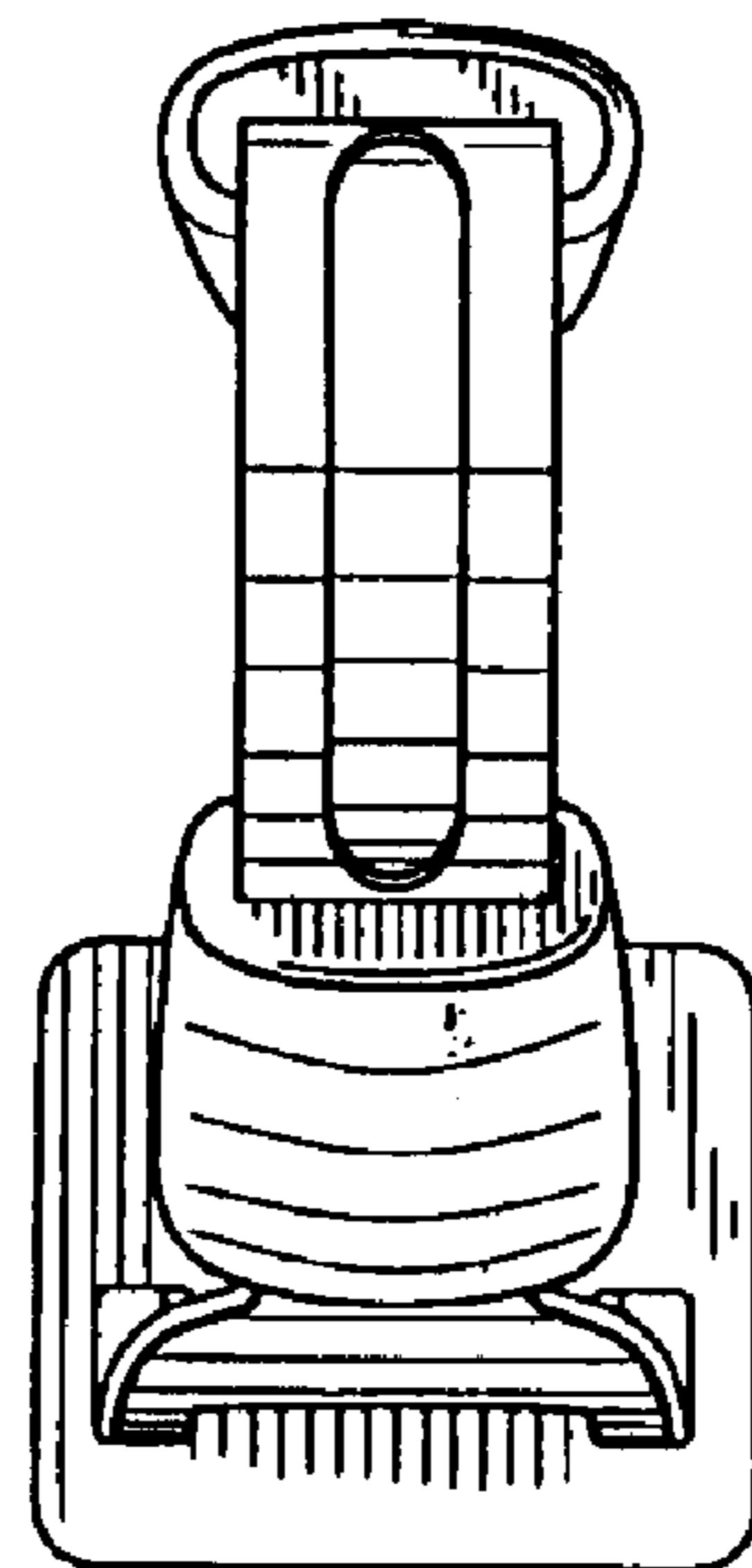


Fig. 5

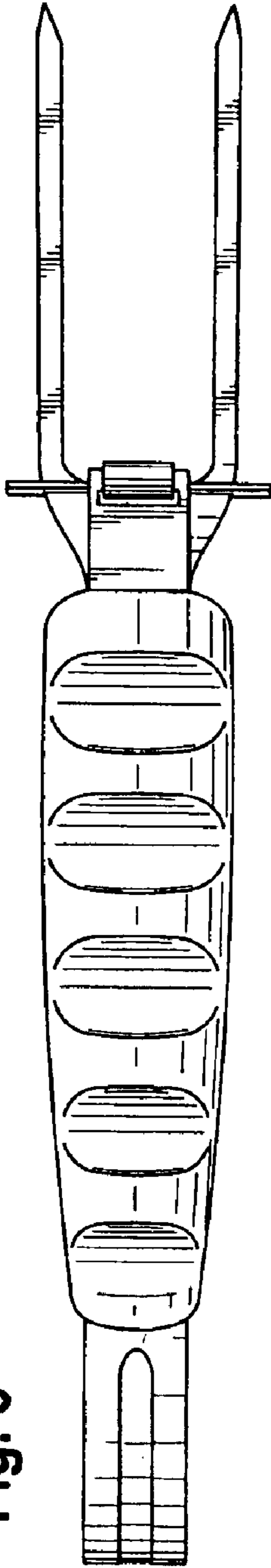


Fig. 6

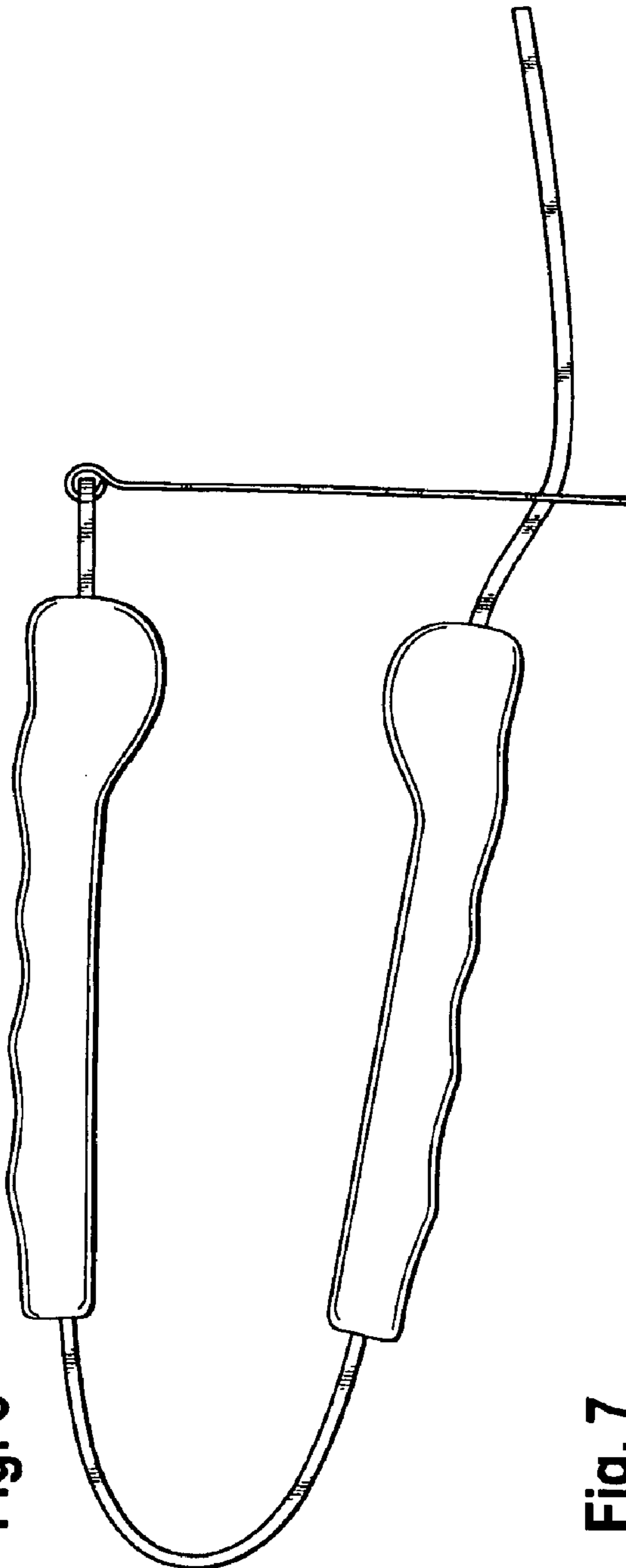


Fig. 7

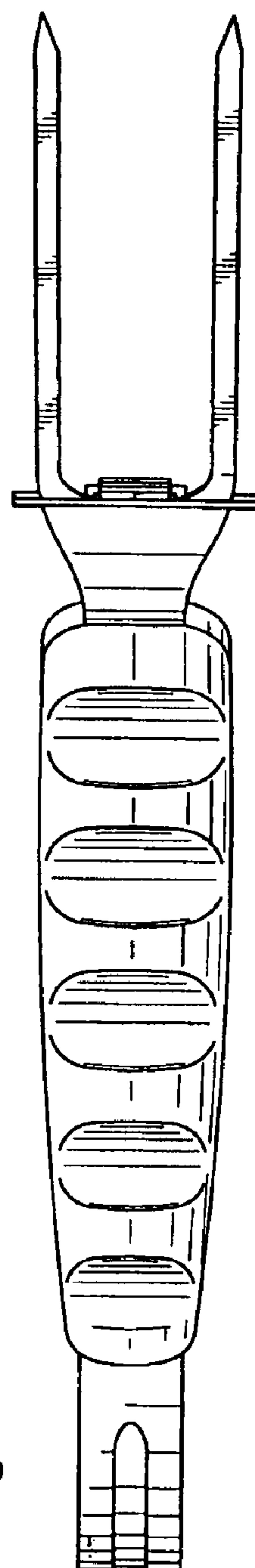


Fig. 8

