



US00D518336S

(12) **United States Design Patent**
Hirani

(10) **Patent No.:** **US D518,336 S**

(45) **Date of Patent:** **** Apr. 4, 2006**

(54) **CONTAINER WHICH CONTAINS FOOD**

4,474,303 A * 10/1984 Maccise 220/4.27
D350,460 S * 9/1994 Picozza et al. D7/629

(76) Inventor: **Jamal Hirani**, Michelle Court, 15 Blyth Road, Bromley, Kent B21 3RS (GB)

* cited by examiner

(**) Term: **14 Years**

Primary Examiner—Terry A. Wallace

(74) *Attorney, Agent, or Firm*—Hoffman, Wasson & Gitler

(21) Appl. No.: **29/192,217**

(57) **CLAIM**

(22) Filed: **Oct. 22, 2003**

The ornamental design for a container which contains food, as shown, and described.

(30) **Foreign Application Priority Data**

Apr. 23, 2003 (GB) 3012280

DESCRIPTION

(51) **LOC (8) Cl.** **07-07**

FIG. 1 is a front perspective view of a container which contains food in accordance with the invention:

(52) **U.S. Cl.** **D7/629**

FIG. 2 is a front view of the container which contains food of FIG. 1;

(58) **Field of Classification Search** D7/629,
D7/601, 602, 612–615, 538–549; D9/424–432;
220/4.24, 4.26, 4.27, 4.28, 4.32, 380, 505,
220/575, 662, 675, 780–799, 805
See application file for complete search history.

FIG. 3 is a rear view of the container which contains food of FIG. 1;

FIG. 4 is a side view of the container which contains food of FIG. 1;

FIG. 5 is an opposite side view of the container which contains food of FIG. 1;

(56) **References Cited**

U.S. PATENT DOCUMENTS

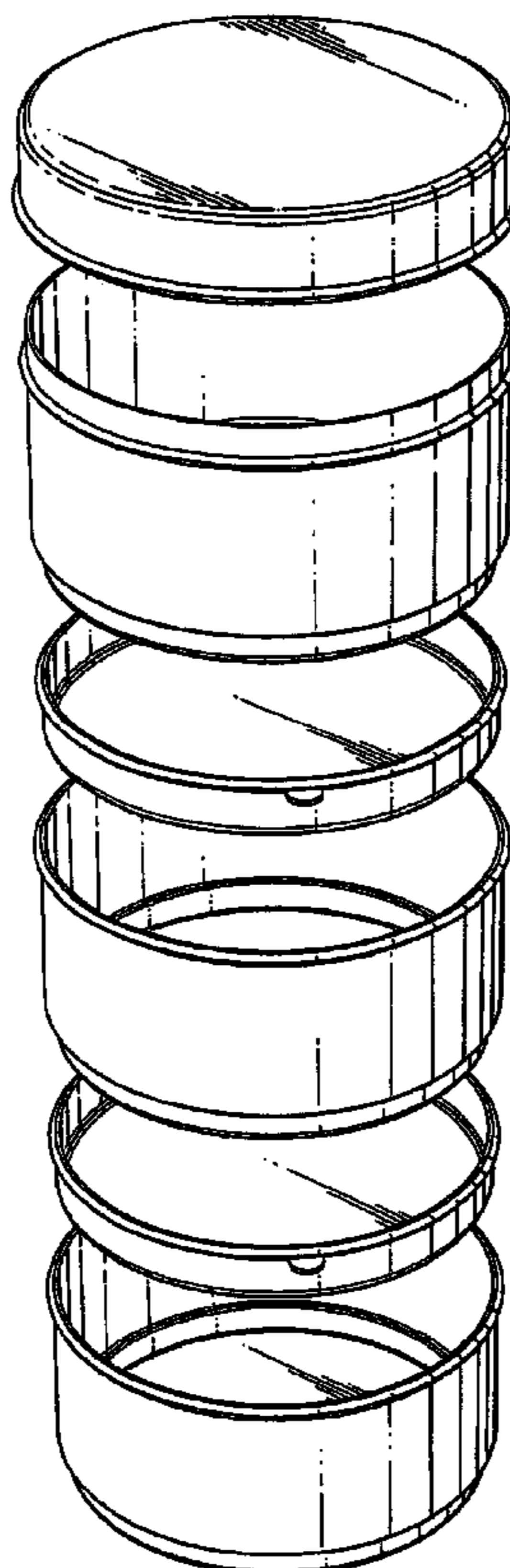
2,514,573 A * 7/1950 Harrison 220/4.24
D167,880 S * 10/1952 Dreitzer D7/614
3,369,691 A * 2/1968 Wei 220/4.27
3,552,548 A * 1/1971 Wallestad et al. 220/4.27

FIG. 6 is a plan view of the container which contains food of FIG. 1; and

FIG. 7 is a bottom view of the container which contains food of FIG. 1; and,

FIG. 8 is an exploded perspective view of the container which contains food of FIG. 1.

1 Claim, 3 Drawing Sheets



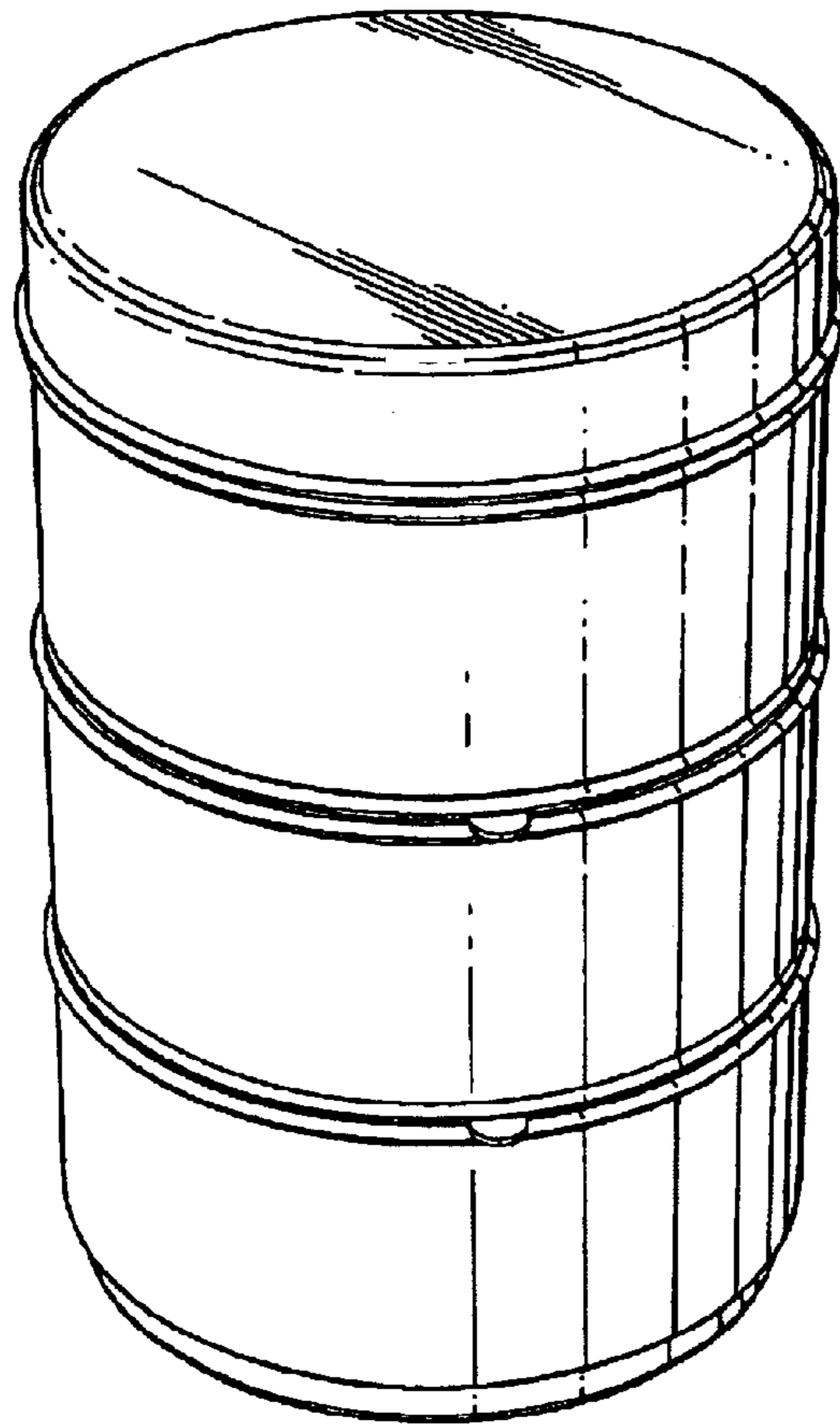


FIG. 1

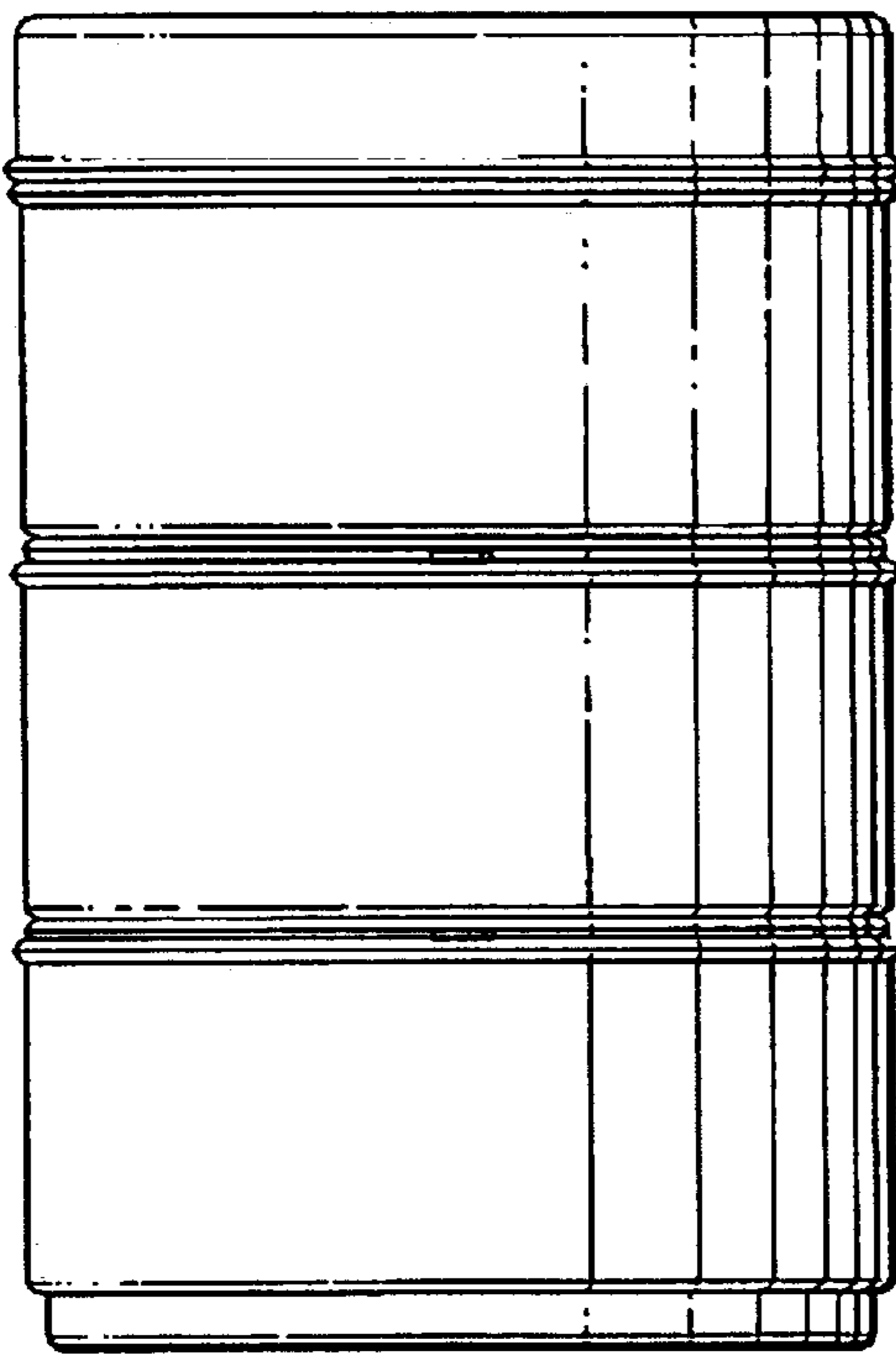


FIG. 2

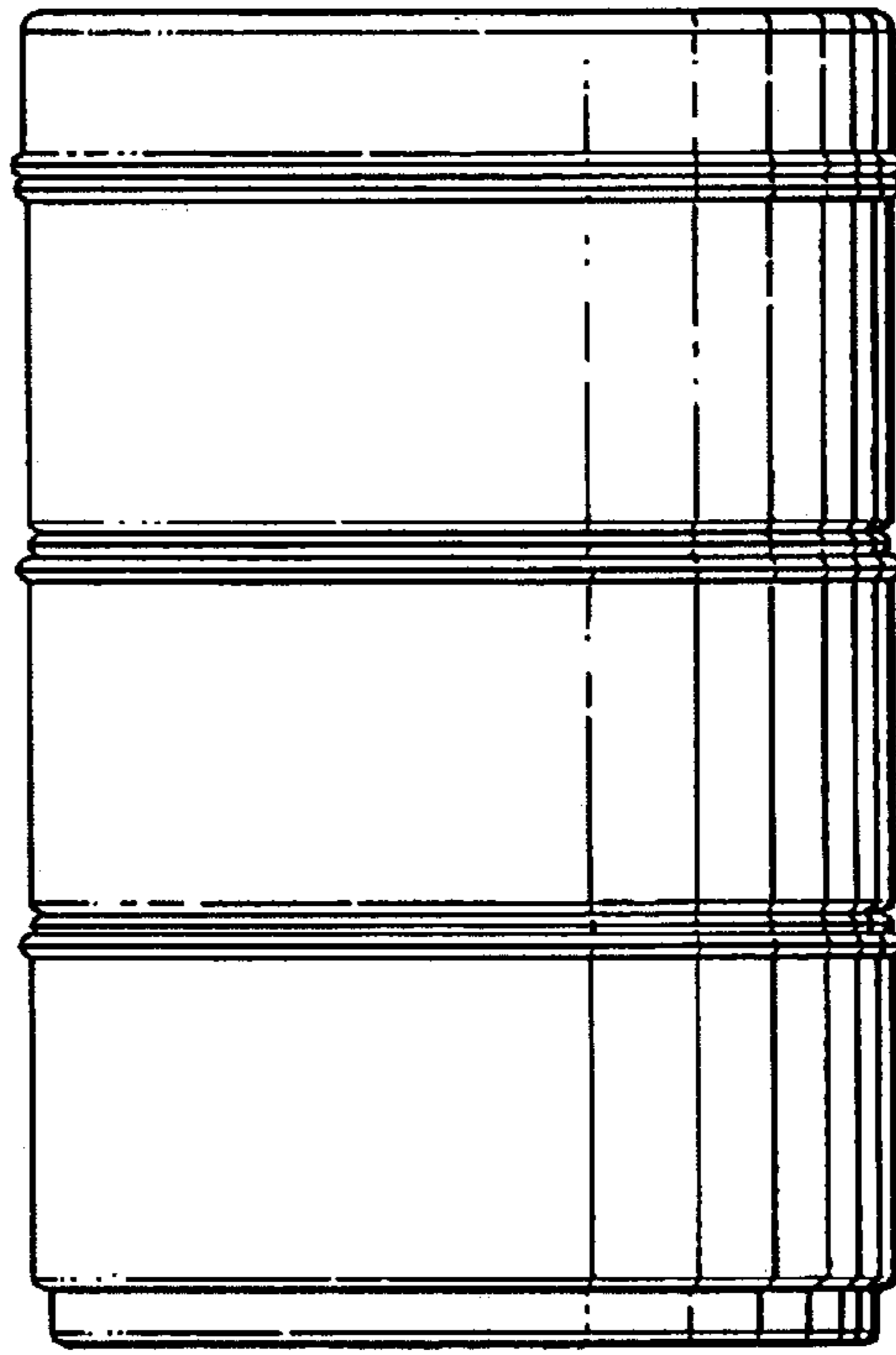


FIG. 3

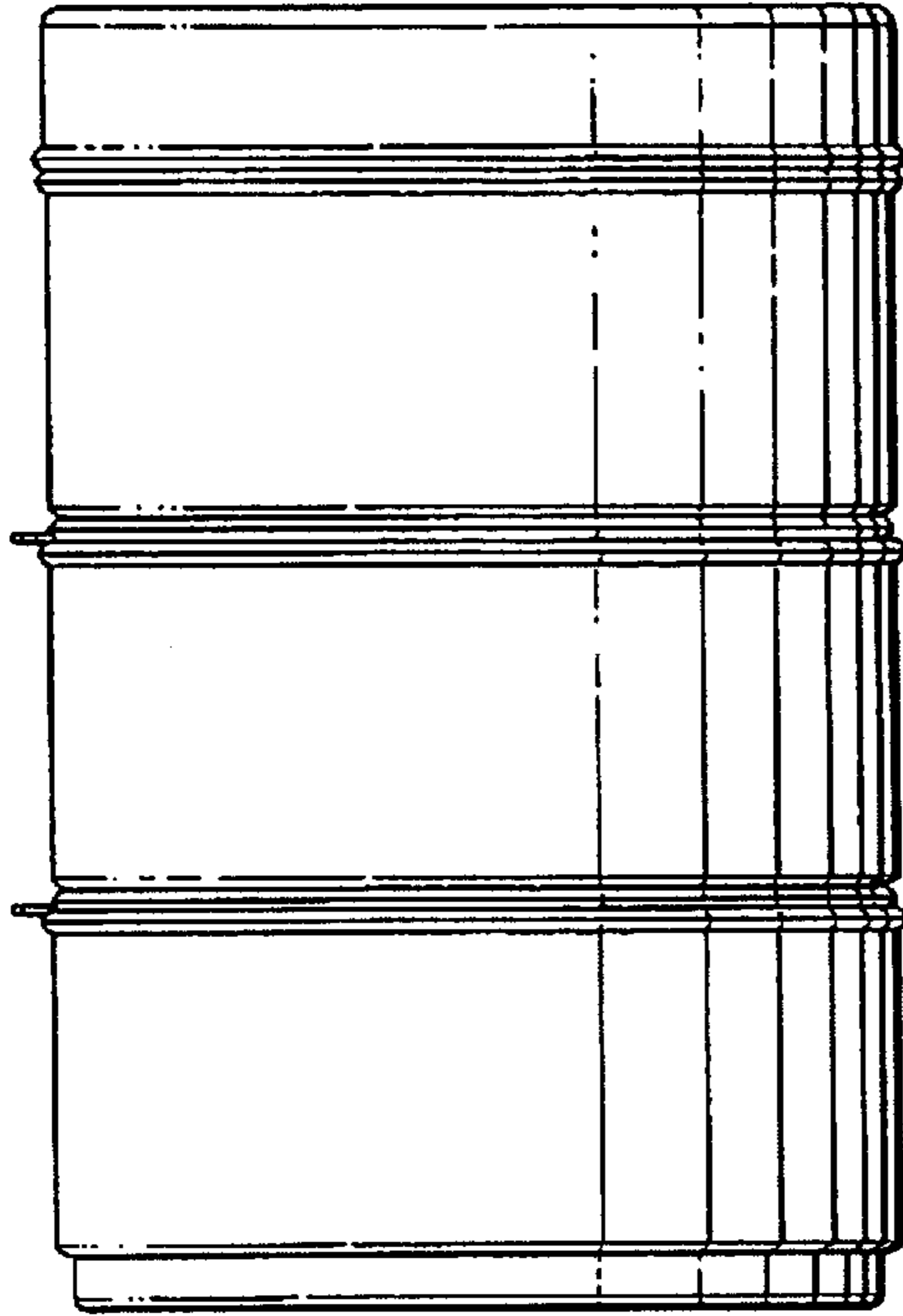


FIG. 4

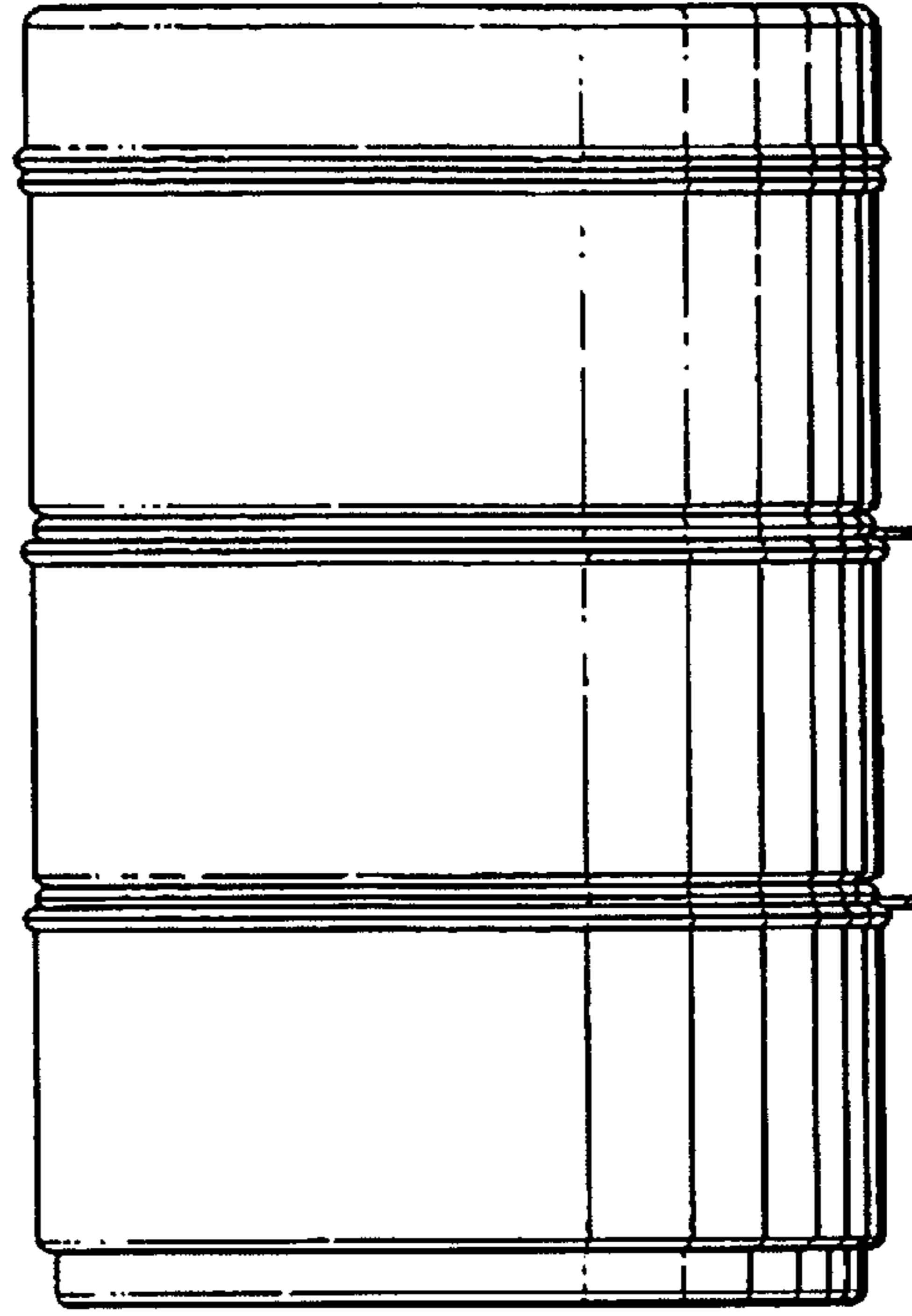


FIG. 5

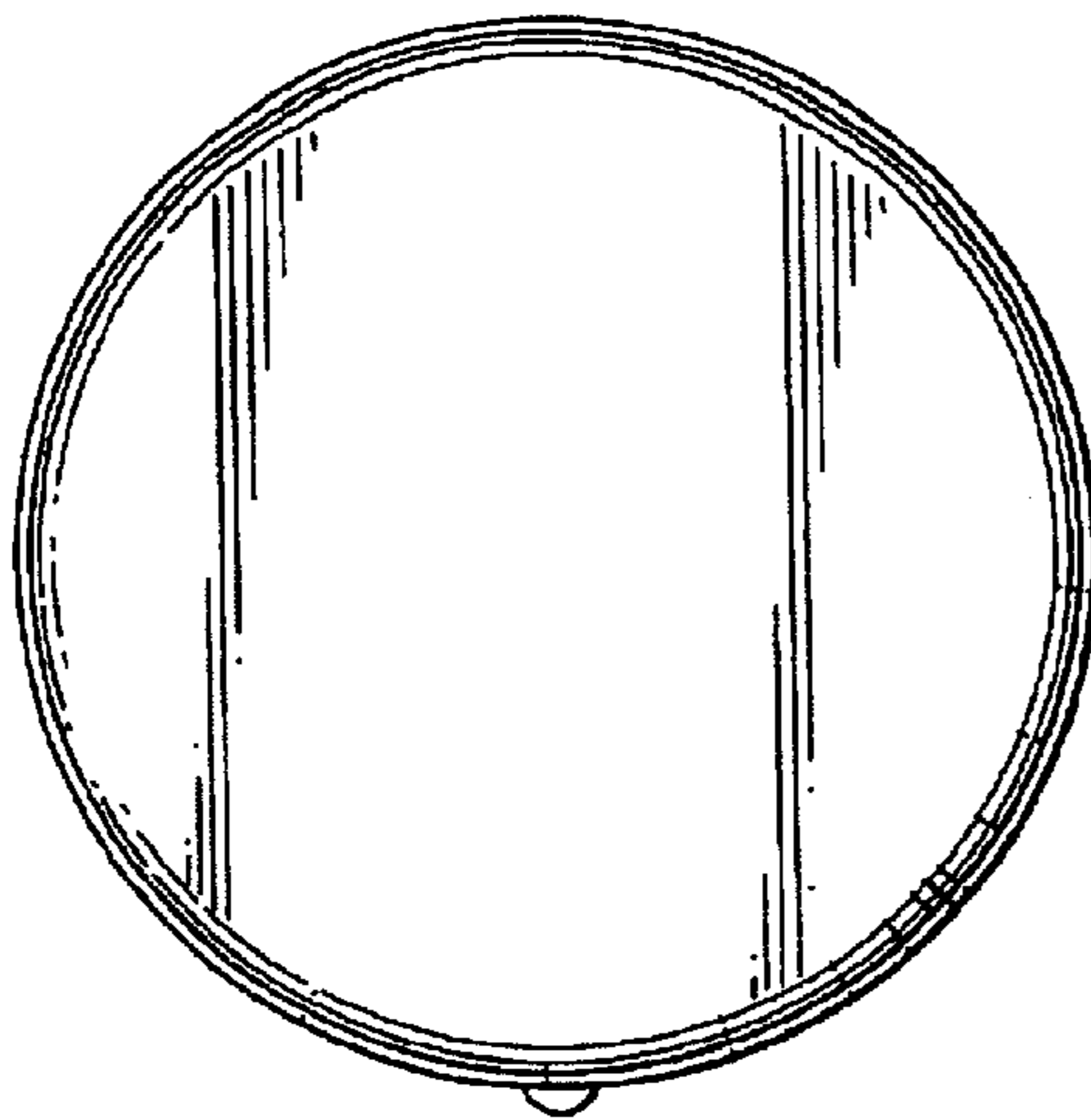


FIG. 6

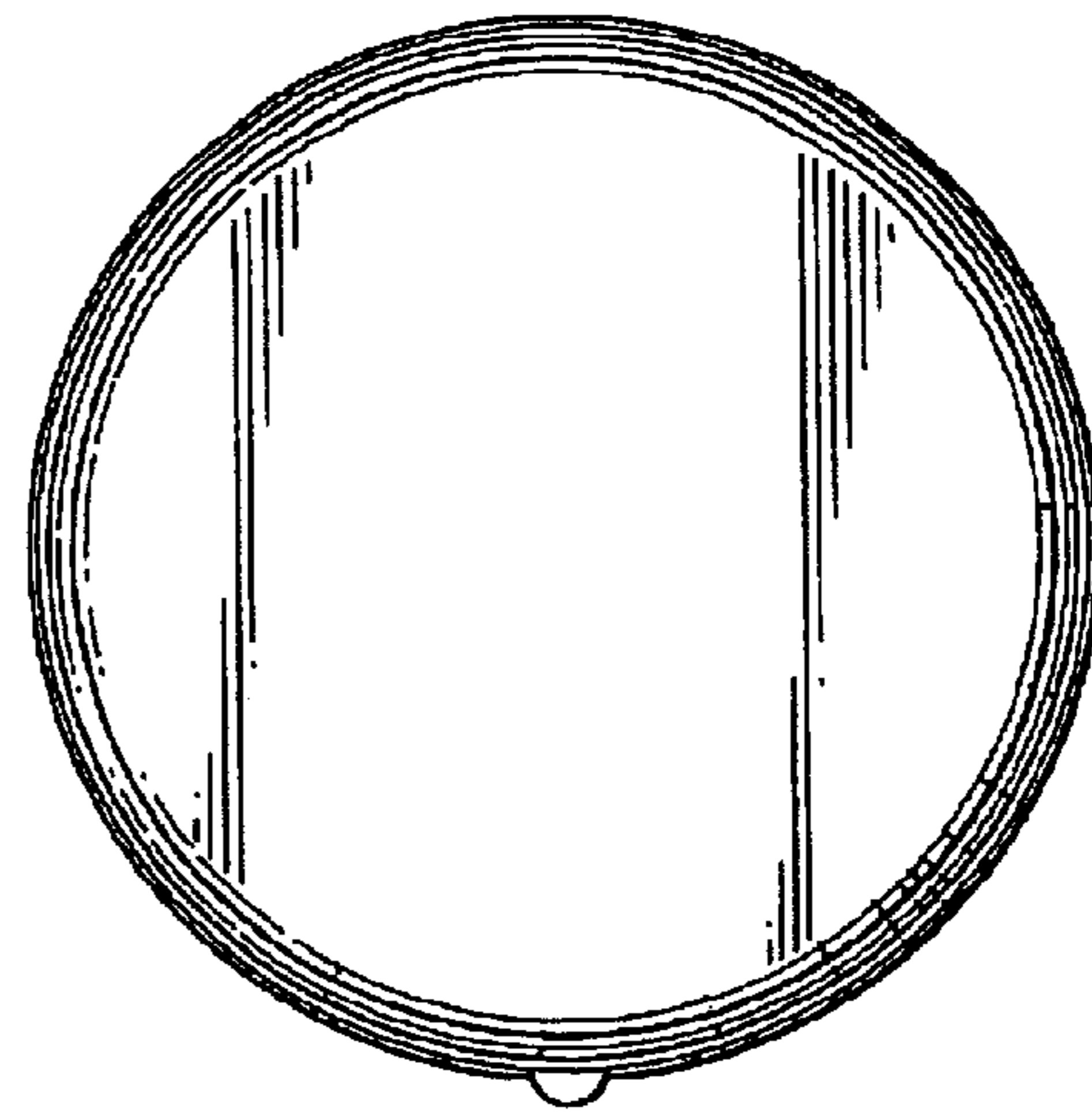


FIG. 7

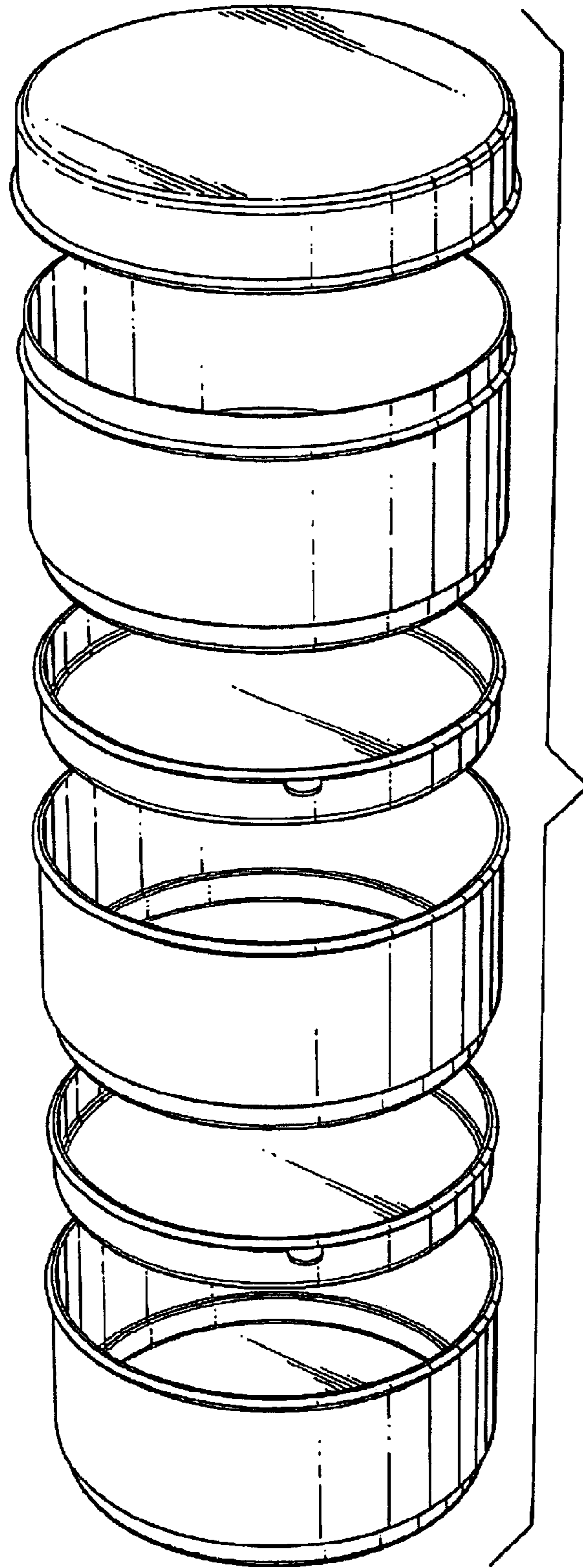


FIG. 8