



US00D518331S

(12) **United States Design Patent** (10) **Patent No.:** **US D518,331 S**
Rae (45) **Date of Patent:** **** Apr. 4, 2006**

(54) **COOKWARE HANDLE**
(75) Inventor: **Robert Rae**, Danville, CA (US)
(73) Assignee: **Meyer Intellectual Properties Limited**,
Hong Kong (CN)
(**) Term: **14 Years**
(21) Appl. No.: **29/194,206**
(22) Filed: **Nov. 19, 2003**
(51) **LOC (8) Cl.** **07-02**
(52) **U.S. Cl.** **D7/395**
(58) **Field of Classification Search** D7/395,
D7/401.2, 393, 354-361; 59/25; 220/753,
220/752, 757, 759, 771, 769, 912; D13/101;
D8/107; 16/110.1, 430, 431, 436
See application file for complete search history.

D407,600 S 4/1999 LoGiudice
D417,121 S 11/1999 Brunianyn
6,032,822 A 3/2000 Munari
D429,950 S * 8/2000 Yu et al. D7/395
D440,463 S 4/2001 Groll
D442,025 S 5/2001 Rae
D444,347 S * 7/2001 LoGiudice D7/395
D446,079 S 8/2001 Rae
D447,383 S 9/2001 Rae
D450,217 S 11/2001 Rae
D458,801 S * 6/2002 Coudurier D7/395
6,419,107 B1 7/2002 Cheng
D468,683 S * 1/2003 Maurer D13/101
D477,967 S 8/2003 Burton et al.
D482,562 S 11/2003 Demers
D482,567 S 11/2003 Demers
D482,568 S 11/2003 Demers et al.
D485,120 S 1/2004 Kight
D494,007 S 8/2004 Rae
D501,357 S * 2/2005 Rae D7/395

* cited by examiner

Primary Examiner—Holly Baynham
Assistant Examiner—Cynthia M. Chin

(56) **References Cited**
U.S. PATENT DOCUMENTS

200,033 A 2/1878 Edger et al.
217,938 A 7/1879 Graves
225,927 A 3/1880 Green
512,848 A * 1/1894 Waligorski 59/25
979,847 A * 12/1910 Hammond 220/753
1,625,731 A 4/1927 Lee
2,077,273 A * 4/1937 Serio D7/395
2,235,792 A * 3/1941 Bauman D7/395
D140,046 S 1/1945 Behl
D143,028 S 11/1945 Reynolds
2,478,784 A * 8/1949 Serio D7/395
4,042,238 A 8/1977 Theriault
4,413,767 A 11/1983 Hellinger
D277,254 S 1/1985 Matsuhisa
D287,216 S * 12/1986 Usbeck D7/395
D291,222 S 8/1987 Kiraly
D306,679 S 3/1990 Schultz
D366,184 S * 1/1996 Koch D7/395
5,702,313 A 12/1997 Stennett
D392,151 S 3/1998 Munari

(57) **CLAIM**

The ornamental design for a cookware handle, as shown and described.

DESCRIPTION

FIG. 1 is a right side elevational view of a cookware handle showing my new design;
FIG. 2 is a top plan view of the cookware handle of FIG. 1;
FIG. 3 is a bottom plan view of the cookware handle of FIG. 1; and,
FIG. 4 is a bottom left perspective view of the cookware handle of FIG. 1.
The broken line showings in FIGS. 1-4 are for illustrative purposes only, depicting the environment of the new design, forming no part thereof as claimed.

1 Claim, 4 Drawing Sheets

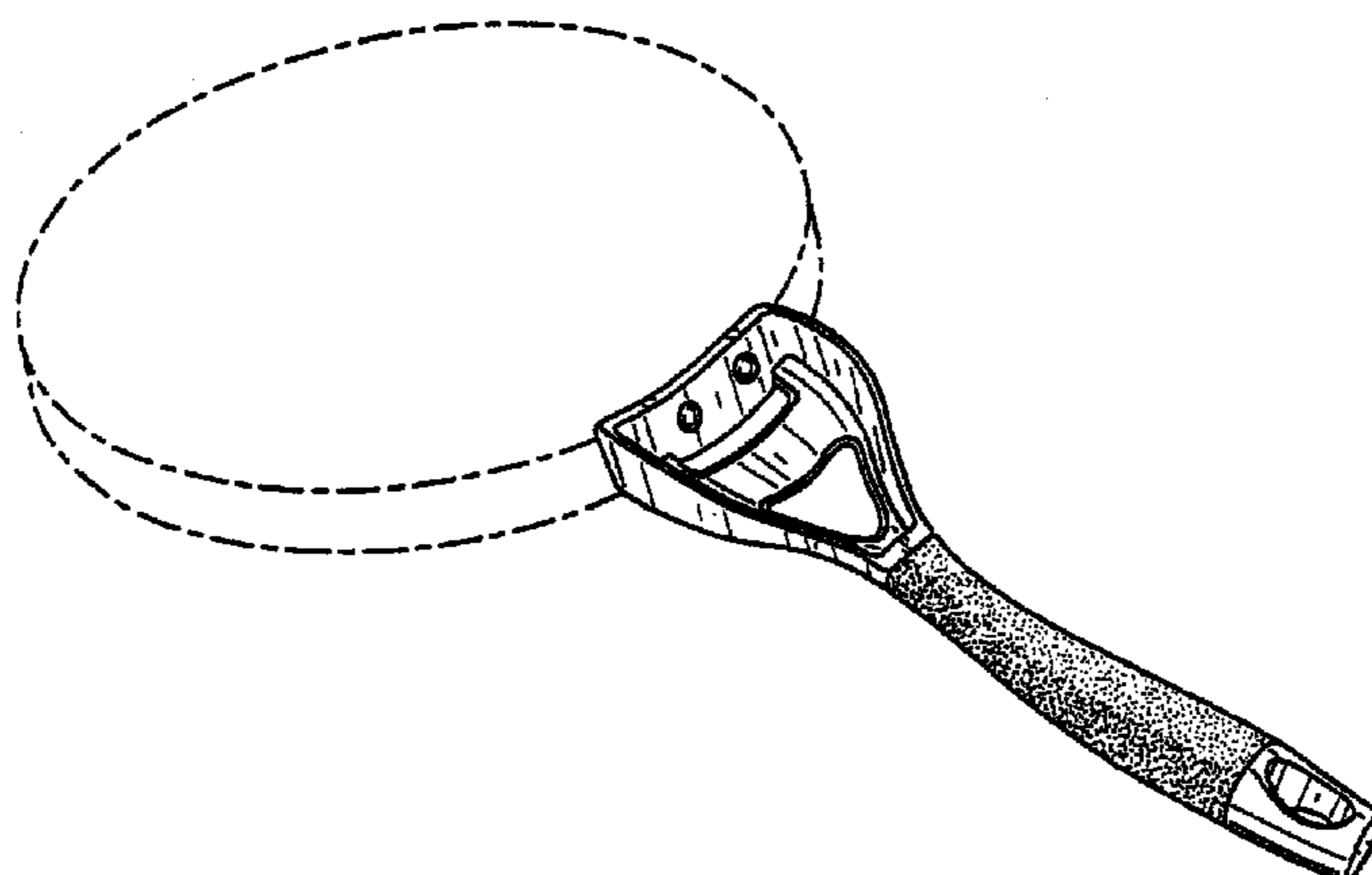




FIG. 1

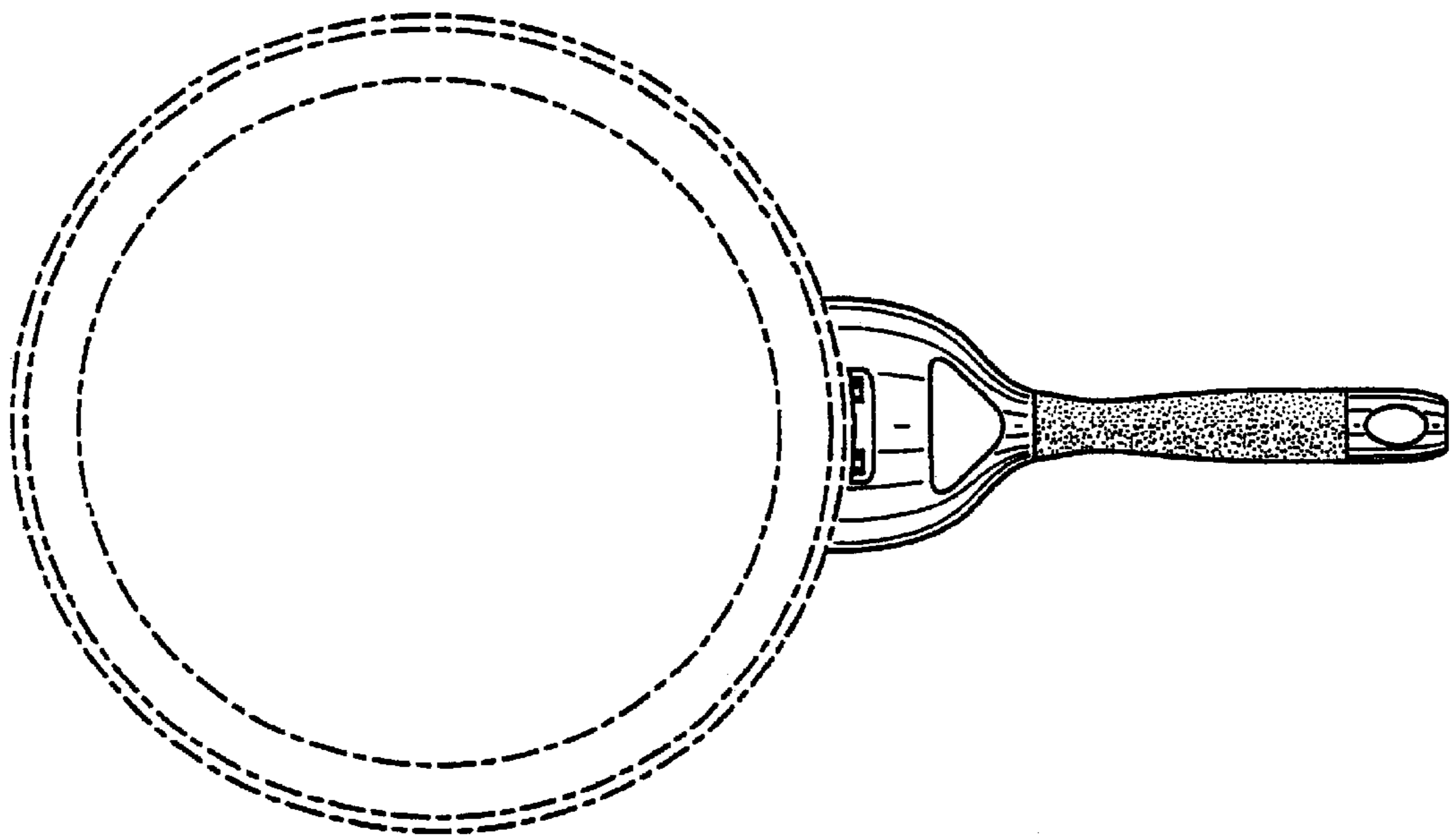


FIG. 2

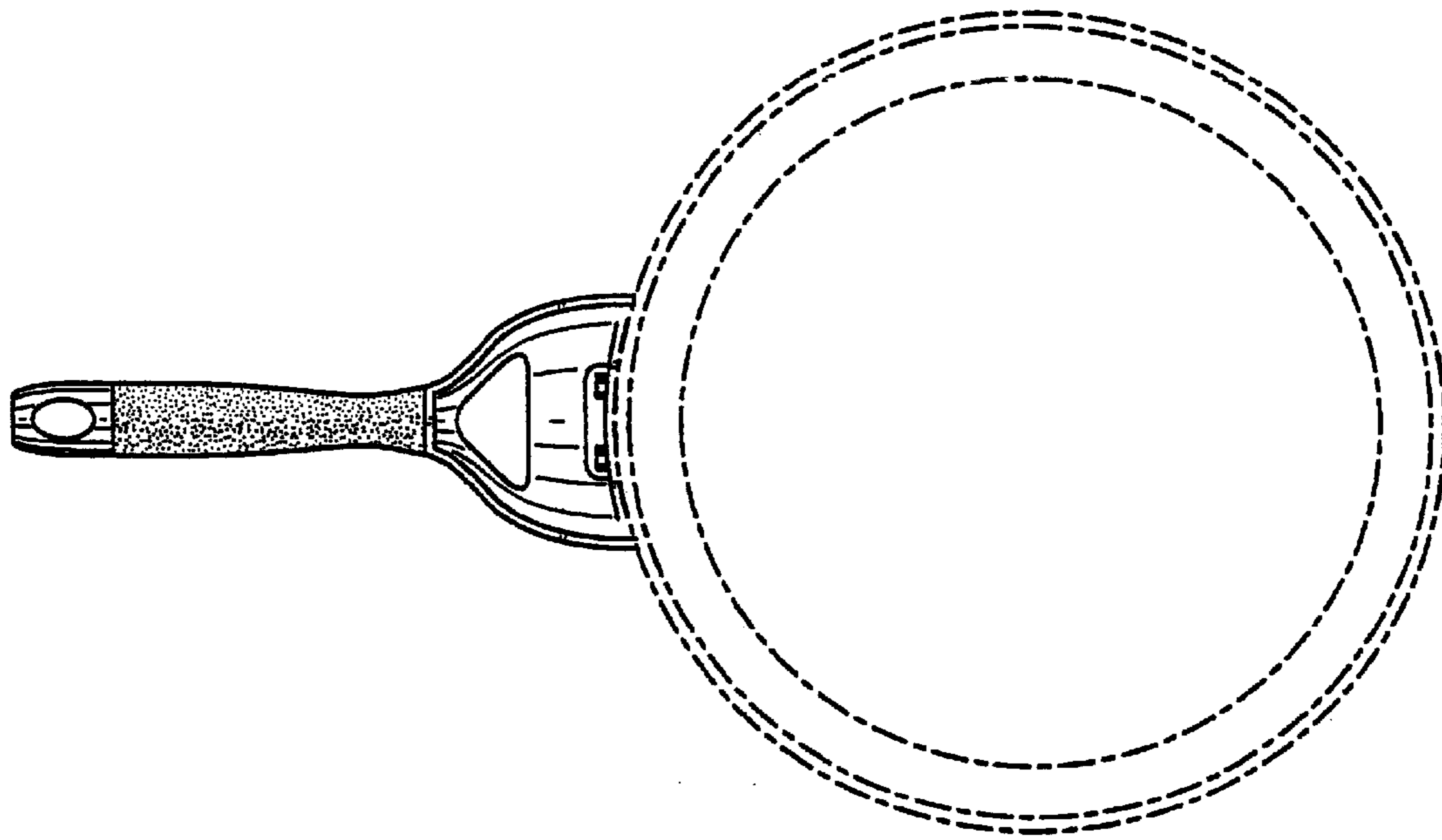


FIG. 3

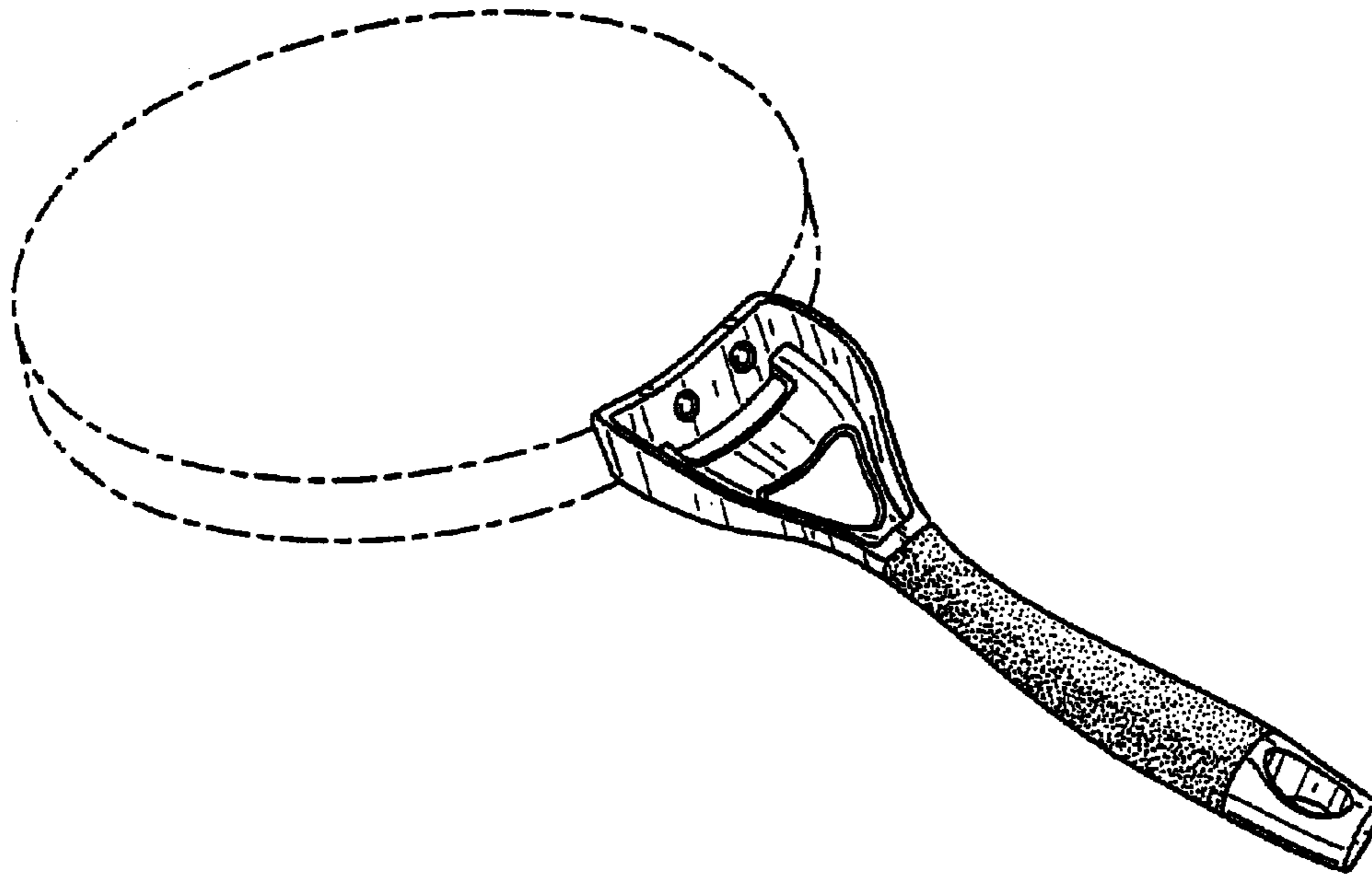


FIG. 4