



US00D518329S

(12) **United States Design Patent**  
**Zhang**

(10) **Patent No.:** **US D518,329 S**

(45) **Date of Patent:** **\*\* Apr. 4, 2006**

(54) **BARBEQUE GRILL COOKING APPARATUS**

(76) Inventor: **S. R. Zhang**, Block 6, Lakepoint Drive,  
No. 03-38, Singapore 648925 (SG)

(\*\*) Term: **14 Years**

(21) Appl. No.: **29/208,576**

(22) Filed: **Jun. 28, 2004**

(51) **LOC (8) Cl.** ..... **07-02**

(52) **U.S. Cl.** ..... **D7/337**

(58) **Field of Classification Search** ..... D7/332,  
D7/334-337, 402-405, 393-395; 126/25 R,  
126/25 A, 25 AA, 41 R, 9 R, 38, 39 H, 39 BA;  
99/401, 425, 446-447, 450, 481; 219/450.1,  
219/452.12, 533; D8/315-320; D9/506, 518,  
D9/428

See application file for complete search history.

(56) **References Cited**

**U.S. PATENT DOCUMENTS**

D284,929 S	*	8/1986	Schlosser et al.	.....	D7/332
D376,510 S	*	12/1996	Ting	.....	D7/332
D395,785 S	*	7/1998	Lin	.....	D7/332
D420,546 S	*	2/2000	Pai	.....	D7/332

D427,840 S	*	7/2000	Pai	.....	D7/332
D459,629 S	*	7/2002	Pai	.....	D7/332
D463,707 S	*	10/2002	Bossler	.....	D7/332
D467,765 S	*	12/2002	Yeh et al.	.....	D7/337
D471,056 S	*	3/2003	Pai	.....	D7/334
D471,754 S	*	3/2003	Pai	.....	D7/332
D497,766 S	*	11/2004	Zhang	.....	D7/332

\* cited by examiner

*Primary Examiner*—Ruth McInroy

(74) *Attorney, Agent, or Firm*—Leonard Tachner

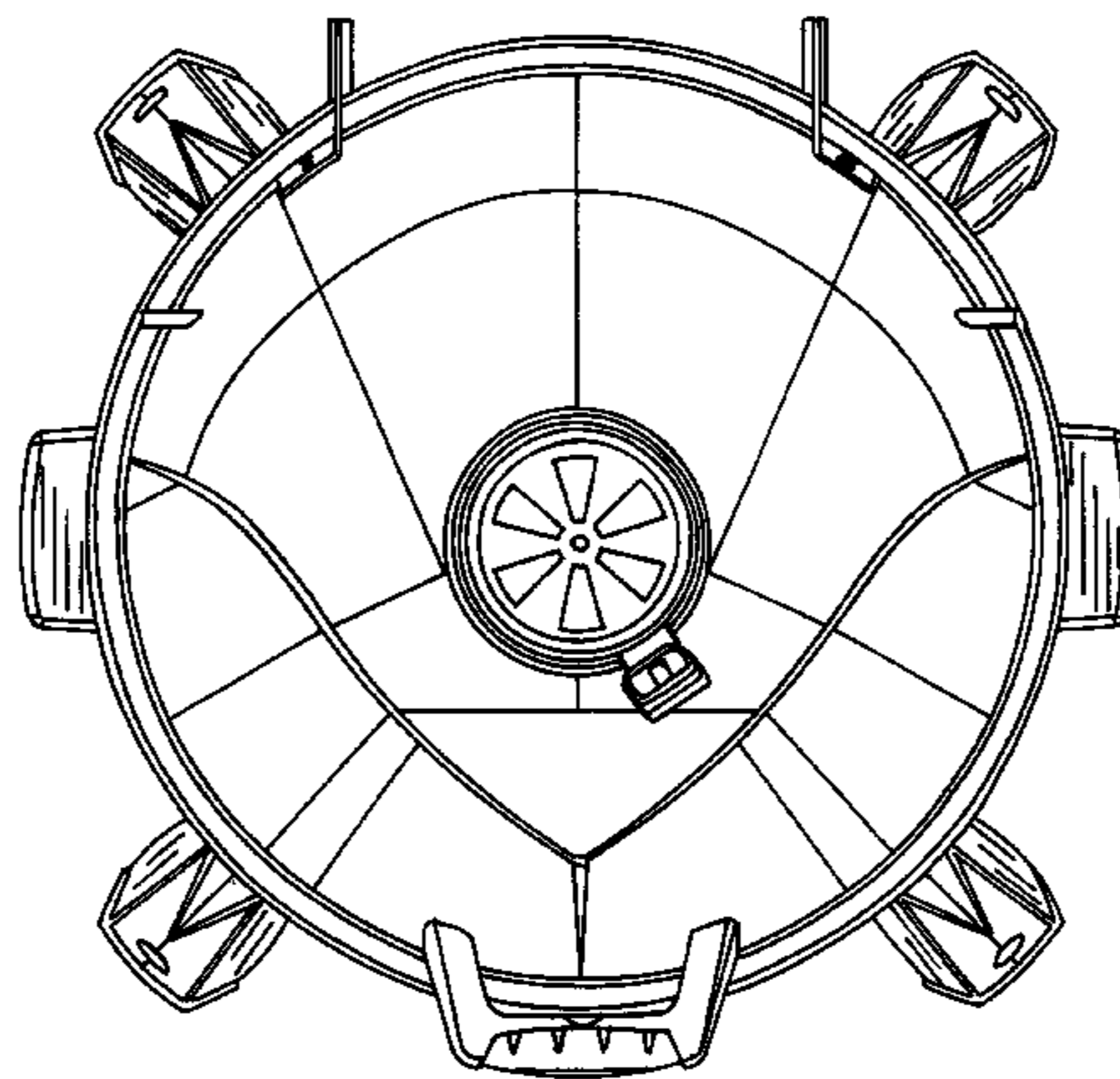
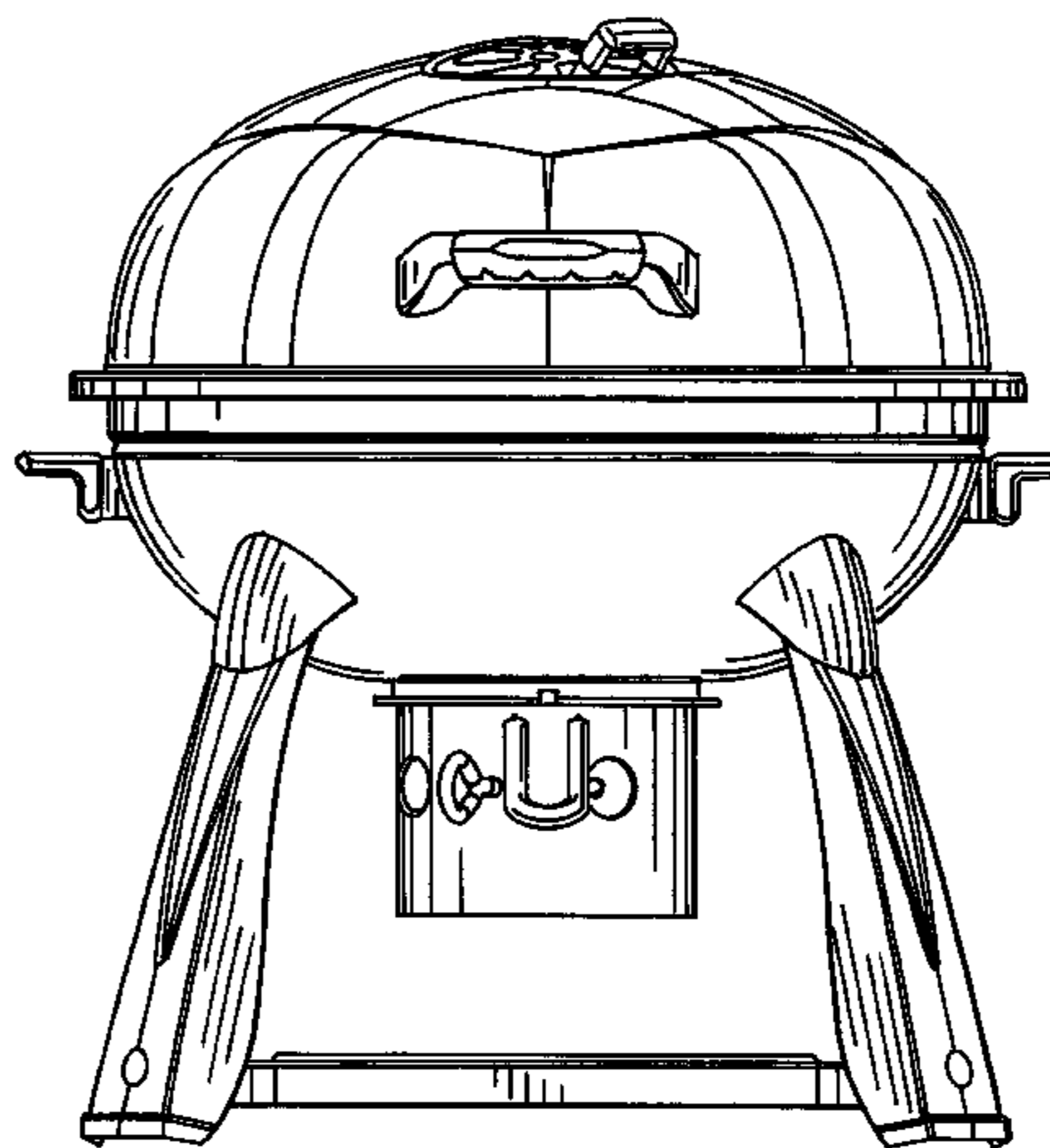
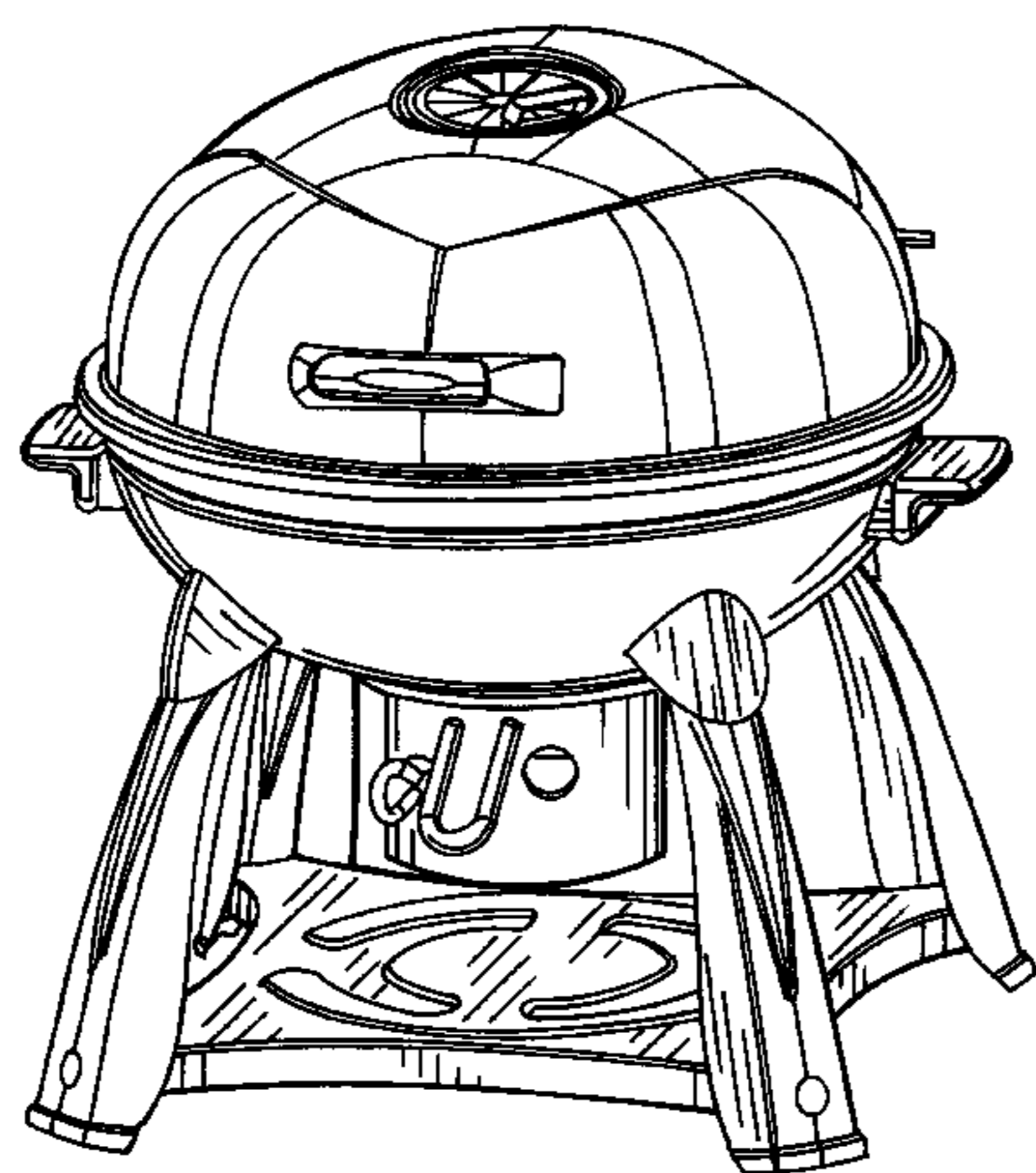
(57) **CLAIM**

The ornamental design for a barbeque grill cooking apparatus, as shown and described.

**DESCRIPTION**

FIG. 1 is a perspective view of a barbeque grill cooking apparatus showing my new design;  
FIG. 2 is a front view thereof;  
FIG. 3 is a rear view thereof;  
FIG. 4 is a left side view thereof;  
FIG. 5 is a right side view thereof;  
FIG. 6 is a top view thereof; and,  
FIG. 7 is a bottom view thereof.

**1 Claim, 7 Drawing Sheets**



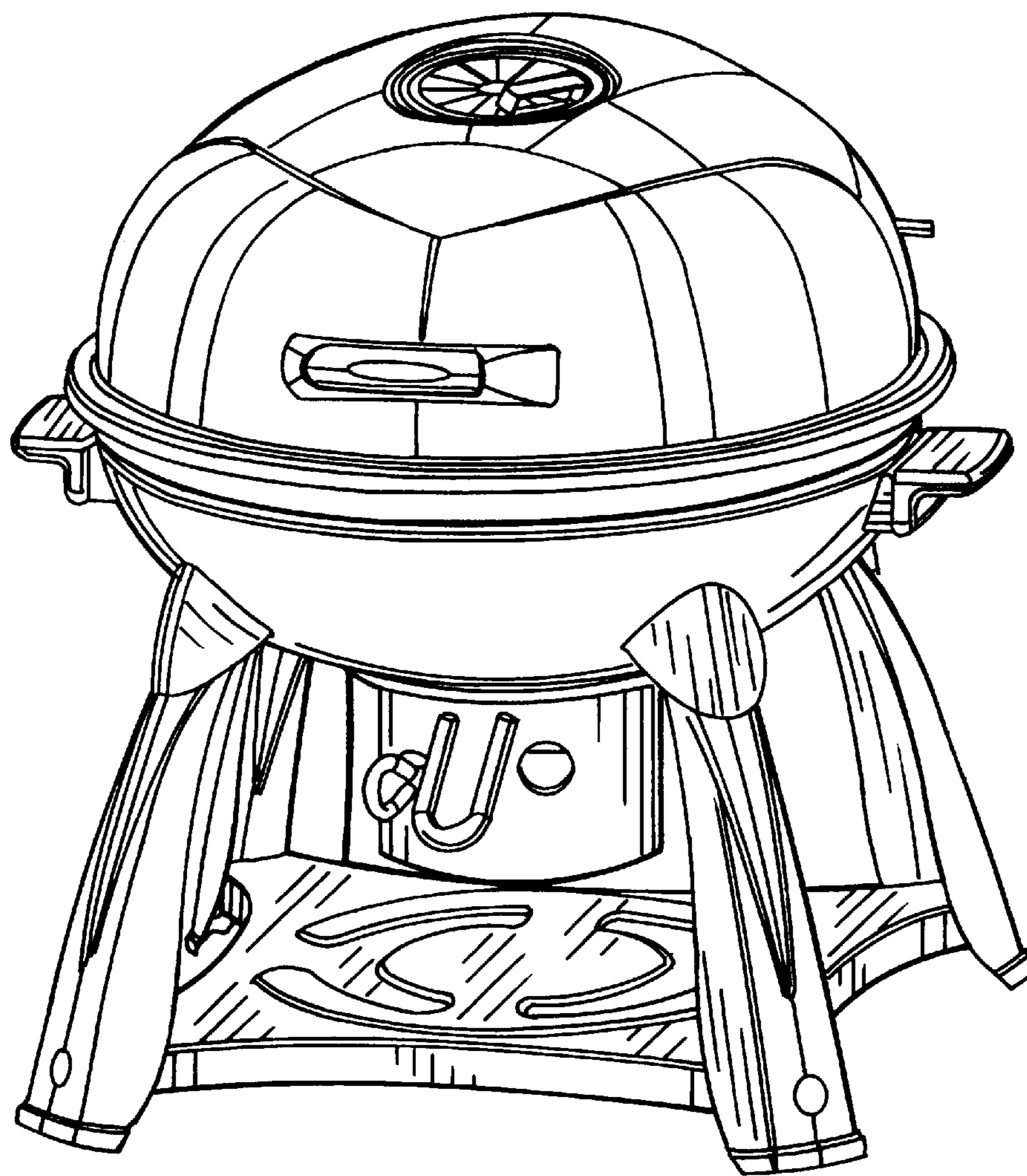


FIG. 1

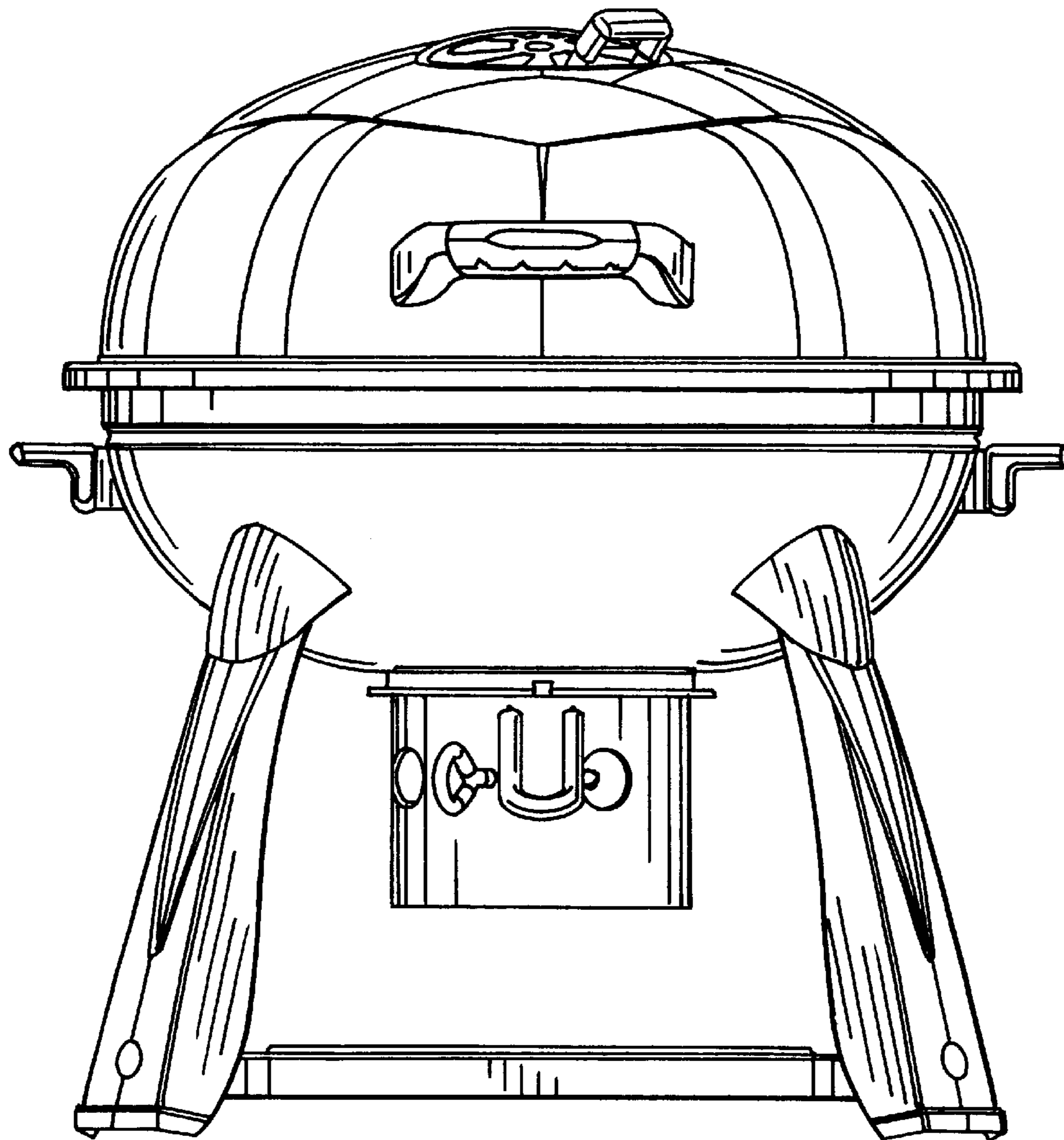


FIG. 2

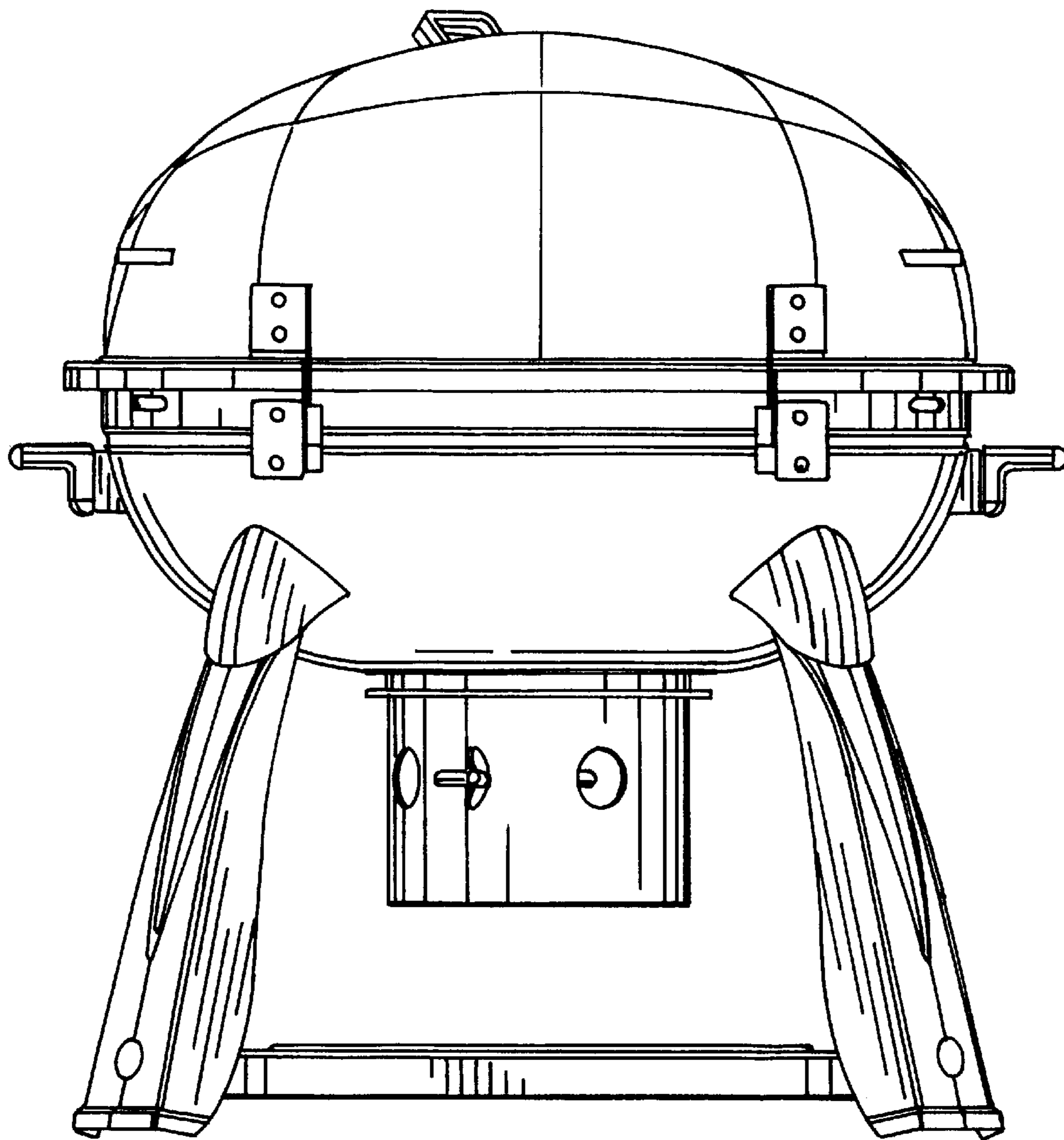


FIG. 3

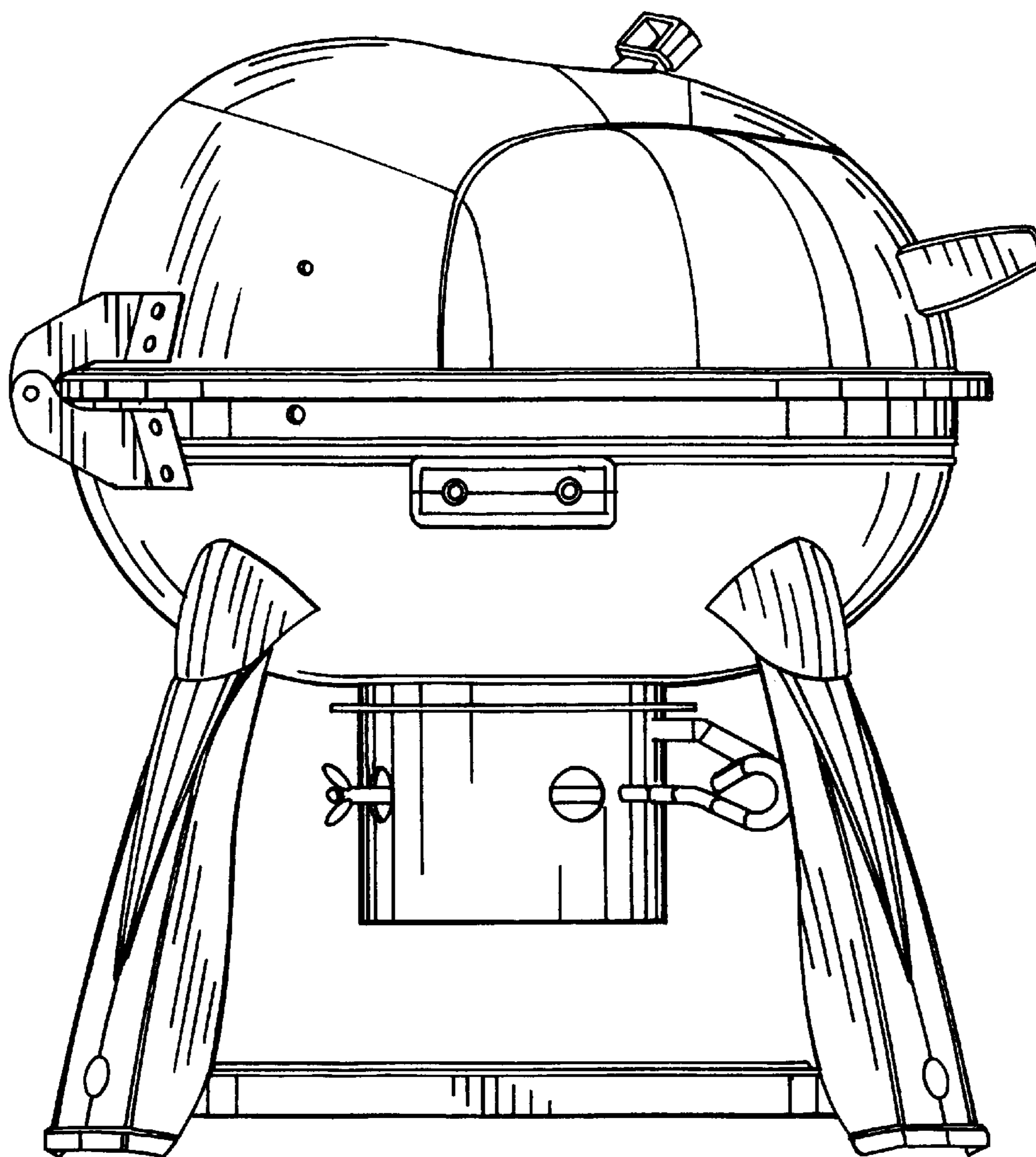


FIG. 4

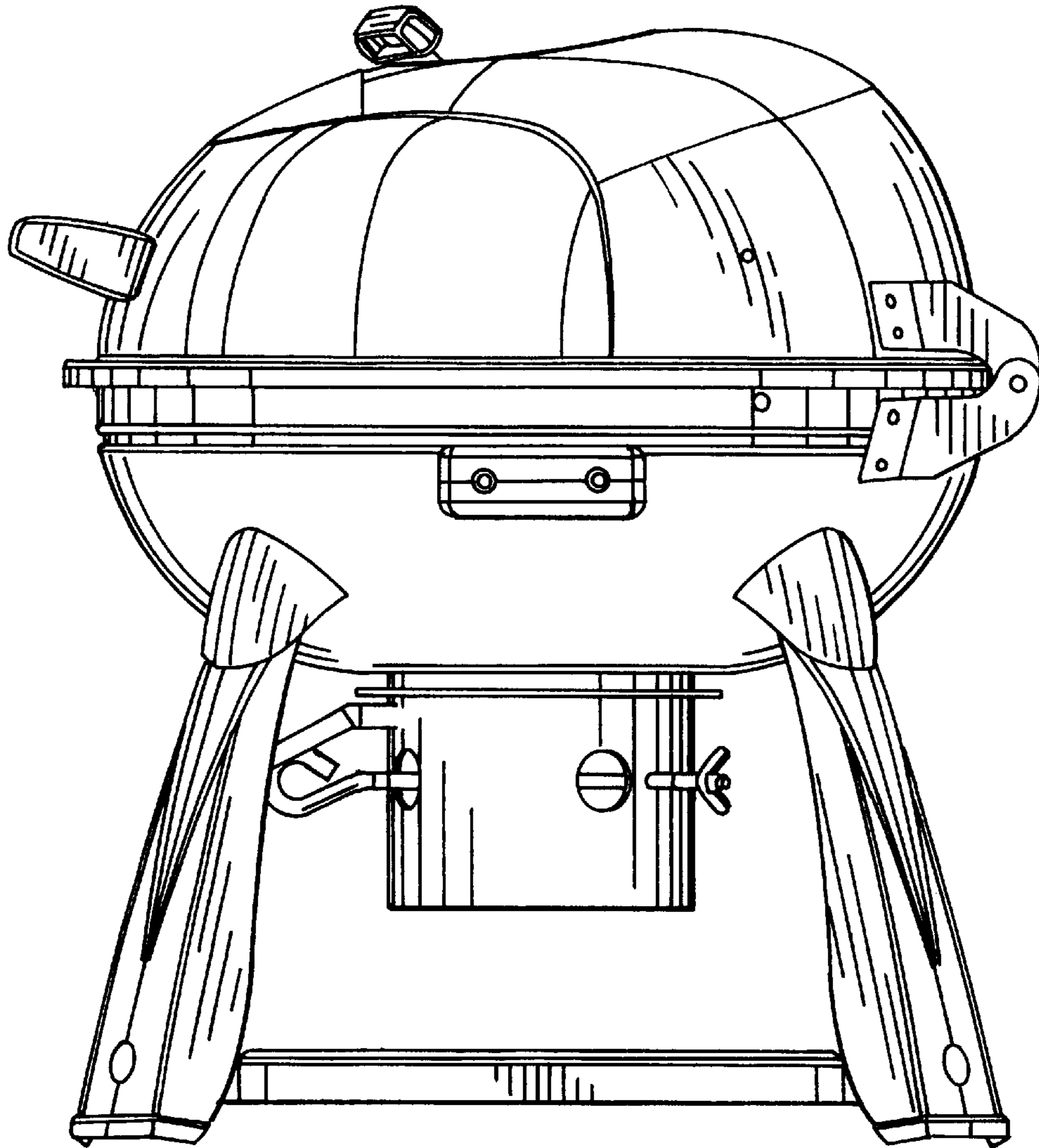


FIG. 5

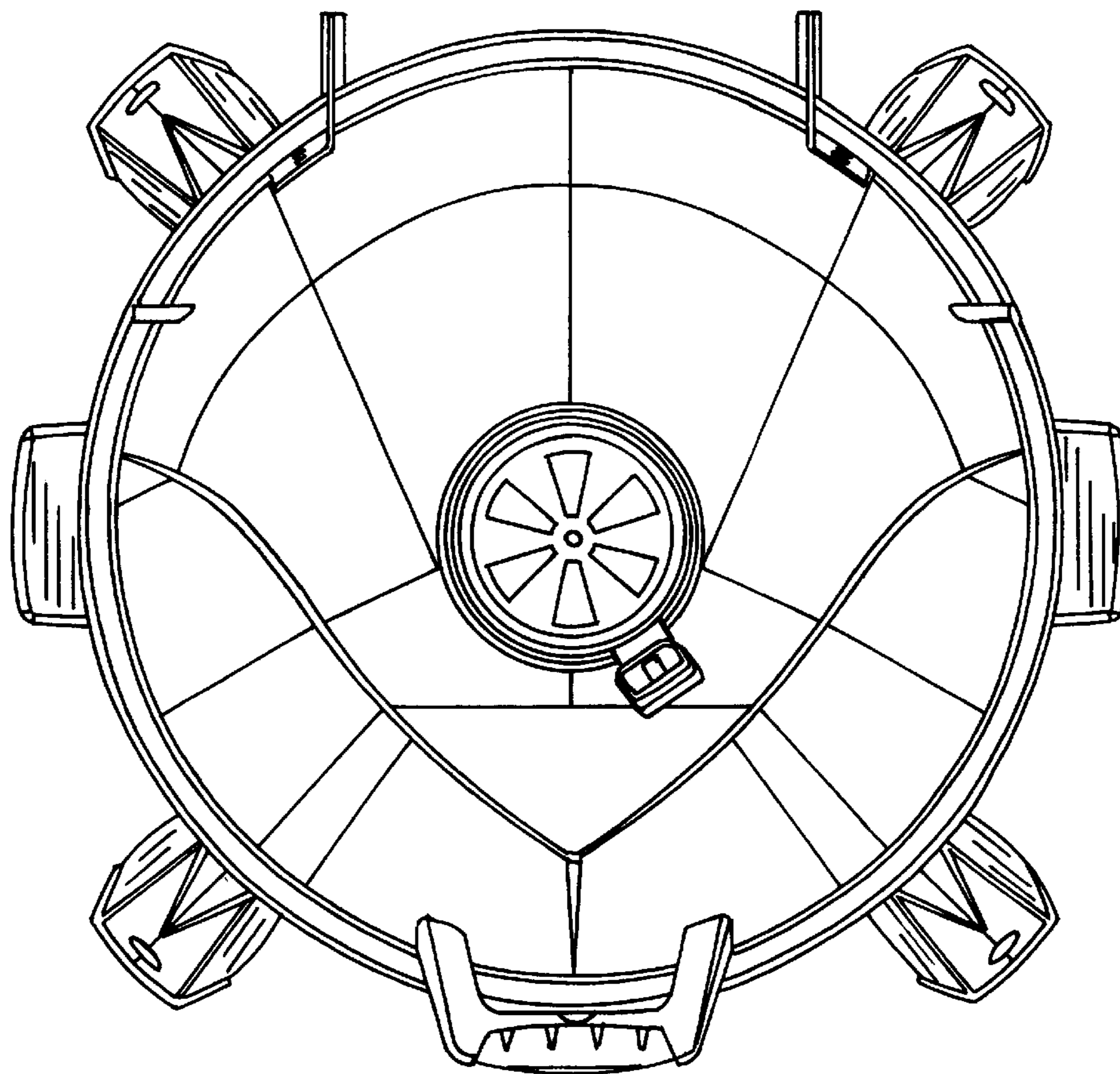


FIG. 6

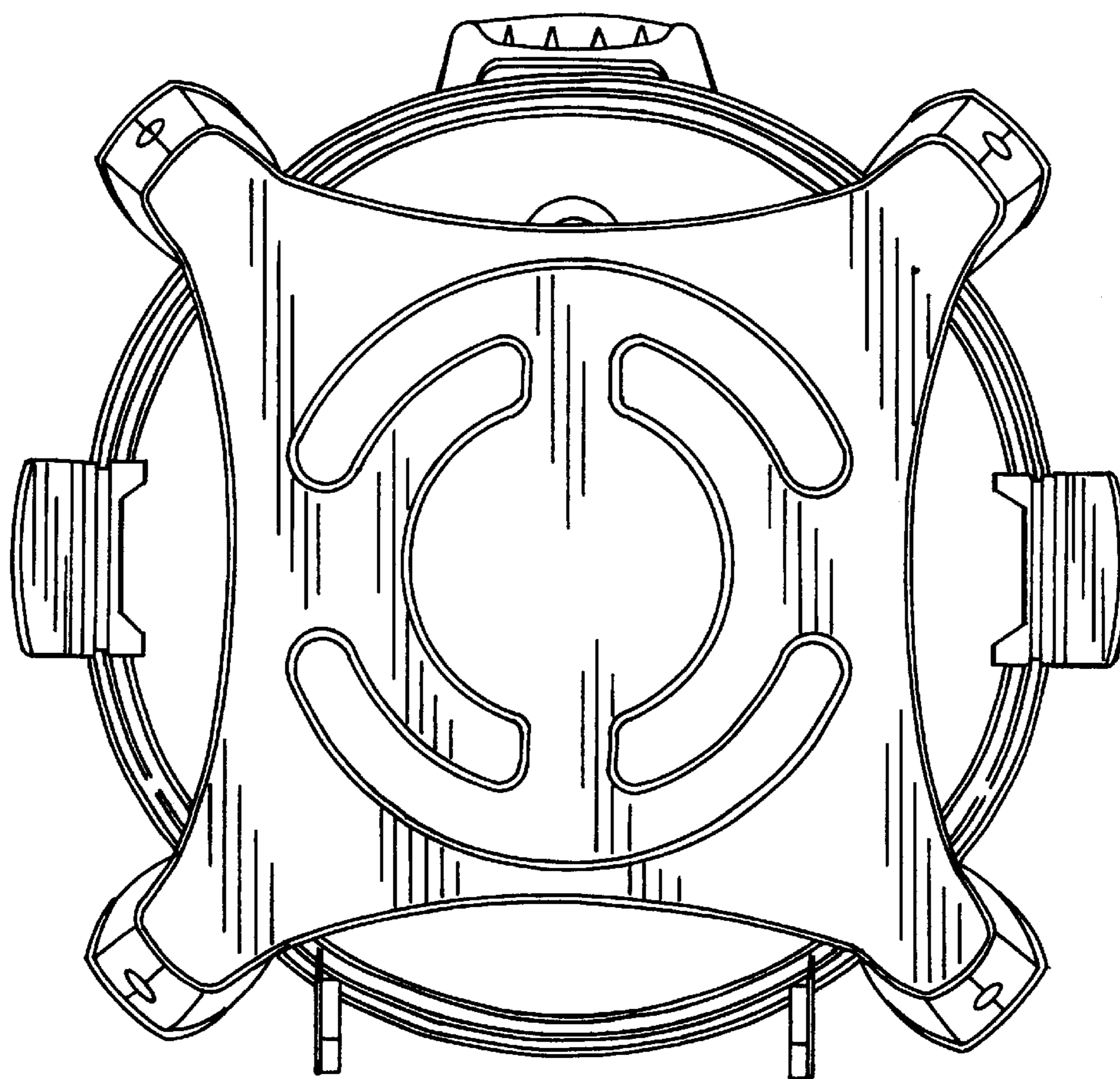


FIG. 7