



US00D518326S

(12) **United States Design Patent**
Allsopp

(10) **Patent No.:** **US D518,326 S**

(45) **Date of Patent:** **** Apr. 4, 2006**

(54) **CONTROL END FOR A BLIND**

FOREIGN PATENT DOCUMENTS

(75) Inventor: **Reginald Charles Allsopp**, Cheshire (GB)

EP	0 717 166	6/1996
EP	0 940 553	9/1999
GB	2 313 143	5/1997
GB	D2104201	10/2001
GB	D2106405	1/2002
GB	D3006555	9/2002

(73) Assignee: **Louver-Lite Limited**, Cheshire (GB)

(**) Term: **14 Years**

* cited by examiner

(21) Appl. No.: **29/189,933**

Primary Examiner—Holly Baynham

(22) Filed: **Sep. 12, 2003**

(74) *Attorney, Agent, or Firm*—Haugen Law Firm LLP

(30) **Foreign Application Priority Data**

Aug. 27, 2003 (EM) 71055

(57) **CLAIM**

(51) **LOC (8) Cl.** **06-10**

The ornamental design for a control end for a blind, as shown and described.

(52) **U.S. Cl.** **D6/580**

(58) **Field of Classification Search** D6/580;

160/177 R, 323.1, 307, 321, 126

See application file for complete search history.

DESCRIPTION

FIG. 1 is a perspective view from above, in front, and one side of the control end for a blind of the present design;

FIG. 2 is a perspective view from above, the rear, and one side of the present design; and,

FIG. 3 is an exploded view of components from the rear and one side of the present design.

(56) **References Cited**

U.S. PATENT DOCUMENTS

5,482,105	A *	1/1996	Rude	160/307
5,507,374	A *	4/1996	Rude	192/223.4
6,173,825	B1	1/2001	Liu		

1 Claim, 2 Drawing Sheets

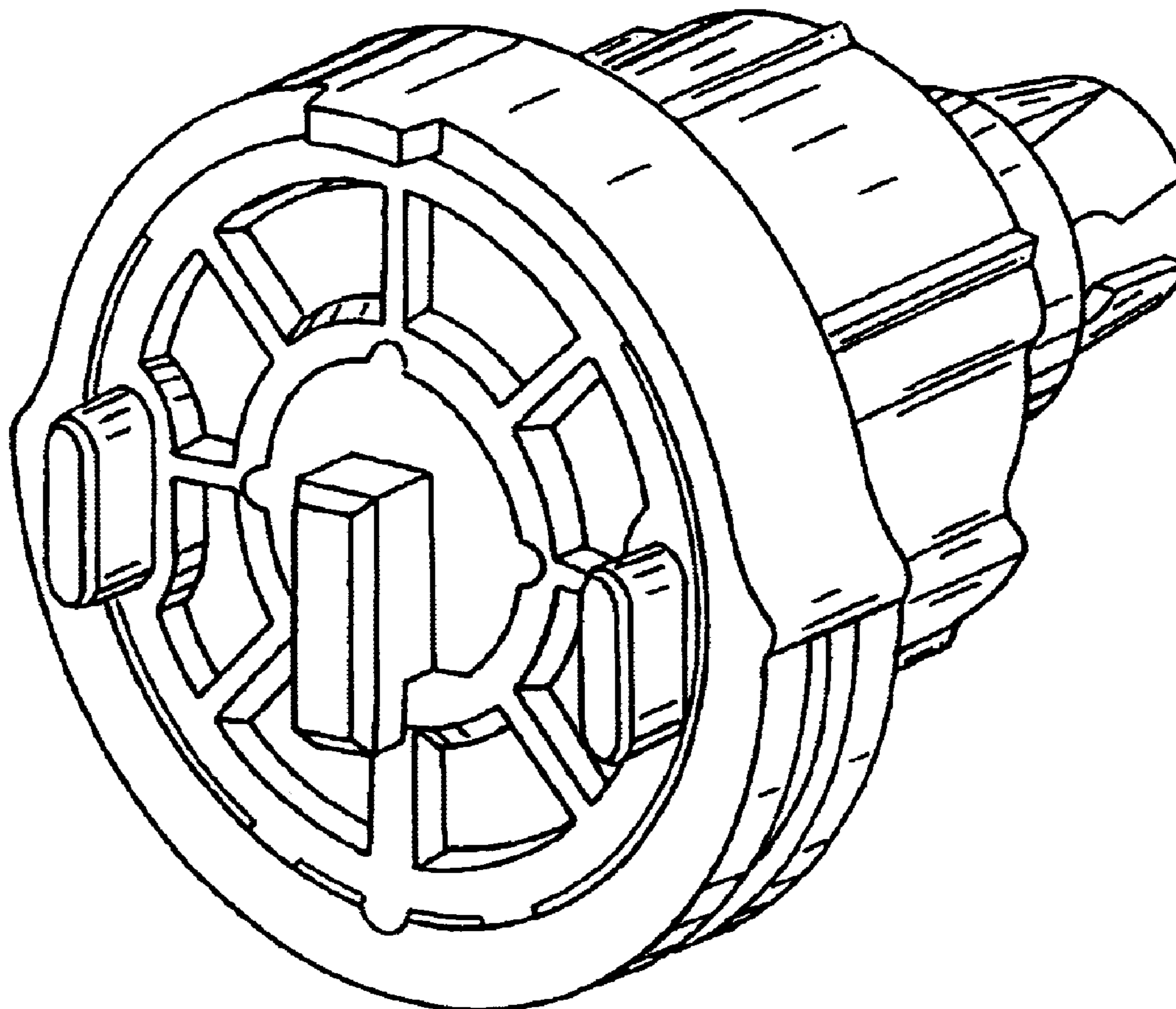


Fig.-1

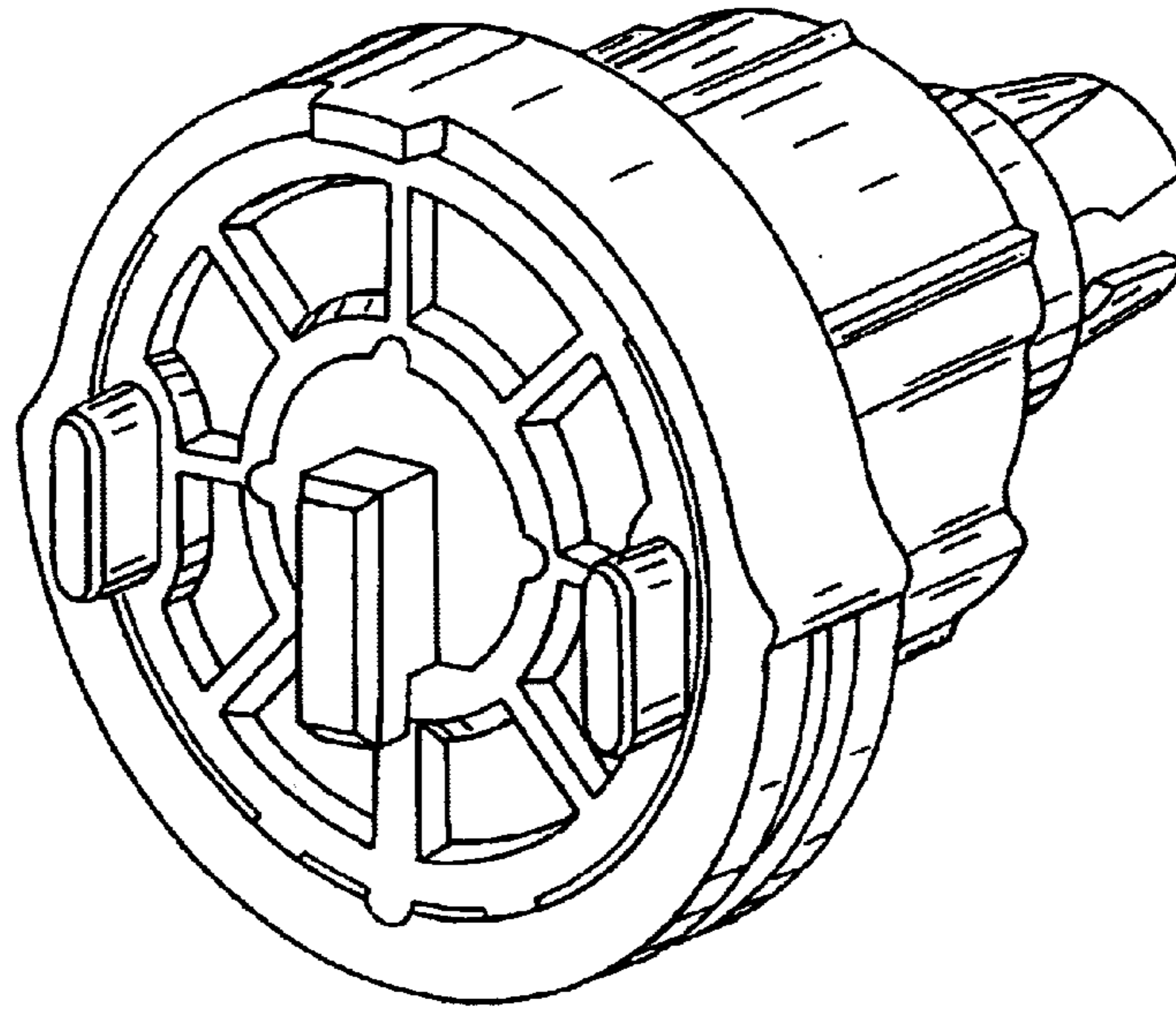
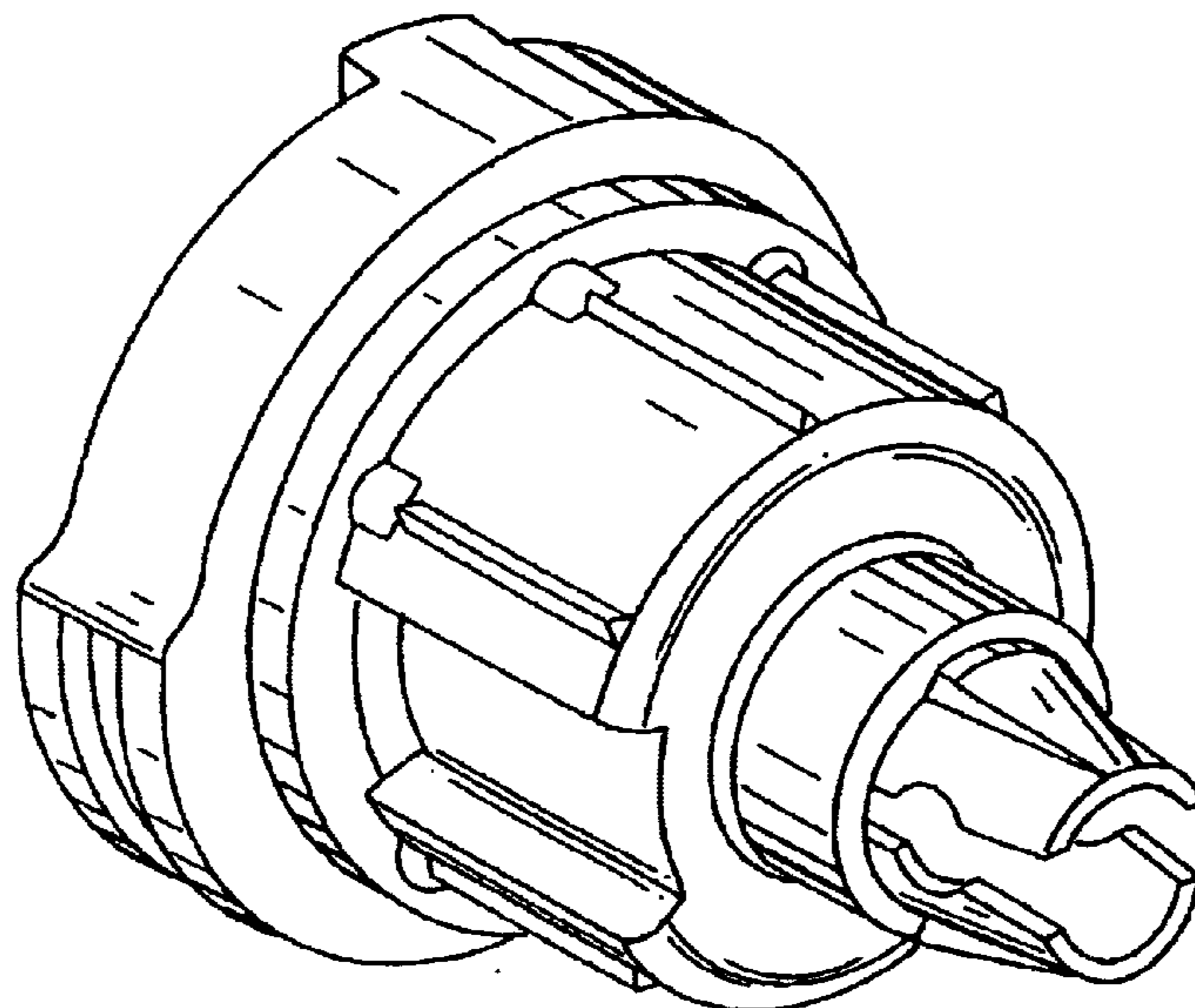


Fig.-2



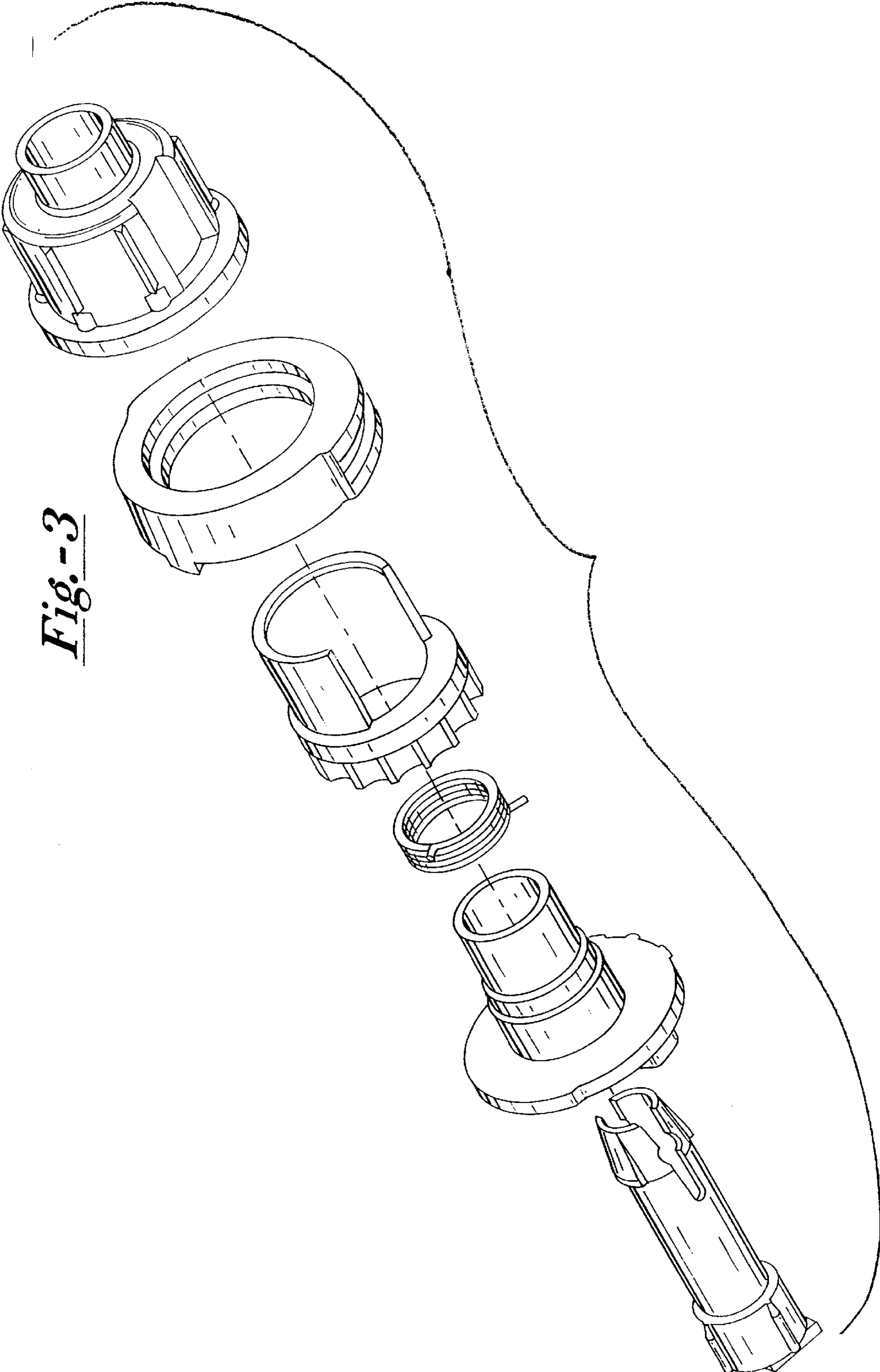


Fig.-3