



US00D518325S

(12) **United States Design Patent**
Gilbert

(10) **Patent No.:** **US D518,325 S**

(45) **Date of Patent:** **** Apr. 4, 2006**

(54) **ACCESSORY POST**

(75) **Inventor:** **Christopher Jon Gilbert**, Moreland Hills, OH (US)

(73) **Assignee:** **Moen Incorporated**, North Olmsted, OH (US)

(**) **Term:** **14 Years**

(21) **Appl. No.:** **29/218,248**

(22) **Filed:** **Nov. 30, 2004**

(51) **LOC (8) Cl.** **06-04**

(52) **U.S. Cl.** **D6/550**

(58) **Field of Classification Search** D6/546-550,
D6/518-523; D8/300, 303, 315-321, 349,
D8/354, 363, 373, 380; 108/28-29; 248/175,
248/176.1, 251, 302, 309.1; 16/110.1, 412,
16/415; 242/570, 590, 595-598; 211/13.1,
211/16, 60.1, 100, 86.01, 87.01, 88.01, 88.04,
211/105.1-105.2, 123, 182, 181.1

See application file for complete search history.

(56) **References Cited**

U.S. PATENT DOCUMENTS

D318,590 S	7/1991	McKeone	
D328,215 S	7/1992	McKeone	
D417,995 S	* 12/1999	Chen	D6/550
D439,087 S	3/2001	Fuchs	
D449,949 S	* 11/2001	Hsieh	D6/524
D452,400 S	12/2001	Chen	
D454,744 S	3/2002	Ou-Young	
D455,592 S	4/2002	Ou-Young	
D466,348 S	* 12/2002	Yen	D6/550

D466,349 S	12/2002	Tai	
D466,703 S	12/2002	Chou	
D466,737 S	12/2002	Tai	
D466,745 S	* 12/2002	Chou	D6/550
D466,746 S	12/2002	Chen	
D469,644 S	* 2/2003	Yen	D6/550
D477,486 S	* 7/2003	Green	D6/550
D504,042 S	* 4/2005	Wu	D6/550

* cited by examiner

Primary Examiner—Brian N Vinson

(74) *Attorney, Agent, or Firm*—Calfee, Halter & Griswold LLP

(57) **CLAIM**

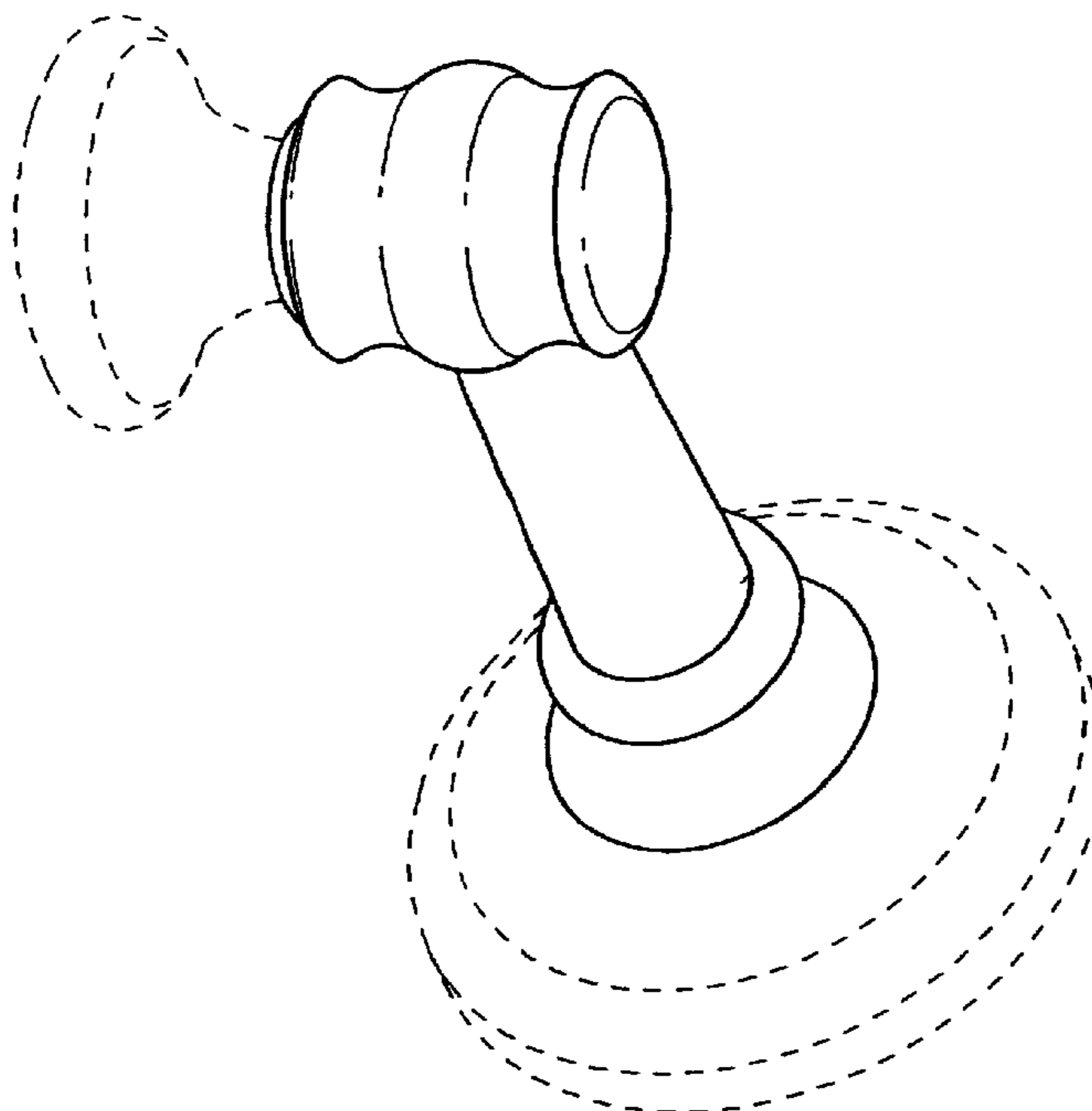
The ornamental design for an accessory post, as shown and described.

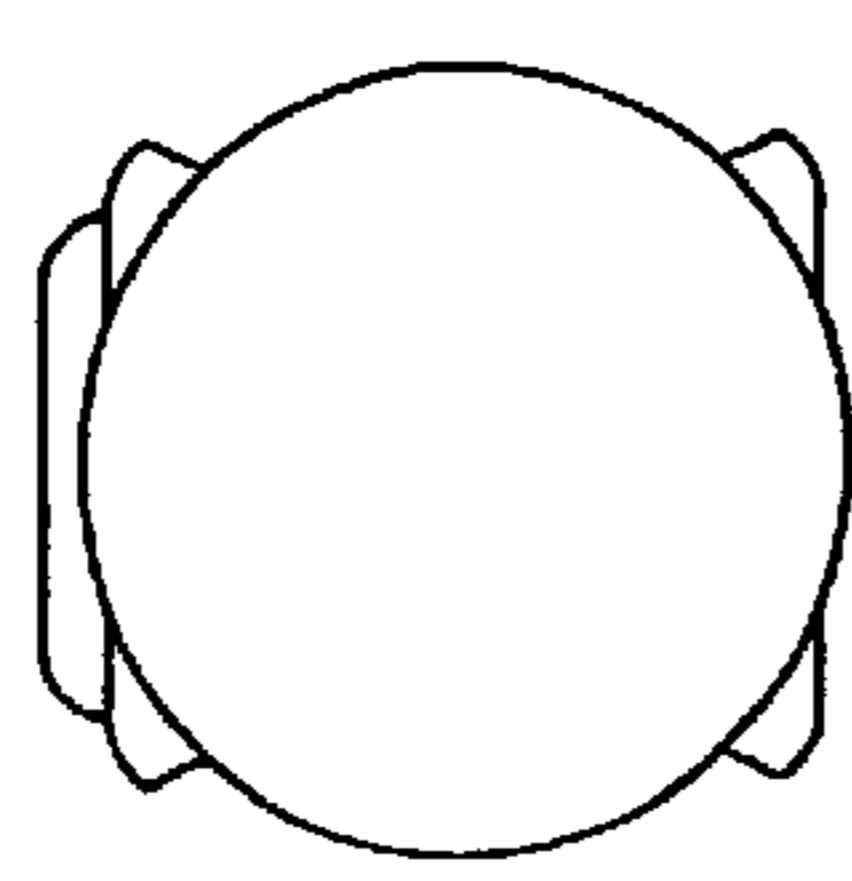
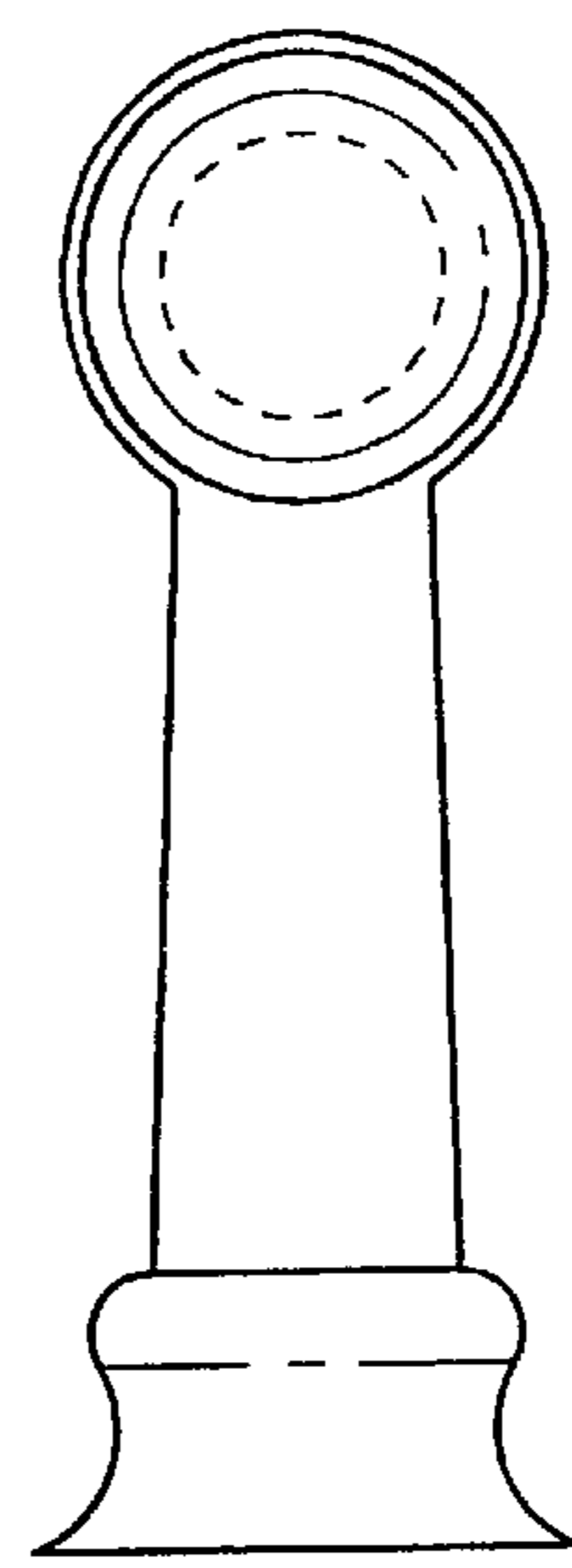
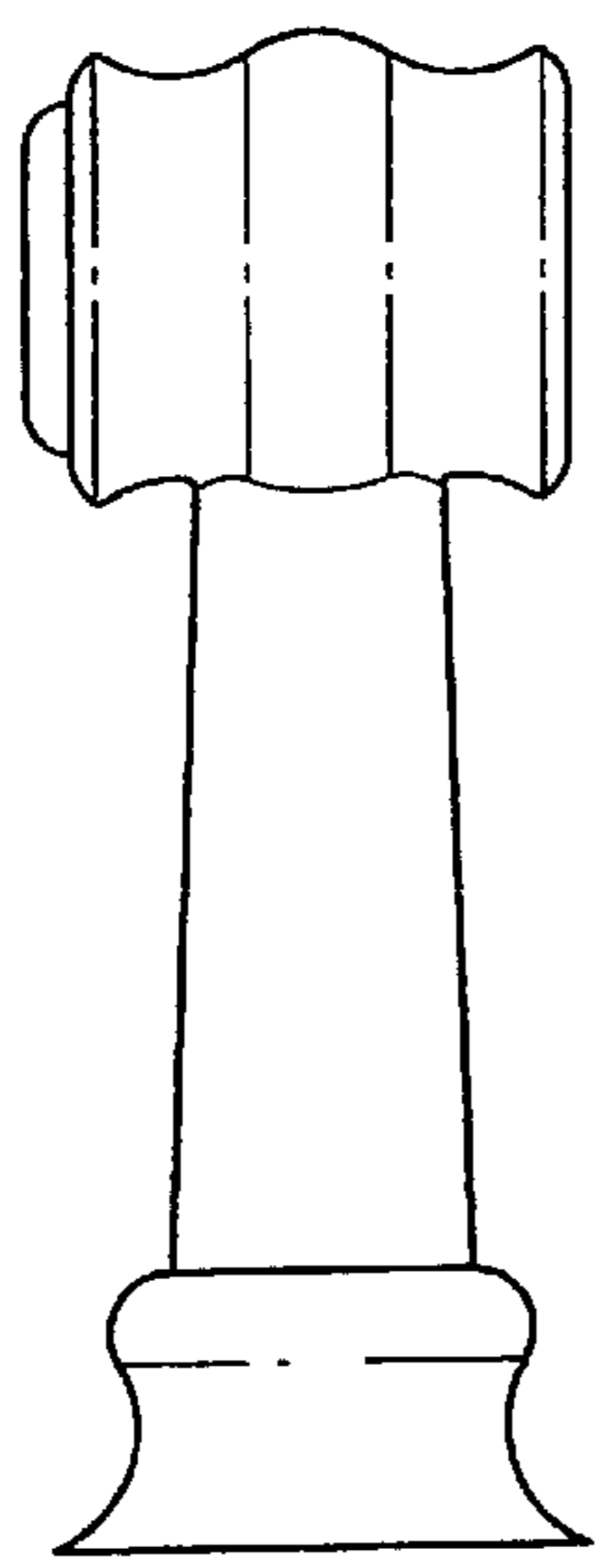
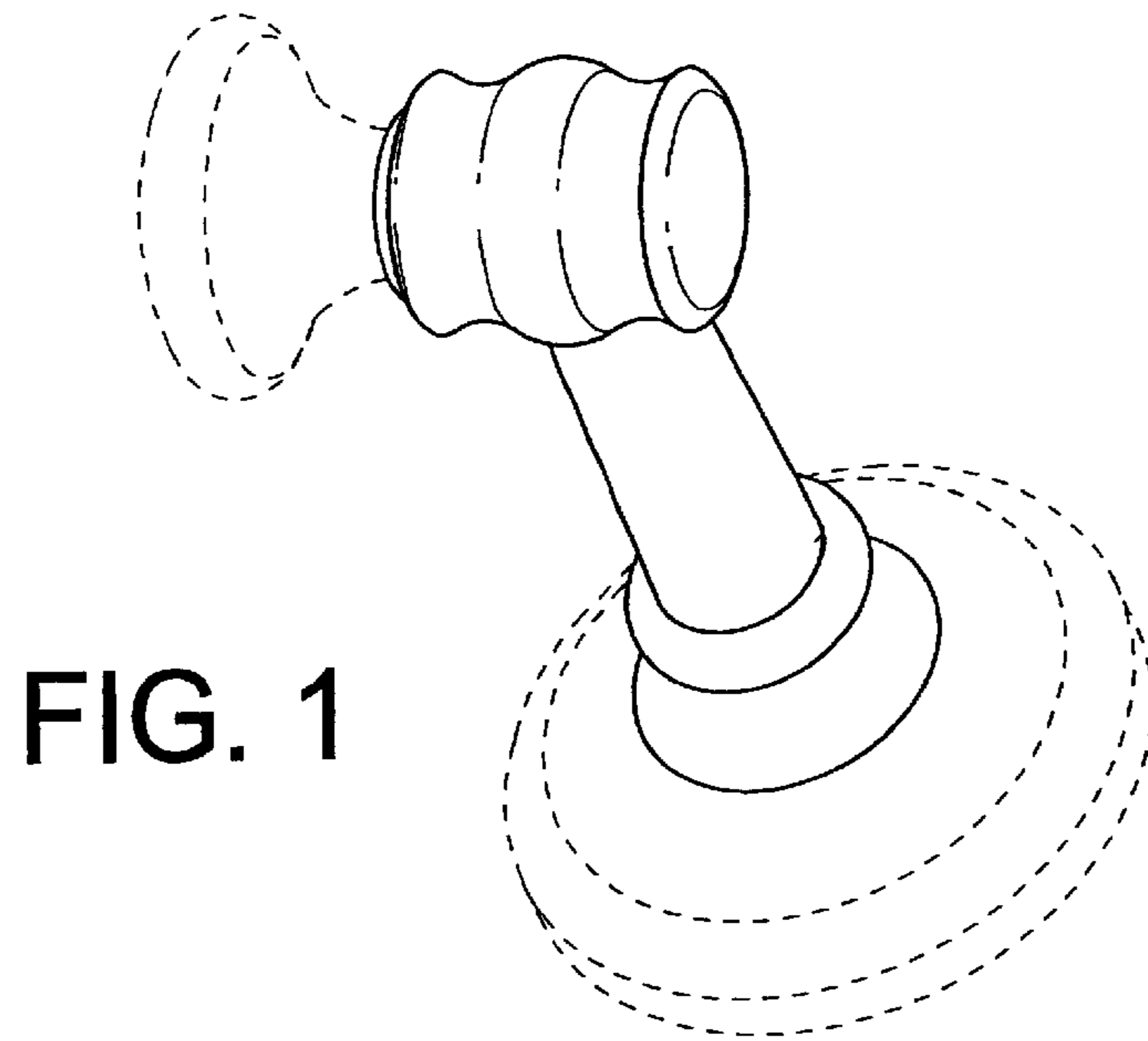
DESCRIPTION

FIG. 1 is a perspective view of an accessory post of the new design;
FIG. 2 is a top plan view of the accessory post of FIG. 1;
FIG. 3 is a left side elevational view of the accessory post of FIG. 1;
FIG. 4 is a rear elevational view of the accessory post of FIG. 1;
FIG. 5 is a front elevational view of the accessory post of FIG. 1;
FIG. 6 is a bottom plan view of the accessory post of FIG. 1; and,
FIG. 7 is a right side elevational view of the accessory post of FIG. 1.

The portions of the Figures shown in broken lines are not part of the claimed design but are for illustration only.

1 Claim, 2 Drawing Sheets





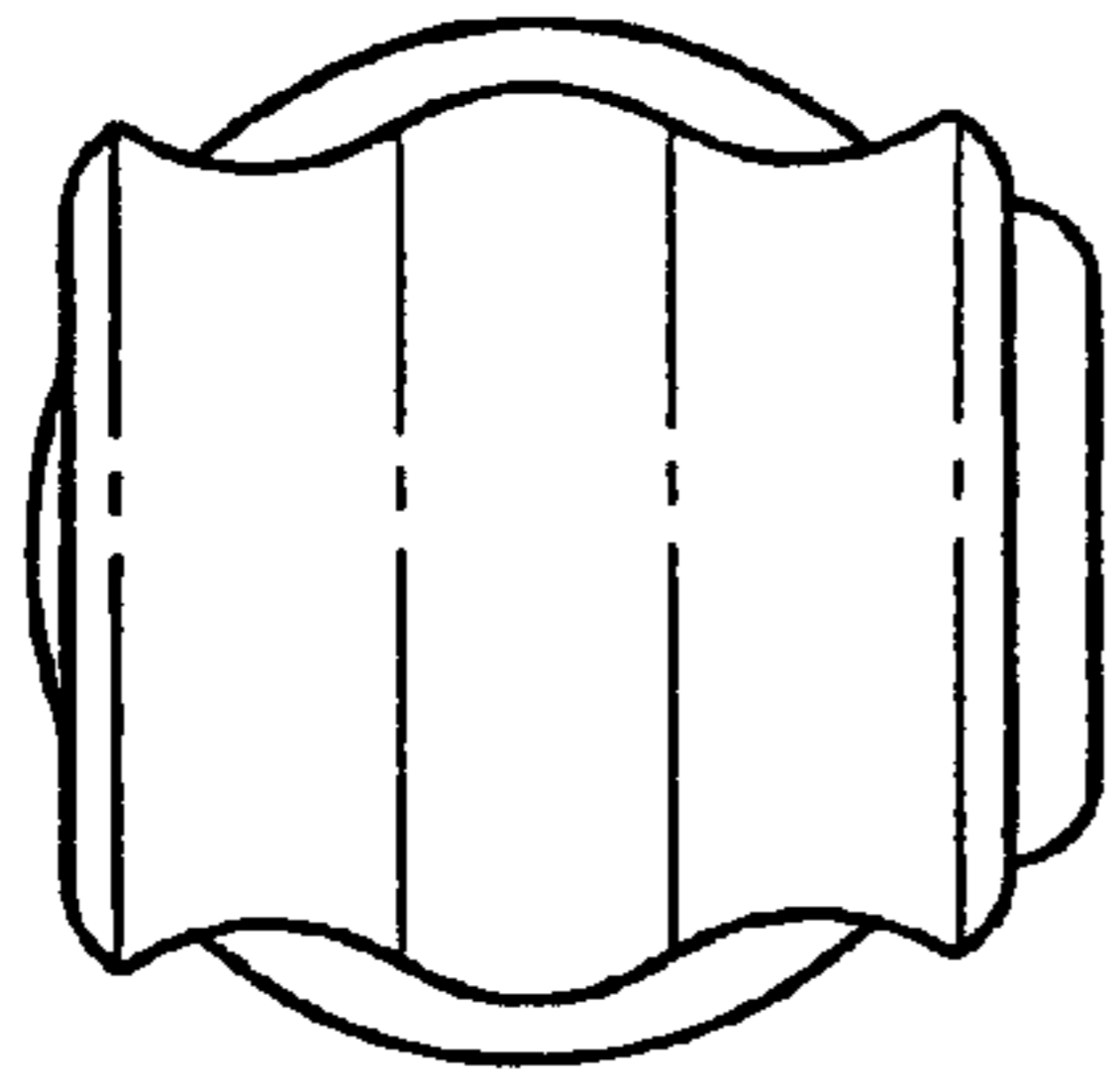


FIG. 5

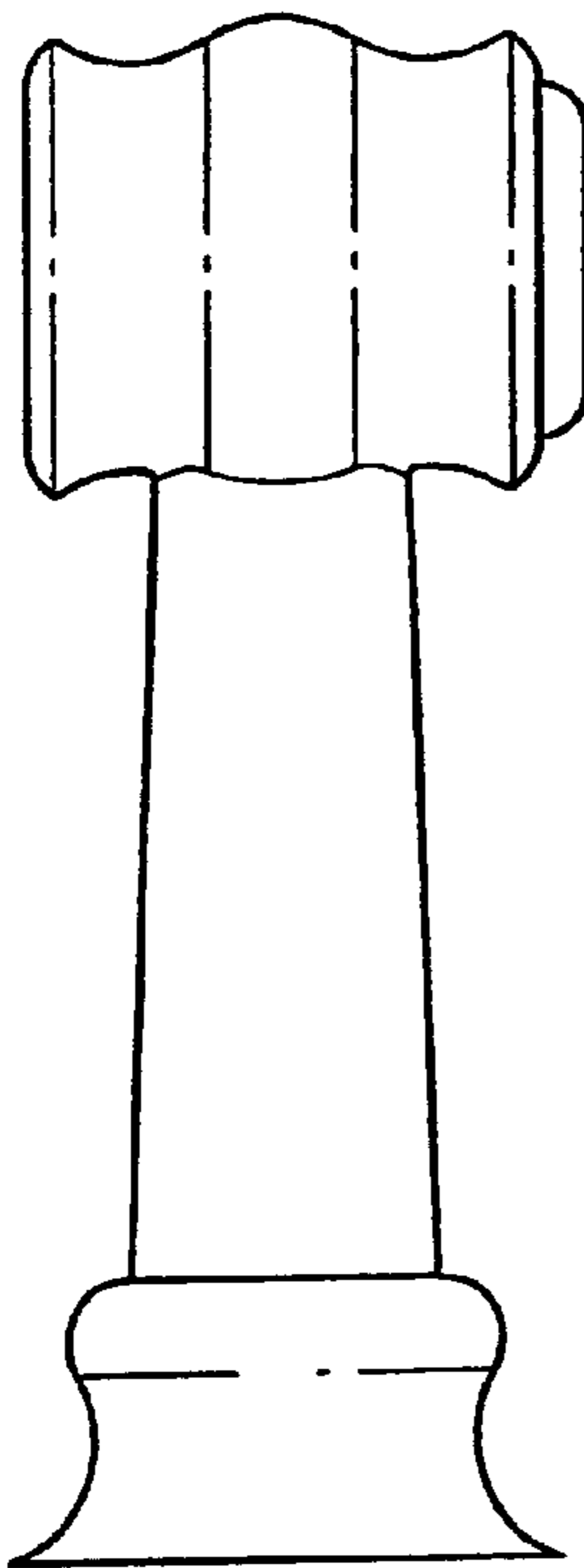


FIG. 6

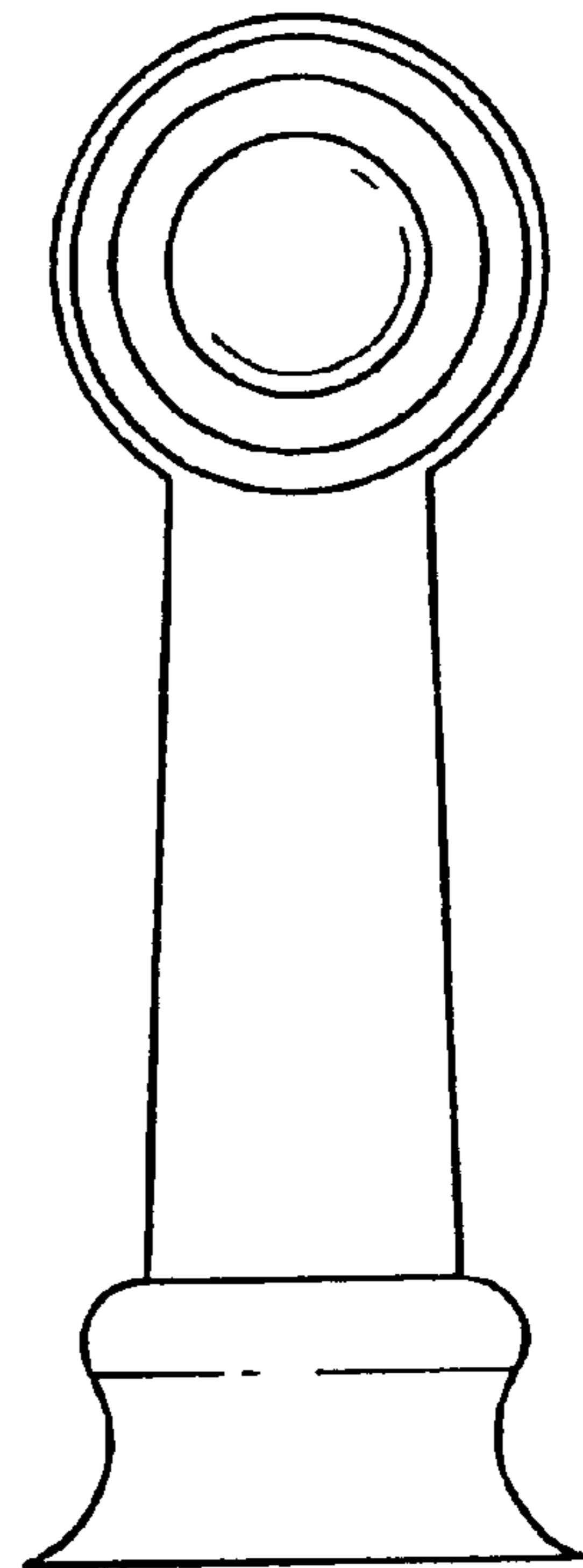


FIG. 7