



US00D518319S

(12) **United States Design Patent**
True

(10) **Patent No.:** **US D518,319 S**

(45) **Date of Patent:** **** Apr. 4, 2006**

(54) **BACK AND SEAT CUSHIONS FOR A CHAIR**

(75) Inventor: **Alan L. True**, Newport Beach, CA
(US)

(73) Assignee: **True Seating Concepts, LLC** (MU)

(**) Term: **14 Years**

(21) Appl. No.: **29/186,785**

(22) Filed: **Jul. 23, 2003**

(51) **LOC (8) Cl.** **06-01**

(52) **U.S. Cl.** **D6/500; D6/366**

(58) **Field of Classification Search** D6/334,
D6/355, 364, 365, 366, 367, 375, 379, 500,
D6/501, 502; 297/445.1, 446.1, 452.16
See application file for complete search history.

(56) **References Cited**

U.S. PATENT DOCUMENTS

D403,169 S	*	12/1998	Tseng	D6/366
D415,373 S	*	10/1999	Zaidman	D6/500
D437,131 S	*	2/2001	Tseng	D6/366
D467,442 S	*	12/2002	Zaidman	D6/366

OTHER PUBLICATIONS

Furniture Today, p. 42, Office Star Products ad, chair at top right, Oct. 16, 2000.*

* cited by examiner

Primary Examiner—Gary D. Watson

(74) *Attorney, Agent, or Firm*—Morland C. Fischer

(57) **CLAIM**

The ornamental design for back and seat cushions for a chair, as shown and described.

DESCRIPTION

FIG. 1 is a perspective view showing the top, left side and front of a chair having the back and seat cushions which form my new design, the broken lines of other parts of the chair and a ground line illustrated in this and/or other figures being for illustrative purposes only and forming no part of my design;

FIG. 2 is a left side elevational view thereof;

FIG. 3 is a right side elevational view thereof;

FIG. 4 is a front elevational view;

FIG. 5 is a rear elevational view thereof; and,

FIG. 6 is a top plan view thereof.

1 Claim, 6 Drawing Sheets





FIG. 1

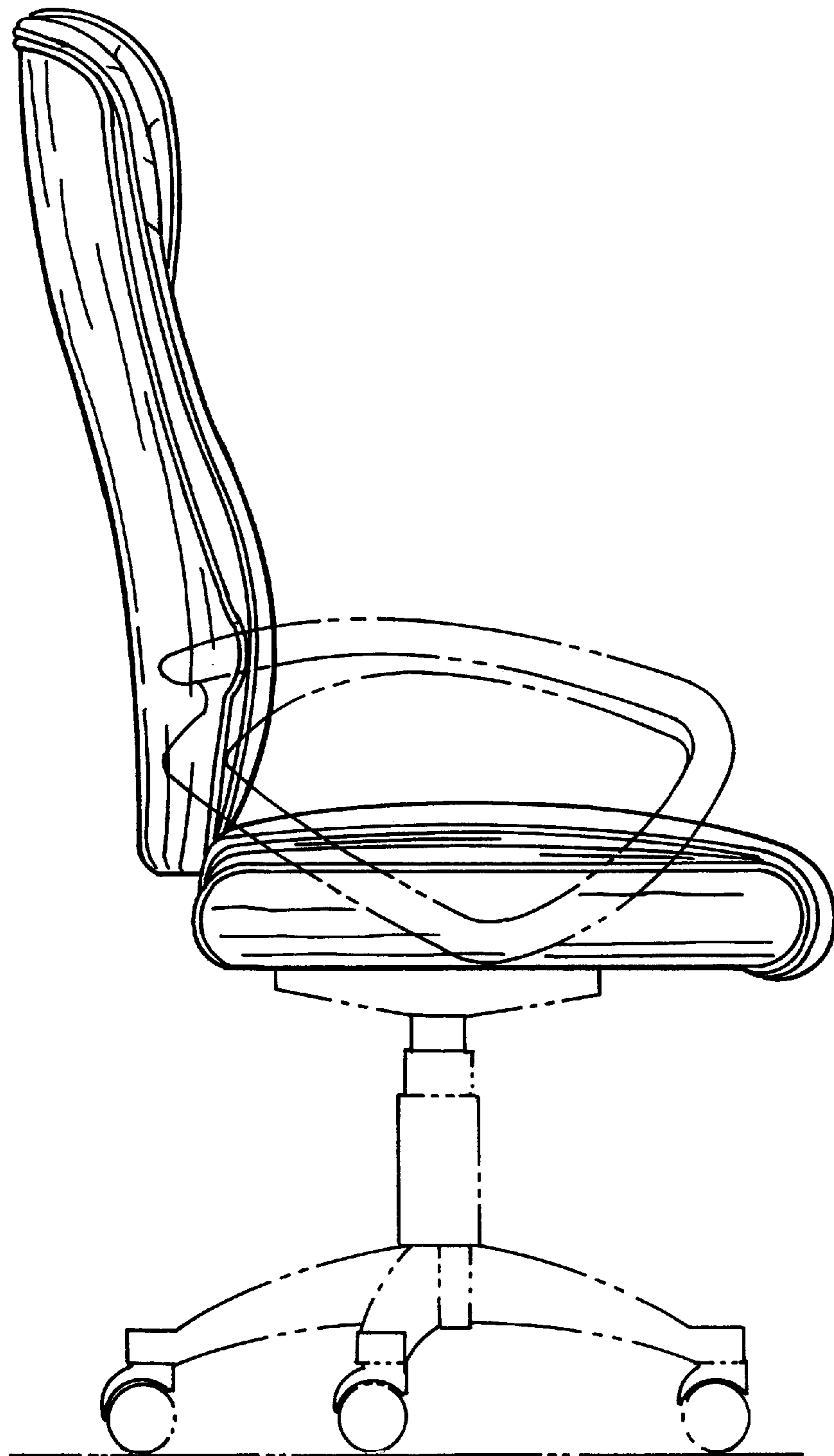


FIG. 2

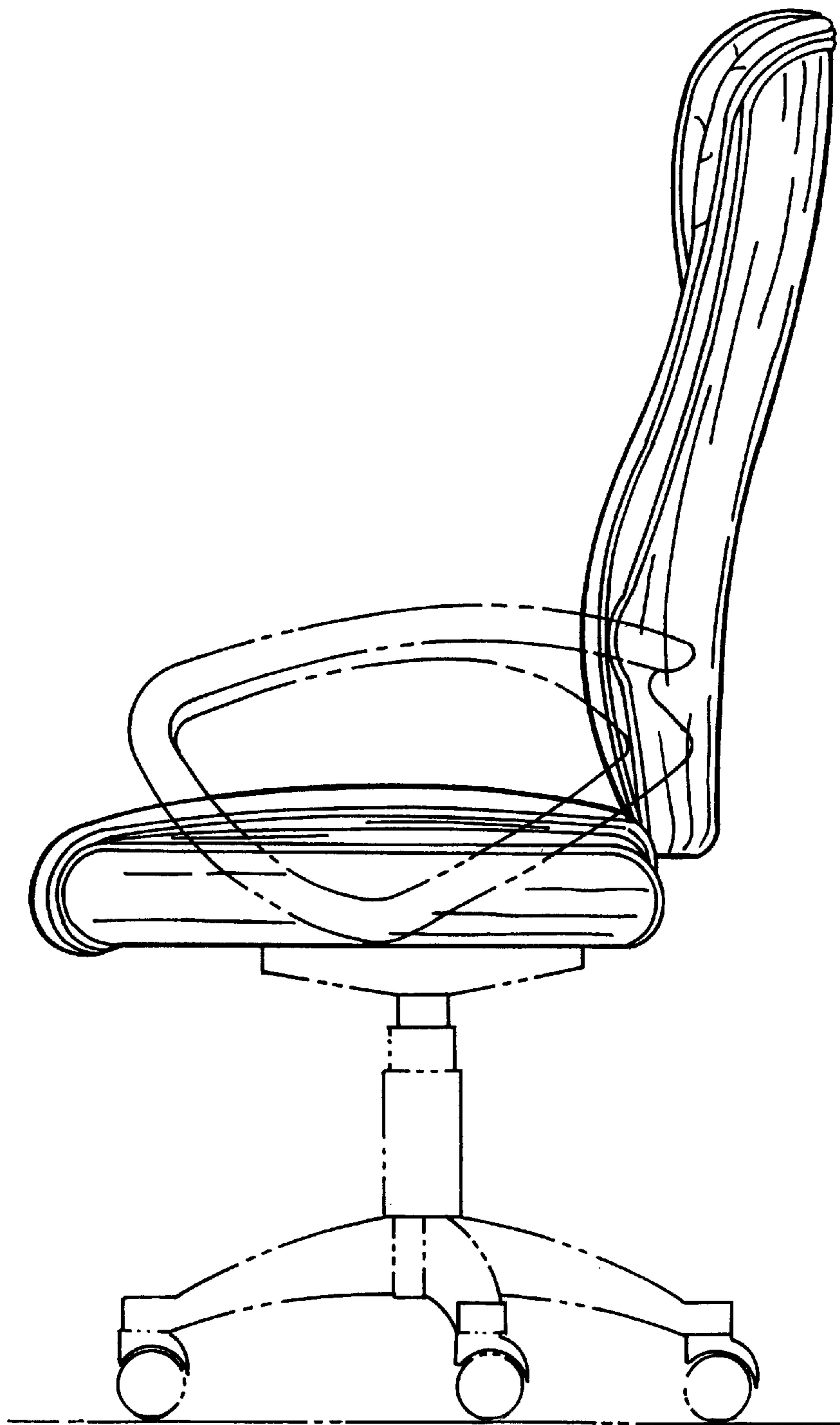


FIG. 3

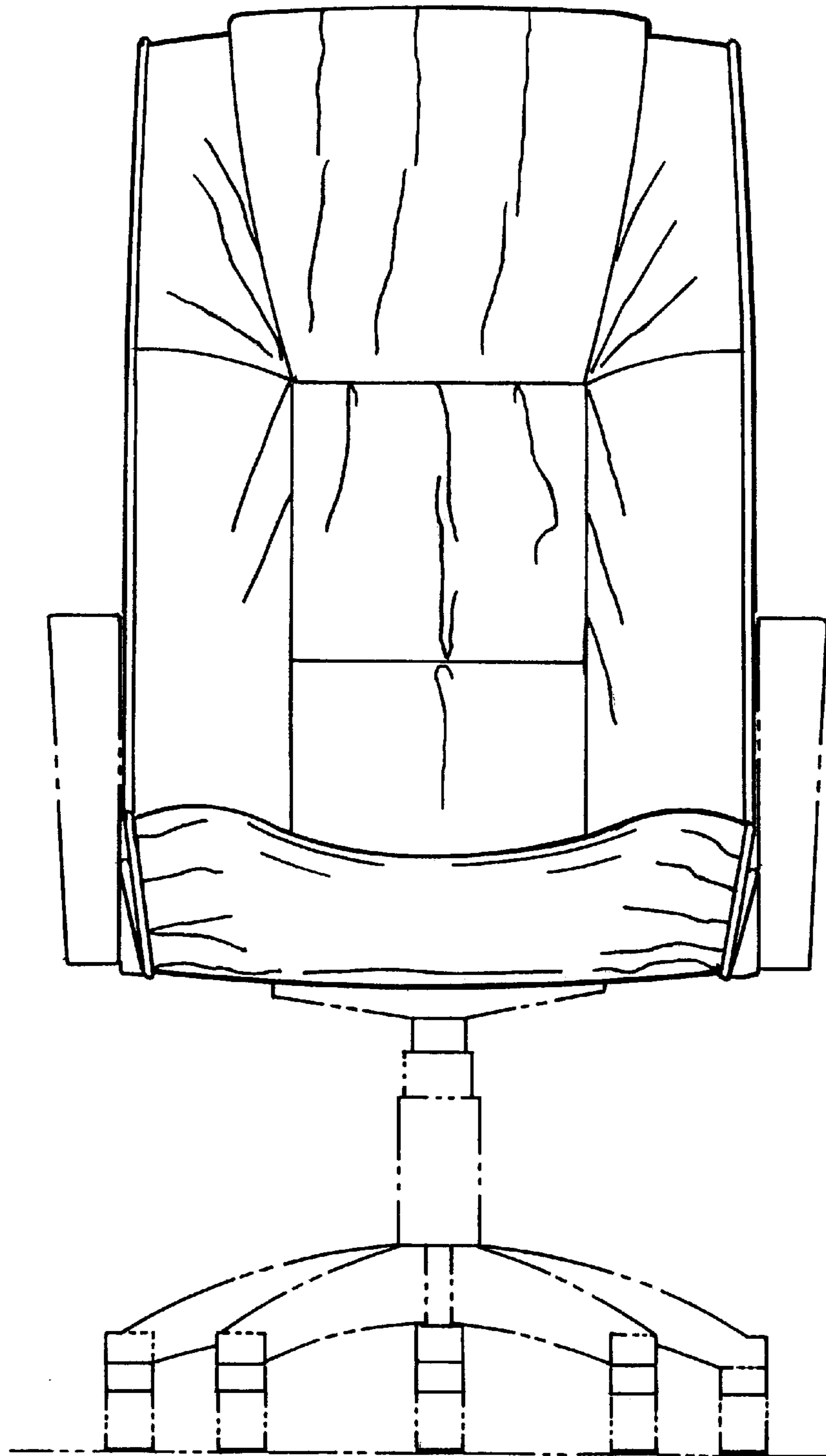


FIG. 4

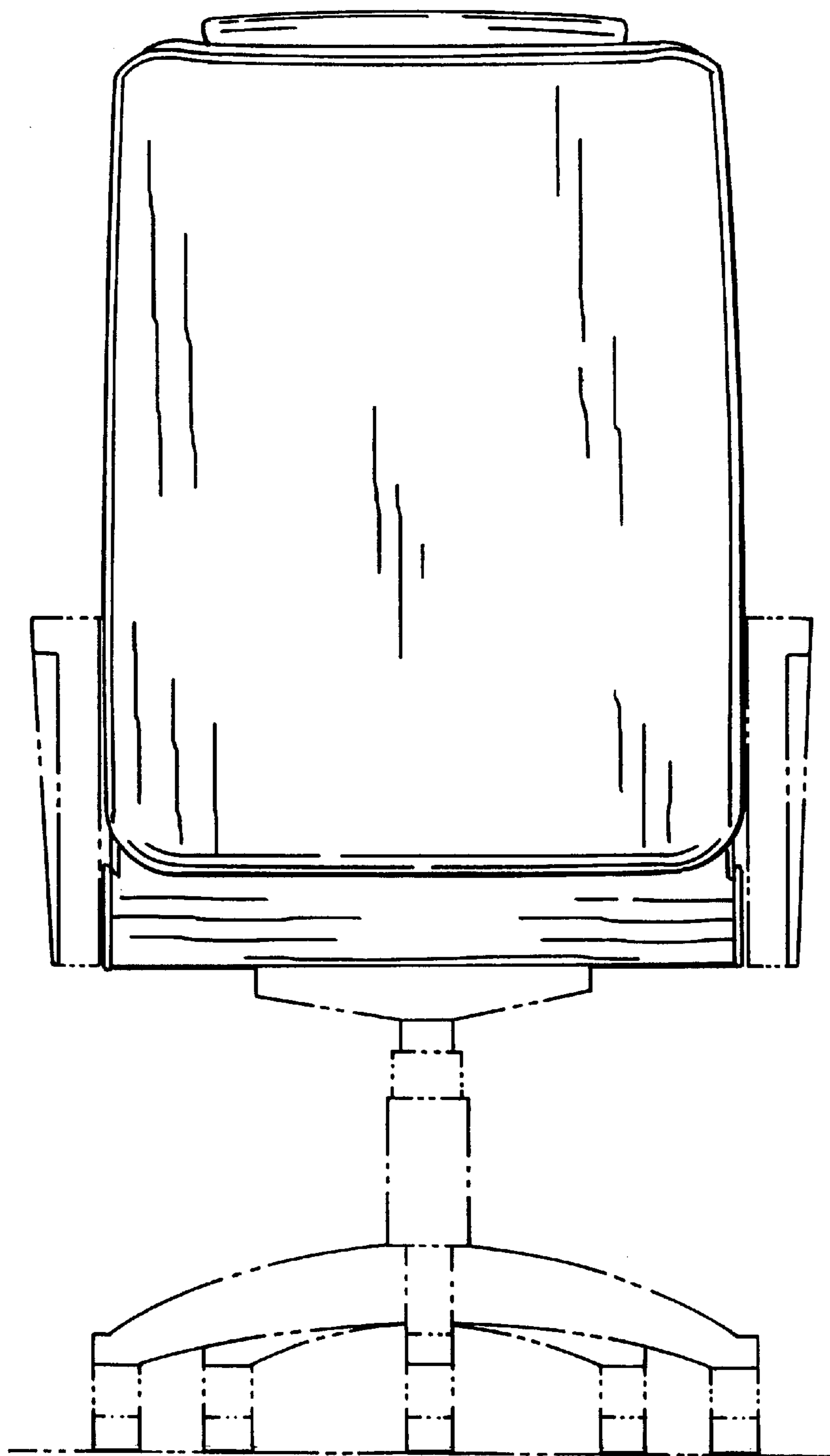


FIG. 5

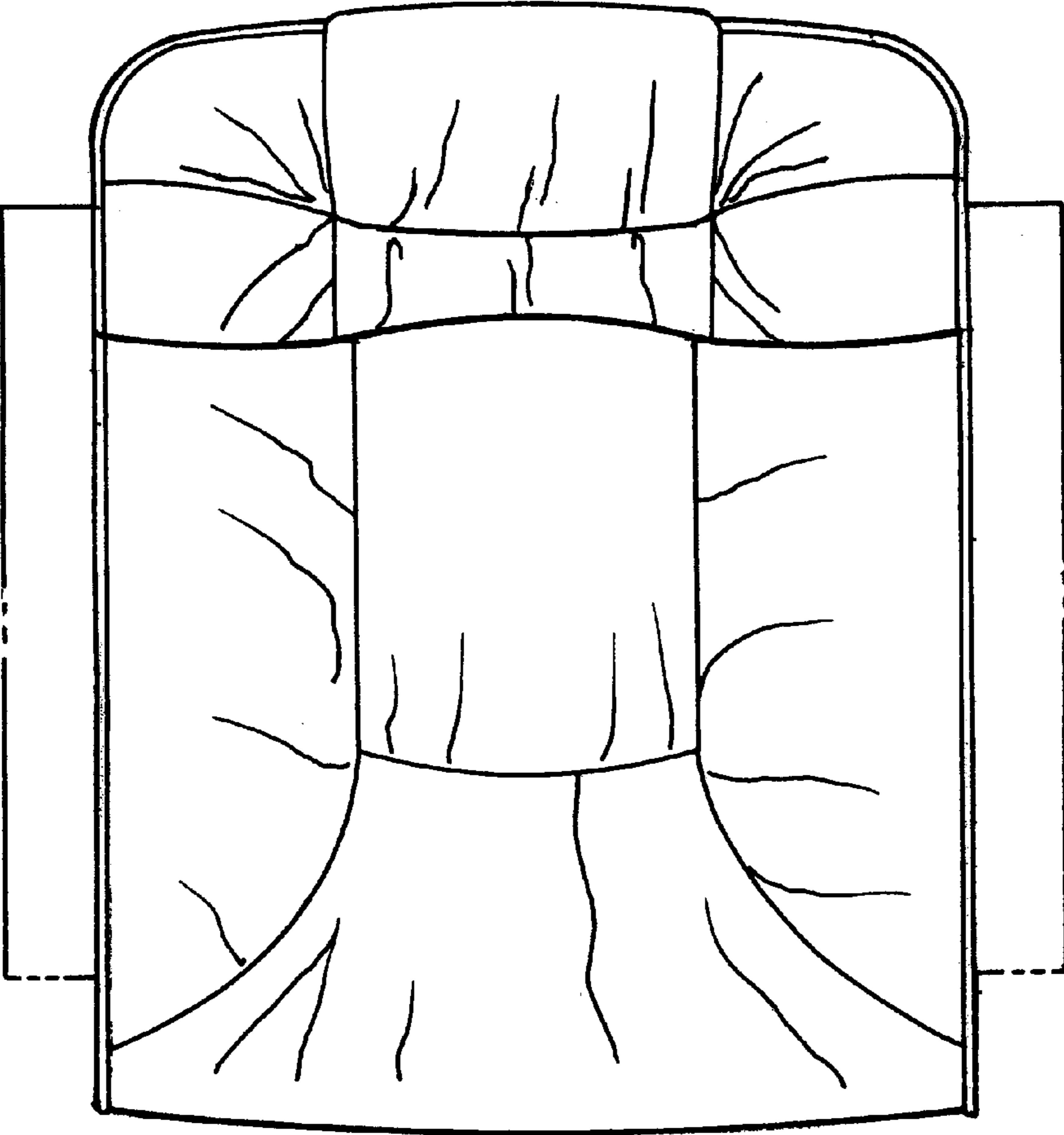


FIG. 6