



US00D518318S

(12) **United States Design Patent**
Koepke

(10) **Patent No.:** **US D518,318 S**

(45) **Date of Patent:** **** Apr. 4, 2006**

(54) **CHAIR BASE**

(75) Inventor: **Marcus C. Koepke**, Indianapolis, IN
(US)

(73) Assignee: **HON Technology Inc.**, Muscatine, IA
(US)

(**) Term: **14 Years**

(21) Appl. No.: **29/196,513**

(22) Filed: **Dec. 30, 2003**

(51) **LOC (8) Cl.** **06-06**

(52) **U.S. Cl.** **D6/498**

(58) **Field of Classification Search** D6/334,
D6/364, 365, 367, 498, 500-502; 297/411.2,
297/411.27, 411.28; 248/188, 188.1, 188.7,
248/188.8, 188.9

See application file for complete search history.

(56) **References Cited**

U.S. PATENT DOCUMENTS

D275,158 S	*	8/1984	Aronowitz et al.	D6/366
D302,769 S	*	8/1989	Jenkins	D6/366
D306,531 S	*	3/1990	Snodgrass	D6/366
D308,605 S	*	6/1990	Uecker et al.	D6/366
D318,763 S	*	8/1991	George et al.	D6/366
5,048,780 A	*	9/1991	Borsani	248/188.7
D321,299 S	*	11/1991	Caruso et al.	D6/498
D328,395 S	*	8/1992	Neuser	D6/366

D340,589 S	*	10/1993	Chu	D6/366
D371,683 S	*	7/1996	Tolleson et al.	D6/366
D381,525 S	*	7/1997	James	D6/366
D395,366 S	*	6/1998	Favaretto	D6/366
D397,258 S	*	8/1998	Heyder et al.	D6/366
D433,257 S	*	11/2000	Chen	D6/498
D459,600 S	*	7/2002	Tseng	D6/366

OTHER PUBLICATIONS

Chair base A, p. 21, Furniture Today Apr. 15, 2002.*

* cited by examiner

Primary Examiner—Mimosa De

(74) *Attorney, Agent, or Firm*—Faegre & Benson LLP;
Robert B. Leonard

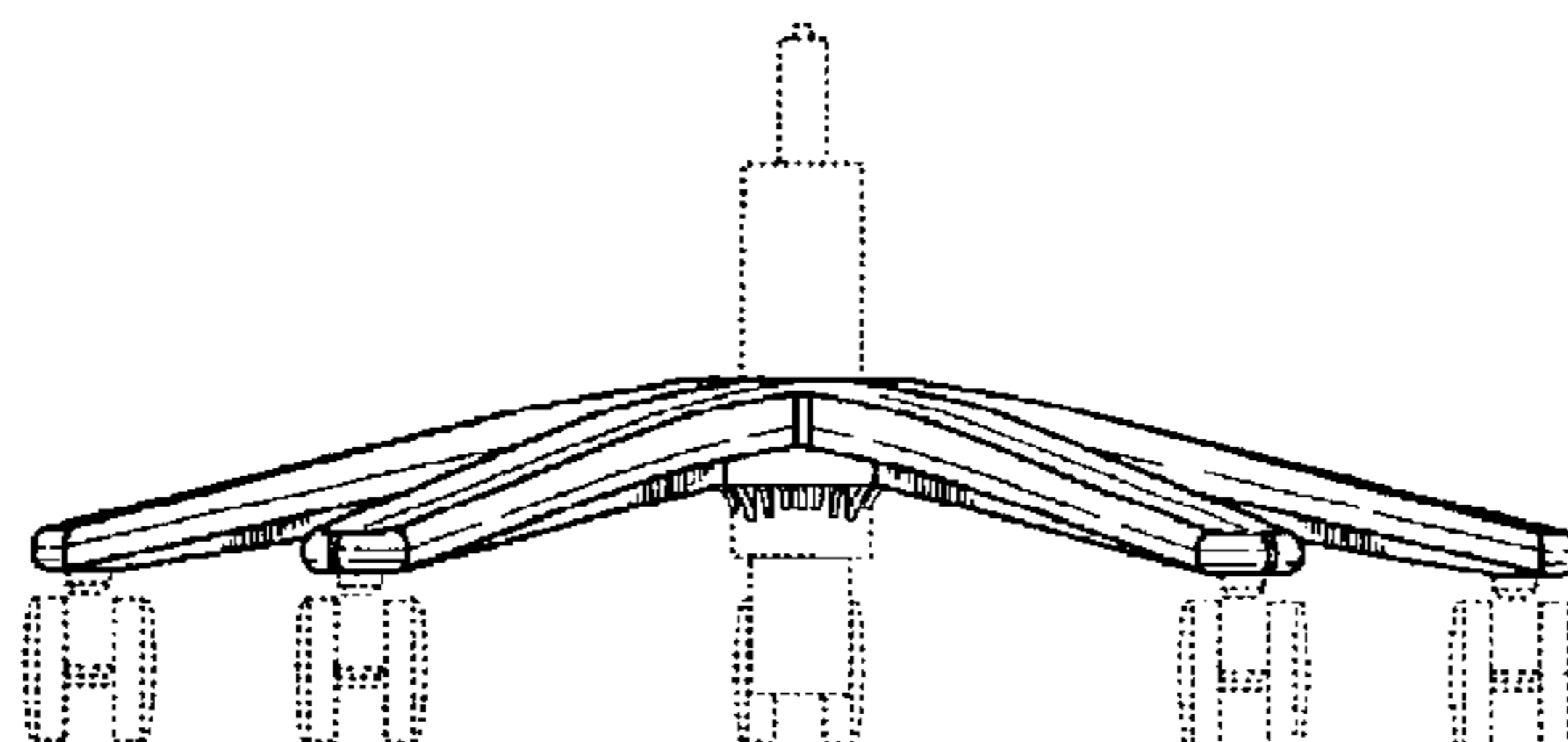
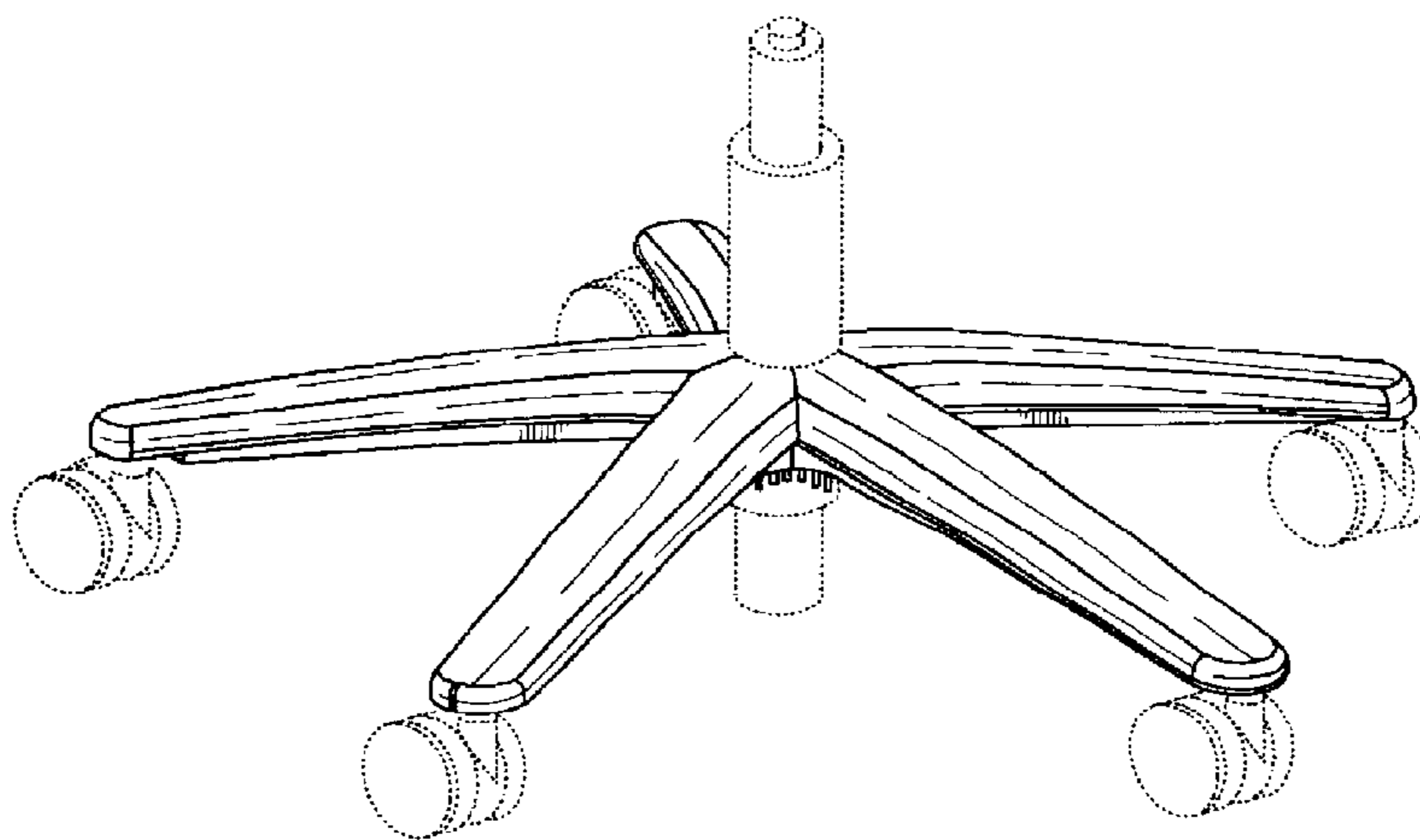
(57) **CLAIM**

I claim the ornamental design for a chair base, as shown and described.

DESCRIPTION

FIG. 1 is a top perspective view of the chair base;
FIG. 2 is a front view of the chair base of FIG. 1;
FIG. 3 is rear view of the chair base of FIG. 1;
FIG. 4 is a right side view of the chair base of FIG. 1;
FIG. 5 is a left side of the chair base of FIG. 1; and,
FIG. 6 is a top plan view of the chair base of FIG. 1.
The portions shown in broken line are not part of the design as claimed.

1 Claim, 4 Drawing Sheets



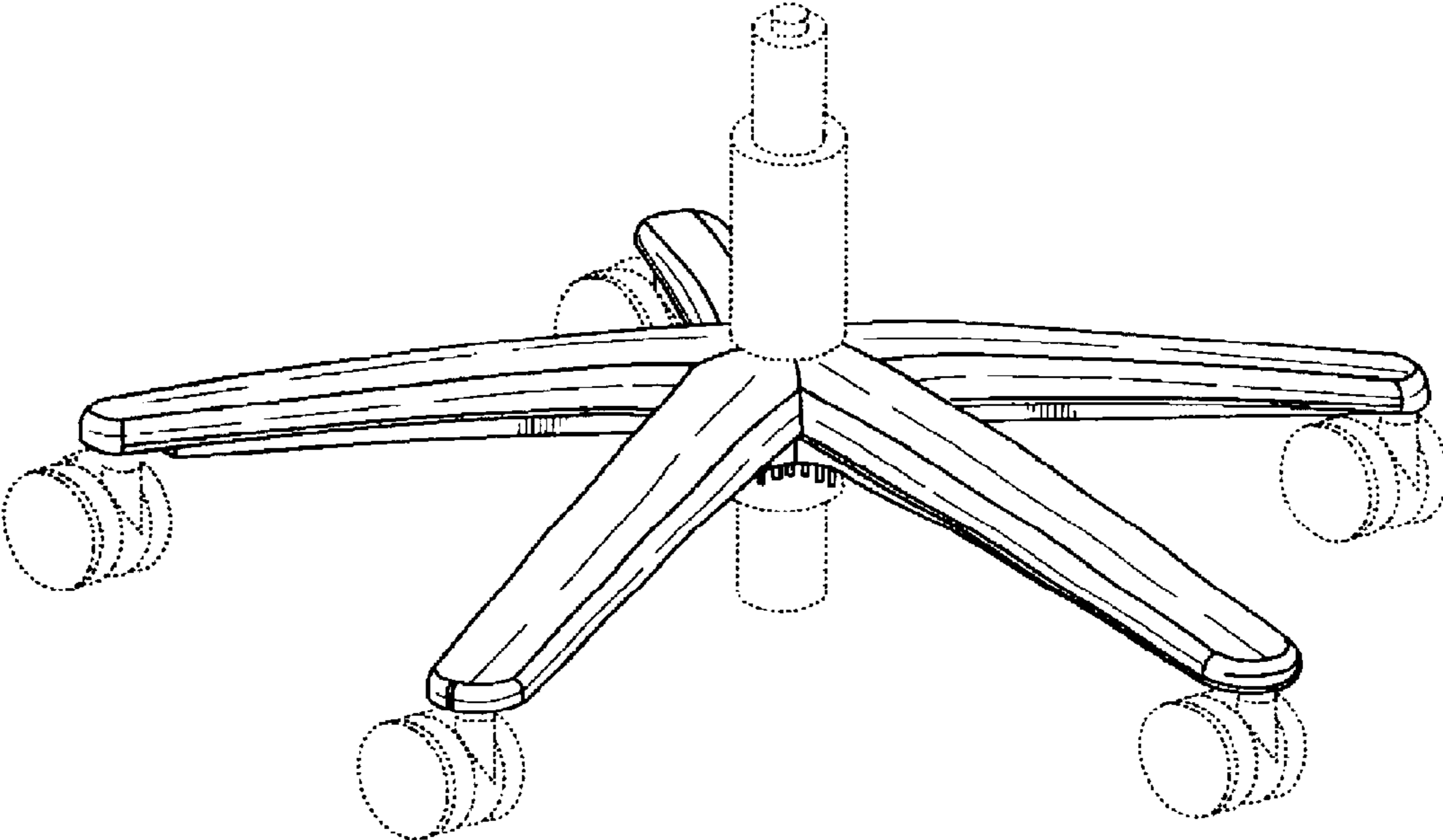


Fig. 1

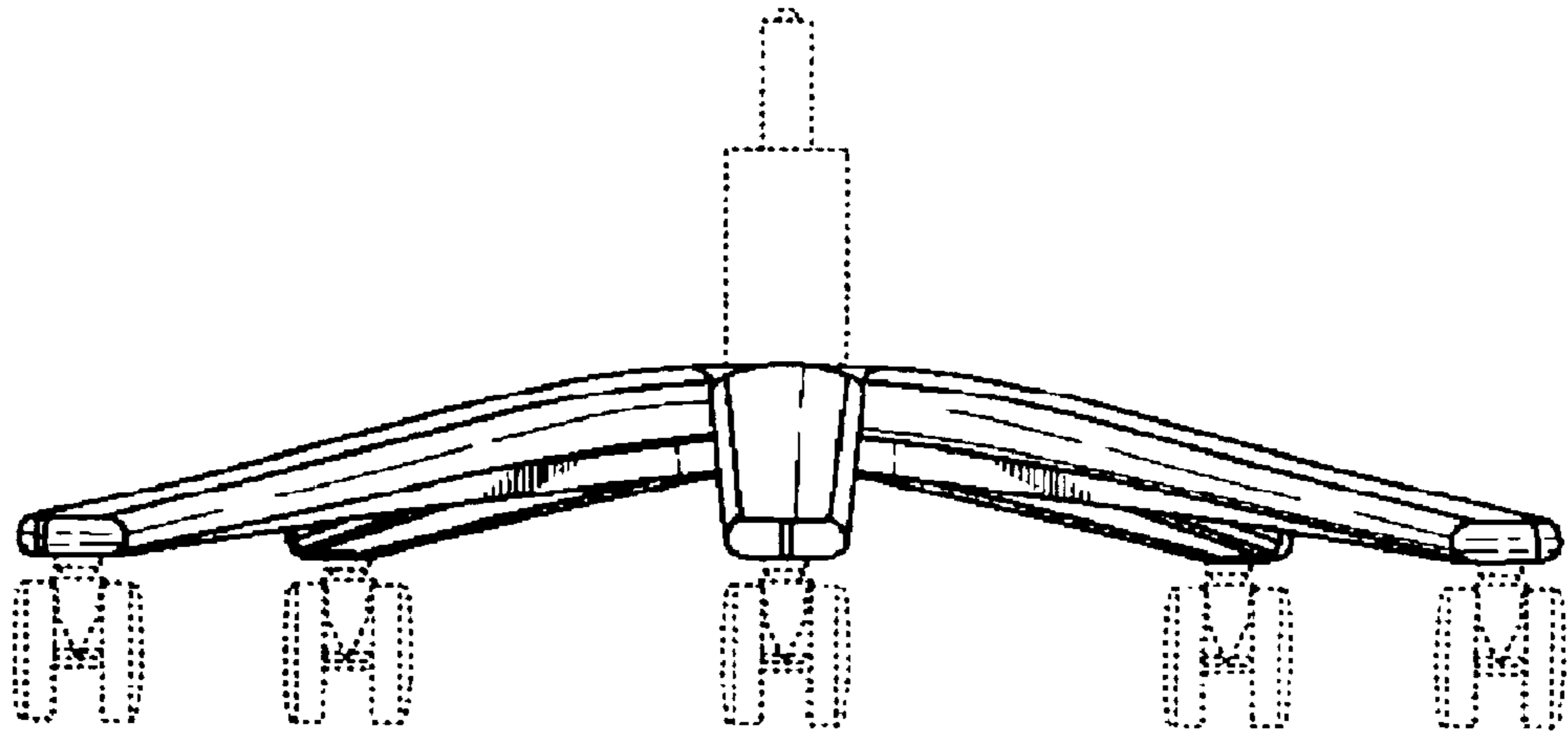


Fig. 2

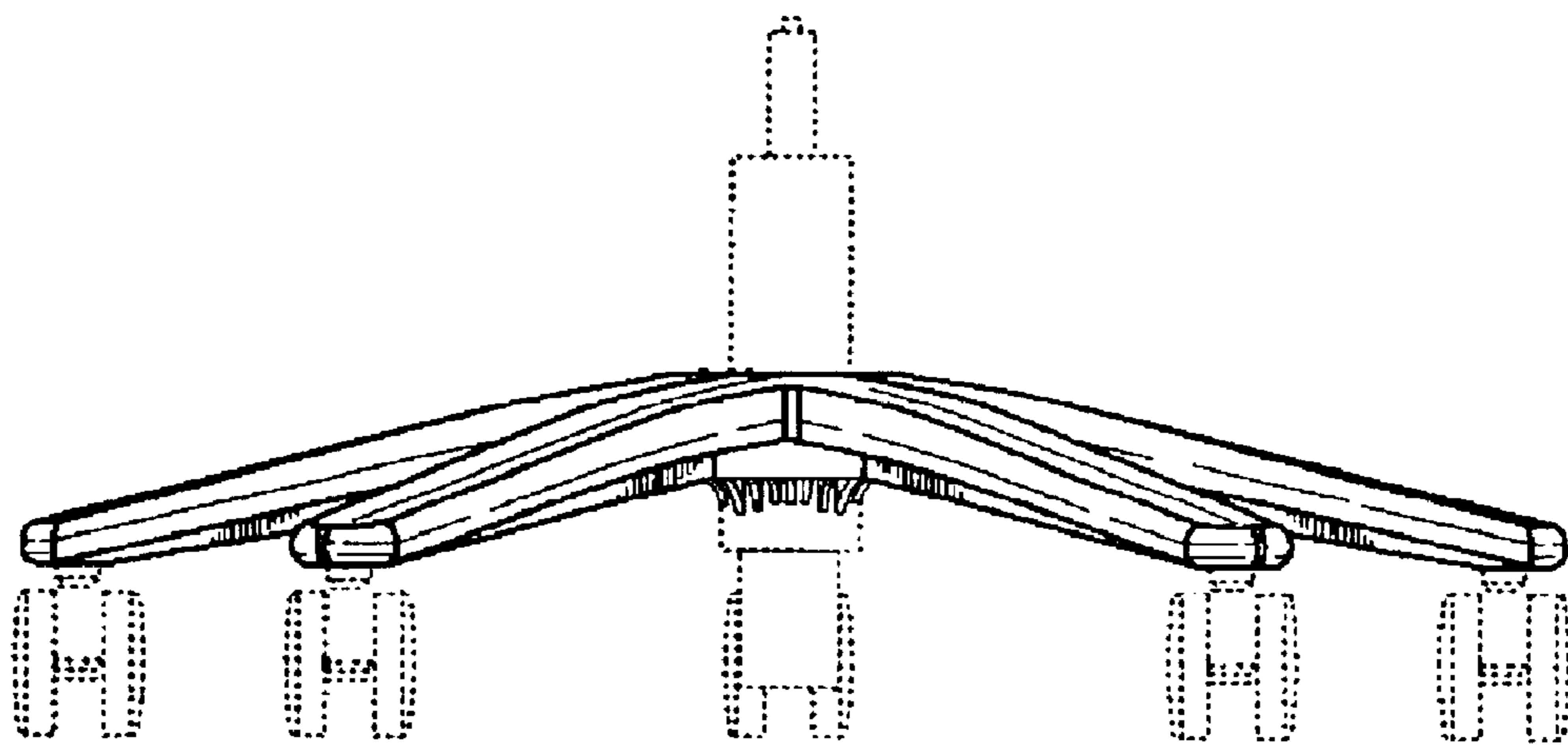


Fig. 3

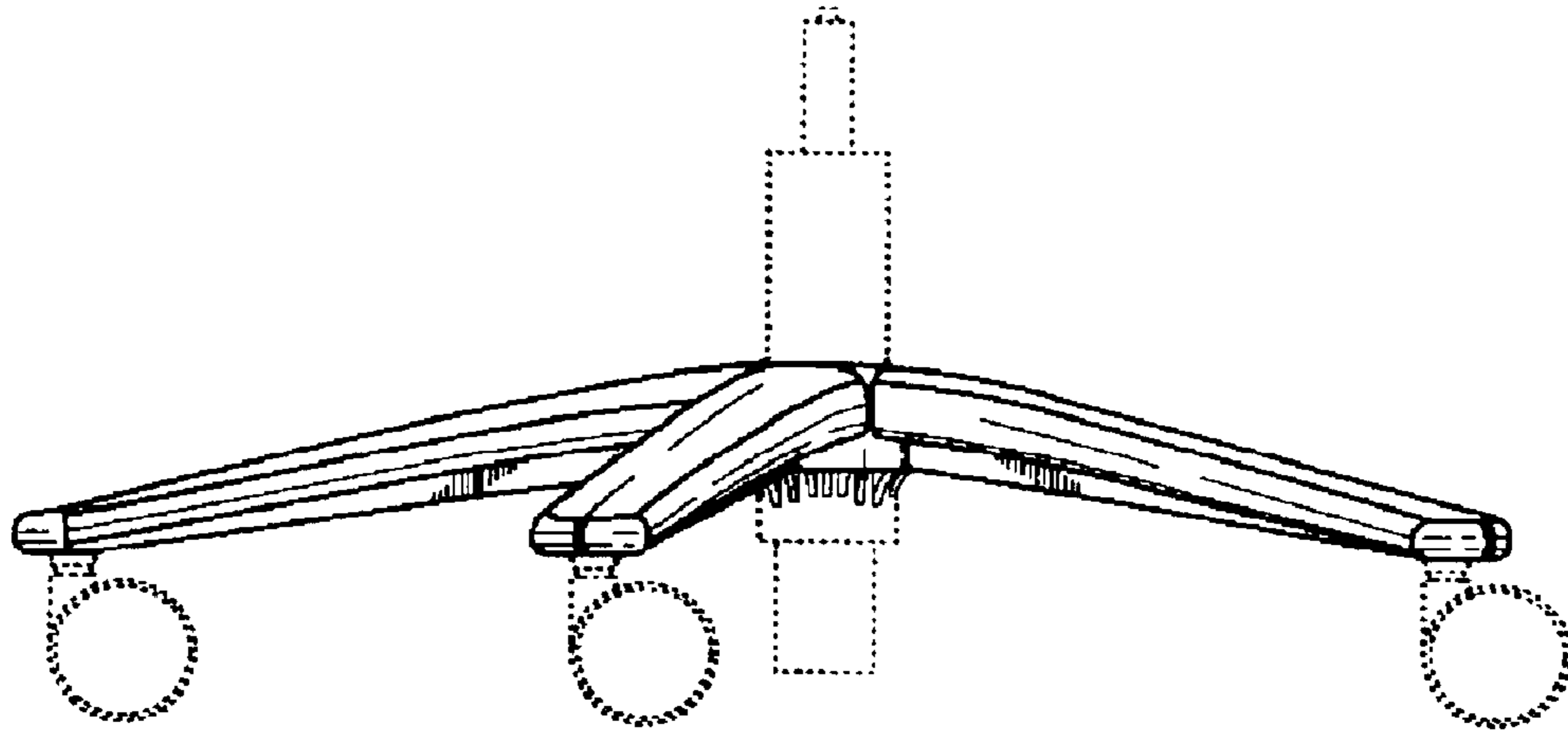


Fig. 4

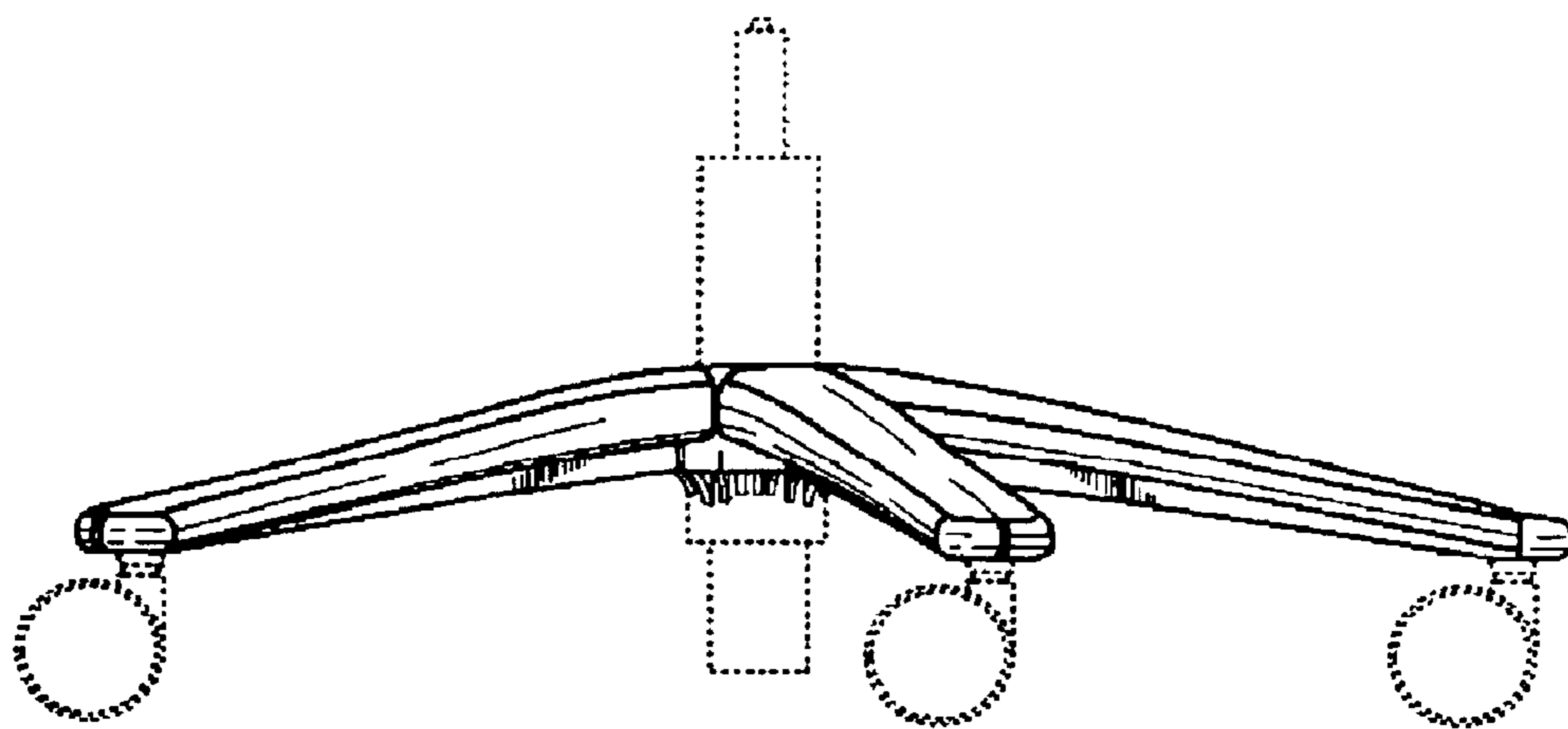


Fig. 5

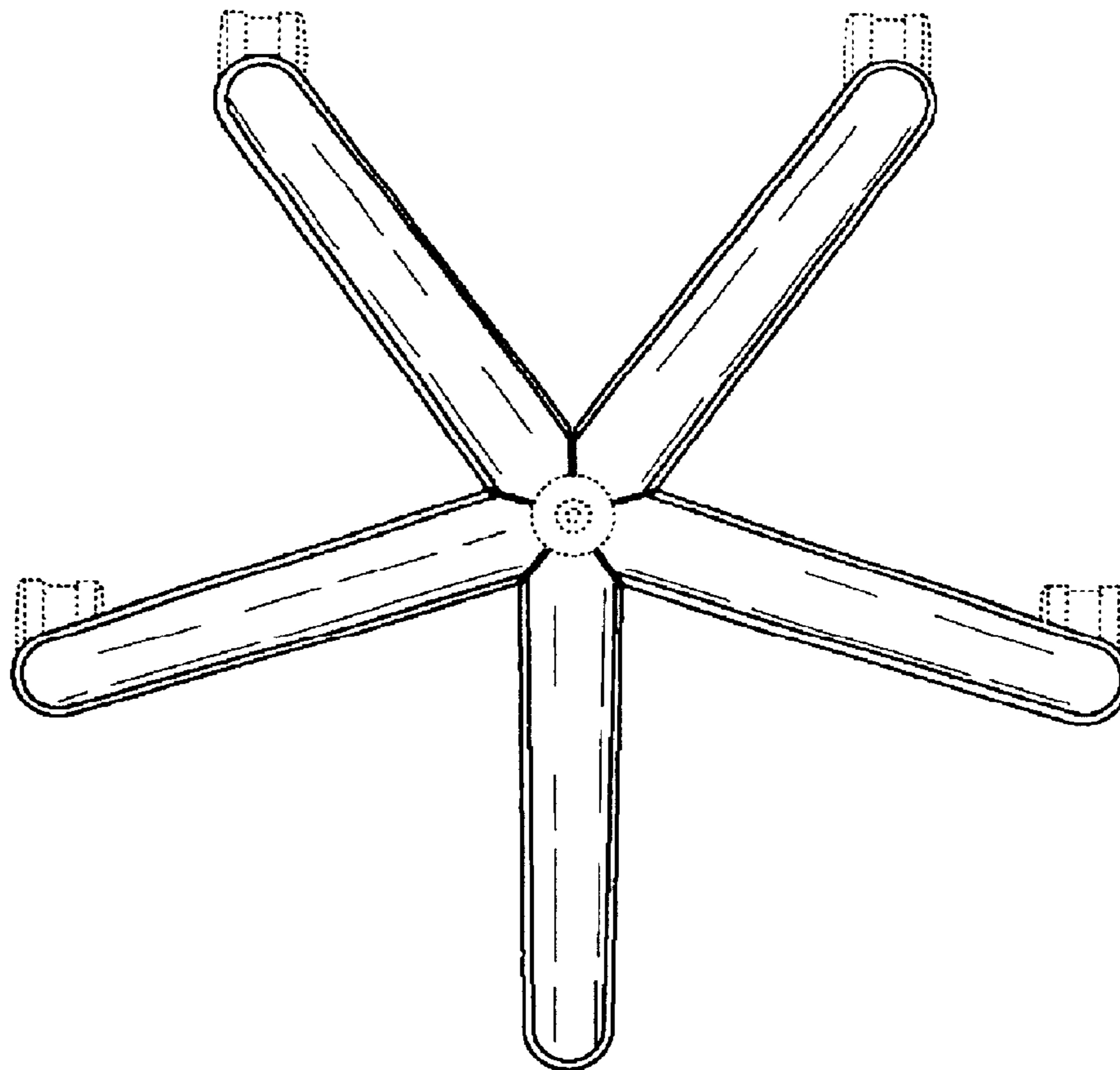


Fig. 6