



US00D518316S

(12) **United States Design Patent**
Gusdorf et al.

(10) **Patent No.:** **US D518,316 S**

(45) **Date of Patent:** **** Apr. 4, 2006**

(54) **MULTI-LEVEL SHELF**

(75) Inventors: **Michael L. Gusdorf**, St. Louis, MO
(US); **Hsing-Ling Li**, Crawford, MO
(US)

(73) Assignee: **Industrial Wire Projects Inc.**,
Sullivan, MO (US)

(**) Term: **14 Years**

(21) Appl. No.: **29/224,062**

(22) Filed: **Feb. 24, 2005**

(51) **LOC (8) Cl.** **06-04**

(52) **U.S. Cl.** **D6/474; D6/464**

(58) **Field of Classification Search** D6/460,
D6/461, 468, 464, 474, 477-479, 429; 108/11,
108/65, 137, 59, 91, 92, 96; 211/42, 85, 87.01,
211/90.01, 107, 111, 119.003, 134, 186, 153,
211/189, 195, 201, 175

See application file for complete search history.

(56) **References Cited**

U.S. PATENT DOCUMENTS

1,514,055 A * 11/1924 Lawson 108/100
D122,172 S * 8/1940 Robinson et al. D6/464
2,528,838 A * 11/1950 Martino 108/101
D170,098 S * 7/1953 Swanson D6/468

2,848,119 A * 8/1958 Fitser 108/101
D189,602 S * 1/1961 Hawthorne D6/474
D207,564 S * 5/1967 Hartford D6/468
3,830,170 A * 8/1974 Faulstich 108/162
D242,890 S * 1/1977 Hillman et al. D6/473
D319,356 S * 8/1991 Vukelich, Sr. D6/405
D469,985 S * 2/2003 Pryor D6/464
D507,431 S * 7/2005 Goth D6/474

* cited by examiner

Primary Examiner—Cathron C. Brooks

(74) *Attorney, Agent, or Firm*—Paul M. Denk

(57) **CLAIM**

The ornamental design for the multi-level shelf, as shown and described.

DESCRIPTION

FIG. 1 is an isometric view of the multilevel shelf of this invention;

FIG. 2 is a front view thereof;

FIG. 3 is a rear view;

FIG. 4 is a left side view;

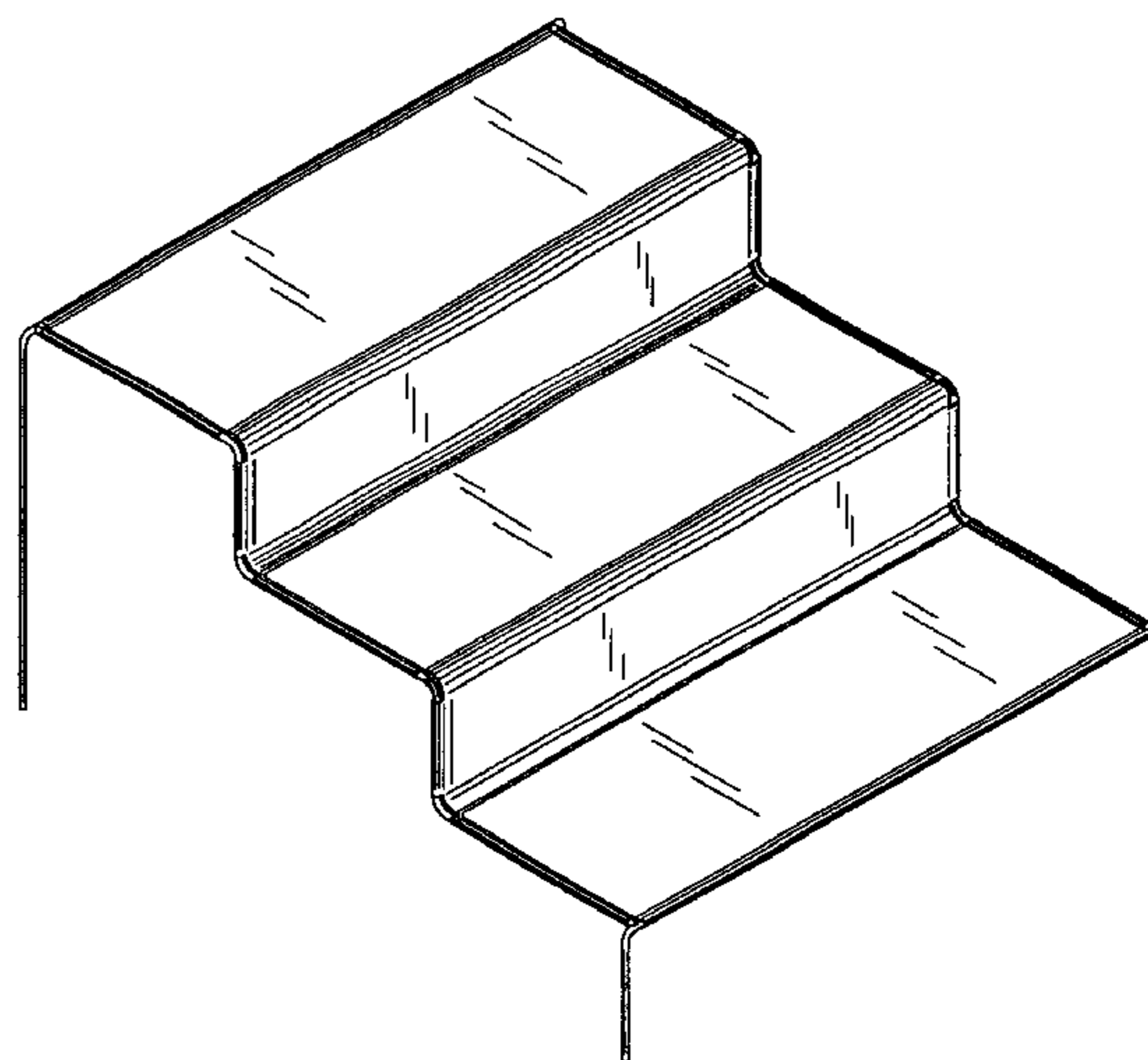
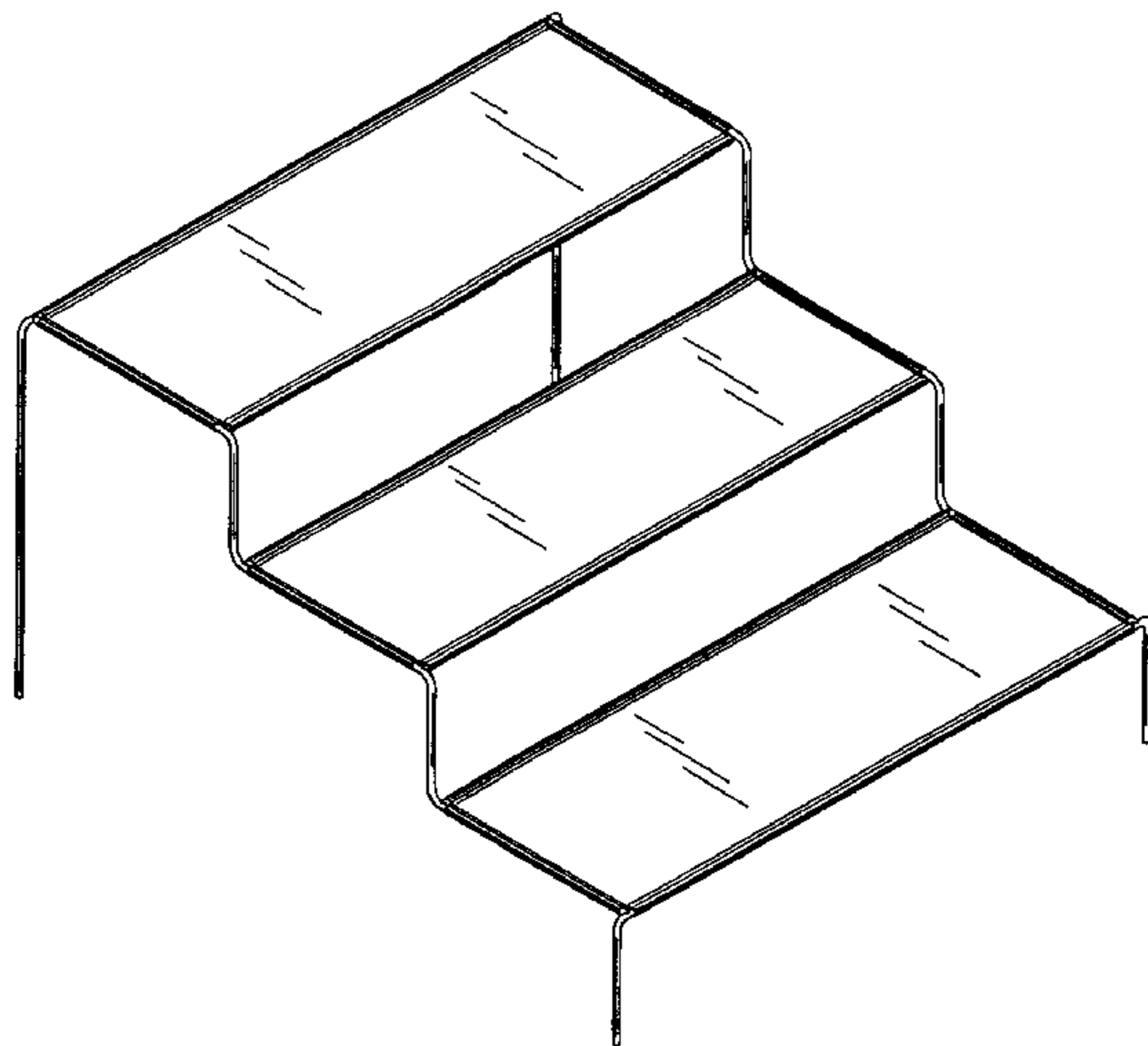
FIG. 5 is a right side view;

FIG. 6 is a top plan view;

FIG. 7 is a bottom view; and,

FIG. 8 is an isometric view of a modified multilevel shelf.

1 Claim, 3 Drawing Sheets



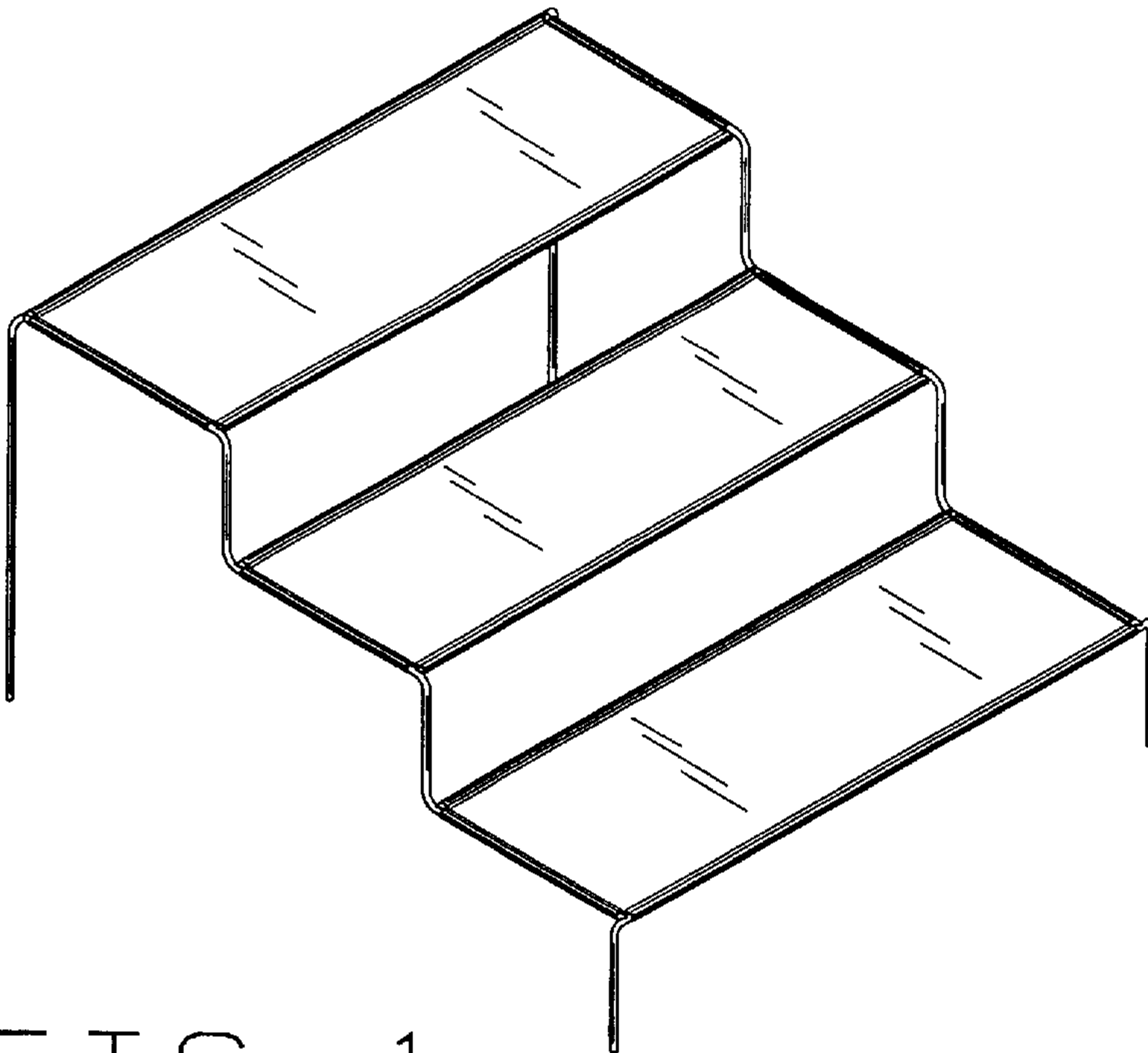


FIG. 1

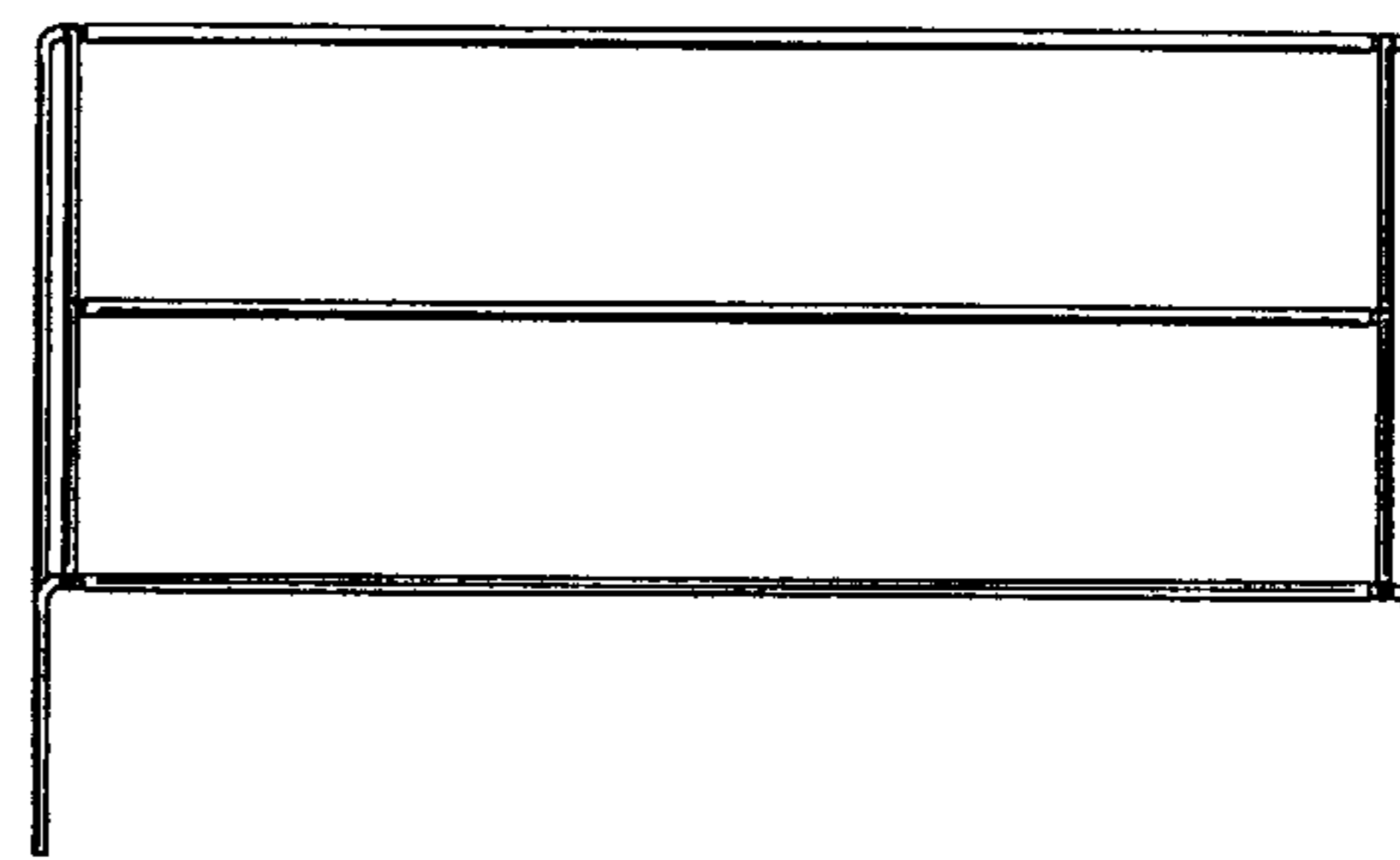


FIG. 2

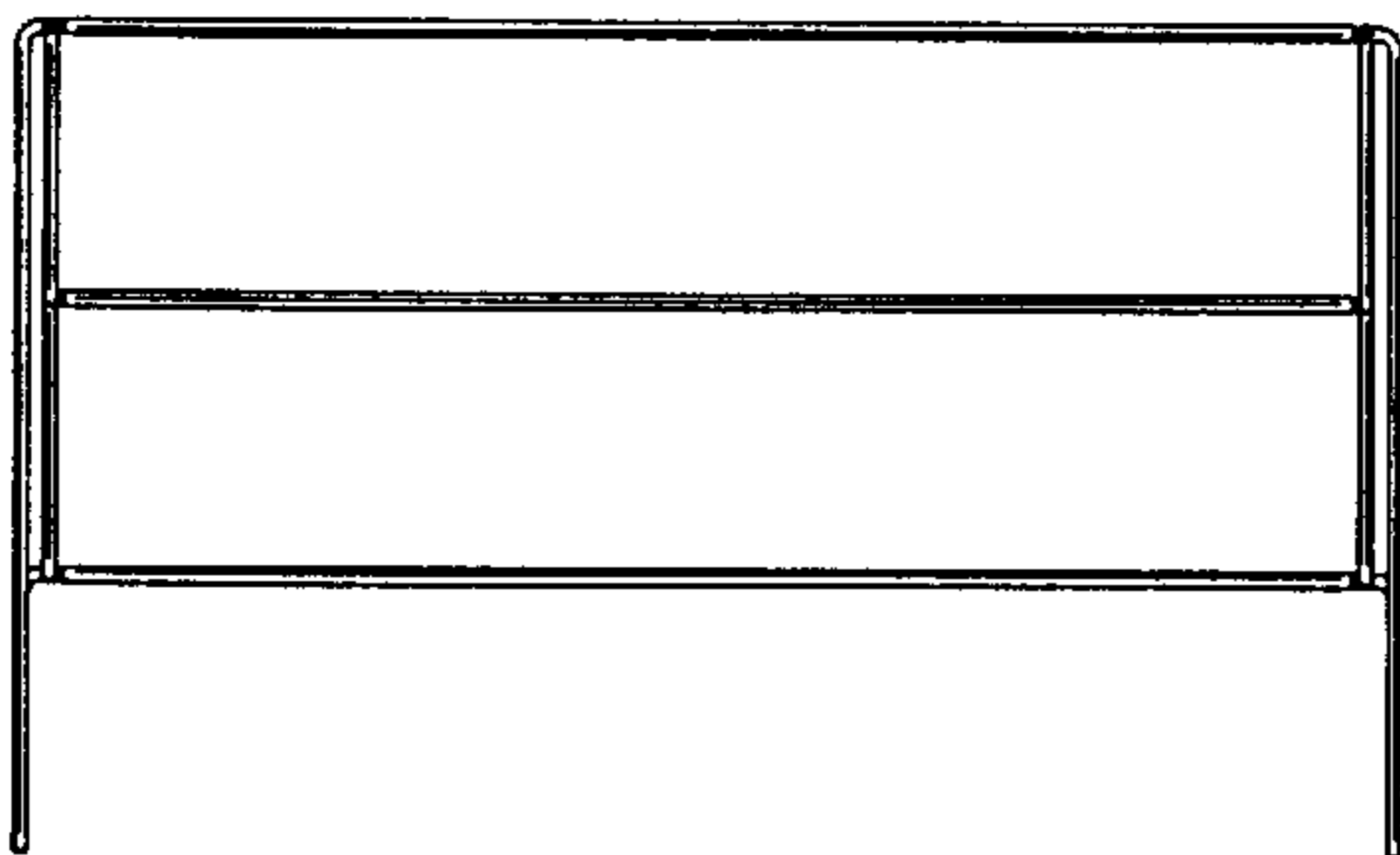


FIG. 3

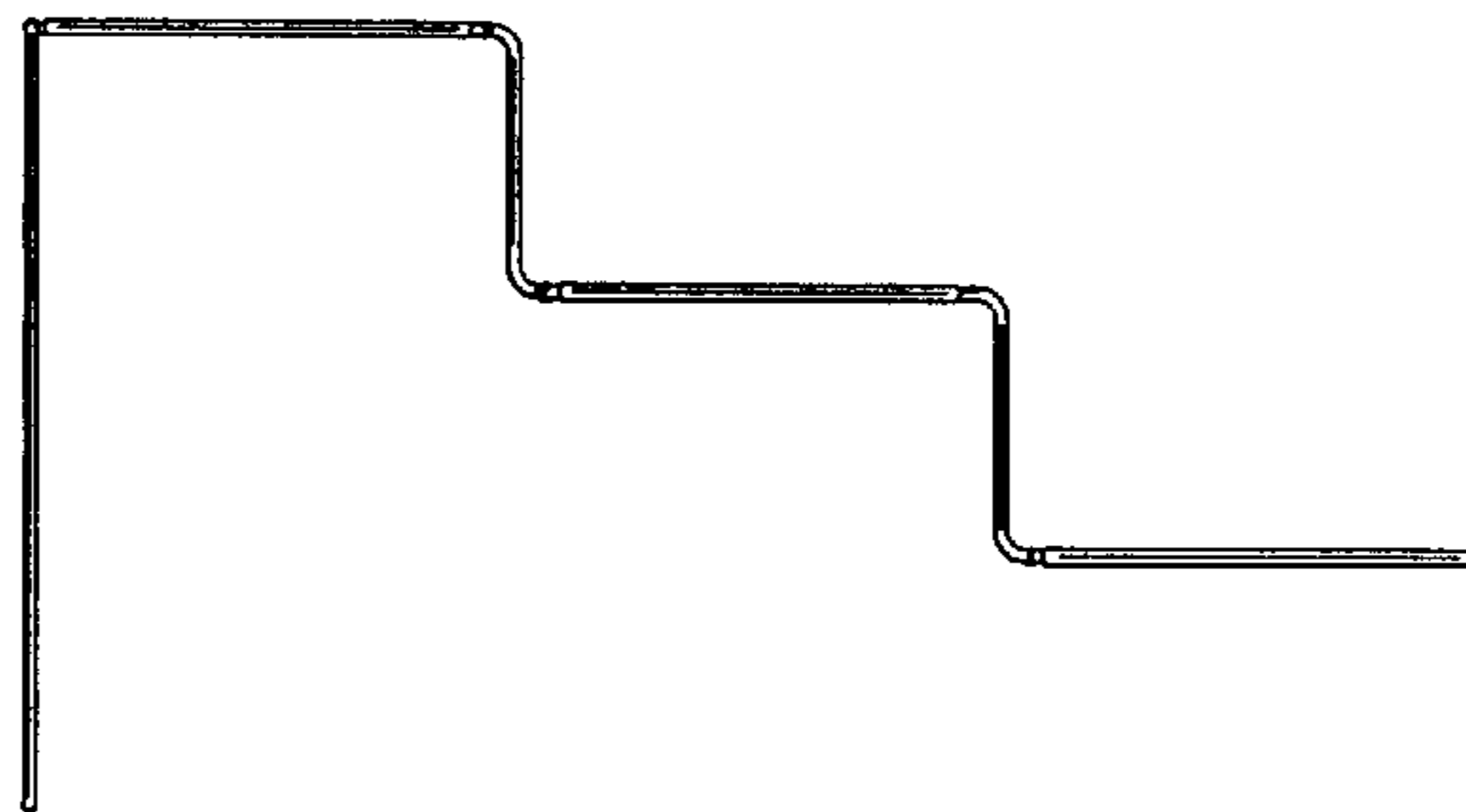


FIG. 4

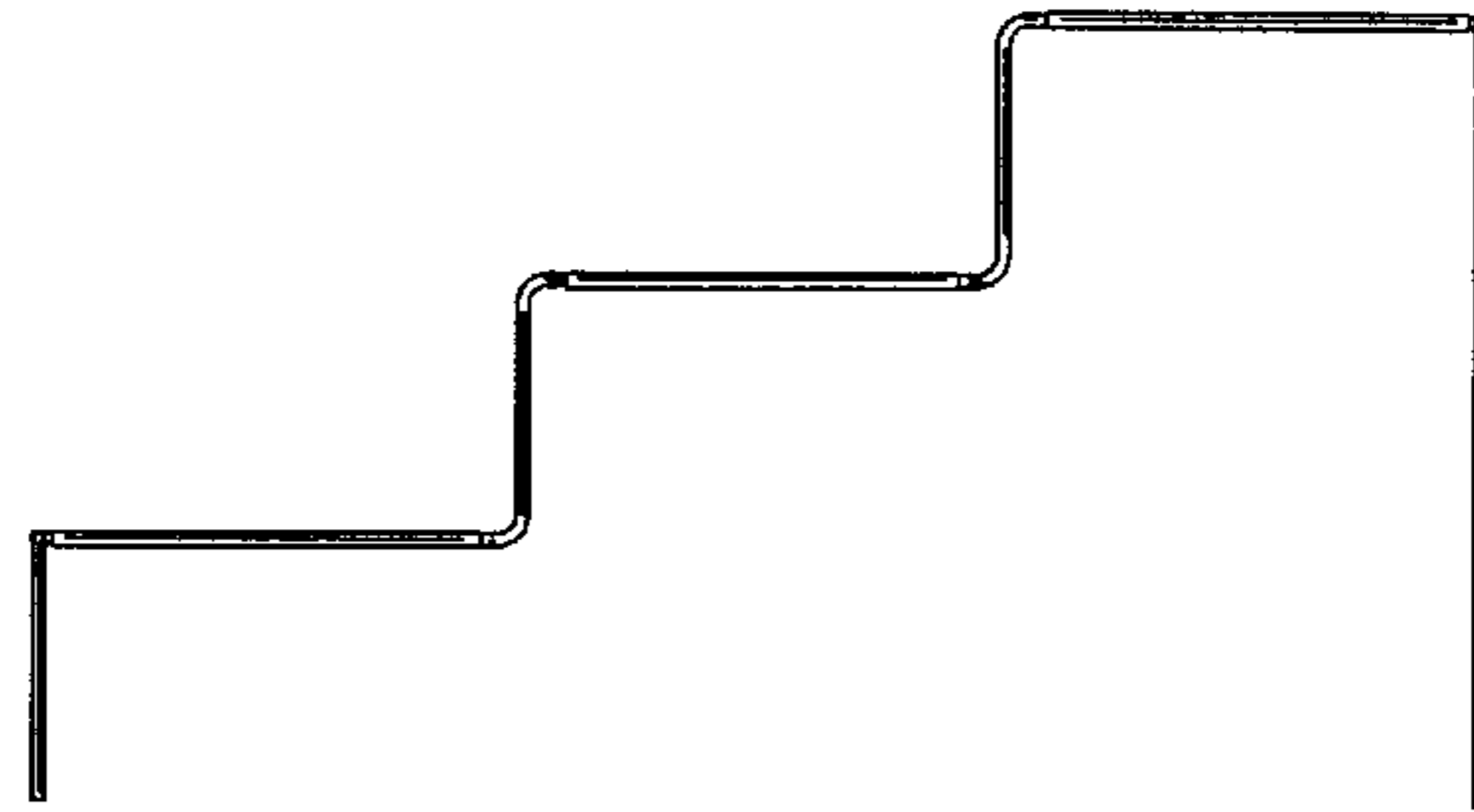


FIG. 5

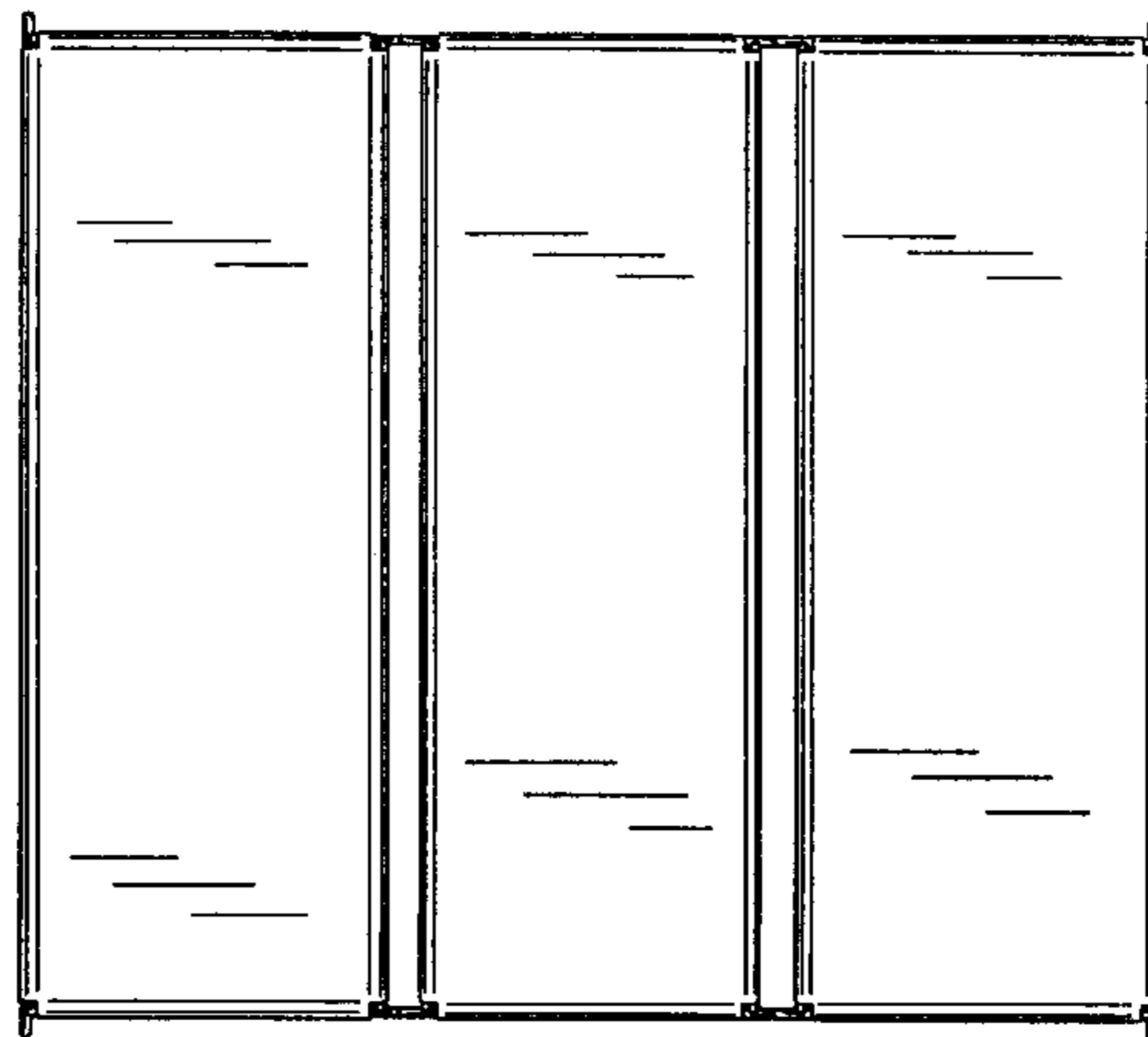


FIG. 6

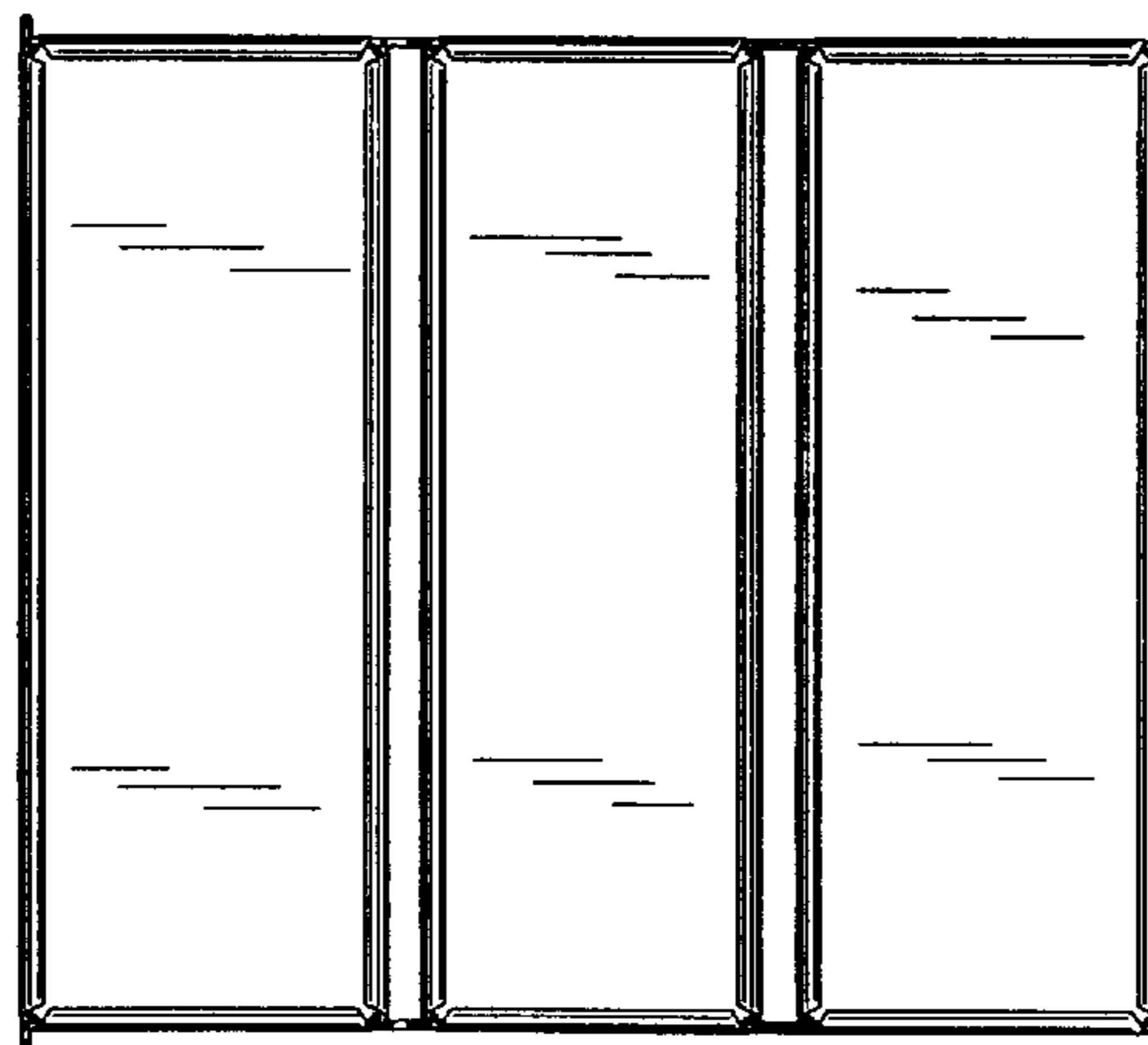


FIG. 7

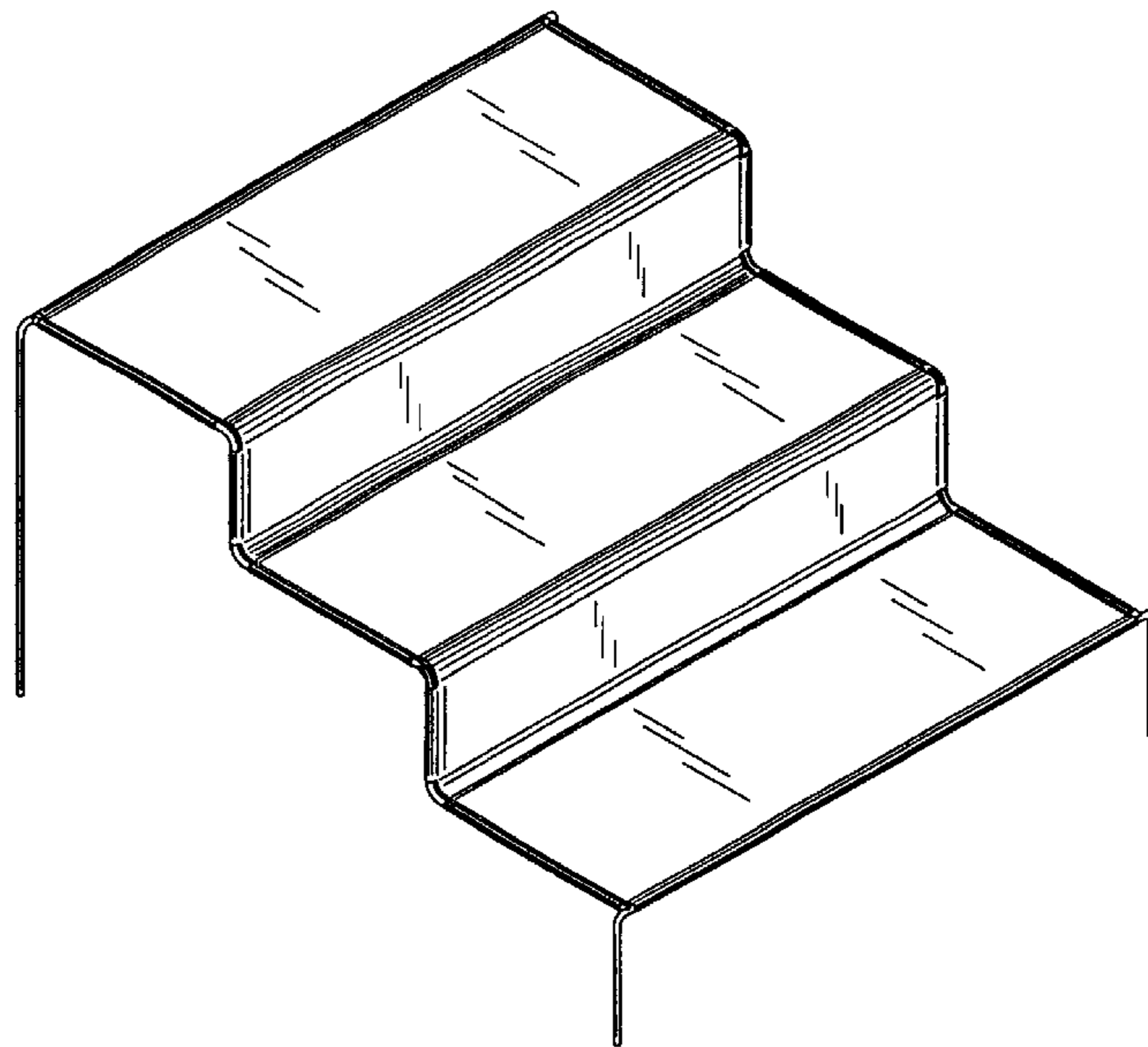


FIG. 8

UNITED STATES PATENT AND TRADEMARK OFFICE
CERTIFICATE OF CORRECTION

PATENT NO. : Des. 518,316 S
APPLICATION NO. : 29/224062
DATED : April 4, 2006
INVENTOR(S) : Gusdorf et al.

Page 1 of 1

It is certified that error appears in the above-identified patent and that said Letters Patent is hereby corrected as shown below:

On The Title Page:

On page one of the Patent No. D518,316, the Assignee is listed as Industrial Wire Projects, Inc.

The correct Assignee is Industrial Wire Products, Inc.

Signed and Sealed this

Eighteenth Day of July, 2006

A handwritten signature in black ink on a dotted background. The signature reads "Jon W. Dudas" in a cursive style.

JON W. DUDAS

Director of the United States Patent and Trademark Office