



US00D518313S

(12) **United States Design Patent**
Chou

(10) **Patent No.:** **US D518,313 S**

(45) **Date of Patent:** **** Apr. 4, 2006**

(54) **DISPLAY CABINET**

(76) **Inventor:** **Yen-Chiu Chou**, 12F-4, No. 666, Sec.
2 Wu Chuan Hsi Rd., Nan Tun Dist.,
Taichung City (TW)

(**) **Term:** **14 Years**

(21) **Appl. No.:** **29/226,044**

(22) **Filed:** **Mar. 24, 2005**

(30) **Foreign Application Priority Data**

Oct. 8, 2004 (TW) 93305911

(51) **LOC (8) Cl.** **06-04**

(52) **U.S. Cl.** **D6/470; D6/438**

(58) **Field of Classification Search** D6/432,
D6/436-441, 445-448, 470; 312/114, 196,
312/204, 224

See application file for complete search history.

(56) **References Cited**

U.S. PATENT DOCUMENTS

- D371,016 S * 6/1996 Walters et al. D6/436
- D387,221 S * 12/1997 Keller D6/436
- D387,924 S * 12/1997 Rosebrock D6/436
- D430,751 S * 9/2000 Cain D6/436

- D434,927 S * 12/2000 Chu et al. D6/446
- D439,763 S * 4/2001 McDaniel et al. D6/436
- D441,216 S * 5/2001 Vaaler D6/436
- D445,601 S * 7/2001 O'Hare et al. D6/470
- D458,052 S * 6/2002 O'Hare et al. D6/470
- D465,944 S * 11/2002 Jackson D6/446
- D479,061 S * 9/2003 Vaaler D6/470

* cited by examiner

Primary Examiner—Cathron C. Brooks

(74) *Attorney, Agent, or Firm*—Leong C. Lei

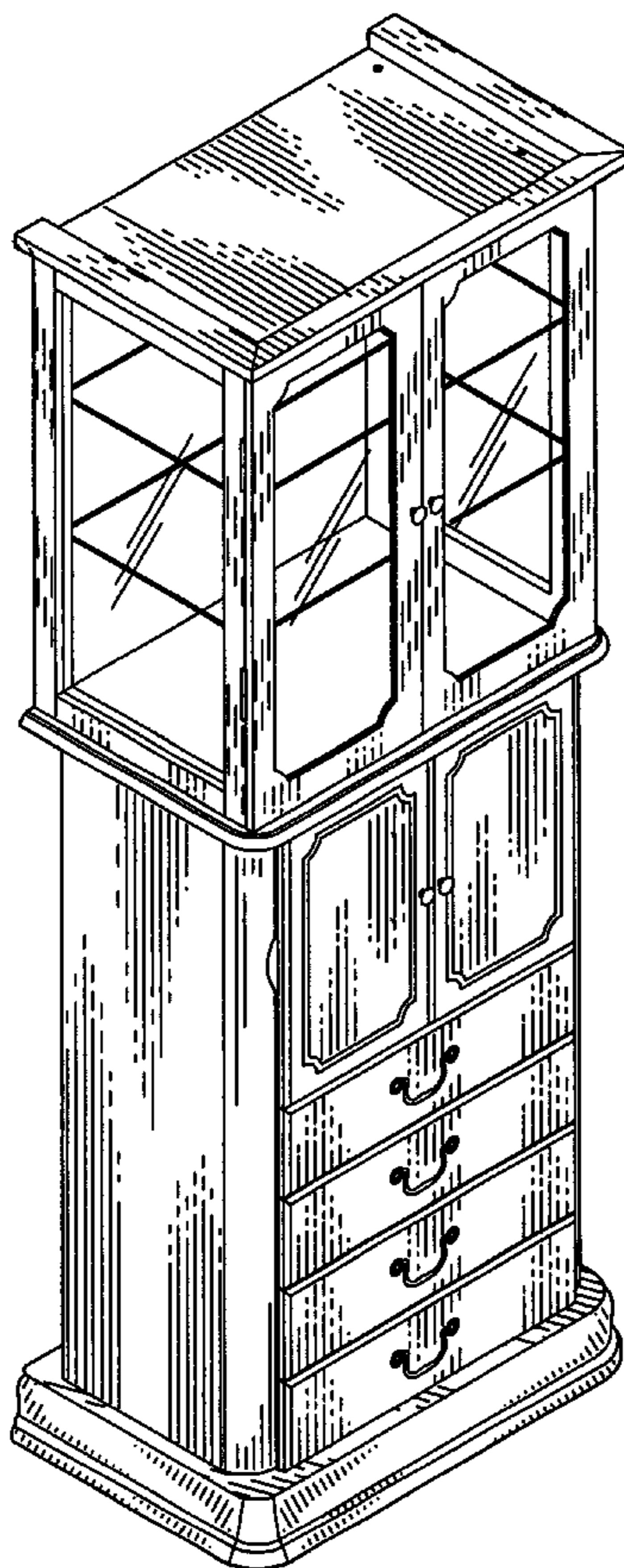
(57) **CLAIM**

The ornamental design for a display cabinet, as shown and described.

DESCRIPTION

FIG. 1 is a perspective view of a display cabinet showing my new design;
 FIG. 2 is a front side elevation view thereof;
 FIG. 3 is a rear side elevation view thereof;
 FIG. 4 is a left side elevation view thereof;
 FIG. 5 is a right side elevation view thereof;
 FIG. 6 is a top plan view thereof; and,
 FIG. 7 is a bottom plan view thereof.

1 Claim, 6 Drawing Sheets



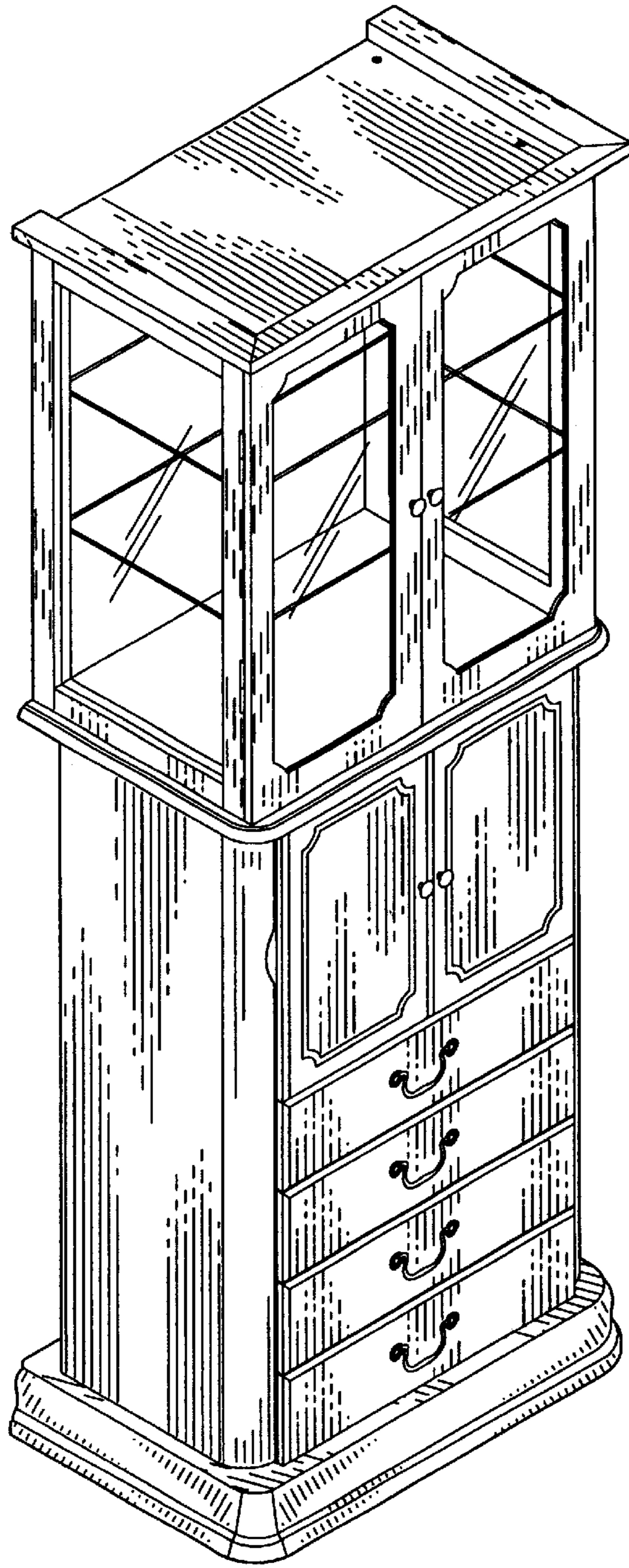


FIG. 1

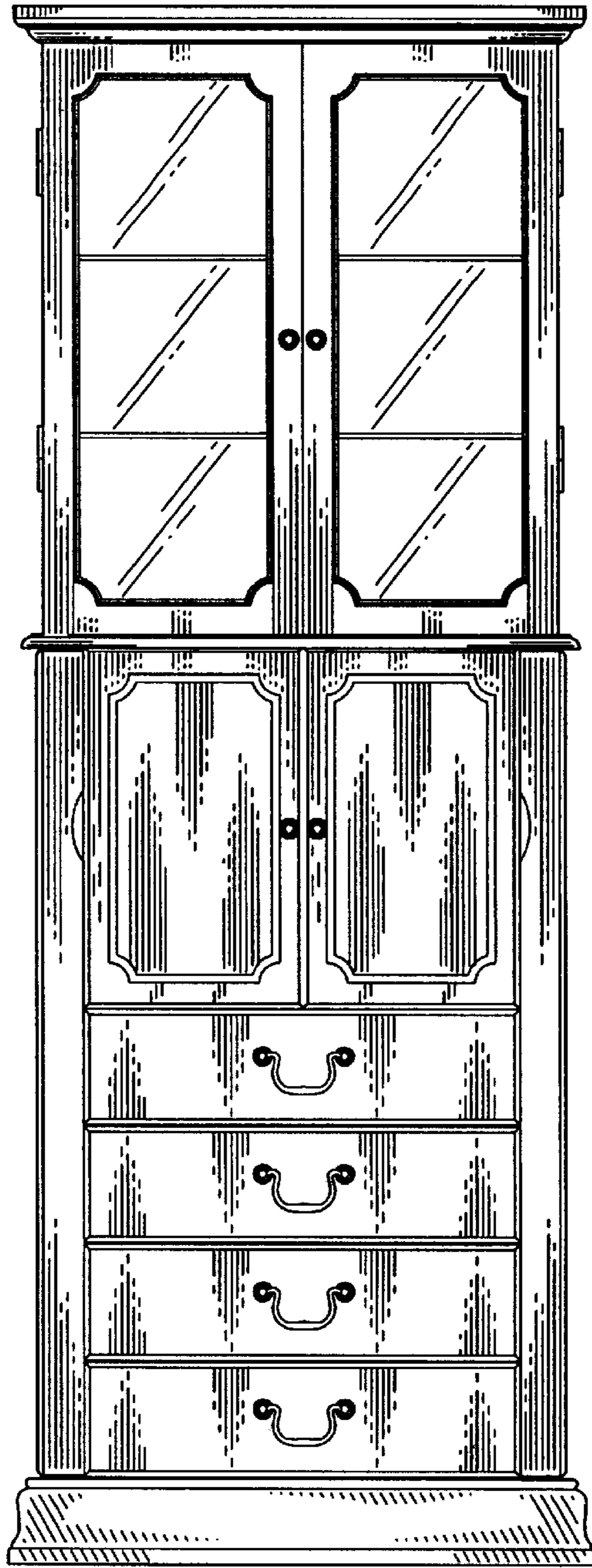


FIG. 2

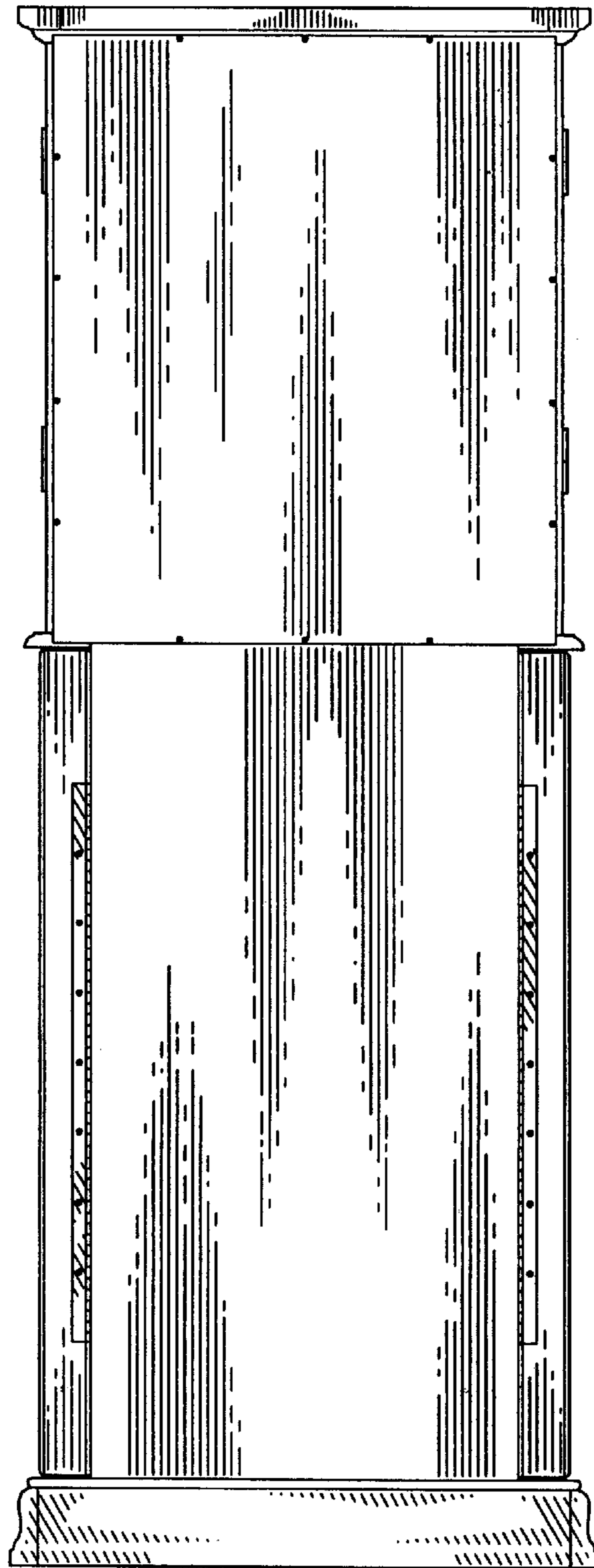


FIG. 3

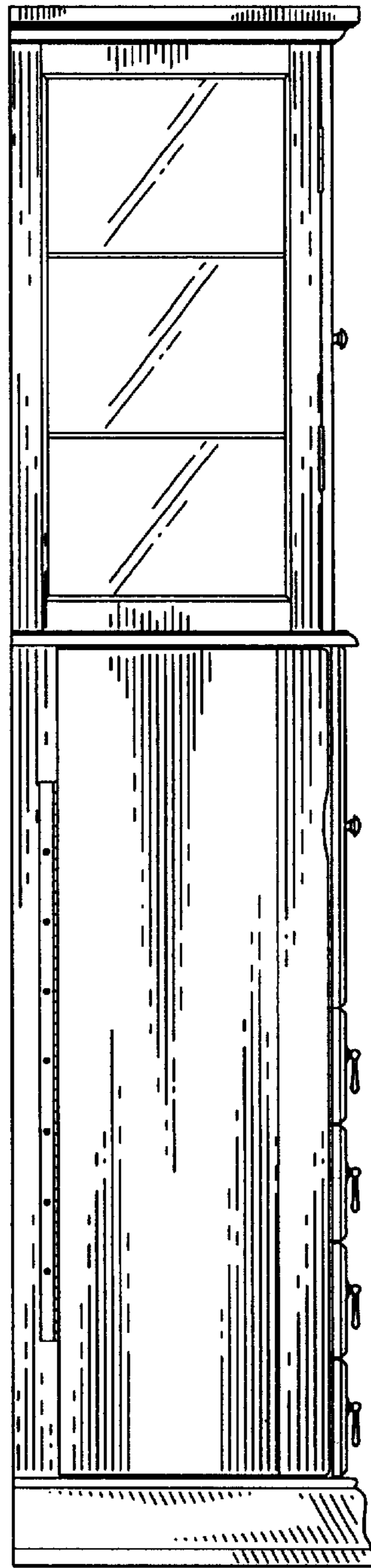


FIG. 4

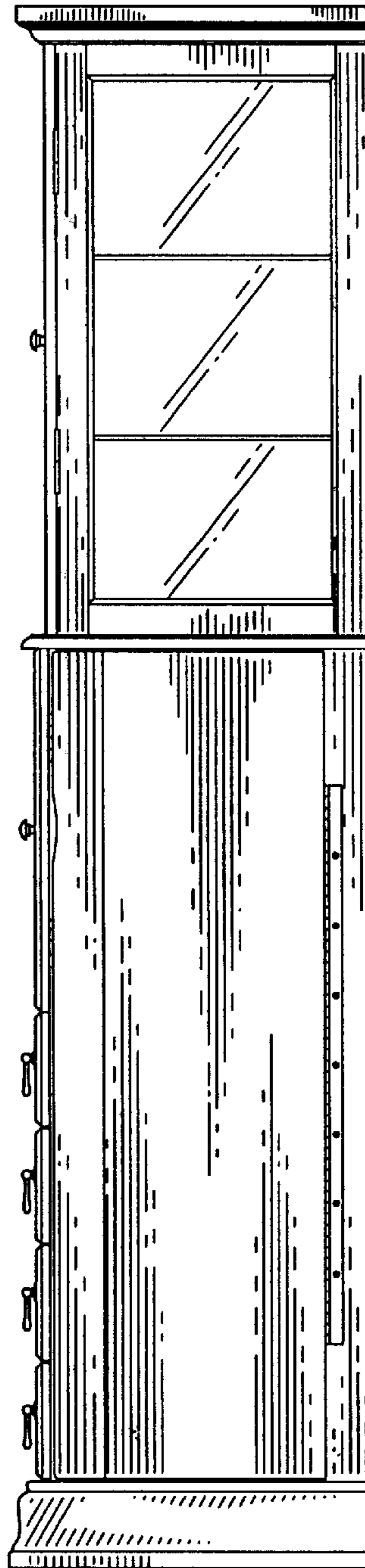


FIG. 5

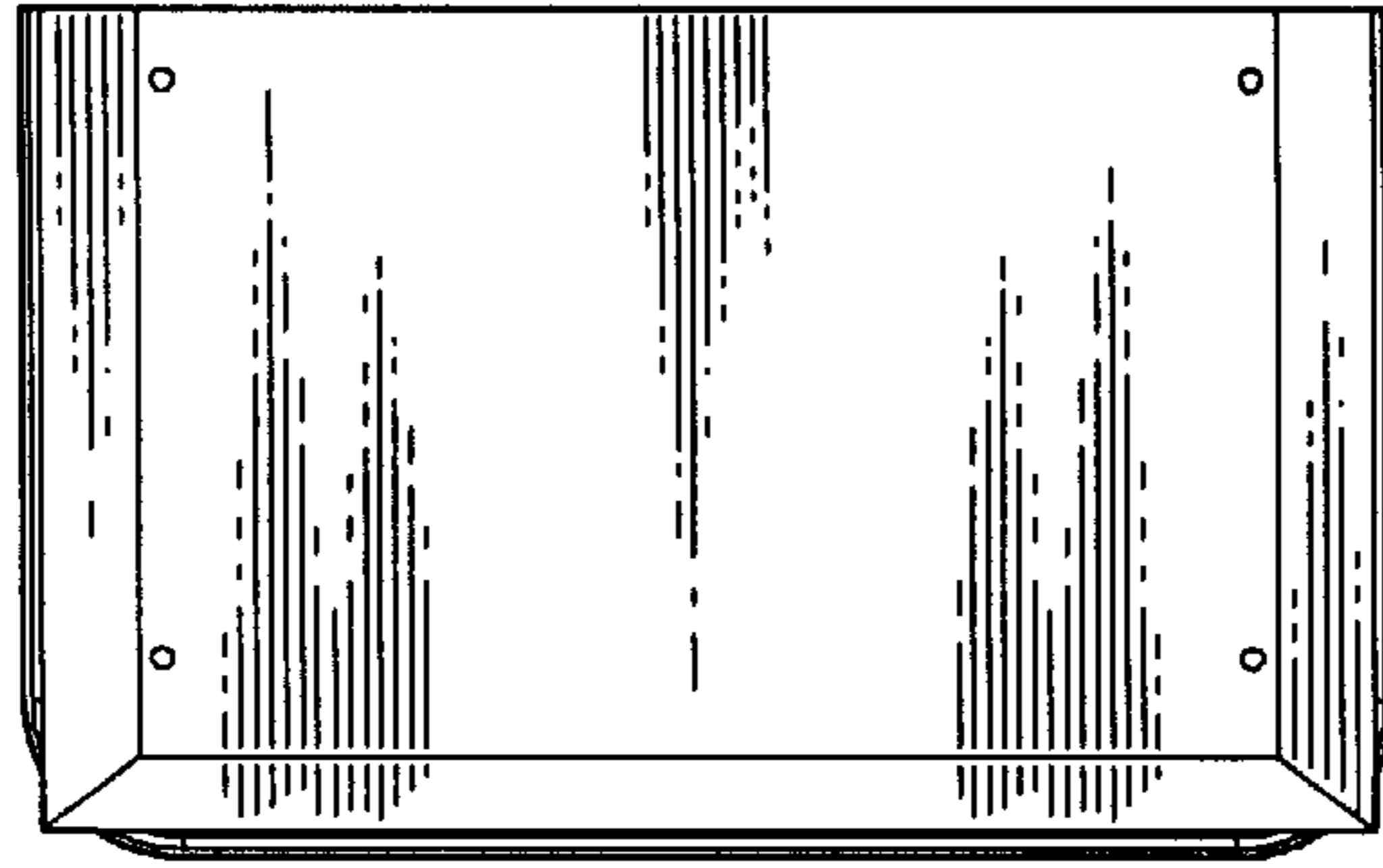


FIG. 6

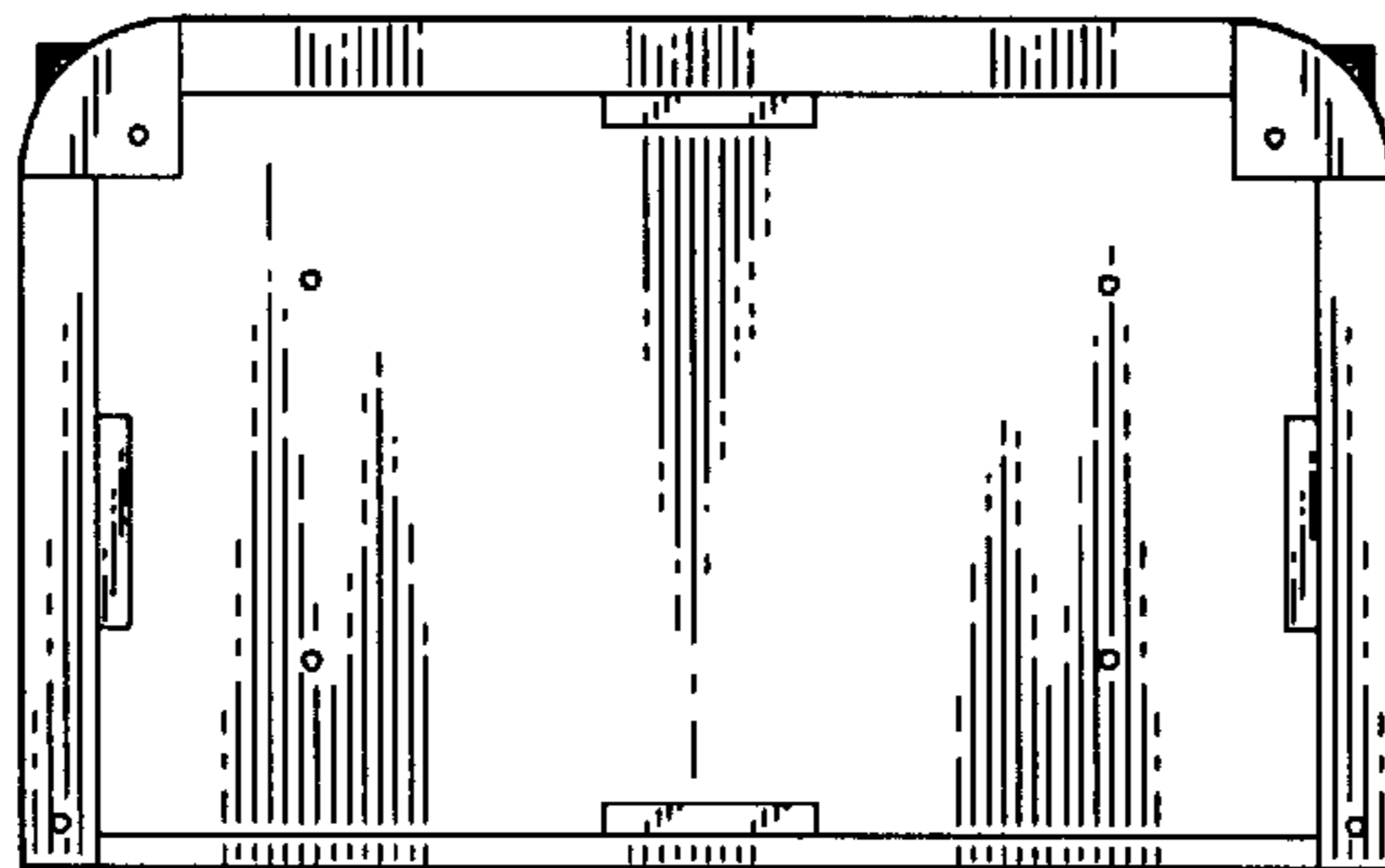


FIG. 7