



US00D518312S

(12) **United States Design Patent**
Auten

(10) **Patent No.:** **US D518,312 S**

(45) **Date of Patent:** **** Apr. 4, 2006**

(54) **COCKTAIL TABLE**

(76) Inventor: **Christopher L. Auten**, 3214 6th Ave.
NE., Conover, NC (US) 28613

(**) Term: **14 Years**

(21) Appl. No.: **29/215,723**

(22) Filed: **Oct. 22, 2004**

(51) **LOC (8) Cl.** **06-04**

(52) **U.S. Cl.** **D6/446**

(58) **Field of Classification Search** D6/434,
D6/436-448; 312/114, 204, 224, 227
See application file for complete search history.

(56) **References Cited**

U.S. PATENT DOCUMENTS

D372,606 S * 8/1996 Stone et al. D6/445
D446,047 S * 8/2001 Stone et al. D6/445

OTHER PUBLICATIONS

Yield House, Shaker Enfield Table, p. 16, 1991.*
Home Decorators Catalog, Burnham Collection Cocktail
Table, p. 29, Summer 2001.*

Shaker Workshops, Sabbathday Lake Tailoring Counter, p.
21, Spring 2003.*

Ethan Allen Collections, Elements Map Coffee Table, p. 68,
2002.*

* cited by examiner

Primary Examiner—Cathron C. Brooks

(74) *Attorney, Agent, or Firm*—Charles W. Calkins;
Kilpatrick Stockton LLP

(57) **CLAIM**

I claim the ornamental design for a cocktail table, as shown
and described.

DESCRIPTION

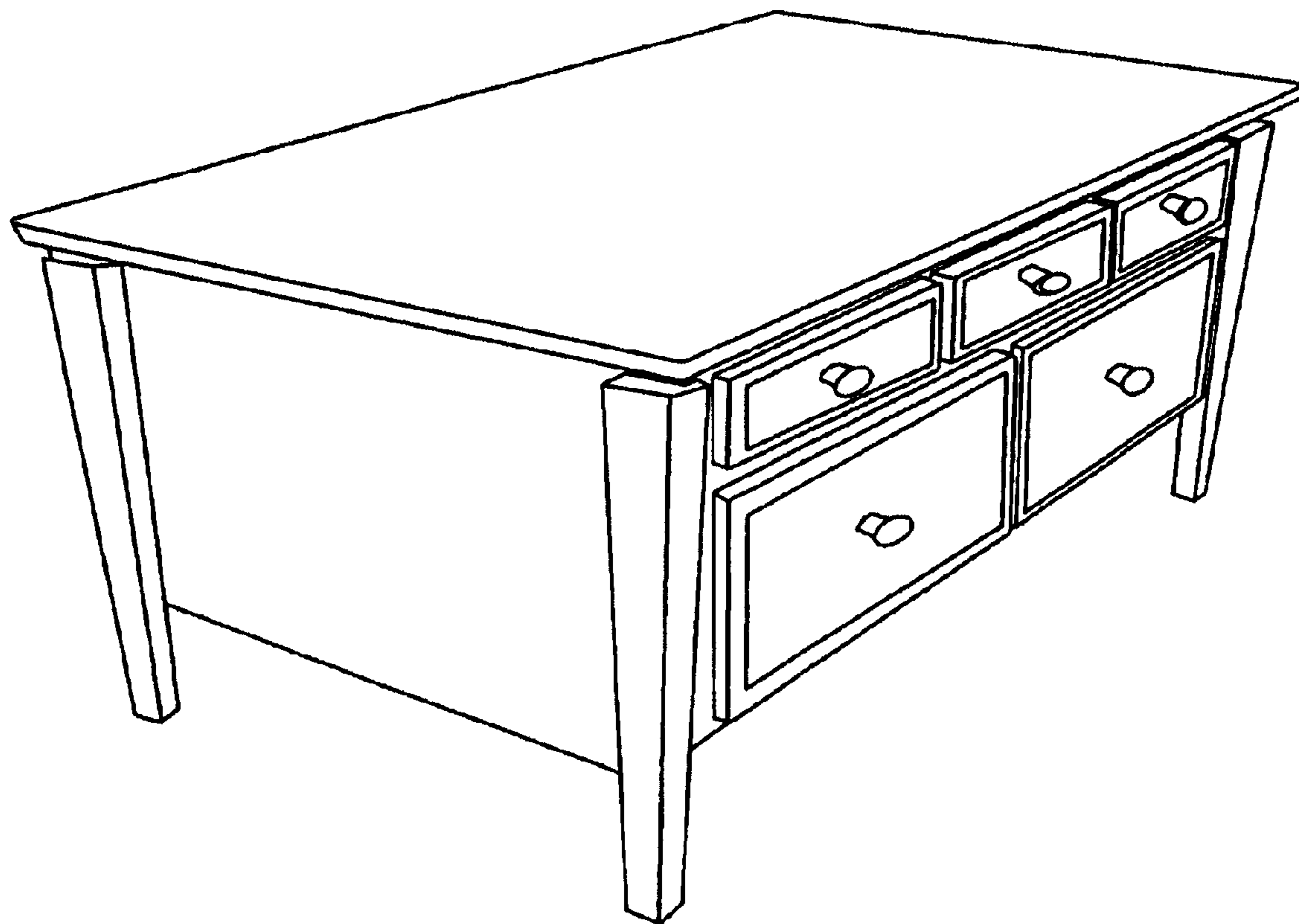
FIG. 1 is a front view of a cocktail table in an embodiment
of the present invention.

FIG. 2 is a left side view of a cocktail table thereof, the right
side view being a mirror image of the left side view.

FIG. 3 is a rear view of a cocktail table thereof; and,

FIG. 4 is a perspective view of a cocktail table thereof.

1 Claim, 4 Drawing Sheets



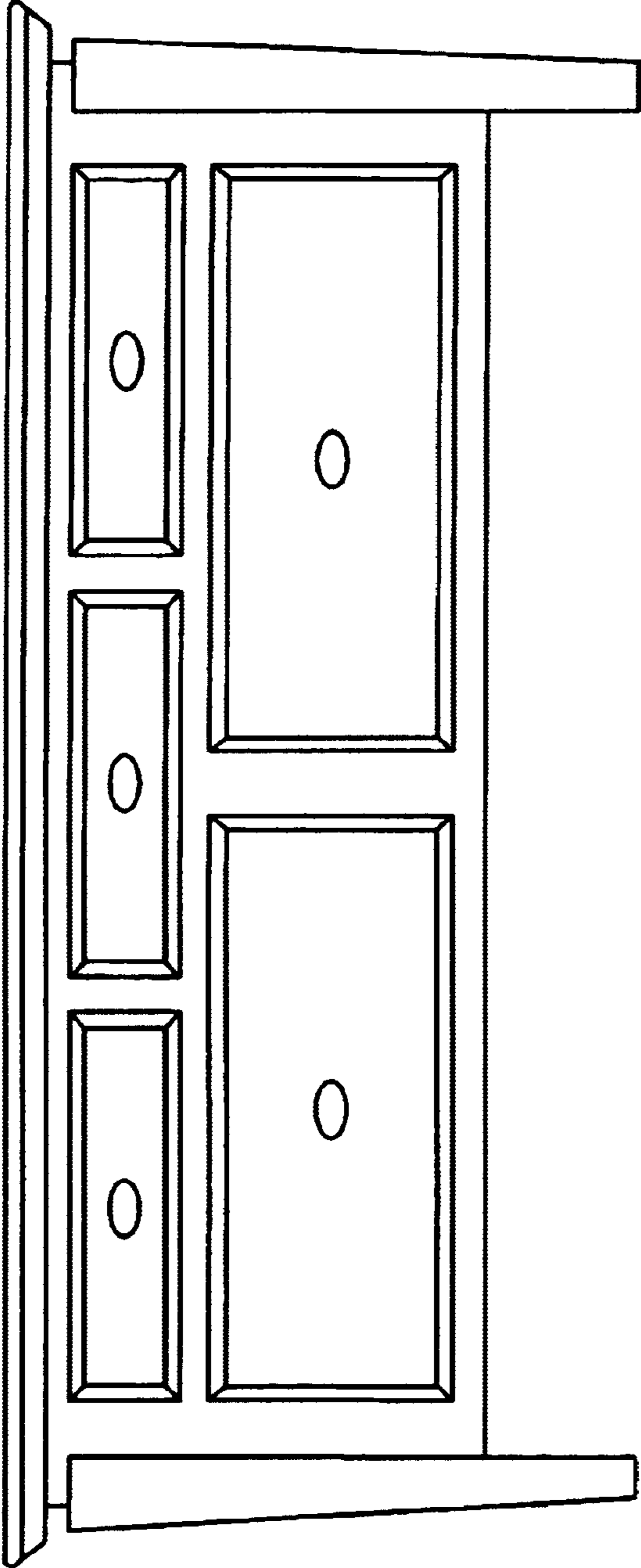


Fig. 1

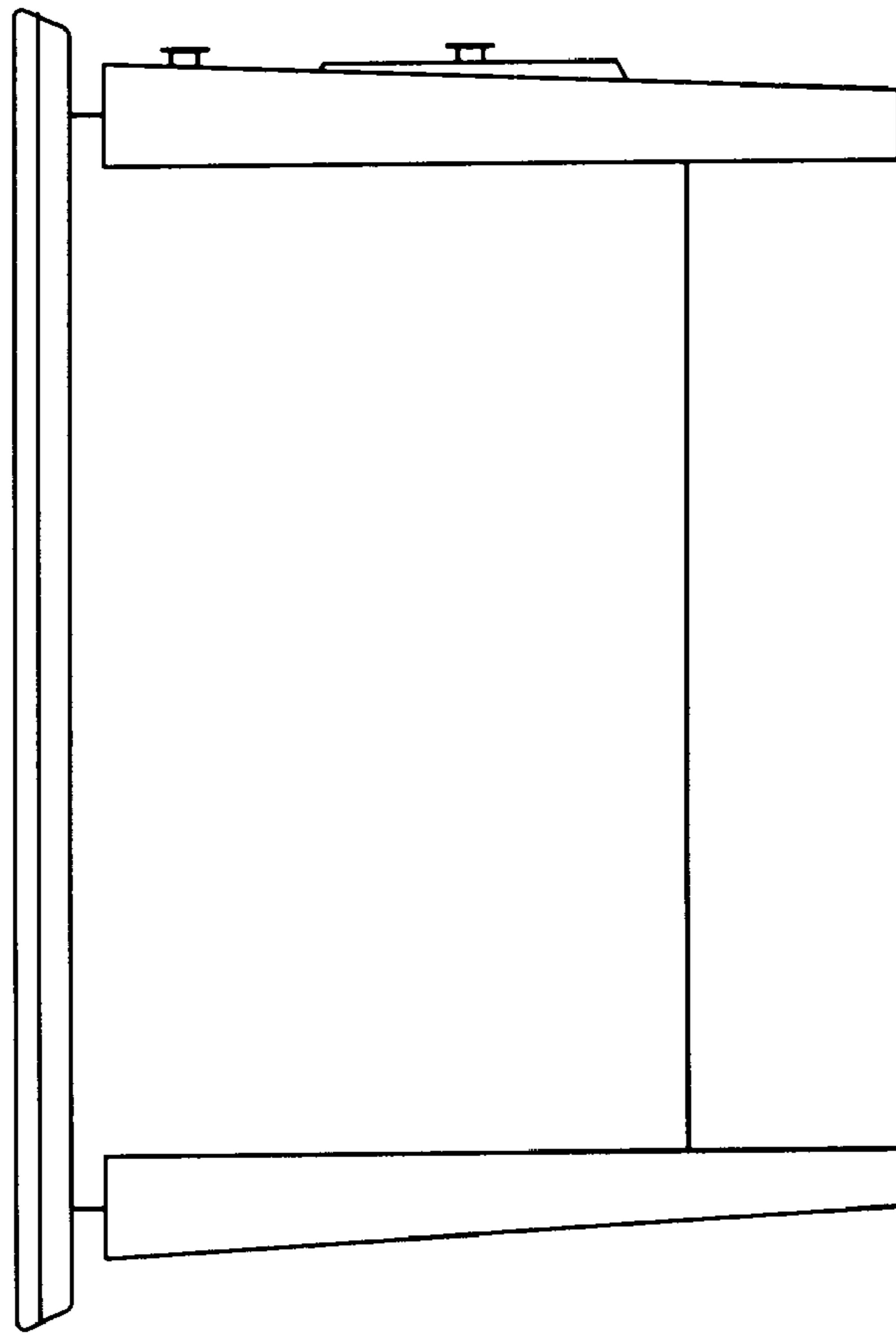


Fig. 2

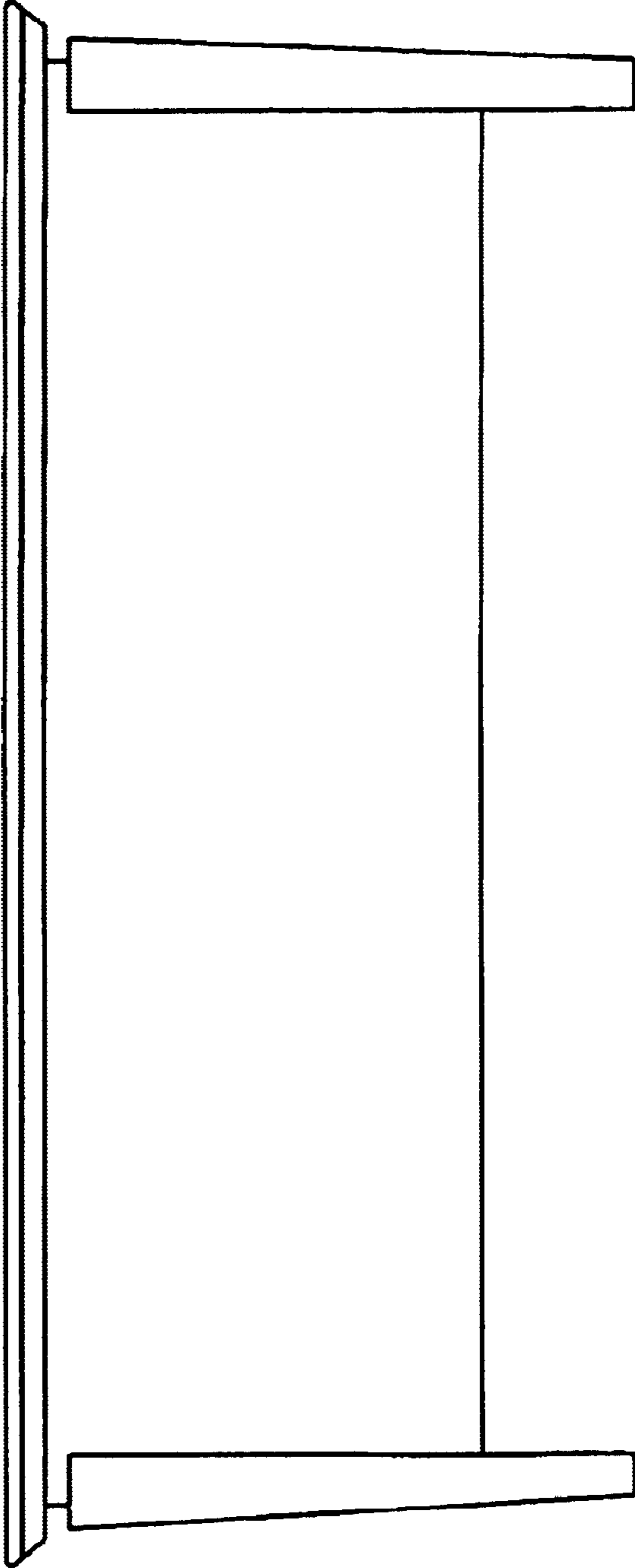


Fig. 3

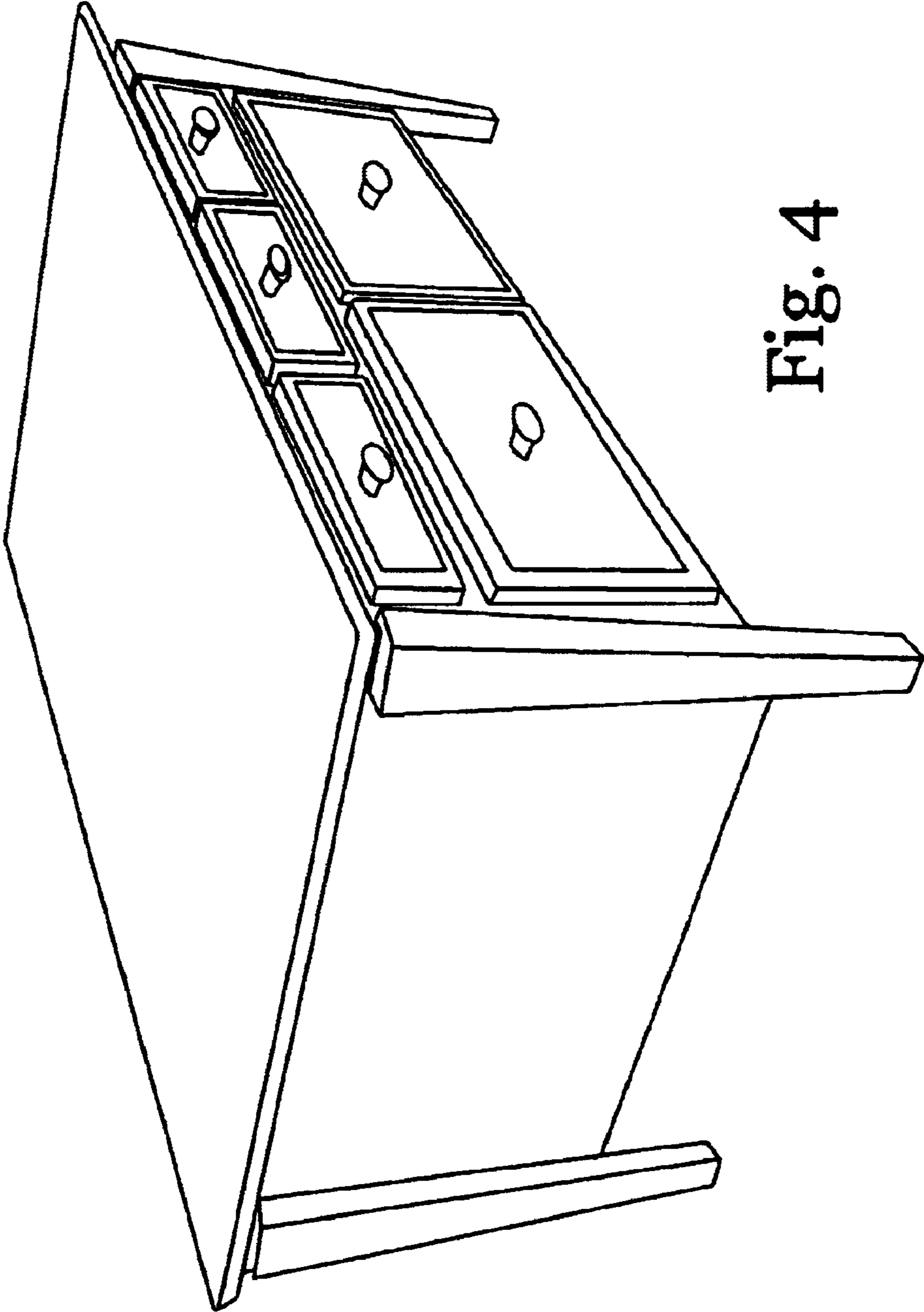


Fig. 4