

US00D518307S

(12) **United States Design Patent**
Stenzel

(10) **Patent No.:** **US D518,307 S**

(45) **Date of Patent:** **** Apr. 4, 2006**

(54) **CD-ROM HOLDER**

(76) **Inventor:** **Alexander Stenzel**, 15332 Antioch St.,
#25, Pacific Palisades, CA (US) 90272

(**) **Term:** **14 Years**

(21) **Appl. No.:** **29/210,896**

(22) **Filed:** **Aug. 5, 2004**

(51) **LOC (8) Cl.** **06-04**

(52) **U.S. Cl.** **D6/407**

(58) **Field of Classification Search** D3/218,
D3/270; D6/407, 626–635; 206/18, 307.1,
206/308.1, 308.2, 308.3, 309, 310, 311, 312,
206/313, 445, 749; 312/9.1, 902, 9.9, 9.48,
312/9.55, 9.64, 9.47, 9.53, 328; 211/40
See application file for complete search history.

(56) **References Cited**

U.S. PATENT DOCUMENTS

D205,184 S	7/1966	Johnson	
4,424,904 A	1/1984	Applegate, Jr.	
D272,592 S	2/1984	Woods	
5,035,332 A	7/1991	Stravitz	
5,437,376 A	8/1995	Larsen	
D429,107 S	* 8/2000	Boothe D6/630
D429,578 S	8/2000	Vesco	
6,164,445 A	* 12/2000	Cooper 206/308.1
D456,166 S	* 4/2002	Seltzer D6/407
D480,230 S	* 10/2003	Iglesias D6/407

6,675,960 B1	*	1/2004	Innis	206/308.1
D487,906 S	*	3/2004	Powell et al.	D18/19
2005/0087506 A1	*	4/2005	Jeandemange et al.	211/40
2005/0098513 A1	*	5/2005	Jeandemange et al.	211/40
2005/0109905 A1	*	5/2005	Jeandemange et al.	..	248/309.2

* cited by examiner

Primary Examiner—Celia A. Murphy

(74) *Attorney, Agent, or Firm*—Blakely, Sokoloff Taylor & Zafman

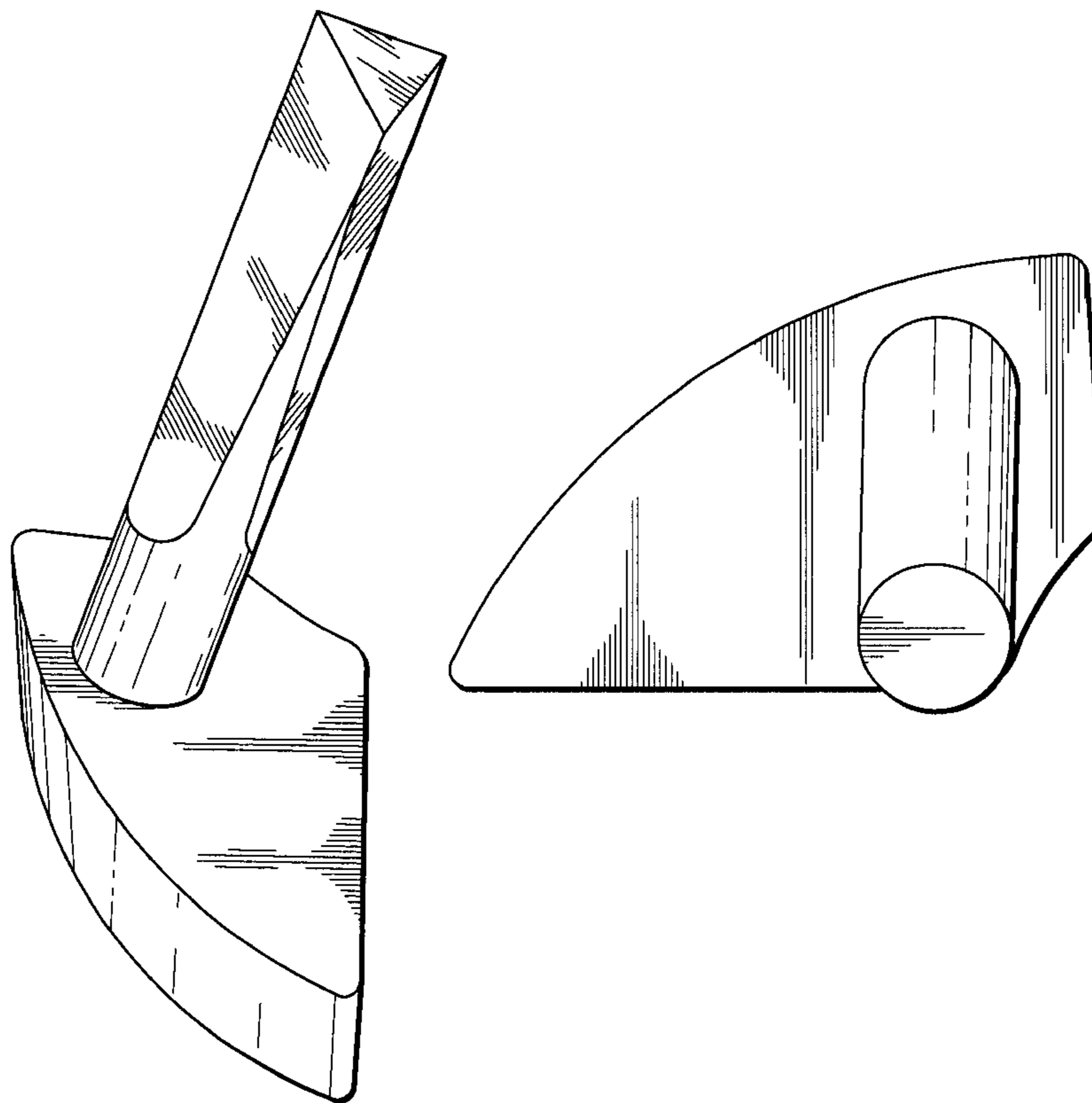
(57) **CLAIM**

The ornamental design for a CD-ROM holder, as shown and described.

DESCRIPTION

FIG. 1 is a perspective view of a CD-ROM holder showing my new design;
FIG. 2 is a front elevation view thereof.
FIG. 3 is a right side elevational view thereof;
FIG. 4 is a left side elevational view thereof;
FIG. 5 is a bottom plan view thereof.
FIG. 6 is a top plan view thereof.
FIG. 7 is a rear elevation view thereof; and,
FIG. 8 is a top plan view of an alternate embodiment thereof, the remaining views being the same as those shown in FIGS. 1–7 excepting that the post extending from the base has a cylindrical configuration.

1 Claim, 3 Drawing Sheets



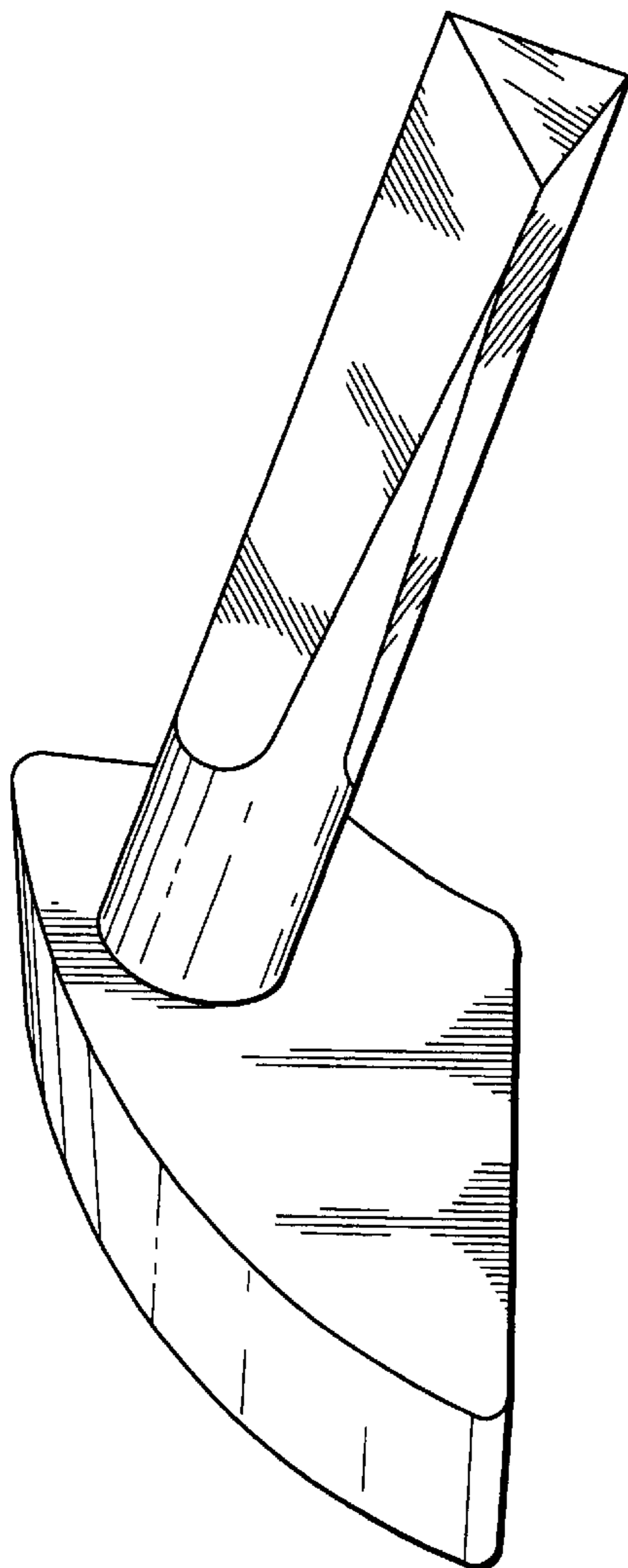
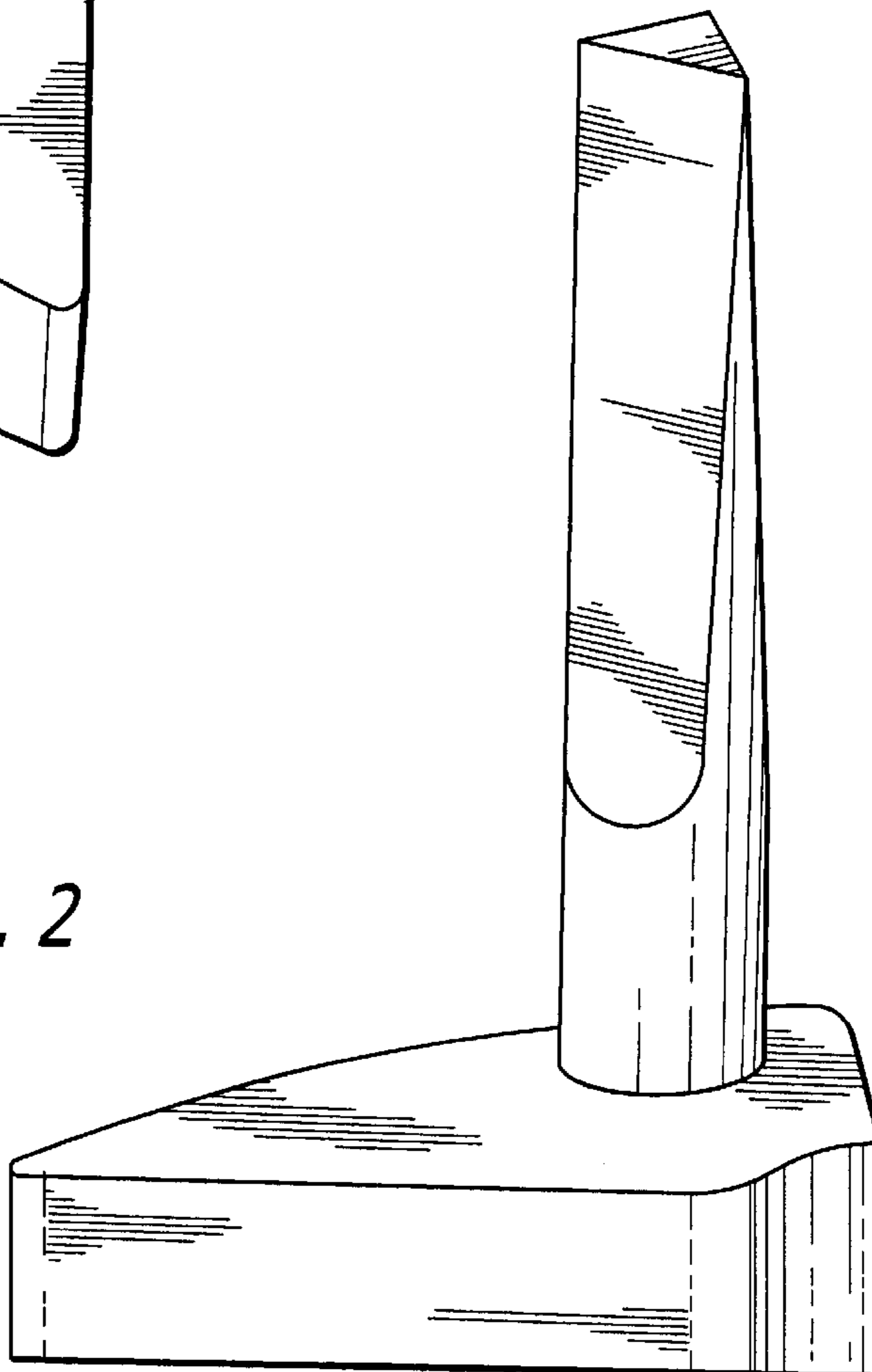


FIG. 1

FIG. 2



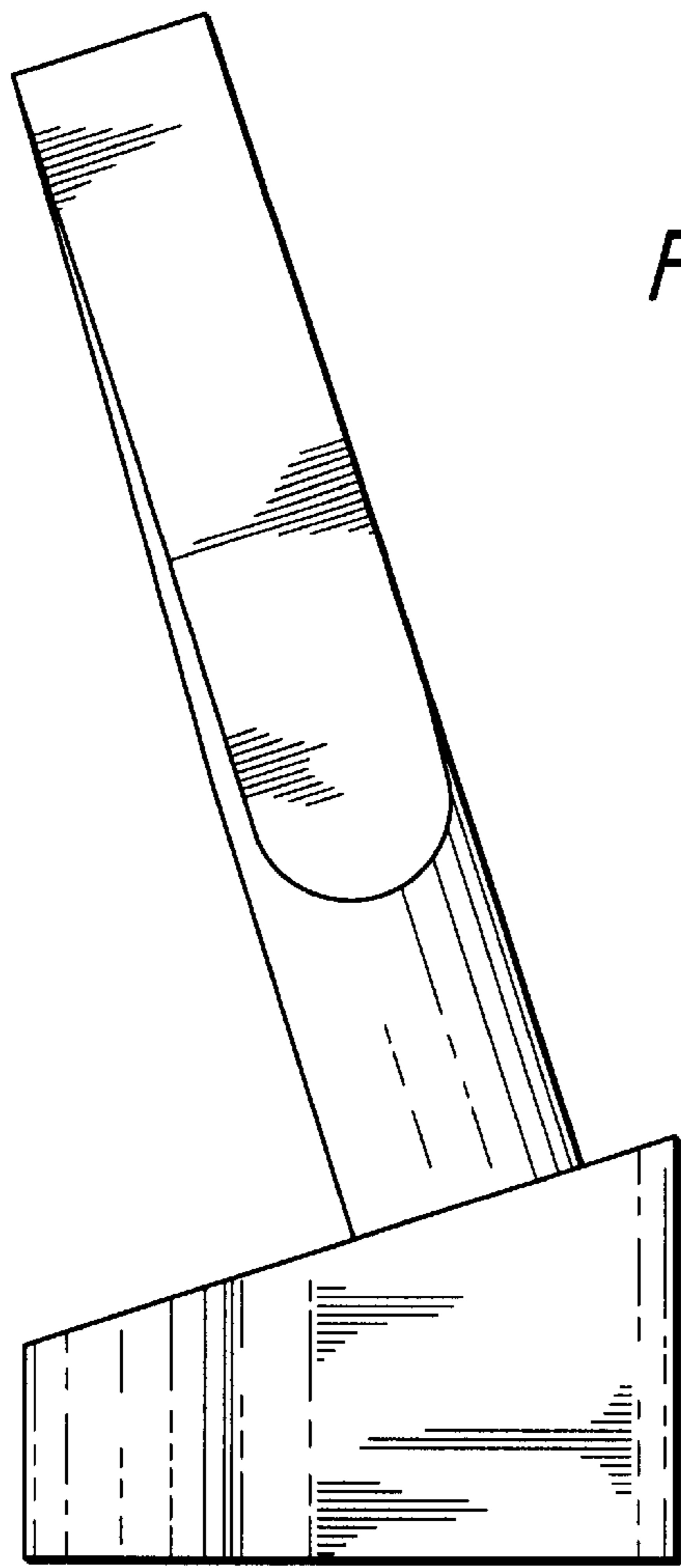
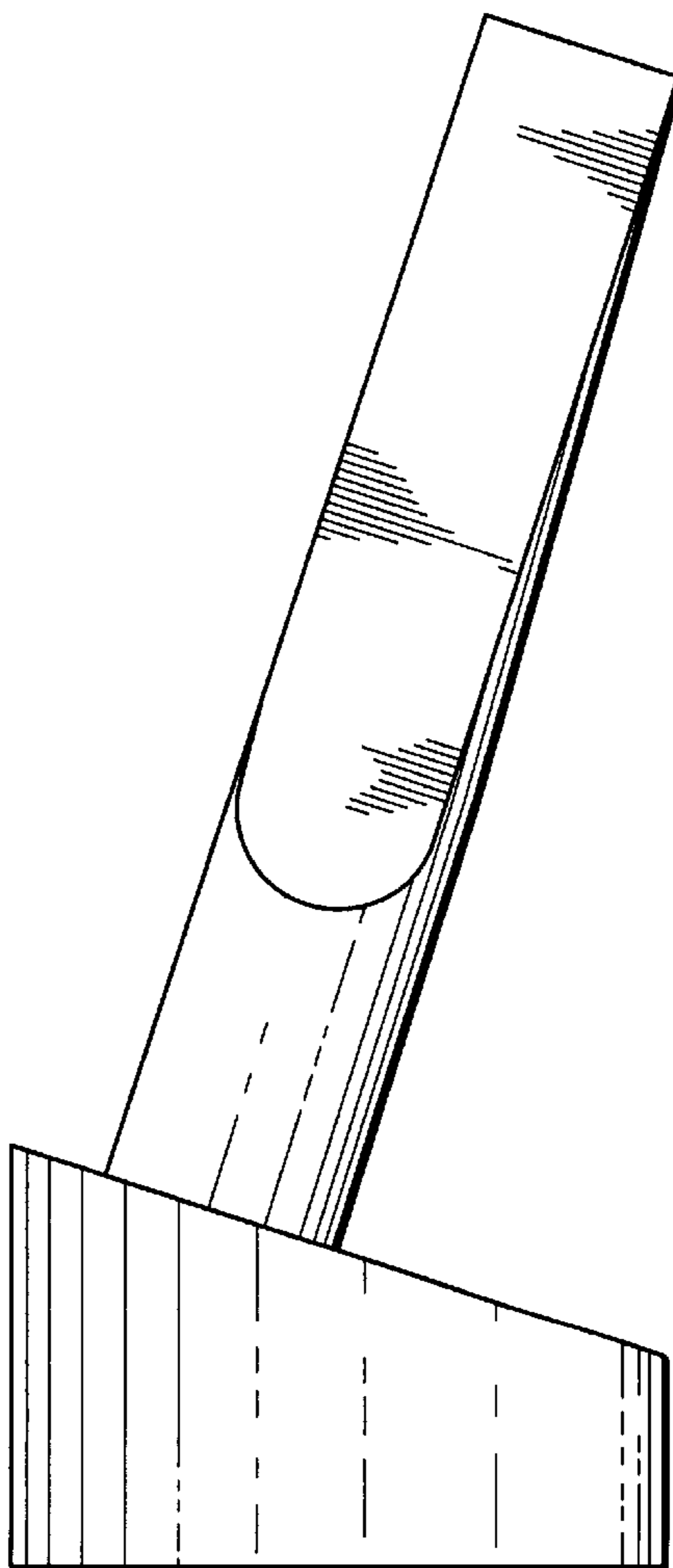


FIG. 3

FIG. 4



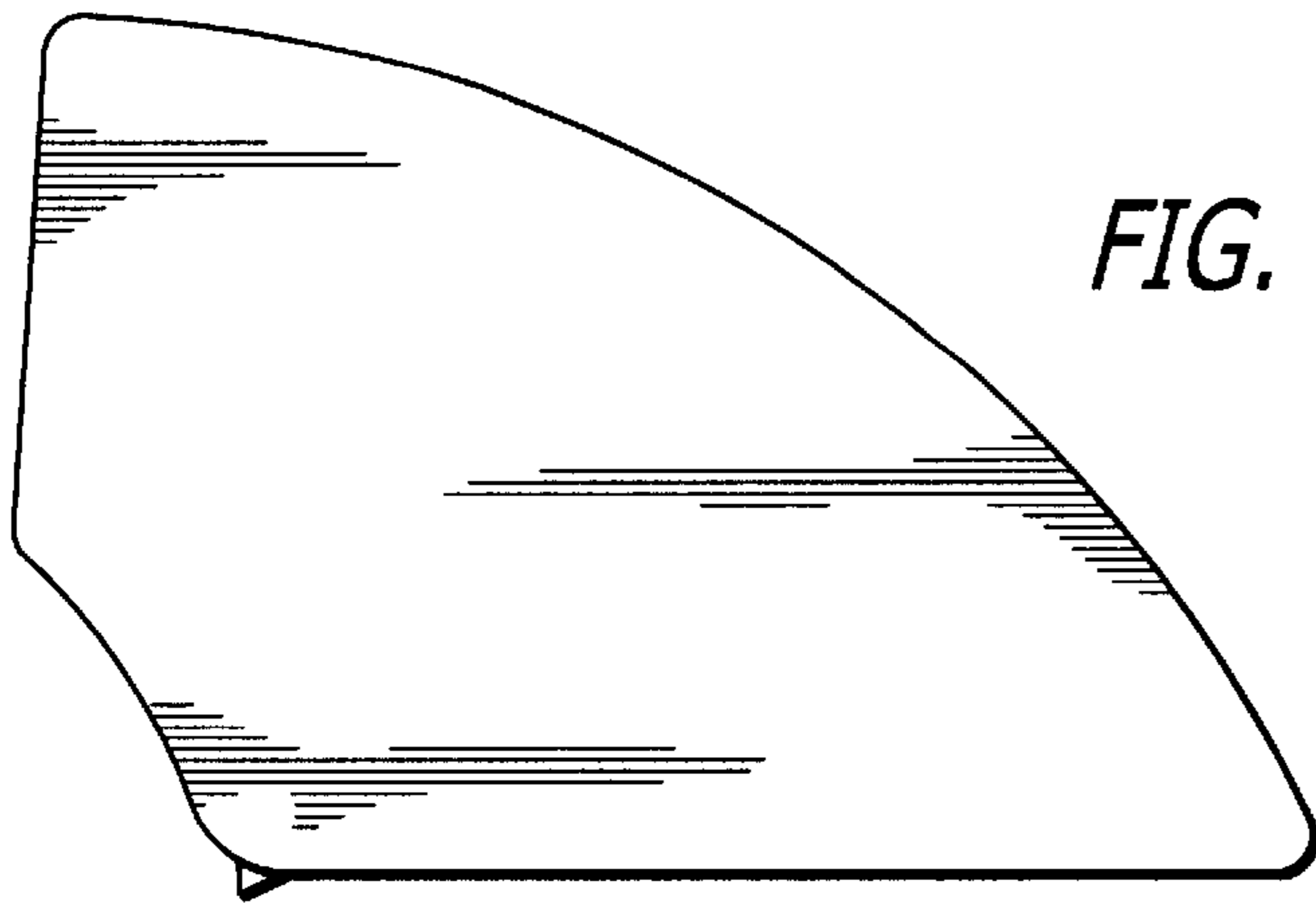


FIG. 5

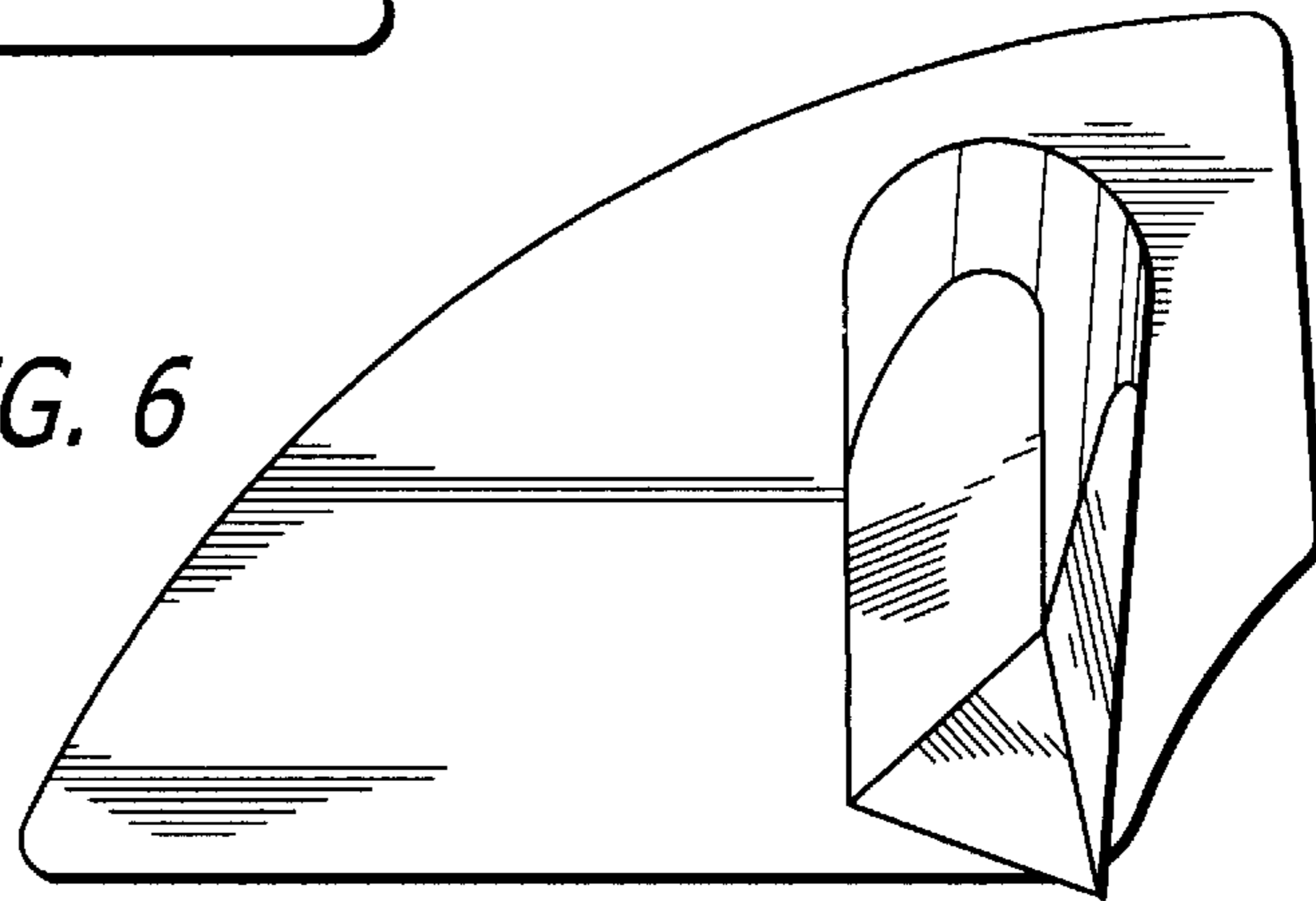


FIG. 6

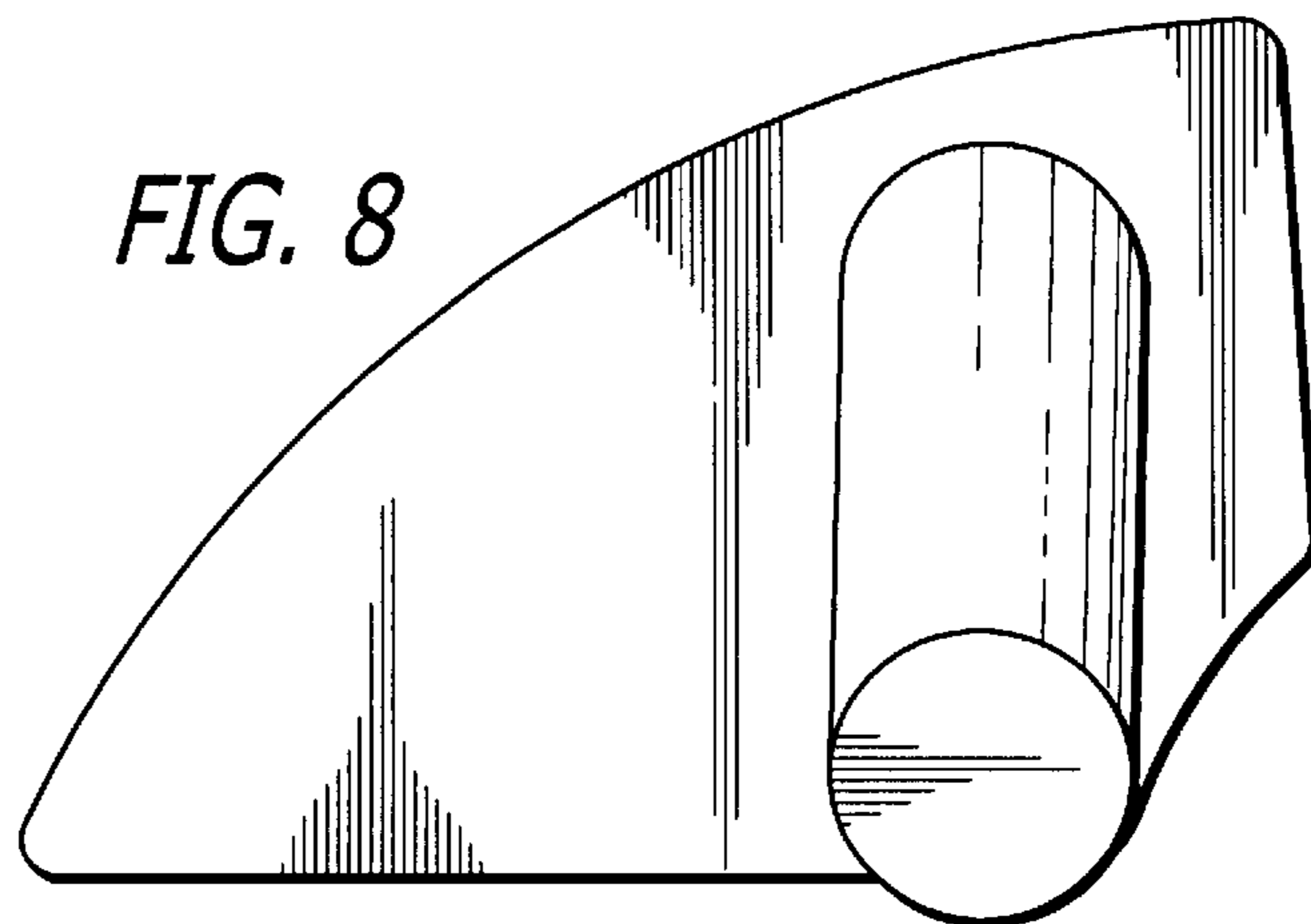


FIG. 8

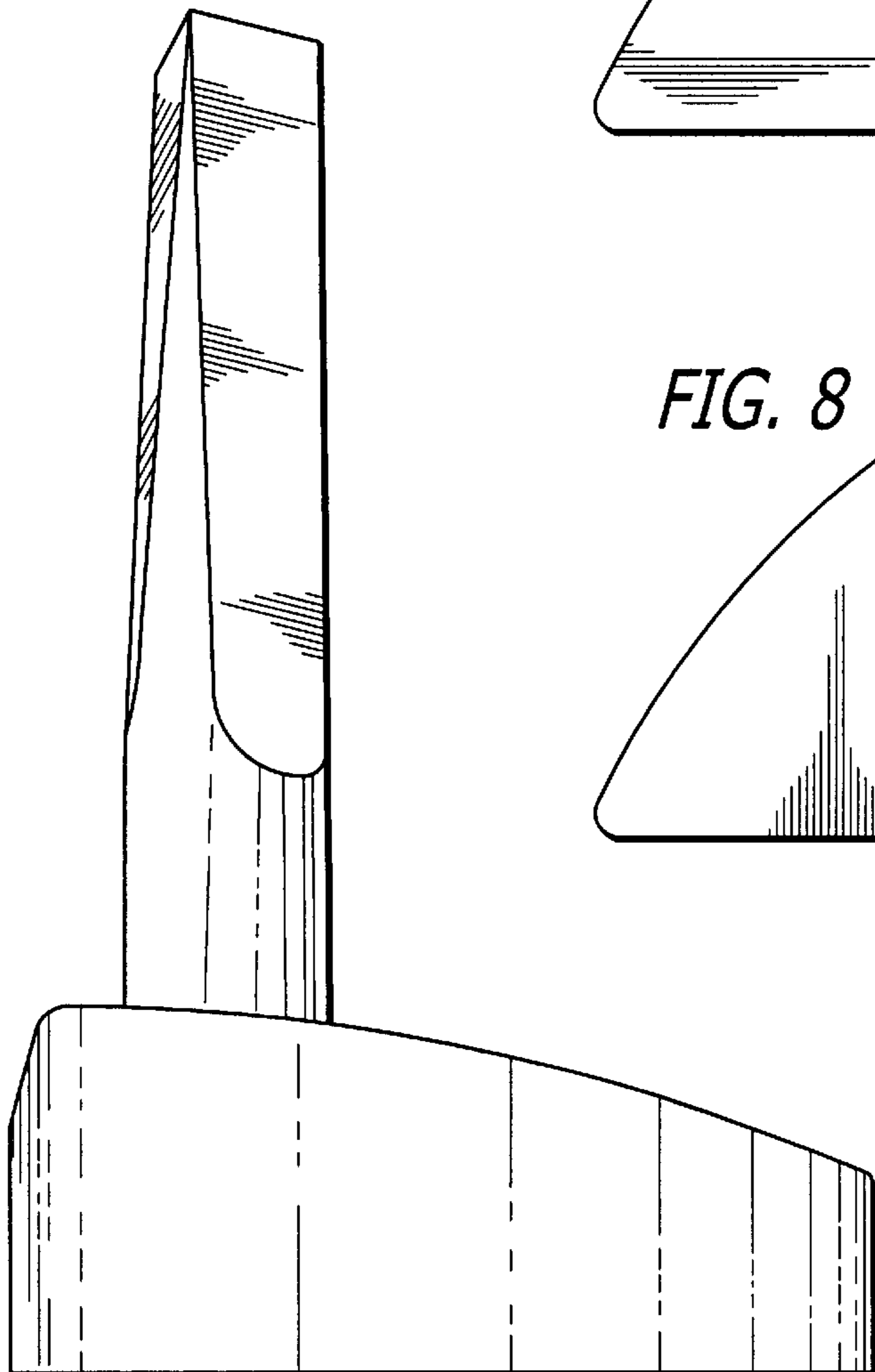


FIG. 7