



US00D518301S

(12) **United States Design Patent**
Ng et al.

(10) **Patent No.:** **US D518,301 S**

(45) **Date of Patent:** **** Apr. 4, 2006**

(54) **MODULAR NESTING SOFA AND OTTOMAN**

(75) Inventors: **Edward Ng**, 931 Massachusetts Ave.,
Suite 604, Cambridge, MA (US) 02139;
Achyut Kantawala, Cambridge, MA
(US)

(73) Assignee: **Edward Ng**, Cambridge, MA (US)

(**) Term: **14 Years**

(21) Appl. No.: **29/202,863**

(22) Filed: **Apr. 6, 2004**

(51) **LOC (8) Cl.** **06-01**

(52) **U.S. Cl.** **D6/335**

(58) **Field of Classification Search** D6/335,
D6/334, 349, 360, 361, 674, 500, 502, 501;
297/423.41, 445

See application file for complete search history.

(56) **References Cited**

U.S. PATENT DOCUMENTS

3,742,526	A	*	7/1973	Lillard	5/12.1
D240,311	S	*	6/1976	Owens	D6/375
4,092,049	A	*	5/1978	Schoblom	297/440.23
D249,304	S	*	9/1978	Nash	D6/361
D273,156	S	*	3/1984	Dubbin et al.	D6/334

D274,576	S	*	7/1984	Tiffany	D6/335
D286,586	S	*	11/1986	Radford	D6/334
D366,966	S	*	2/1996	Bonaddio et al.	D6/335
D372,367	S	*	8/1996	Bonaddio et al.	D6/375
D497,727	S	*	11/2004	Monsalve et al.	D6/355
D503,855	S	*	4/2005	Best	D6/335

* cited by examiner

Primary Examiner—Janice E. Seeger
Assistant Examiner—Sydney R. Buffalow

(57) **CLAIM**

The ornamental design for a “modular nesting sofa and ottoman”, as shown and described.

DESCRIPTION

FIG. 1 is a front Perspective view of sofa and ottoman with cushion accessory

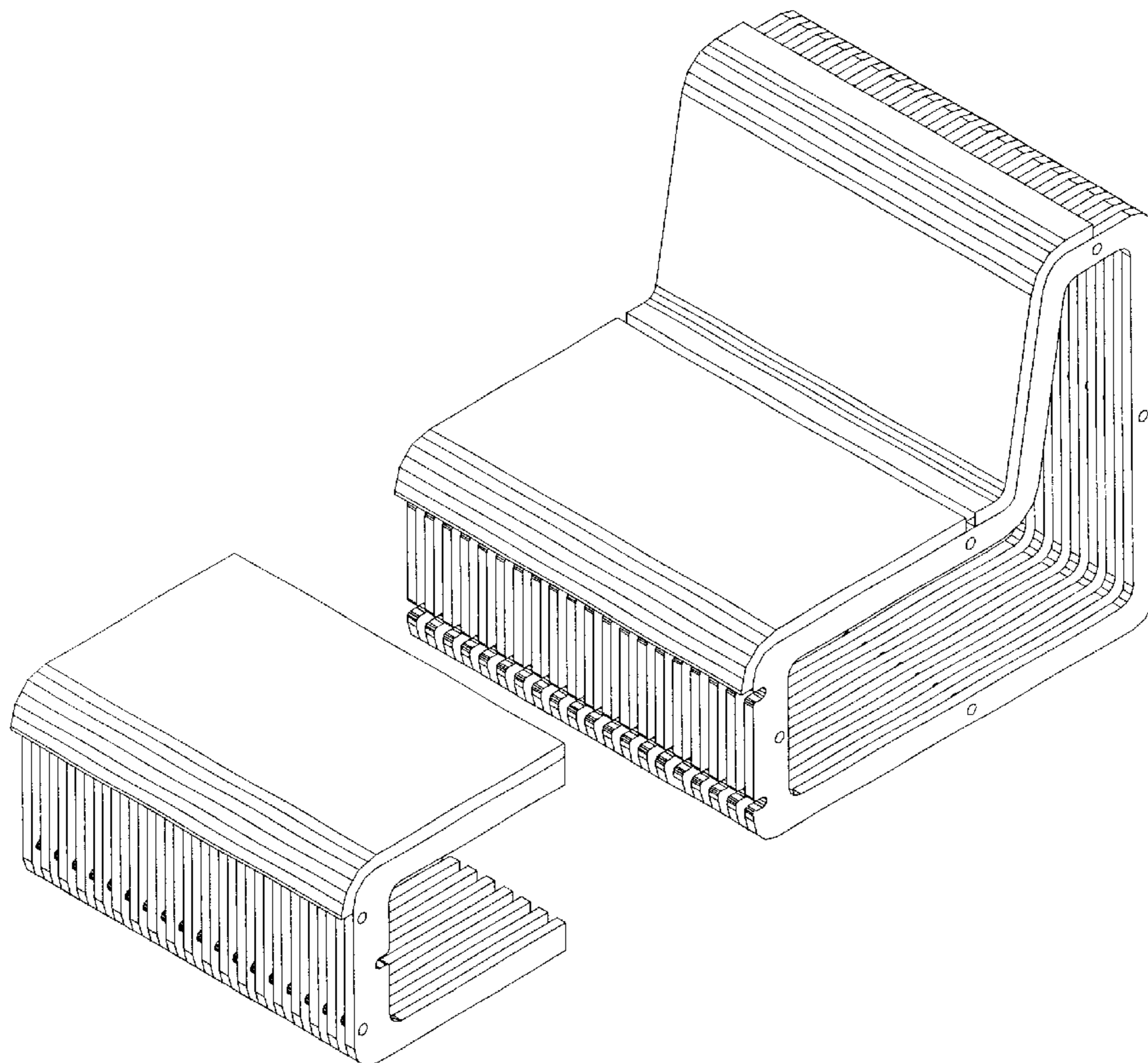
FIG. 2 is a side Elevational view of sofa and ottoman with cushion accessory

FIG. 3 is a back Exploded view of sofa and ottoman with cushion accessory

FIG. 4 is a front Exploded view of sofa and ottoman with cushion accessory; and,

FIG. 5 is a front Perspective view of sofa and ottoman with cushion accessory.

1 Claim, 2 Drawing Sheets



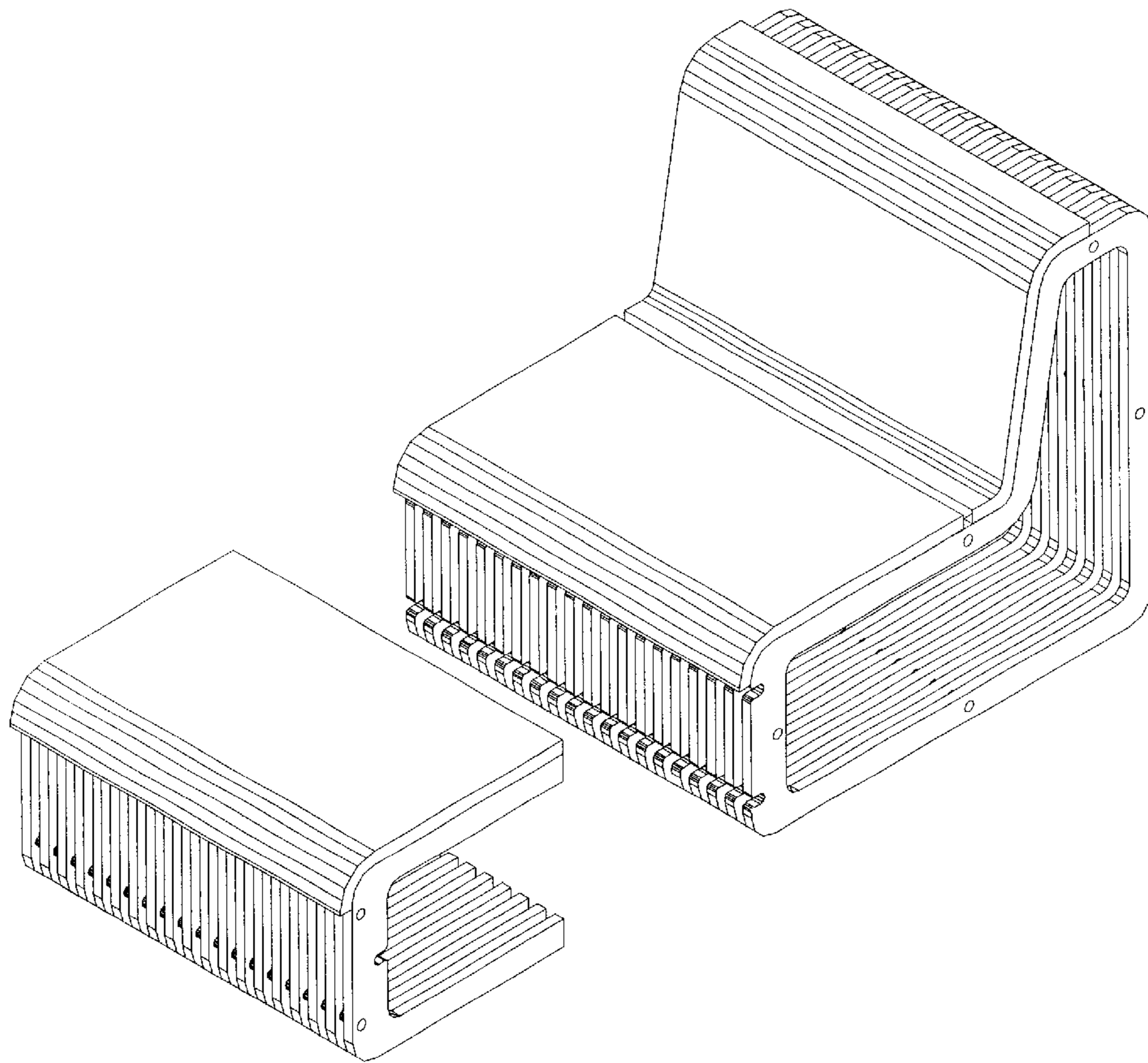


Fig. 1

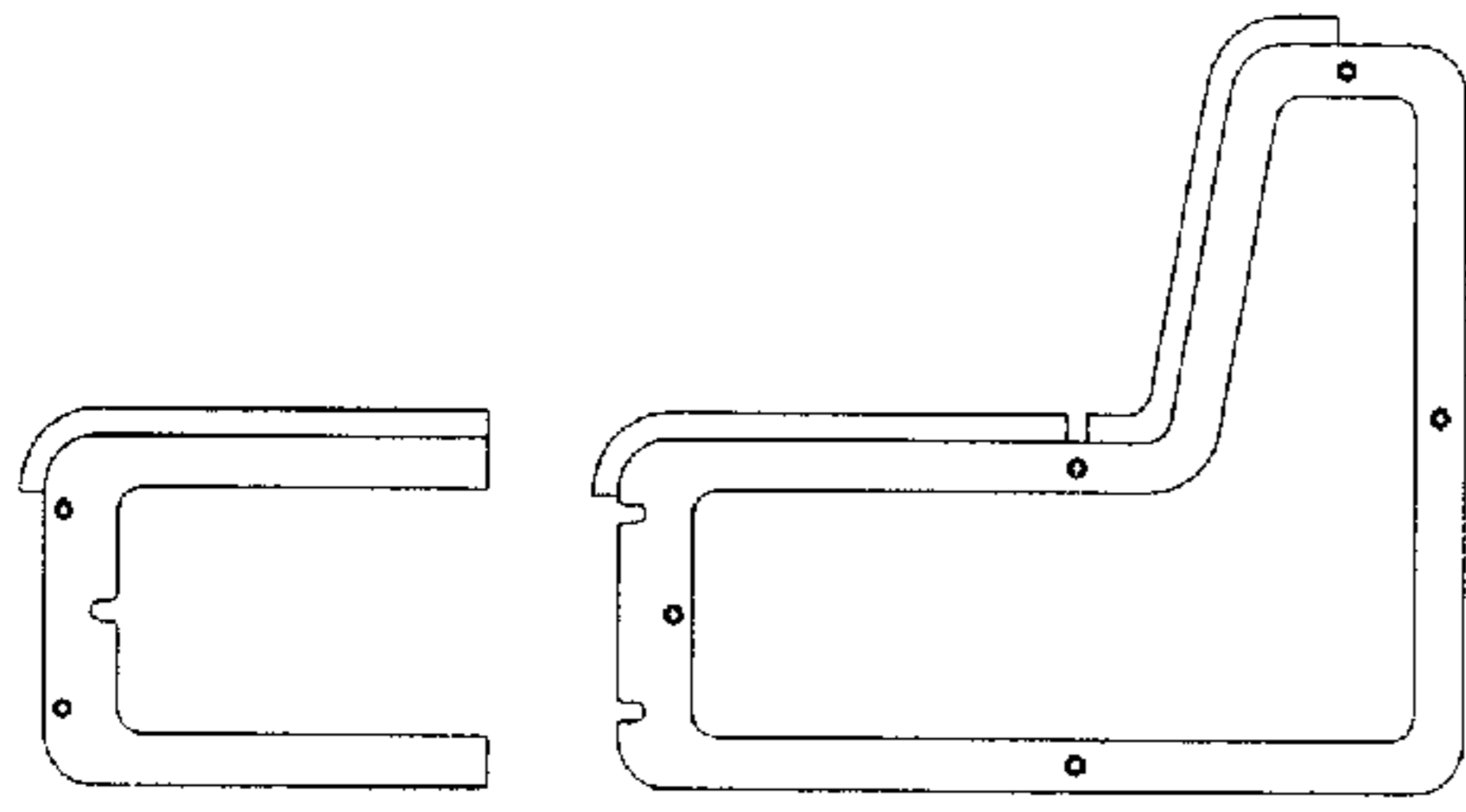


Fig. 2

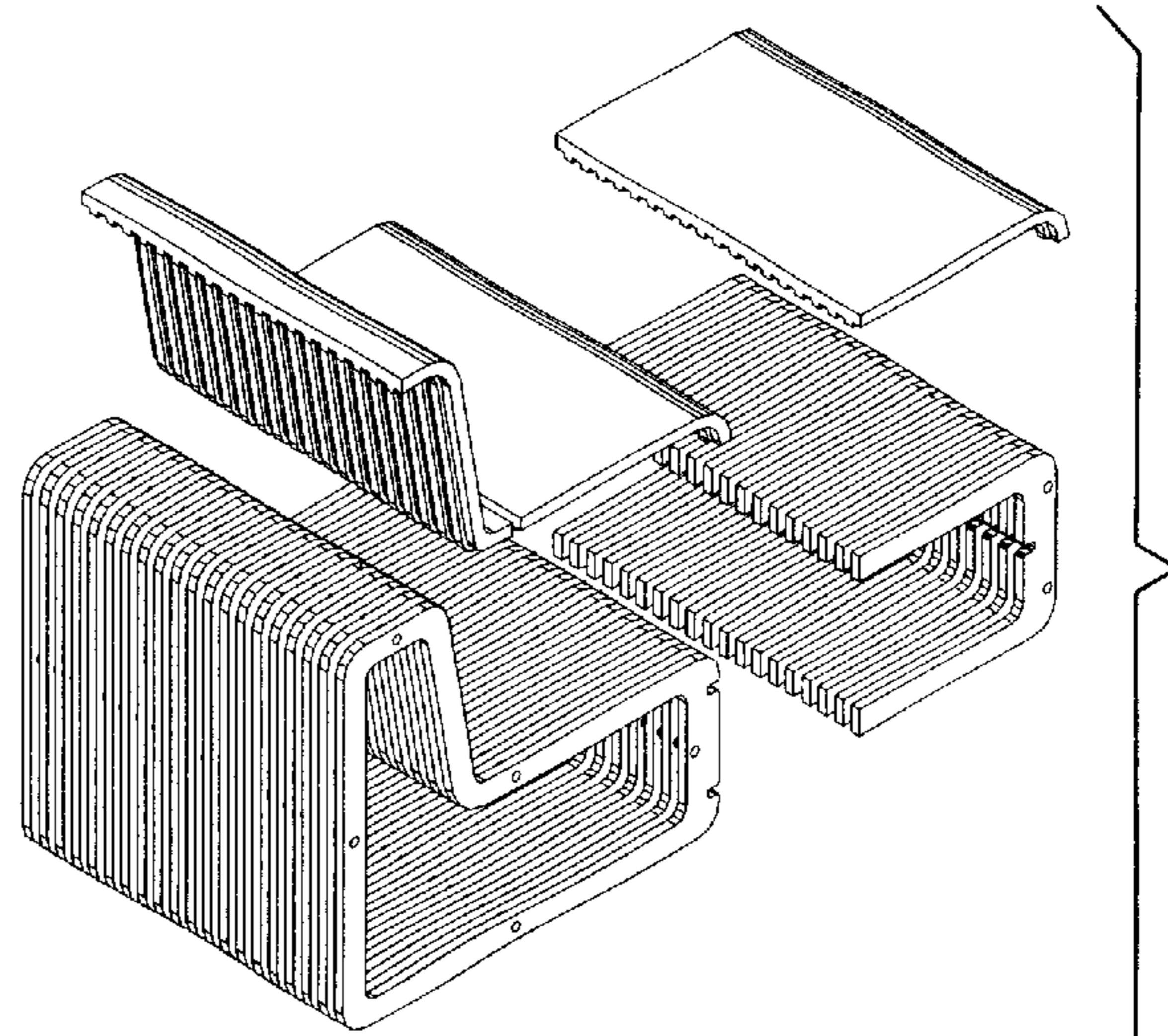


Fig. 3

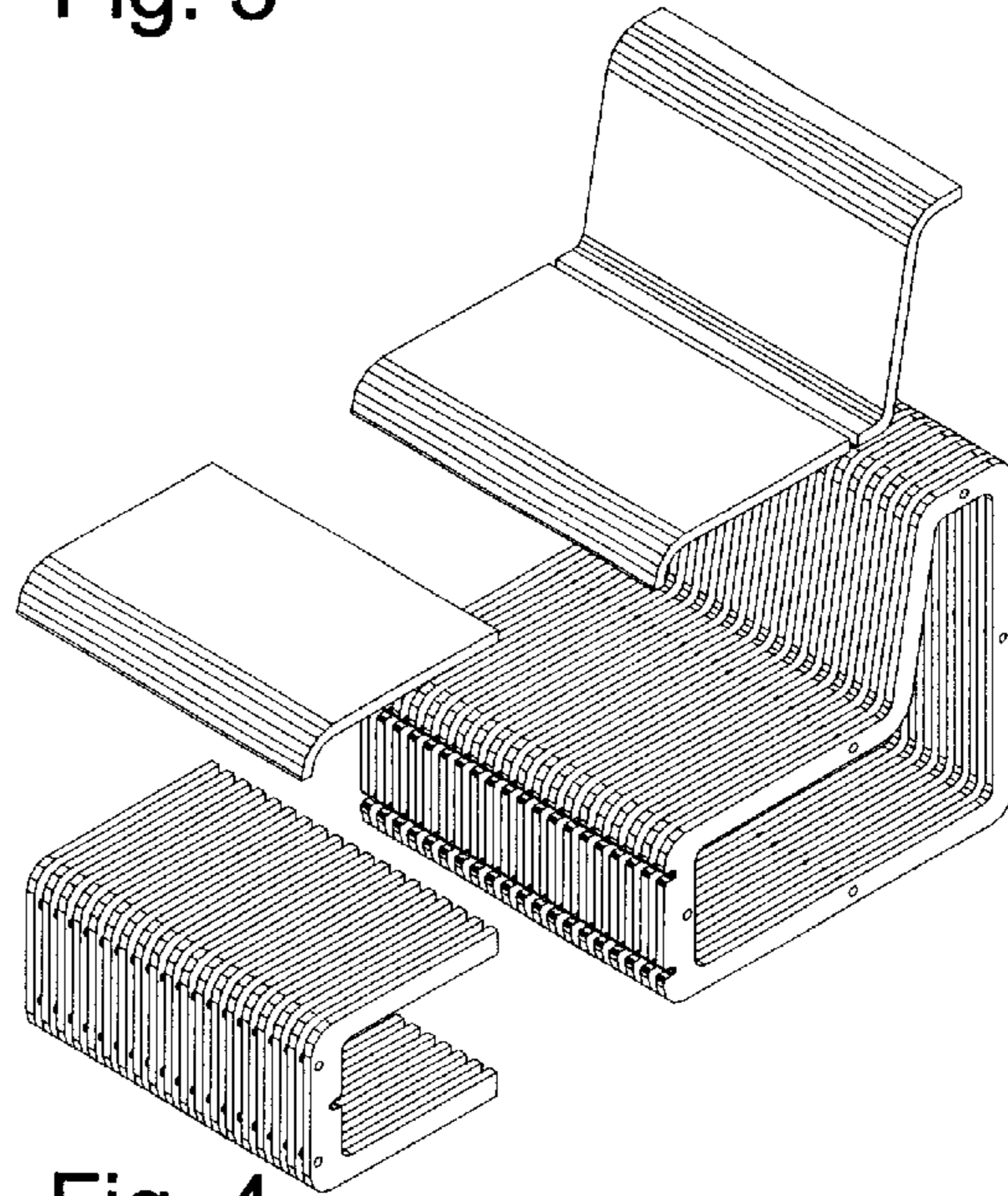


Fig. 4

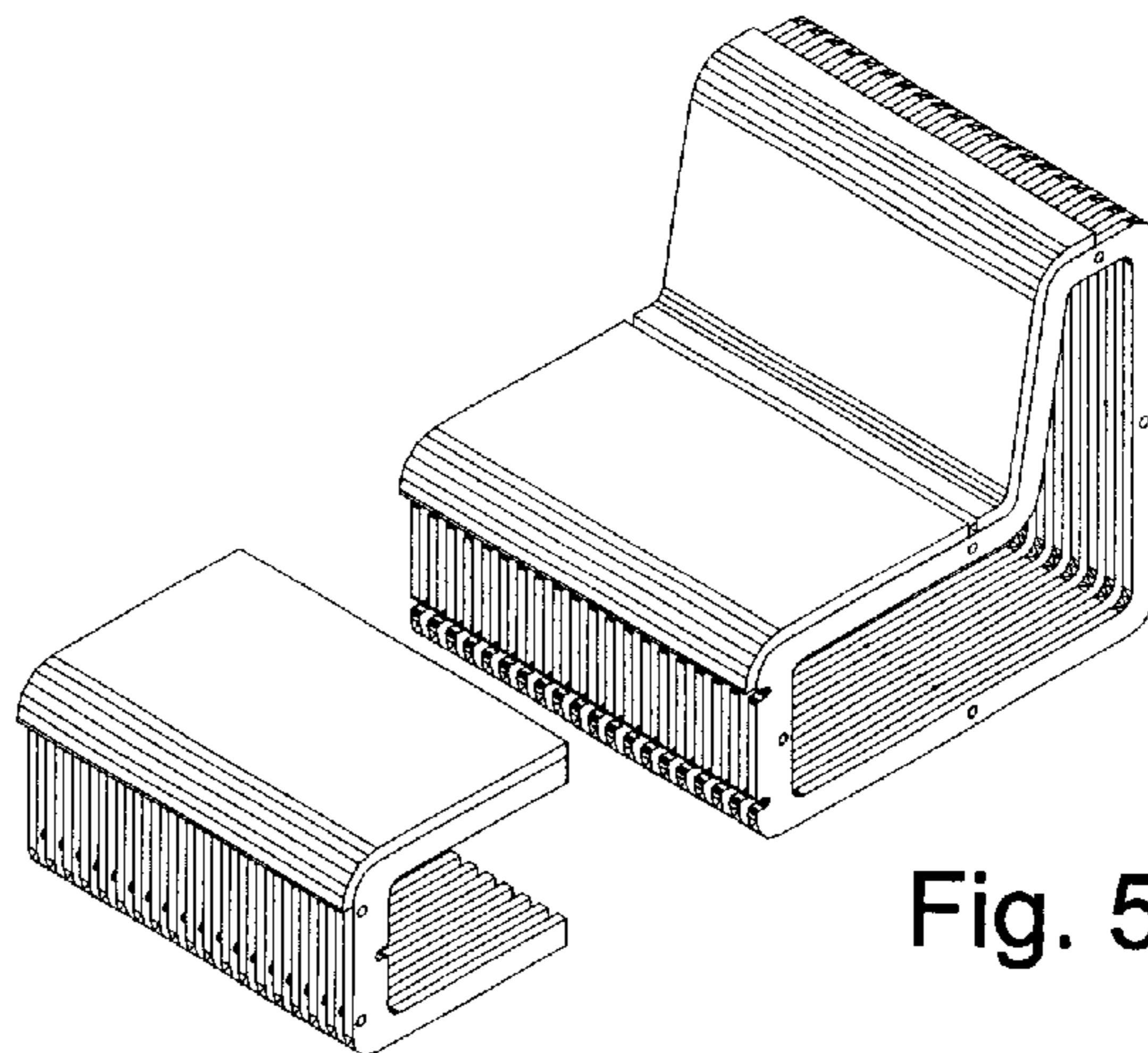


Fig. 5