



US00D518300S

(12) **United States Design Patent**
Dele-Ogunrinde

(10) **Patent No.:** **US D518,300 S**

(45) **Date of Patent:** **** Apr. 4, 2006**

(54) **SHIELDED DISPLAY FOR ART**

5,586,401 A * 12/1996 Sheehan et al. 40/737
D418,984 S * 1/2000 Koconis D6/314
D482,908 S * 12/2003 Kim D6/475

(76) **Inventor:** **Folasayo Dele-Ogunrinde**, 23123 -
52nd Ave. S., Kent, WA (US) 98032

* cited by examiner

(**) **Term:** **14 Years**

Primary Examiner—Janice E. Seeger
Assistant Examiner—Sydney R. Buffalow
(74) *Attorney, Agent, or Firm*—David L Tingey

(21) **Appl. No.:** **29/212,298**

(22) **Filed:** **Aug. 30, 2004**

(57) **CLAIM**

(51) **LOC (8) Cl.** **06-07**

The ornamental design for a shielded display for art, as shown and described.

(52) **U.S. Cl.** **D6/301**

(58) **Field of Classification Search** D6/300-314,
D6/444; 40/700, 711, 719, 714-716, 720-722,
40/735, 738, 597, 744, 745, 754, 765, 768,
40/769, 790, 798; D20/29-32, 10; 248/466-467;
D11/131, 133-135; 359/838, 871-872
See application file for complete search history.

DESCRIPTION

FIG. 1 is a perspective view of a shielded display for art, showing my new design.

FIG. 2 is a front view of FIG. 1.

FIG. 3 is side view of FIG. 1; and,

FIG. 4 is a top view of FIG. 1.

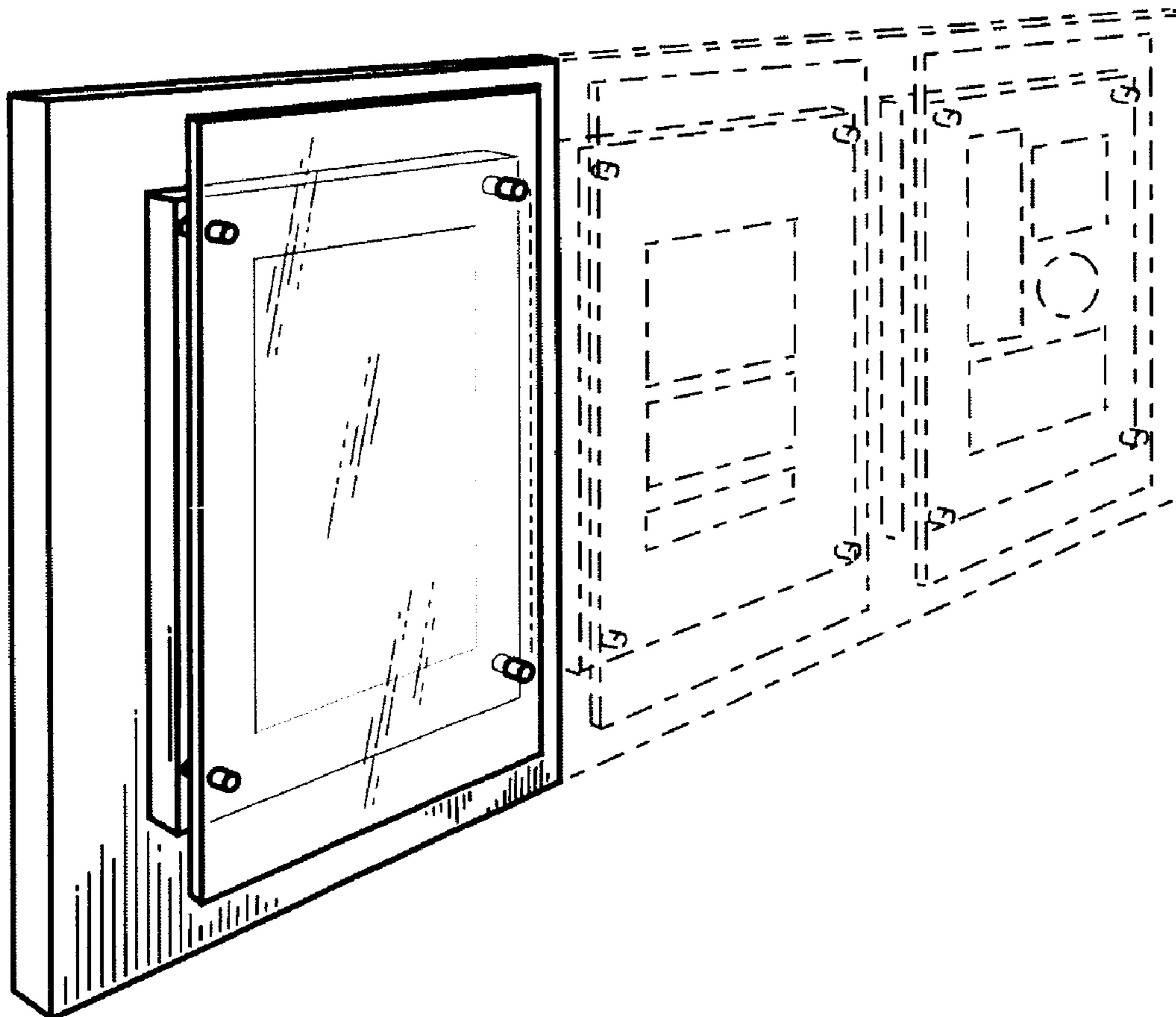
The broken lines are for environmental purposes only and form no part of the claimed design.

(56) **References Cited**

U.S. PATENT DOCUMENTS

D224,877 S * 10/1972 Fendrick D6/300
D365,535 S * 12/1995 Muckler D11/132

1 Claim, 2 Drawing Sheets



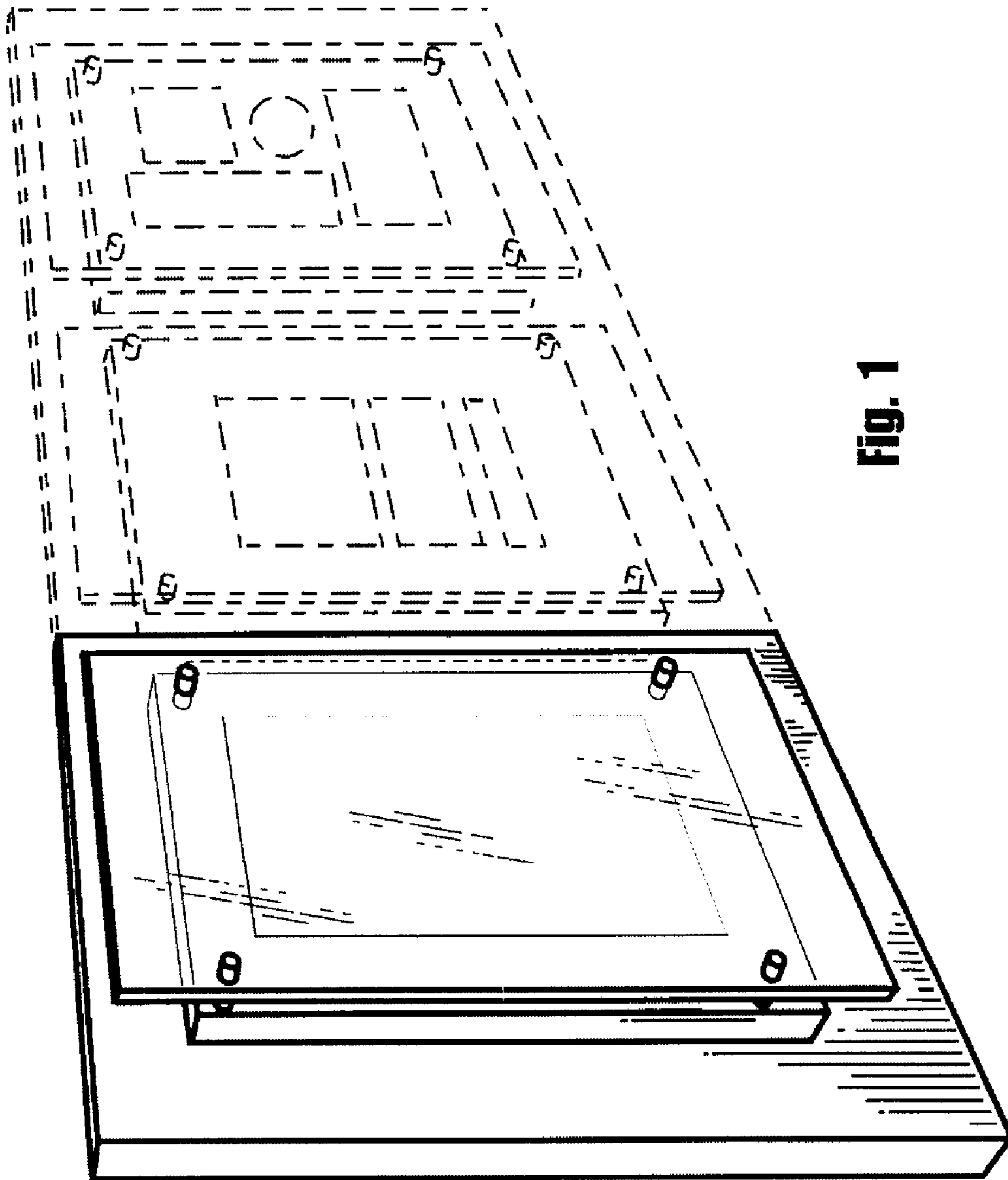


Fig. 1

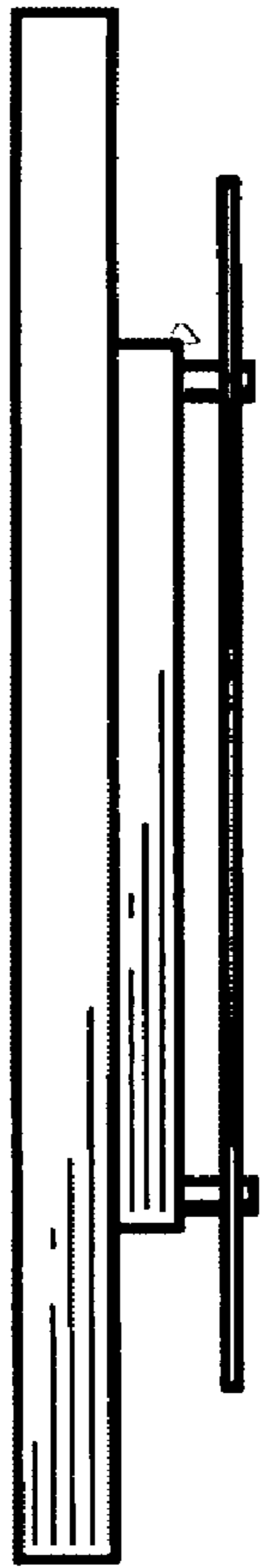


Fig. 3

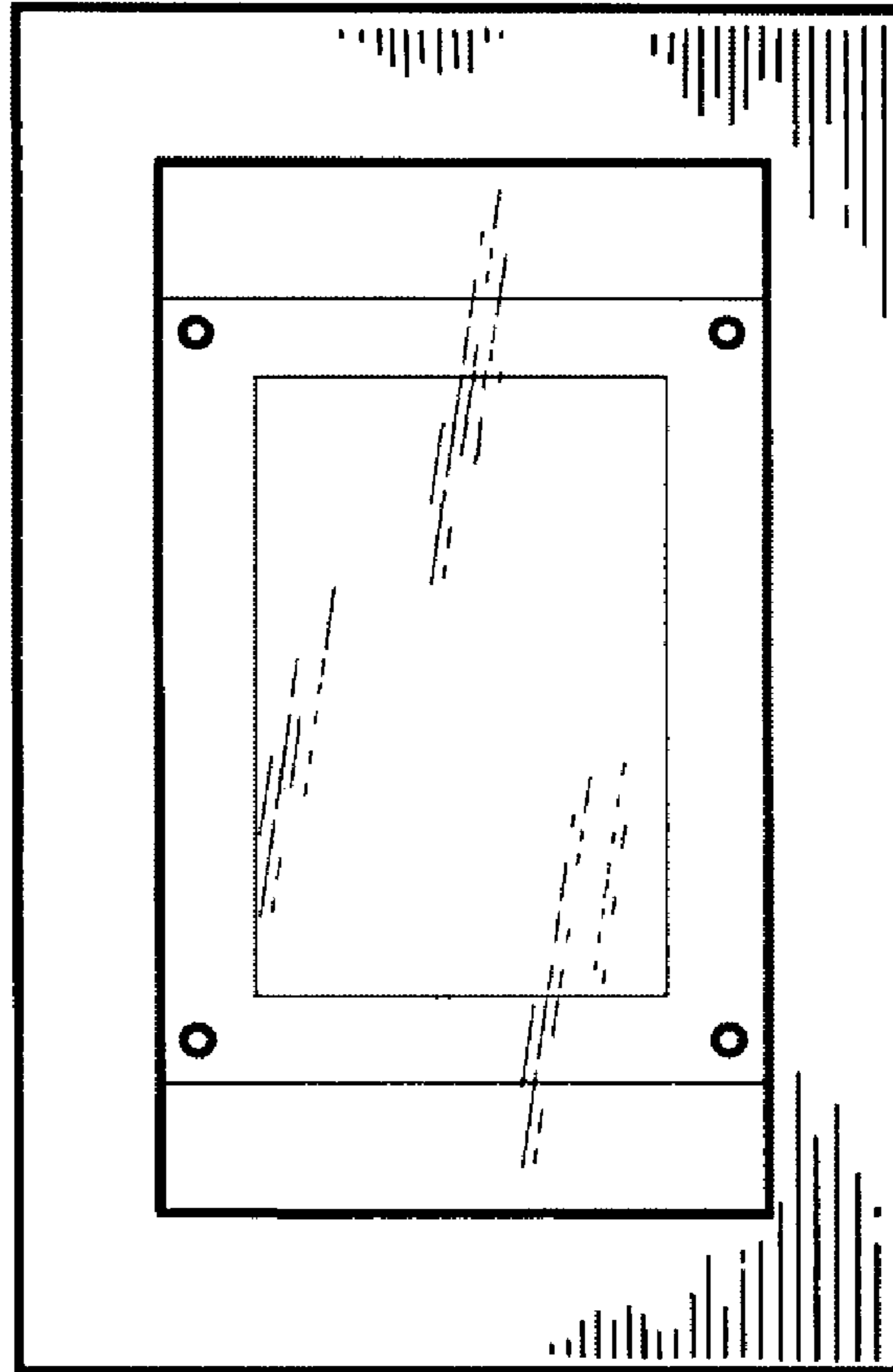


Fig. 2

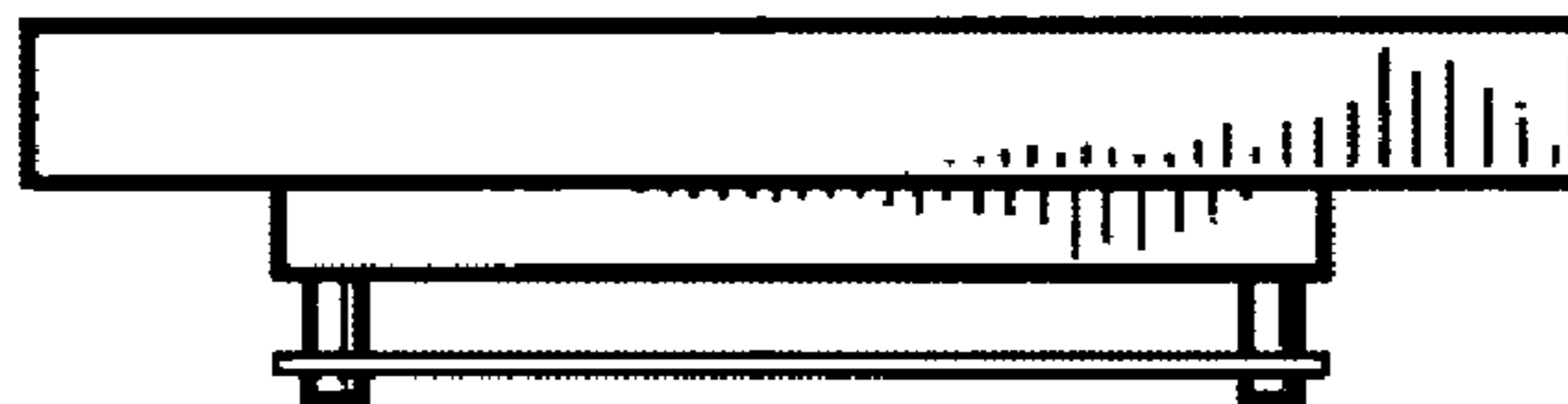


Fig. 4