



US00D518299S

(12) **United States Design Patent**
Mohundro

(10) **Patent No.:** **US D518,299 S**

(45) **Date of Patent:** **** Apr. 4, 2006**

(54) **MIRROR**

(75) **Inventor:** **James Glenn Mohundro**, Taichung (TW)

(73) **Assignee:** **Pacific Marketing International (H.K.), Ltd.**, Taichung (TW)

(**) **Term:** **14 Years**

(21) **Appl. No.:** **29/203,372**

(22) **Filed:** **Apr. 14, 2004**

(51) **LOC (8) Cl.** **06-07**

(52) **U.S. Cl.** **D6/300**

(58) **Field of Classification Search** D6/300-314, D6/444; 40/700, 711, 714, 715, 716, 719, 40/720, 721, 722, 735, 738, 744, 745, 754, 40/765, 768, 769, 790, 798, 597; D20/29-32, D20/10; D11/131, 133, 134, 135; 359/838, 359/871, 872; 248/466-467

See application file for complete search history.

(56) **References Cited**

U.S. PATENT DOCUMENTS

D61,747 S * 12/1922 White D6/321
D339,920 S * 10/1993 Hampshire D6/300

D370,784 S * 6/1996 Walters et al. D6/300
D398,783 S * 9/1998 Plein, II D6/300
D485,443 S * 1/2004 Wanek et al. D6/300
D488,624 S * 4/2004 Wanek et al. D6/300

OTHER PUBLICATIONS

American of Martinsville, Tiffany Collection, 1982, p. 8, #2204-233.*

* cited by examiner

Primary Examiner—Janice E. Seeger

Assistant Examiner—Sydney R. Buffalow

(74) *Attorney, Agent, or Firm*—Rosenberg, Klein & Lee

(57) **CLAIM**

The ornamental design for a mirror, as shown and described.

DESCRIPTION

FIG. 1 is a perspective view of a mirror, showing my new design;

FIG. 2 is a front elevational view thereof;

FIG. 3 is a rear elevational view thereof;

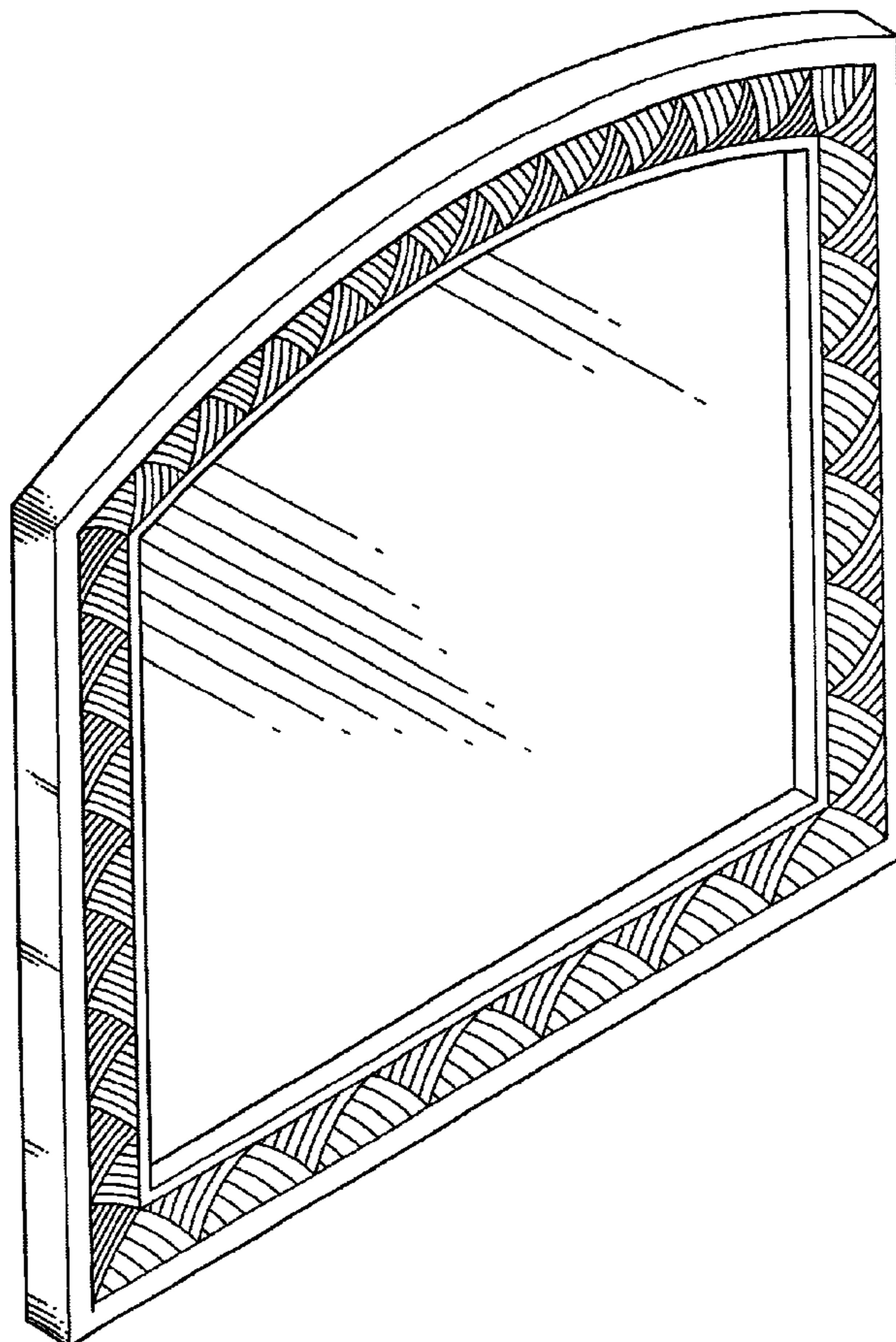
FIG. 4 is a left elevational view thereof;

FIG. 5 is a right elevational view thereof;

FIG. 6 is a top plan view thereof; and,

FIG. 7 is a bottom plan view thereof.

1 Claim, 5 Drawing Sheets



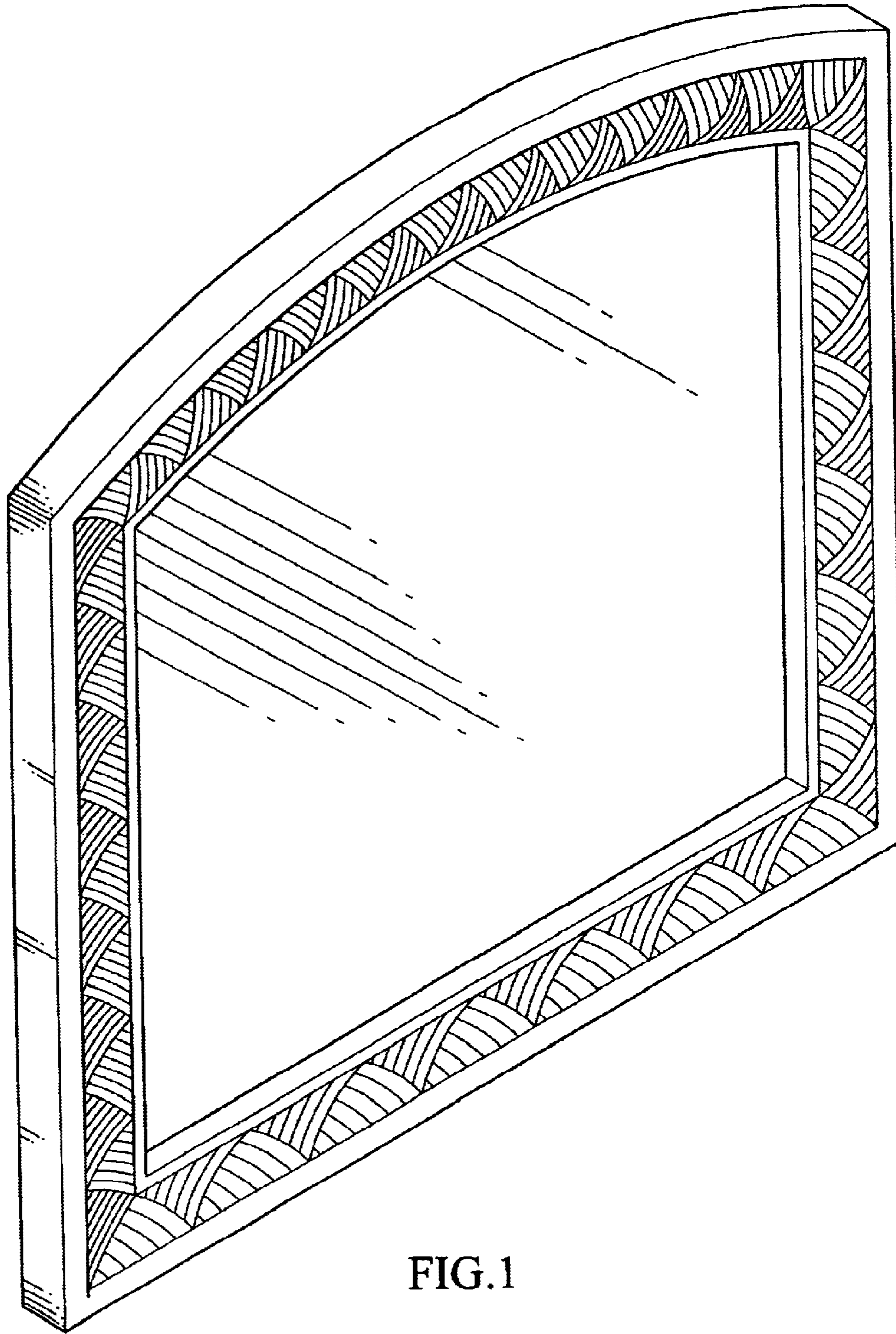


FIG. 1

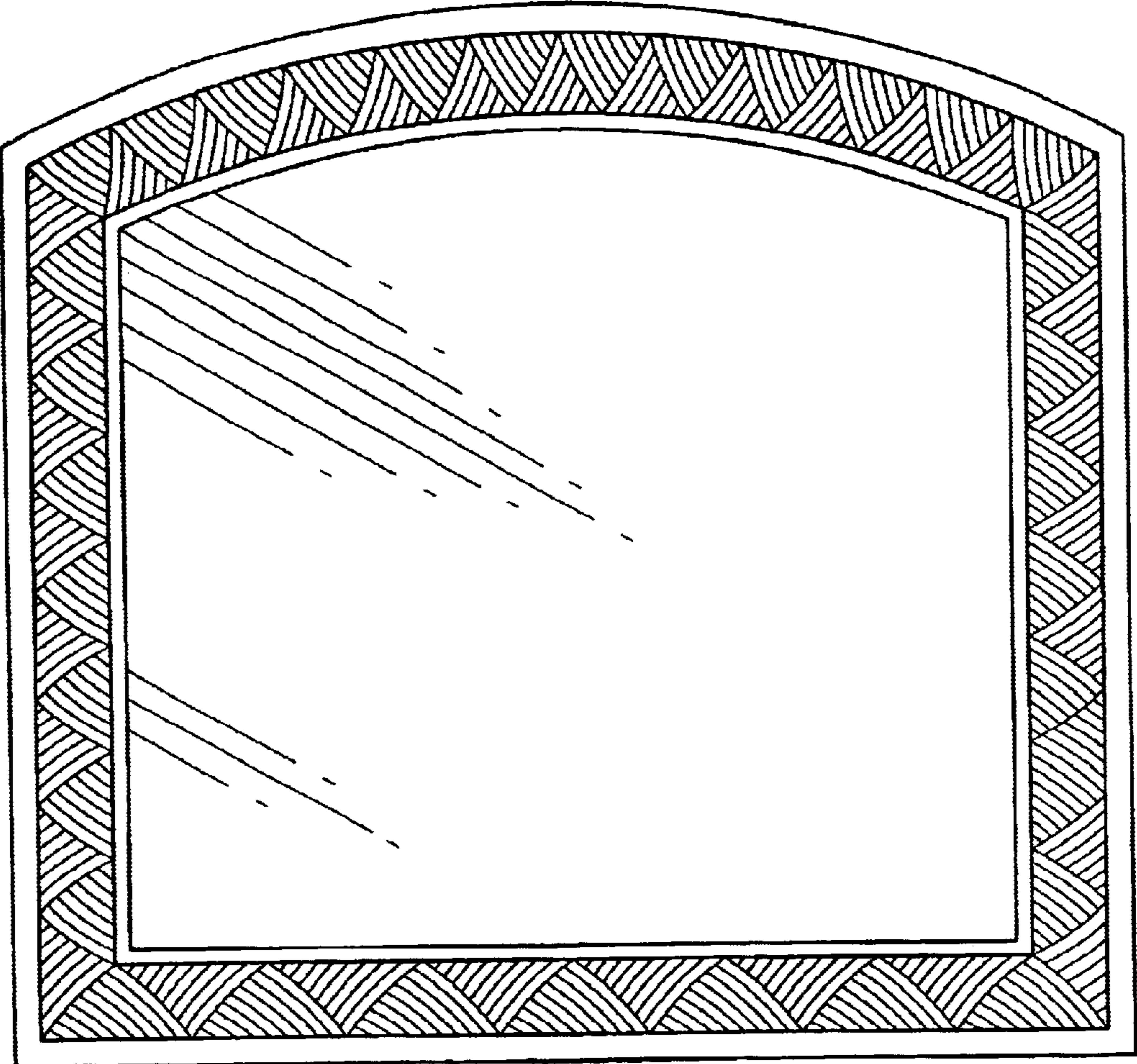


FIG.2

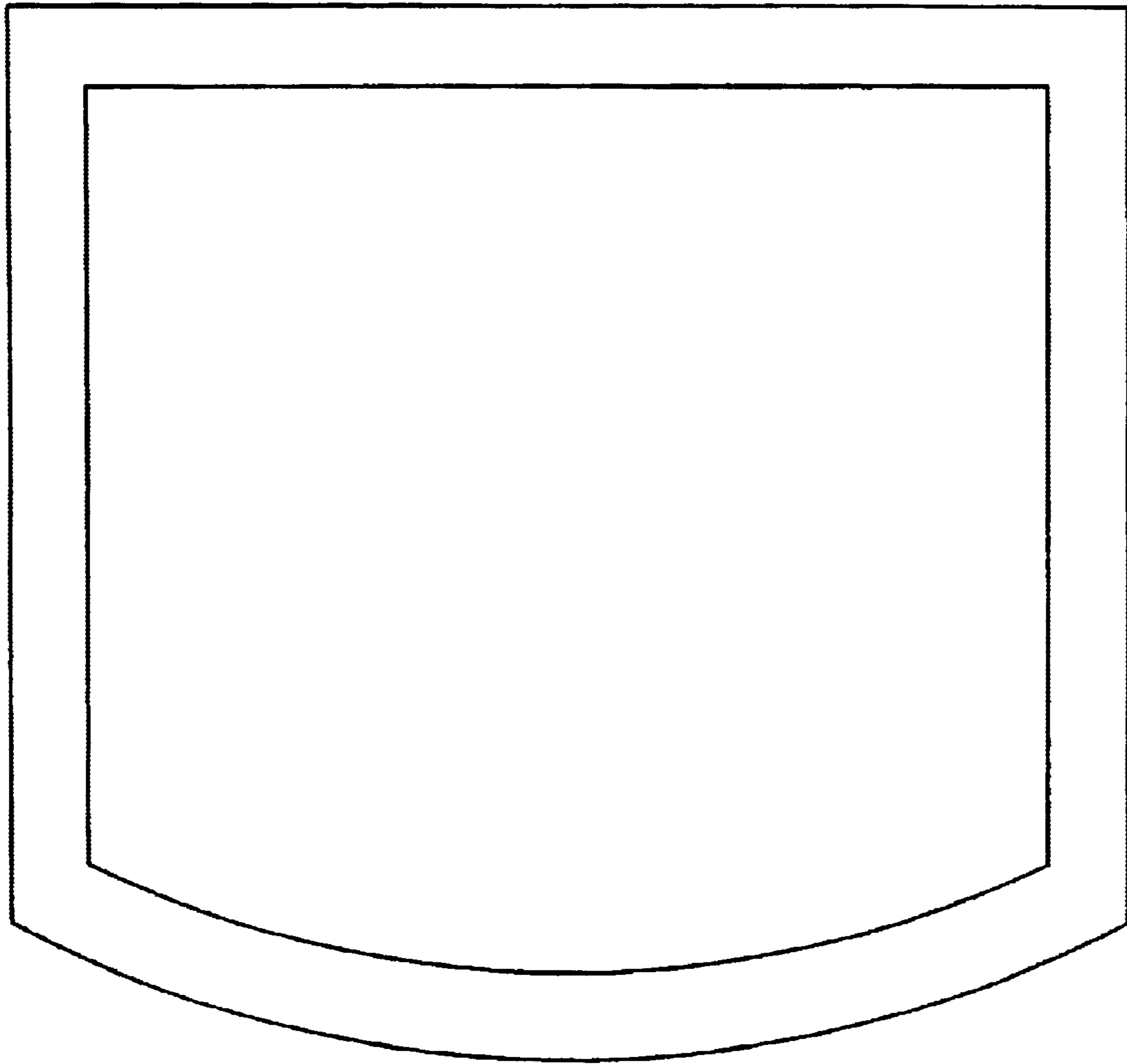


FIG.3

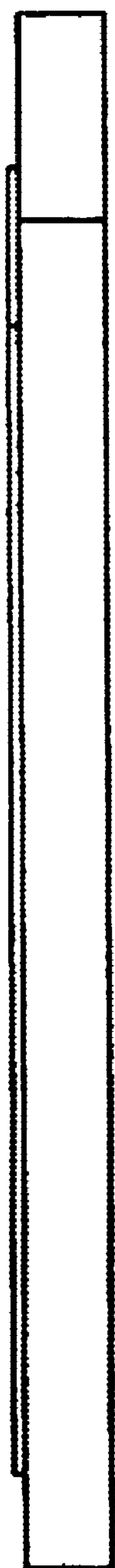


FIG. 4



FIG. 5



FIG.6



FIG.7