



US00D518295S

(12) **United States Design Patent**
Fenton

(10) **Patent No.:** **US D518,295 S**

(45) **Date of Patent:** **** Apr. 4, 2006**

(54) **WHEEL SKID ASSEMBLY**

(75) Inventor: **Timm Fenton**, Lebanon, NJ (US)

(73) Assignee: **Tumi, Inc.**, South Plainfield, NJ (US)

(**) Term: **14 Years**

(21) Appl. No.: **29/219,544**

(22) Filed: **Dec. 17, 2004**

6,408,996	B1	*	6/2002	Lin	190/18 R
6,454,065	B1	*	9/2002	Chen	190/18 A
6,460,668	B1	*	10/2002	Godshaw et al.	190/18 A
D465,085	S	*	11/2002	Chen	D3/279
D485,681	S	*	1/2004	Fenton et al.	D3/279
6,695,107	B1	*	2/2004	Godshaw et al.	190/18 R
D487,348	S	*	3/2004	Fenton et al.	D3/318
D492,486	S	*	7/2004	Mullins	D3/279
6,880,685	B1	*	4/2005	Fenton et al.	190/124
6,892,434	B1	*	5/2005	Fenton et al.	29/469
2003/0066162	A1	*	4/2003	Kuo	16/44

* cited by examiner

Related U.S. Application Data

(63) Continuation of application No. 29/199,605, filed on Feb. 18, 2004.

(51) **LOC (8) Cl.** **03-99**

(52) **U.S. Cl.** **D3/321**

(58) **Field of Classification Search** D3/318-328,
D3/279, 272, 273; D8/375; D12/133; 16/44-47;
190/18 A, 37, 115; 186/27; D34/12, 24, 25,
D34/27; 224/153
See application file for complete search history.

Primary Examiner—Sandra S. Snapp

(74) *Attorney, Agent, or Firm*—Baker Botts, L.L.P.

(57) **CLAIM**

The ornamental design of a wheel skid assembly, as shown and described.

DESCRIPTION

FIG. 1 is an isometric view of a first embodiment of a wheel skid assembly showing my new design in a first configuration;

FIG. 2 is a front view of the wheel skid assembly of FIG. 1; FIG. 3 is a rear view of the wheel skid assembly of FIG. 1; FIG. 4 is a right side view of the wheel skid assembly of FIG. 1;

FIG. 5 is a left side view of the wheel skid assembly of FIG. 1;

FIG. 6 is a top view of the wheel skid assembly of FIG. 1; and,

FIG. 7 is a bottom view of the wheel skid assembly of FIG. 1.

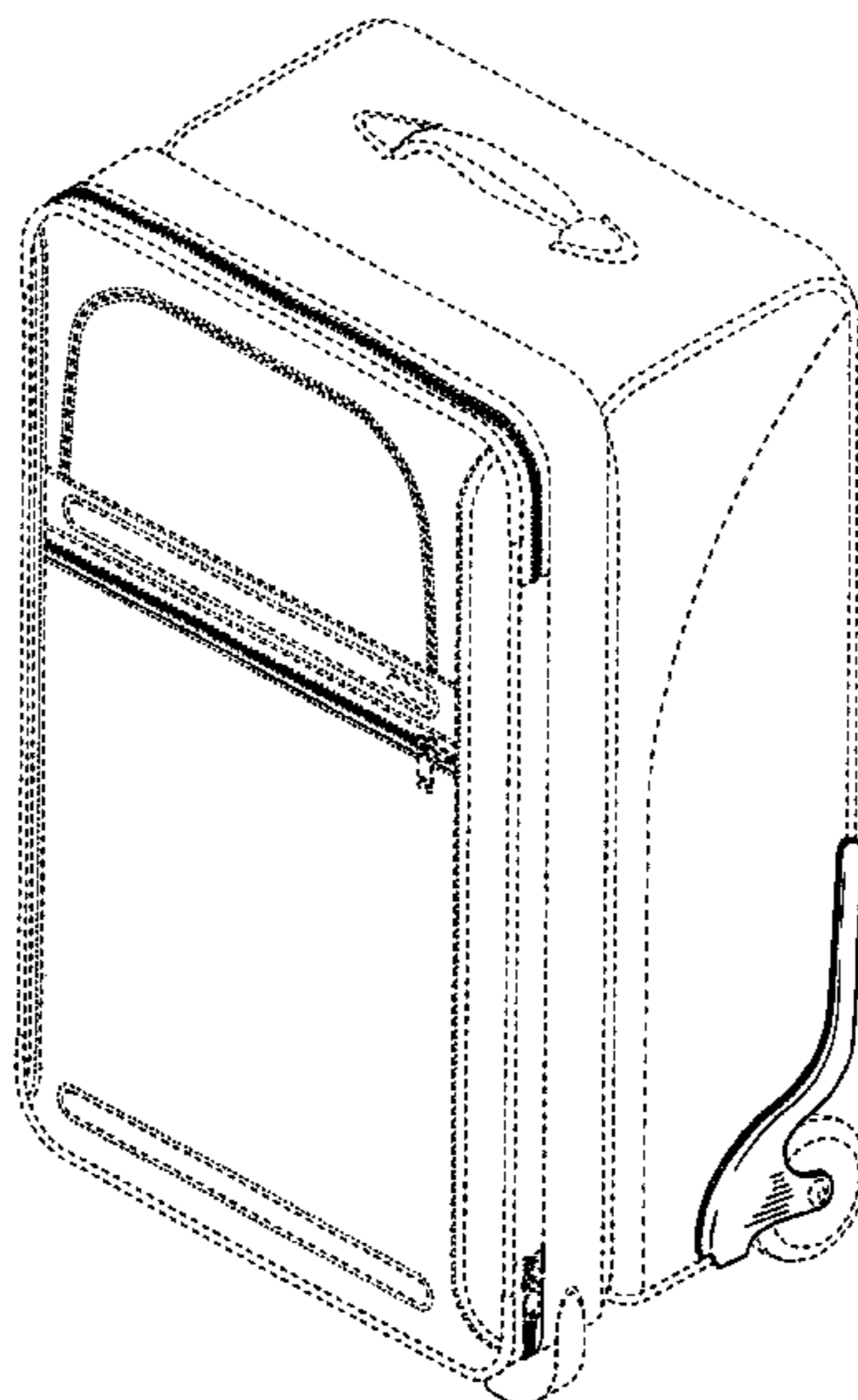
The broken lines are provided for illustrative purposes only and form no part of the claimed design. In addition, the portions of the wheel skid assembly that are not shown in the drawings as well as any portion of the zipper, if any, do not form any part of the claimed design.

(56) **References Cited**

U.S. PATENT DOCUMENTS

D352,395	S	*	11/1994	King	D3/279
D375,202	S	*	11/1996	Vermillion et al.	D3/318
5,634,538	A	*	6/1997	Tsai	190/18 A
D385,699	S	*	11/1997	Lin	D3/279
D411,041	S	*	6/1999	Kinzer et al.	D3/318
D419,299	S	*	1/2000	Bauer	D3/279
D425,705	S	*	5/2000	Santy et al.	D3/318
D431,906	S	*	10/2000	Livingston	D3/279
D438,011	S	*	2/2001	Shick	D3/318
D439,410	S	*	3/2001	Chang	D3/318
D444,946	S	*	7/2001	Klamm	D3/279
D449,162	S	*	10/2001	Sijmons et al.	D3/279
6,354,412	B1	*	3/2002	Kuo	190/18 A
D456,993	S	*	5/2002	Lin	D3/279
6,382,736	B1	*	5/2002	Chang	301/111.05

1 Claim, 4 Drawing Sheets



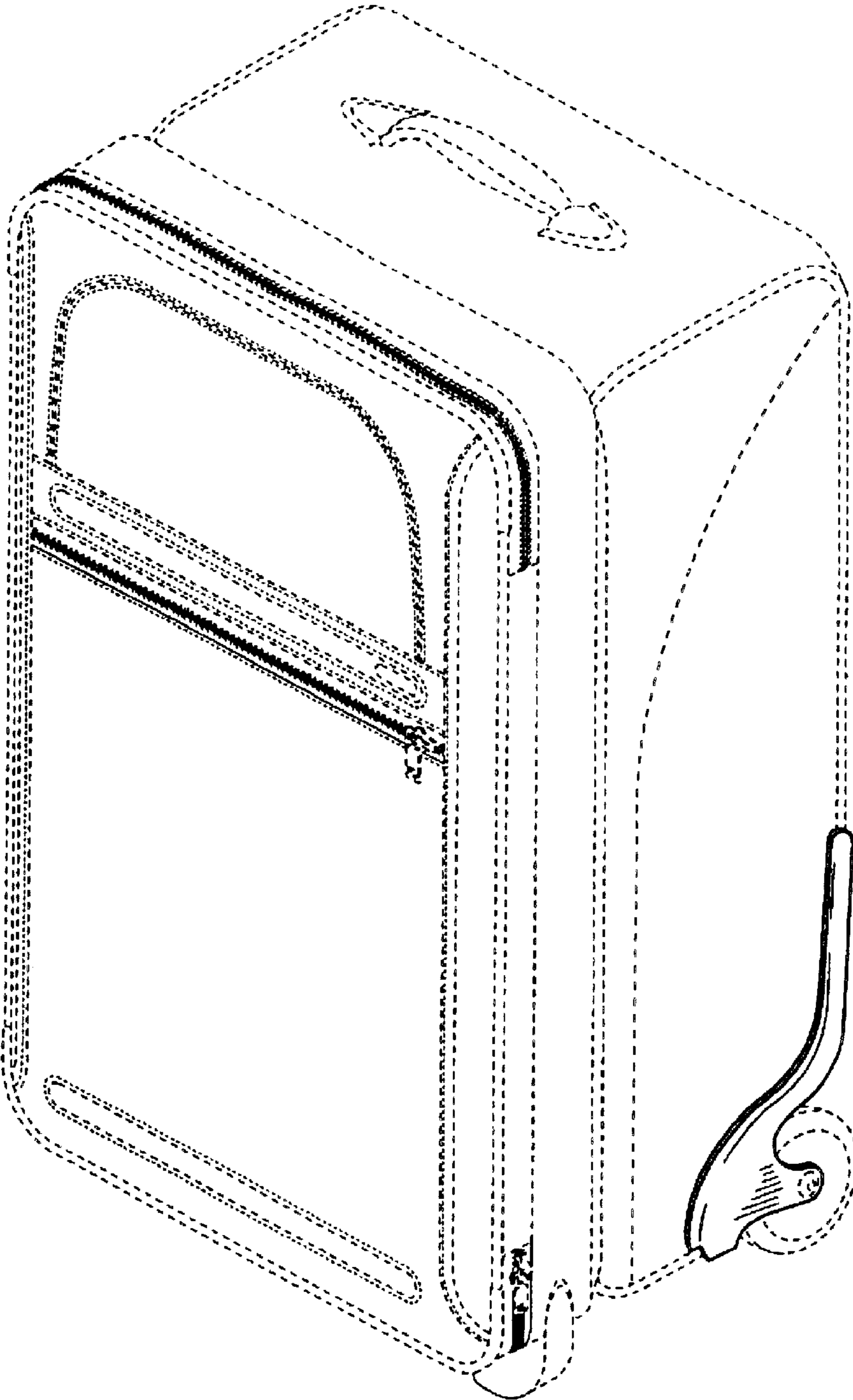


FIG. 1

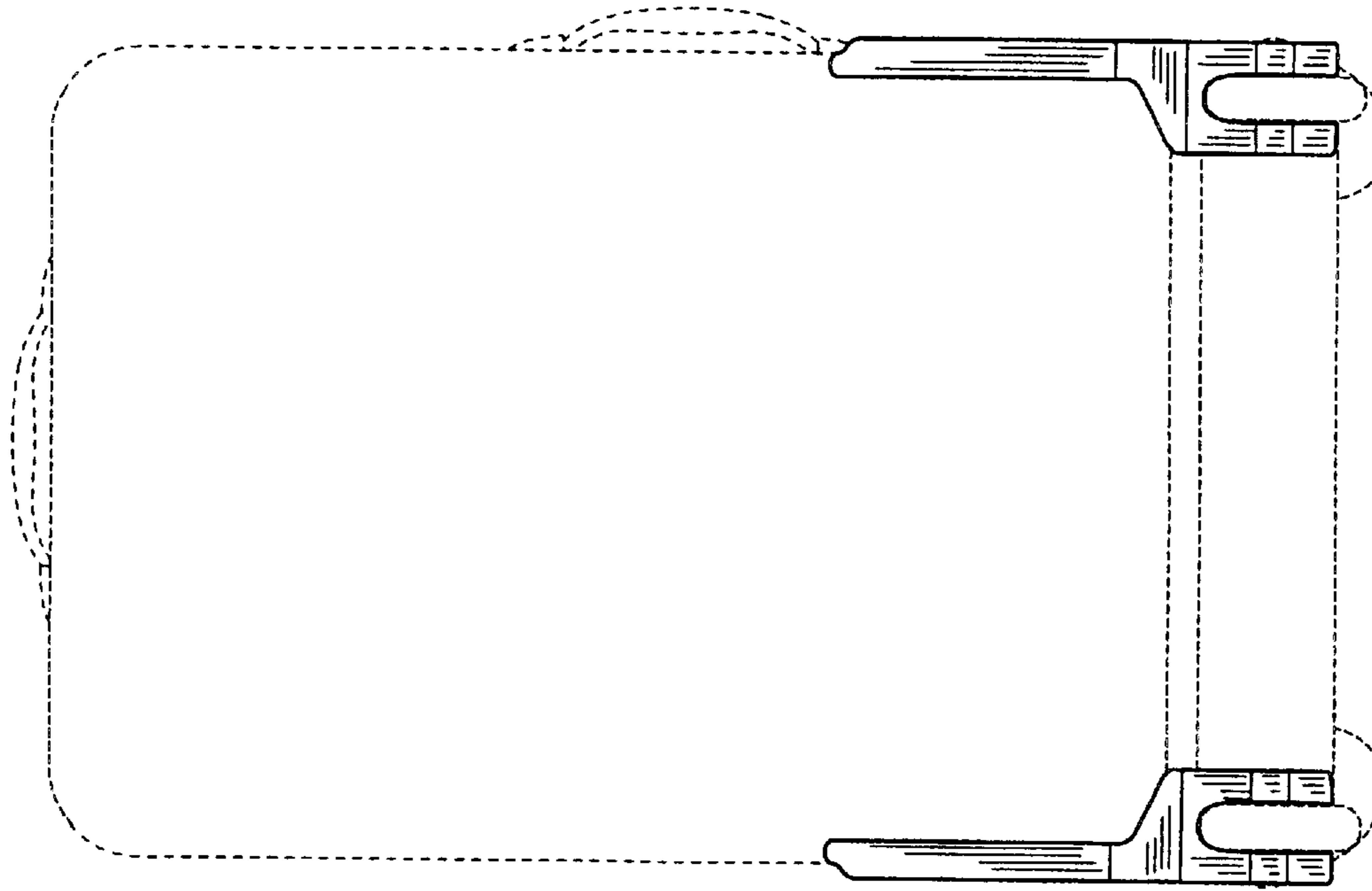


FIG. 3

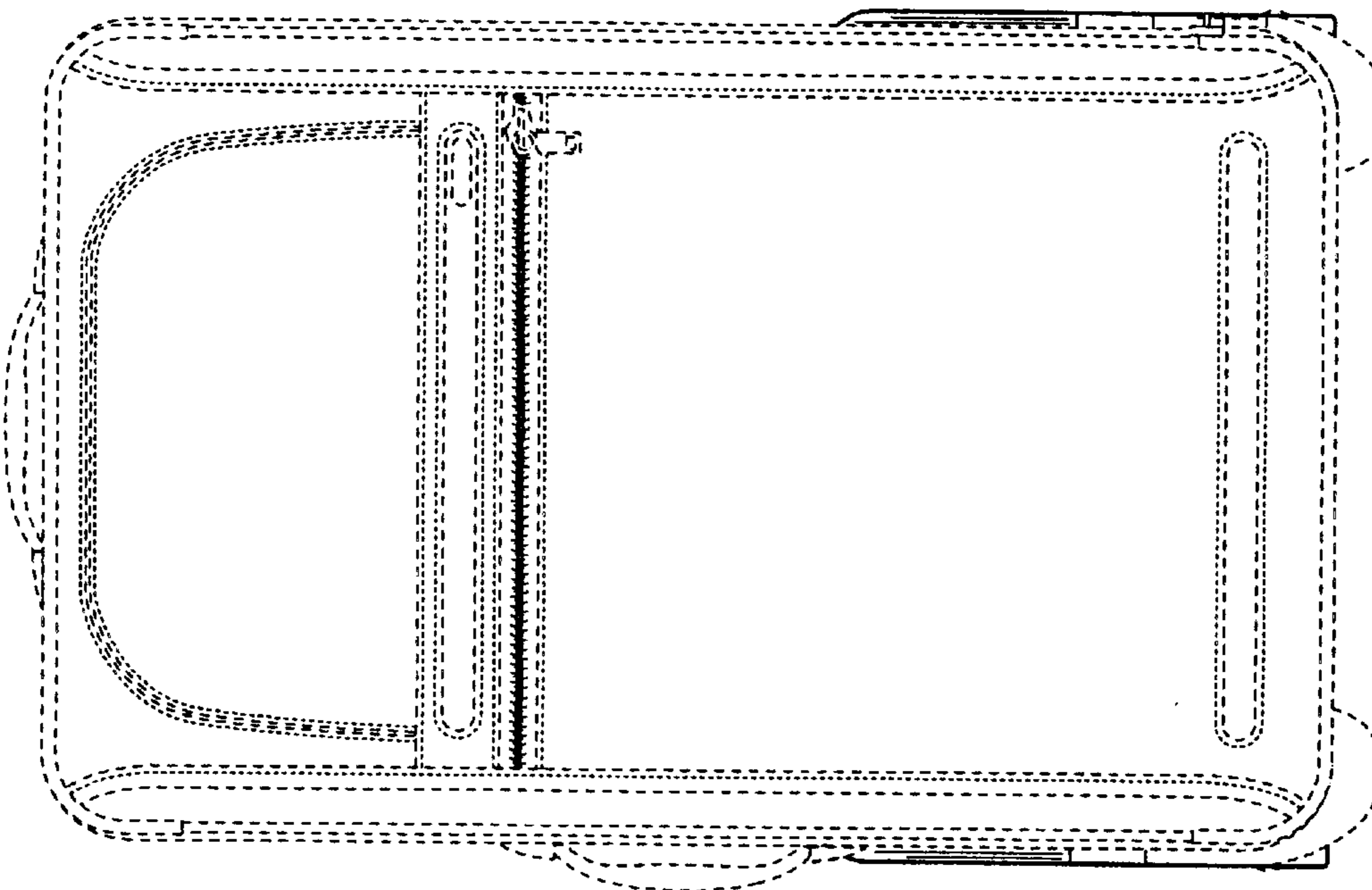


FIG. 2

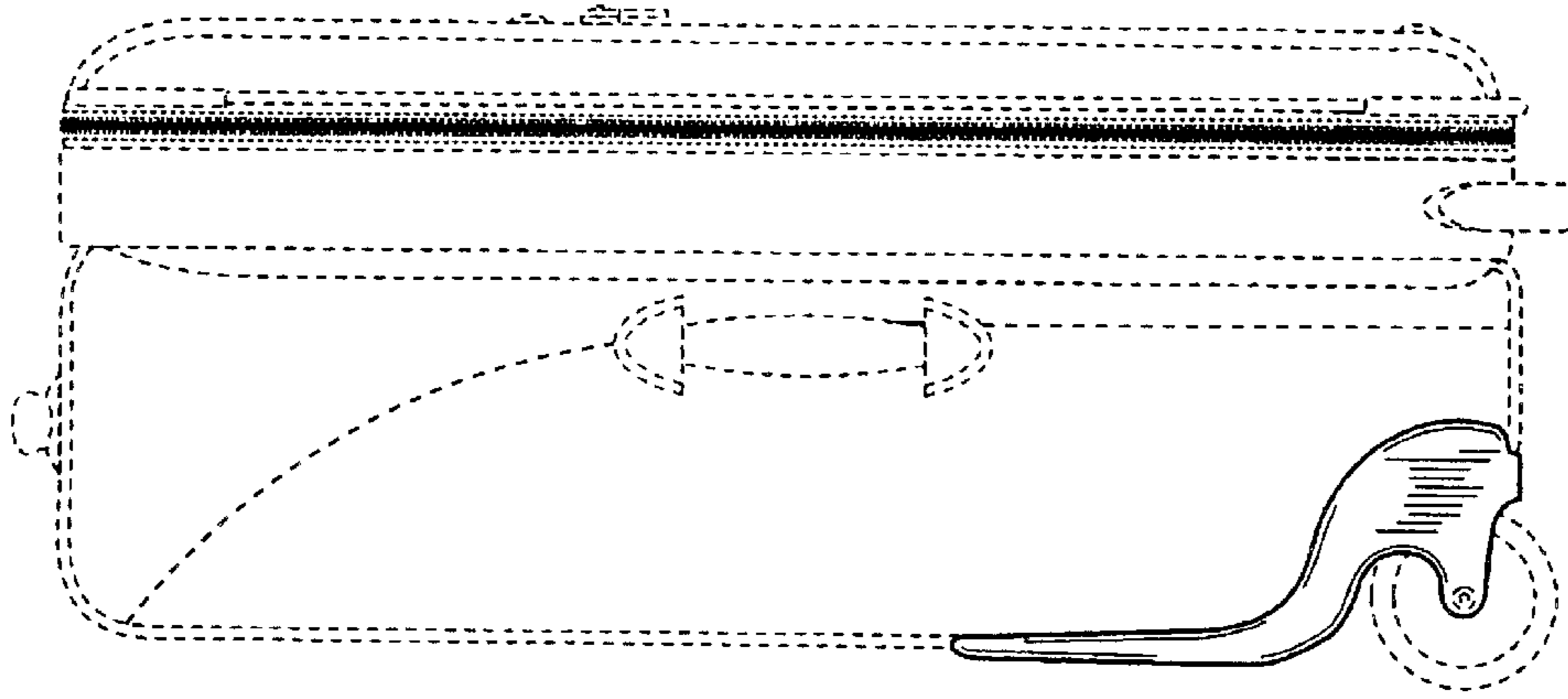


FIG. 5

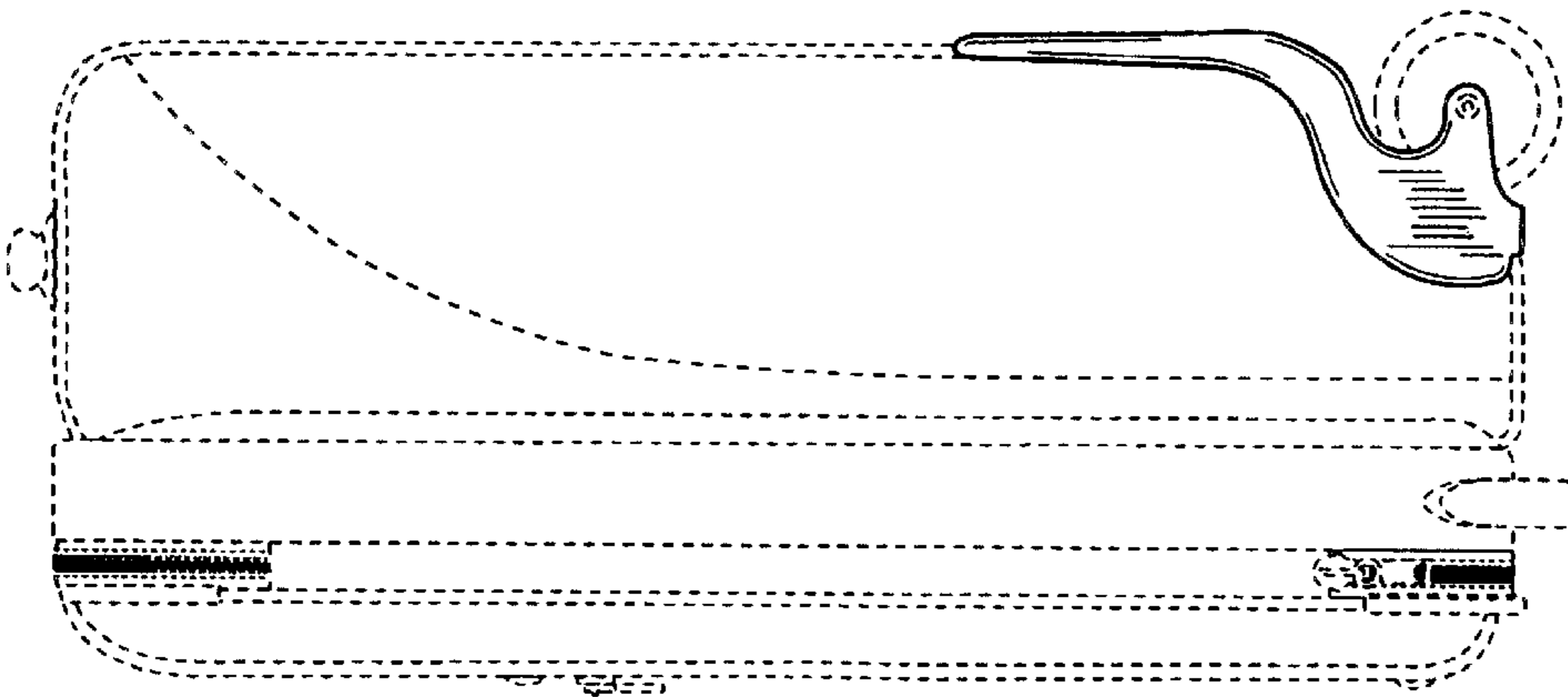


FIG. 4

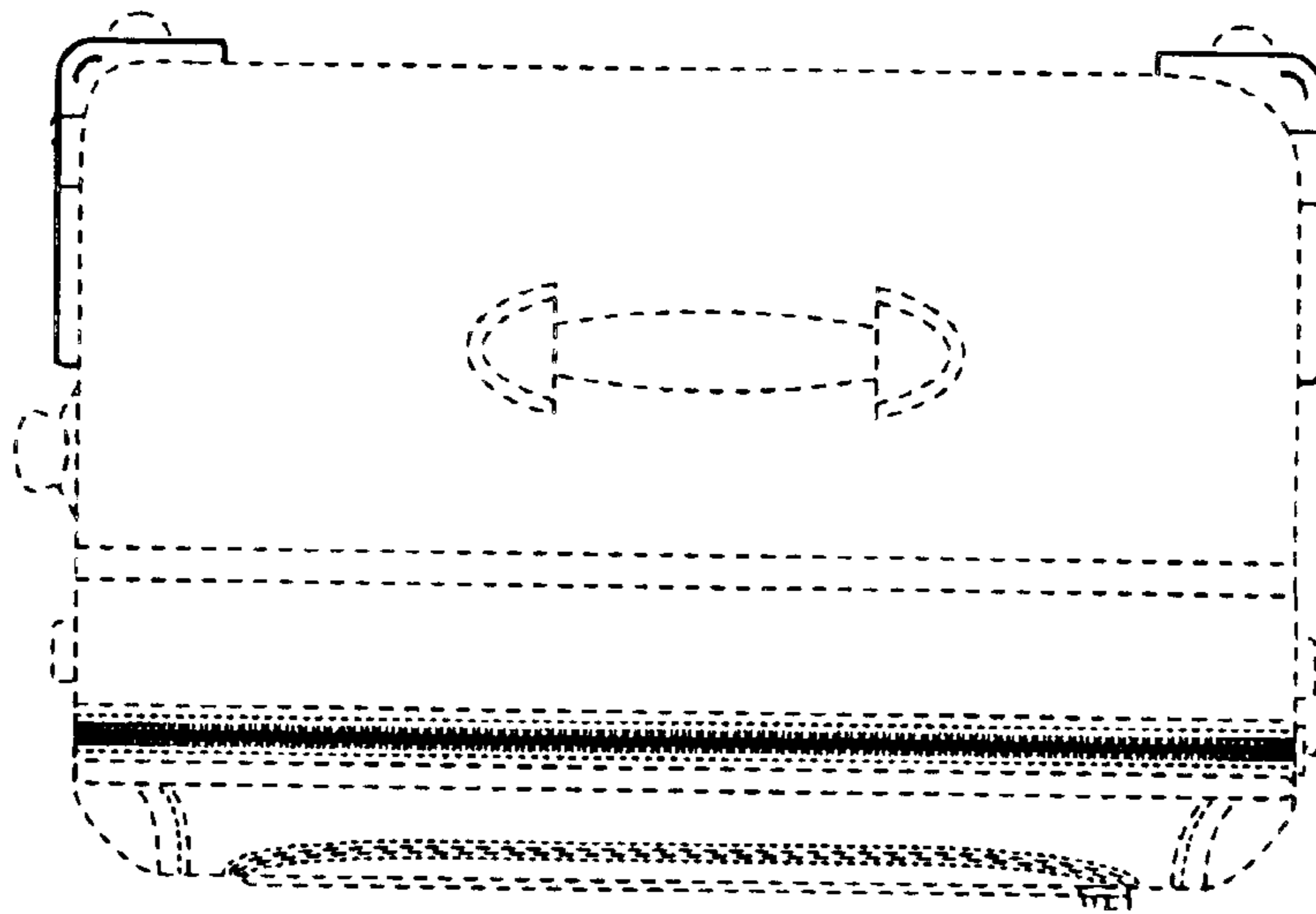


FIG. 6

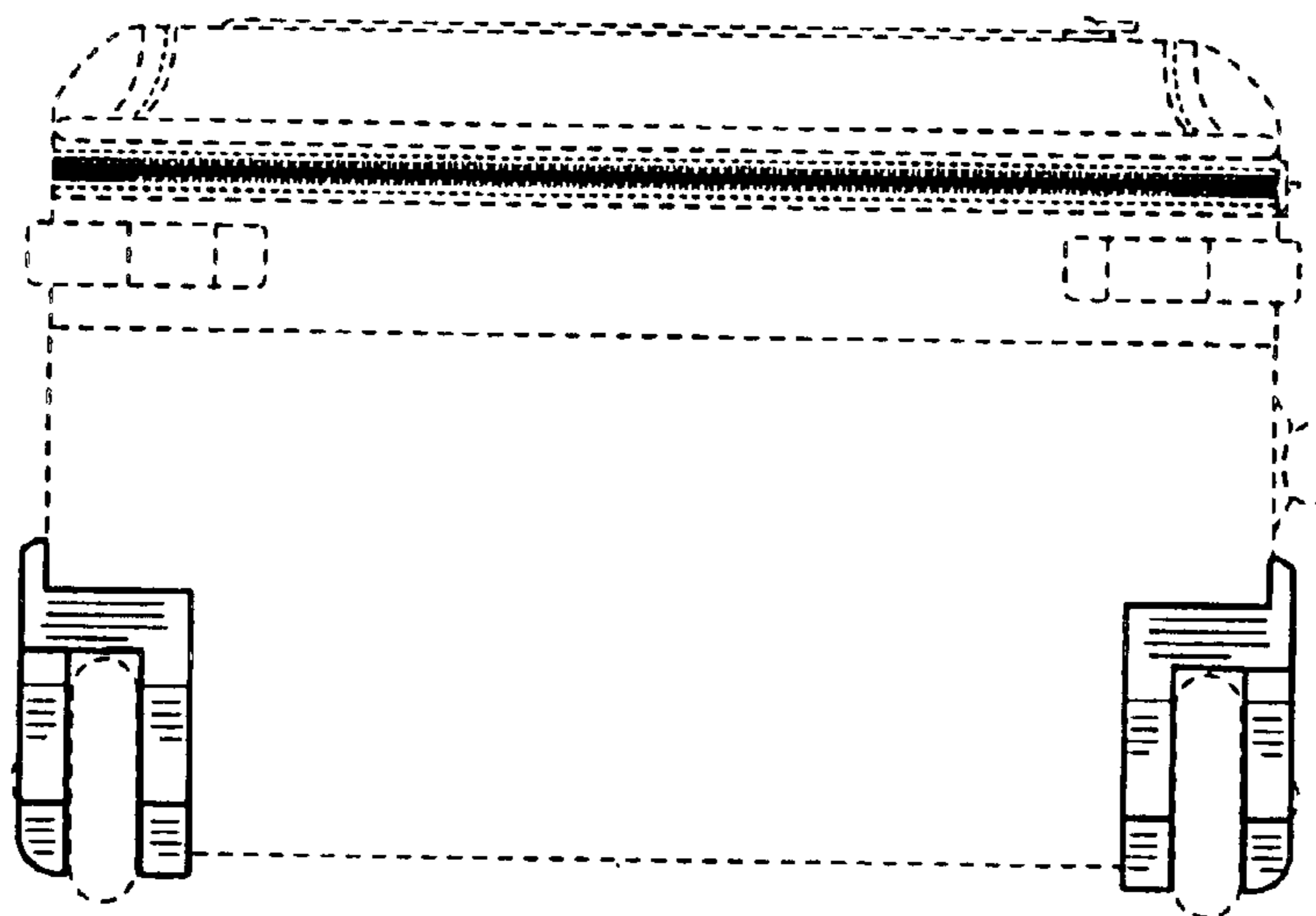


FIG. 7