



US00D518293S

(12) **United States Design Patent**
Lam

(10) **Patent No.:** **US D518,293 S**

(45) **Date of Patent:** **** Apr. 4, 2006**

(54) **DVD PLAYER BAG**

(75) **Inventor:** **Ng Wai Lam, Hung Hom (HK)**

(73) **Assignee:** **Orient Power Mobile Electronics, Ltd., Hong Kong (HK)**

(**) **Term:** **14 Years**

(21) **Appl. No.:** **29/191,365**

(22) **Filed:** **Oct. 6, 2003**

(51) **LOC (8) Cl.** **03-01**

(52) **U.S. Cl.** **D3/273; D3/276; D3/301**

(58) **Field of Classification Search** D3/281, D3/270, 273, 276, 278, 294, 301; D6/407, D6/626-635; 206/18, 307.1, 308.1, 308.2, 206/308.3, 309, 310, 311, 312, 313, 320, 206/445, 749; 312/9.1, 902, 9.9, 9.48, 9.55, 312/9.64, 9.47, 9.53, 328; 348/838; 434/307 R
See application file for complete search history.

(56) **References Cited**

U.S. PATENT DOCUMENTS

D264,524	S	*	5/1982	Merzon	D6/631
D288,863	S	*	3/1987	Vuitton	D3/289
4,658,298	A	*	4/1987	Takeda et al.	348/838
5,010,988	A	*	4/1991	Brown	190/104
D328,188	S	*	7/1992	Jacobsen et al.	D3/270
5,445,266	A	*	8/1995	Prete et al.	206/320
5,524,754	A	*	6/1996	Hollingsworth	206/320
5,639,004	A	*	6/1997	Carlton et al.	224/579
5,725,090	A	*	3/1998	Vermillion et al.	206/320
5,762,170	A	*	6/1998	Shyr et al.	190/109
5,762,250	A	*	6/1998	Carlton et al.	224/579
5,960,952	A	*	10/1999	Chen	206/320
6,073,770	A	*	6/2000	Park	206/522
D432,788	S	*	10/2000	Payne	D3/276
6,145,661	A	*	11/2000	Jung	206/320

6,283,299	B1	*	9/2001	Lee	206/760
6,318,552	B1	*	11/2001	Godshaw	206/320
D451,672	S	*	12/2001	Rasmussen	D3/276
D456,135	S	*	4/2002	Shapiro	D3/276
D501,997	S	*	2/2005	Hassett	D3/294
6,877,603	B1	*	4/2005	Qualkenbush	206/308.1
2003/0029755	A1	*	2/2003	Ho	206/320
2004/0023198	A1	*	2/2004	Youngman	434/262
2004/0065568	A1	*	4/2004	Kim	206/308.1
2004/0085485	A1	*	5/2004	Schedivy	348/837
2004/0134812	A1	*	7/2004	Yeh	206/320
2004/0222111	A1	*	11/2004	Qualkenbush	206/307
2005/0072699	A1	*	4/2005	Ng	206/320
2005/0185916	A1	*	8/2005	Jost et al.	386/46

* cited by examiner

Primary Examiner—Celia A. Murphy

(74) *Attorney, Agent, or Firm*—Blumenfeld, Kaplan, & Sandweiss, P.C.

(57) **CLAIM**

We claim the ornamental design for a DVD player bag, as shown and described.

DESCRIPTION

FIG. 1 is an isometric view of a DVD player bag showing our new design;

FIG. 2 is a front elevational view thereof;

FIG. 3 is a rear elevational view thereof;

FIG. 4 is a left side elevational view thereof;

FIG. 5 is a right side elevational view thereof;

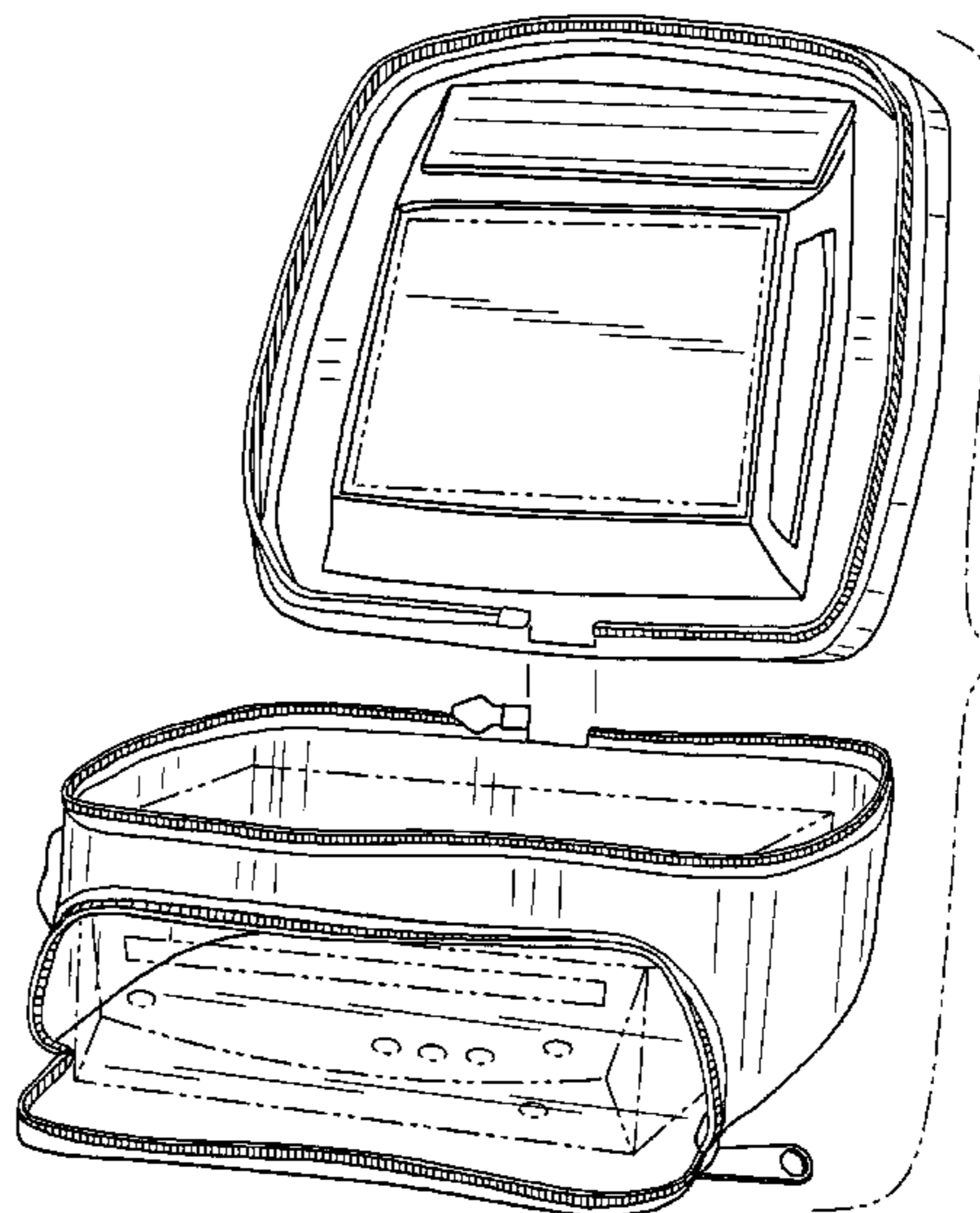
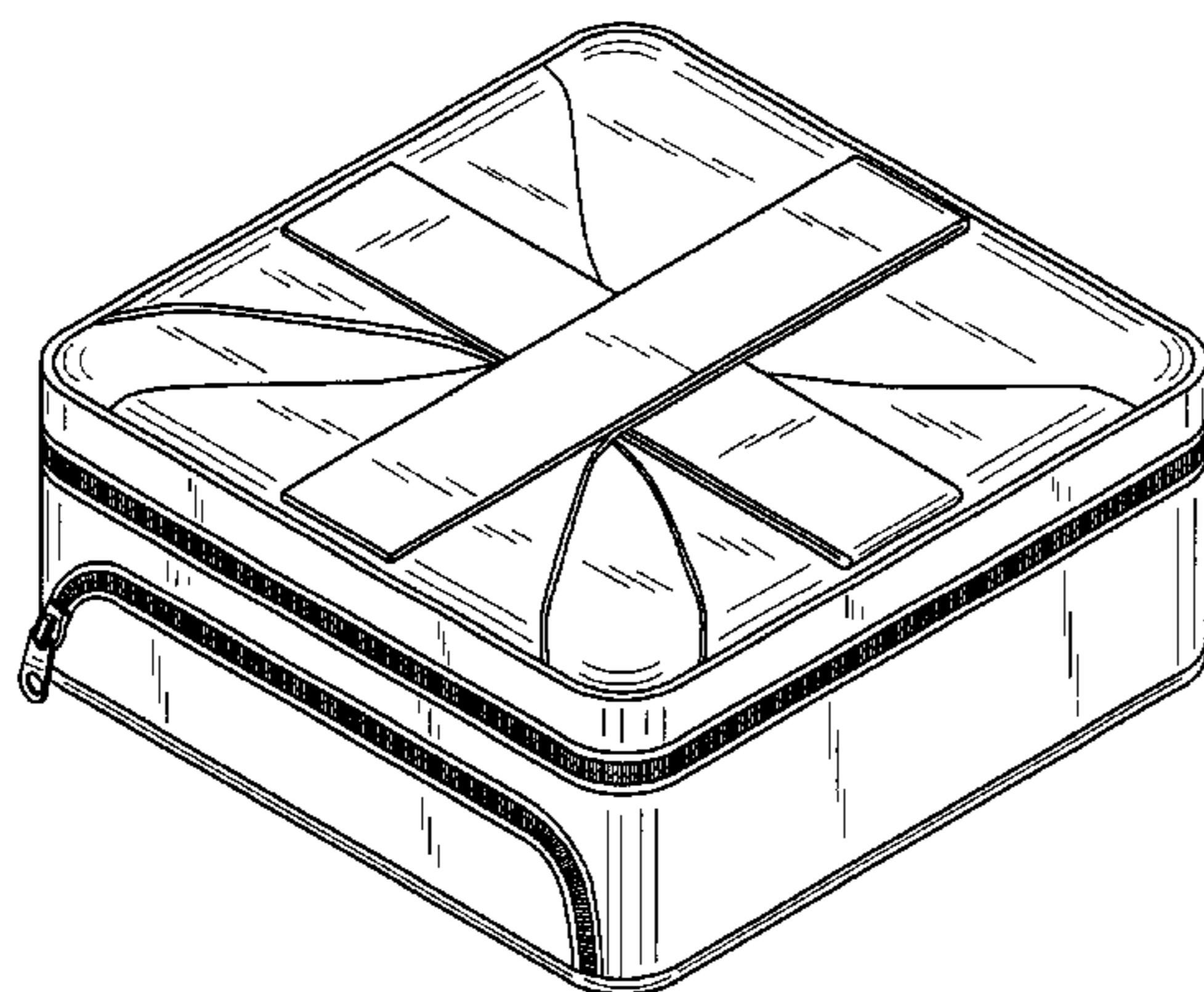
FIG. 6 is a top plan view thereof;

FIG. 7 is an bottom plan thereof; and,

FIG. 8 is a view of the claimed DVD player bag in use and separated into two parts.

The broken lines in FIG. 8 showing a DVD player, and a television screen, are for illustrative purposes only and form no part of the claimed design.

1 Claim, 3 Drawing Sheets



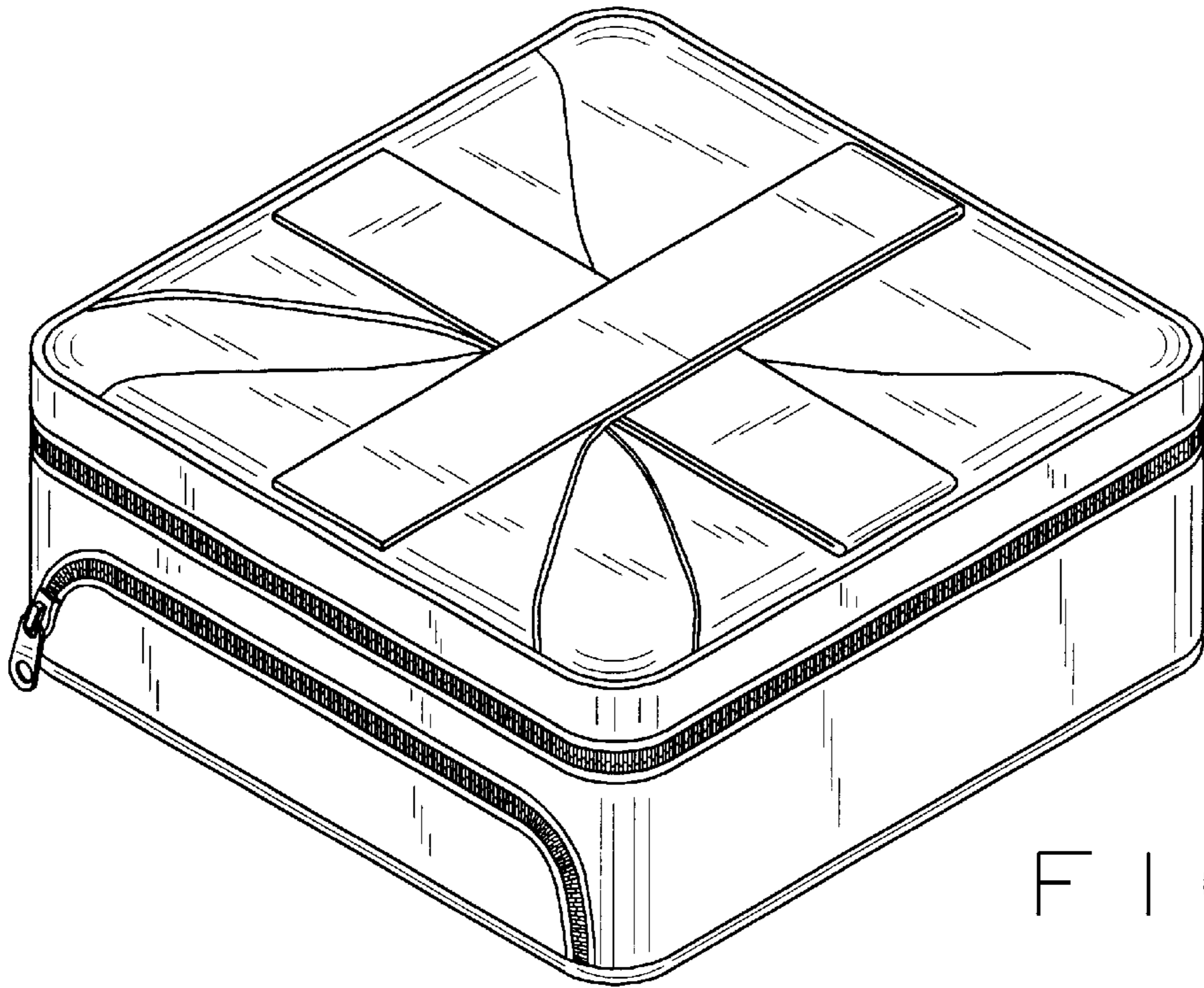


FIG. 1

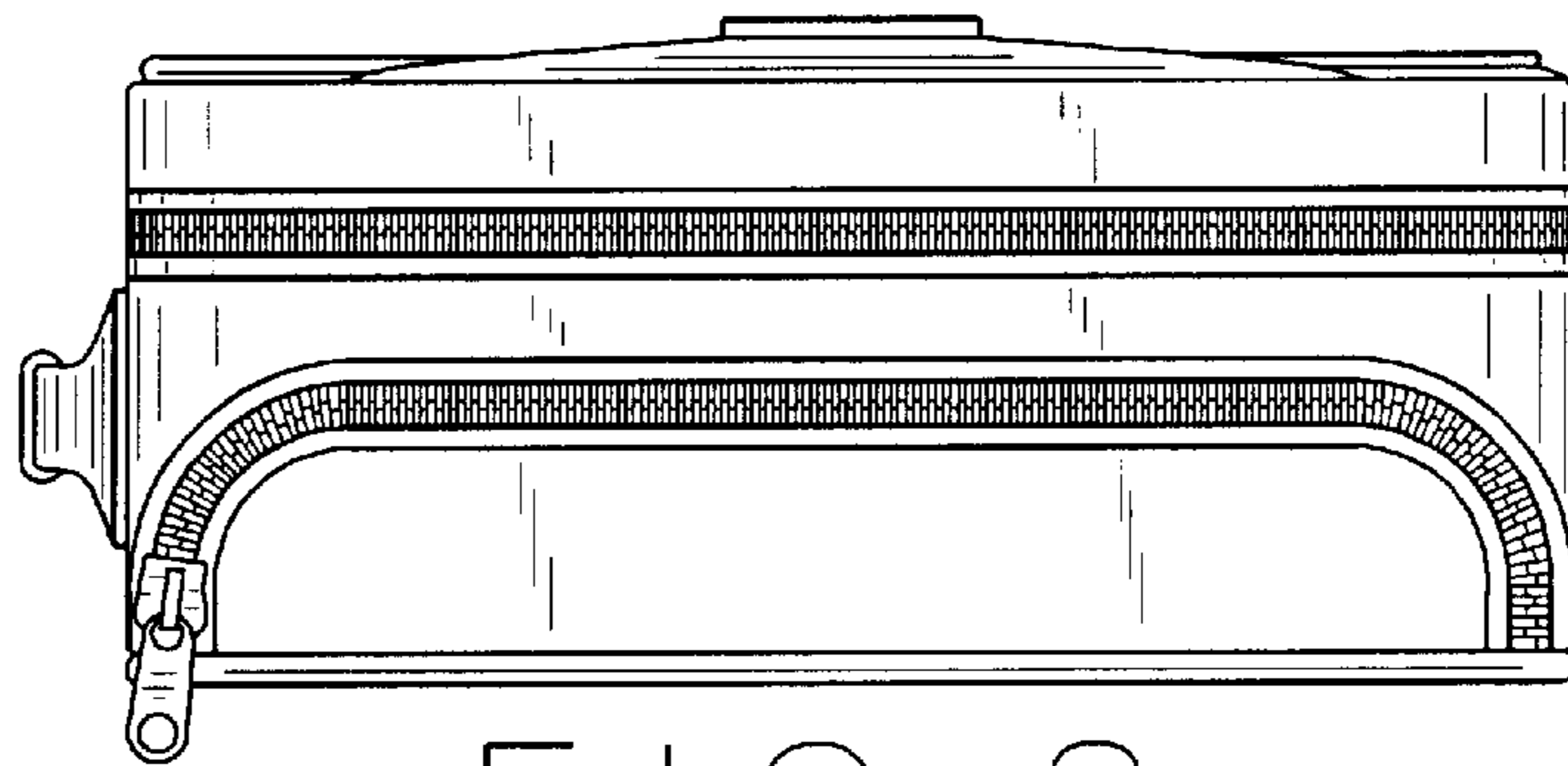


FIG. 2

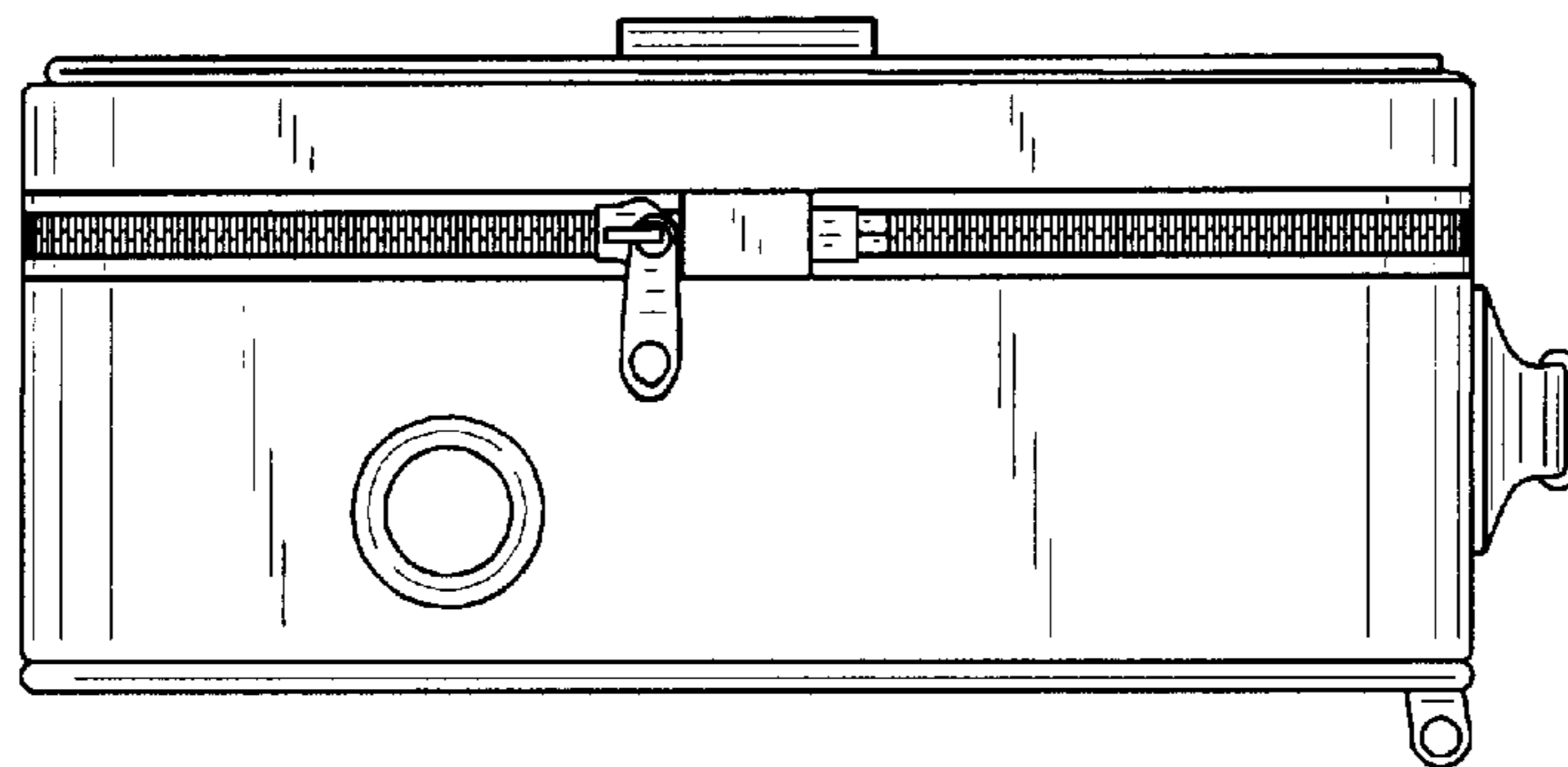


FIG. 3

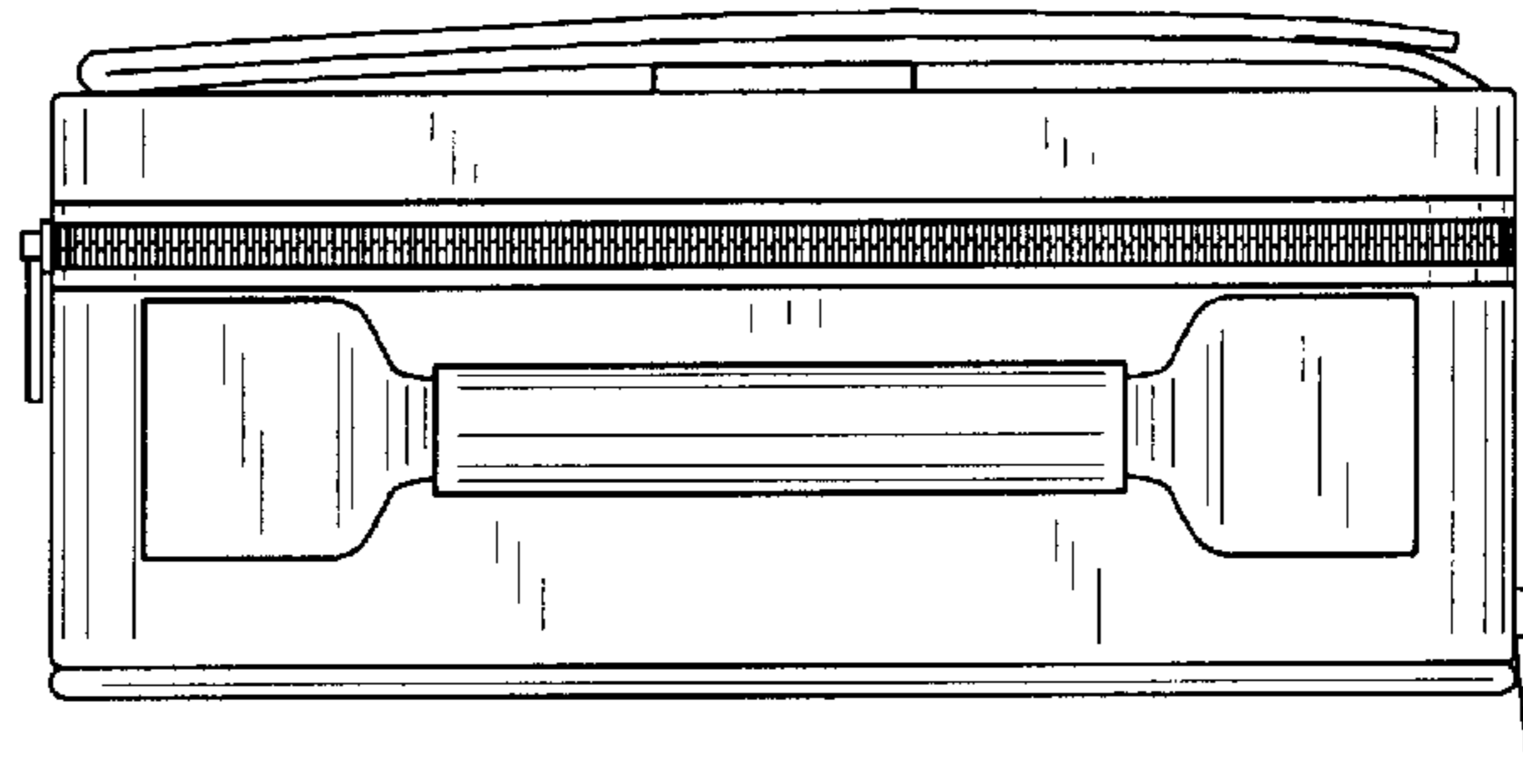


FIG. 4

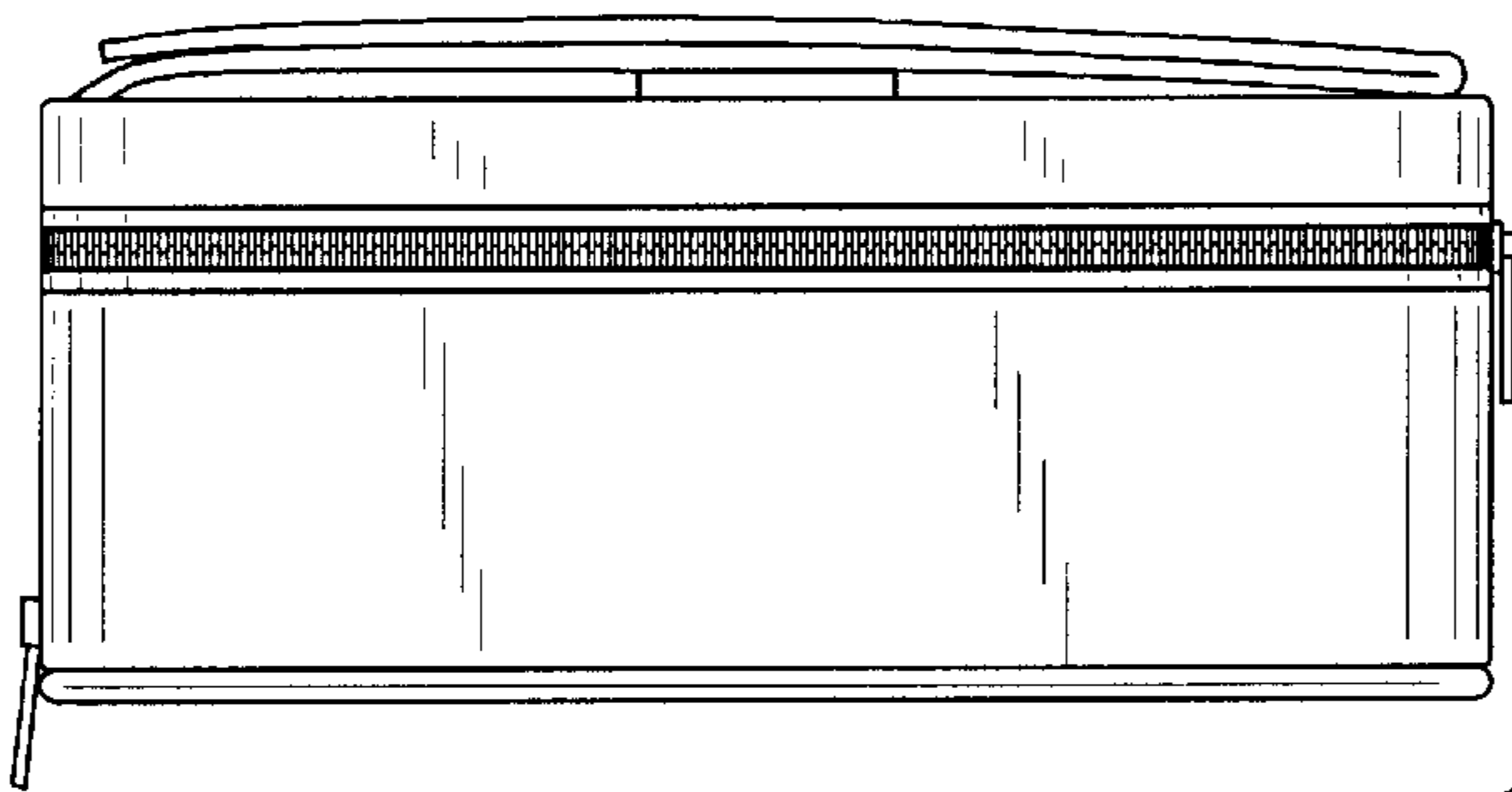


FIG. 5

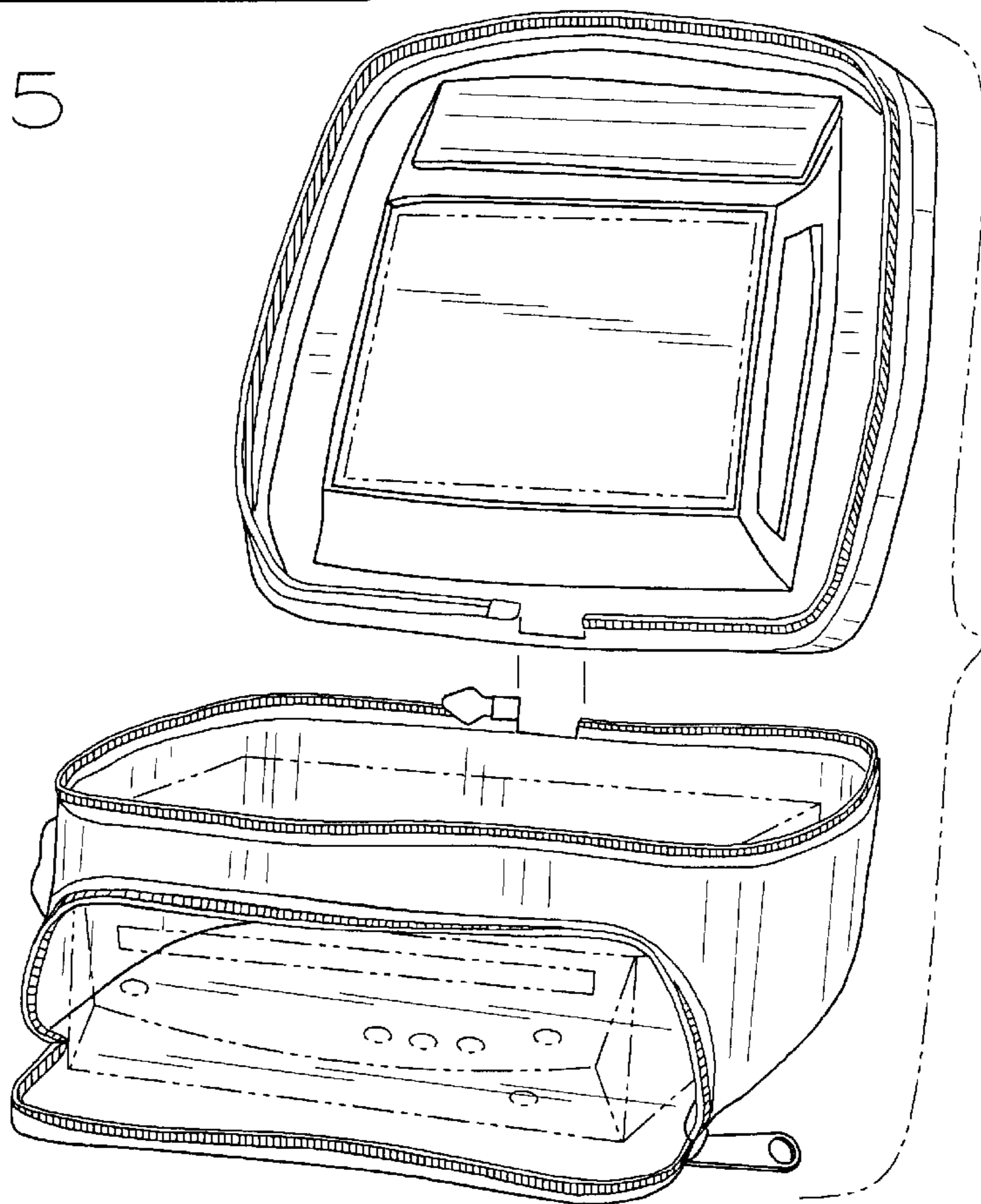


FIG. 8

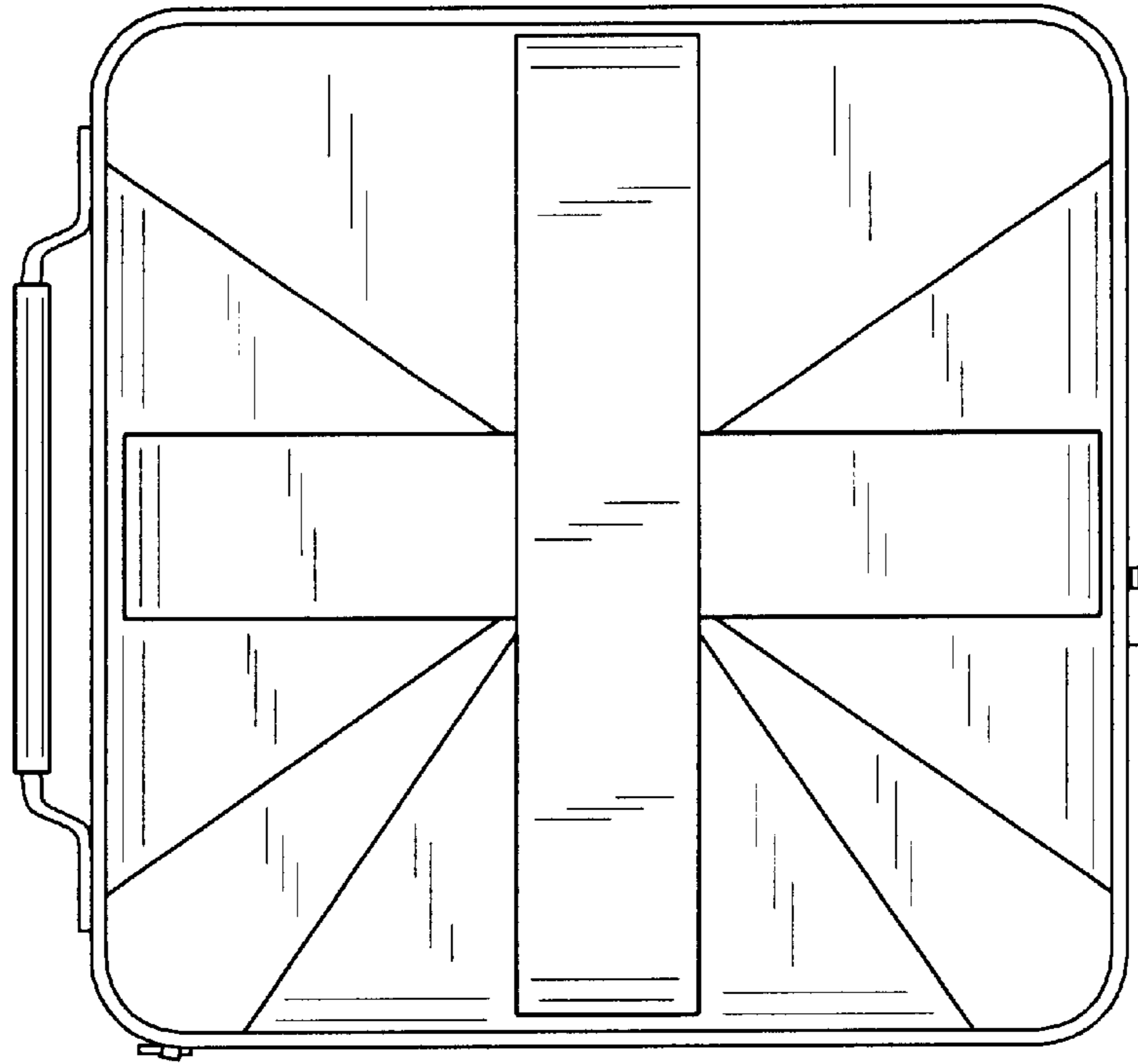


FIG. 6

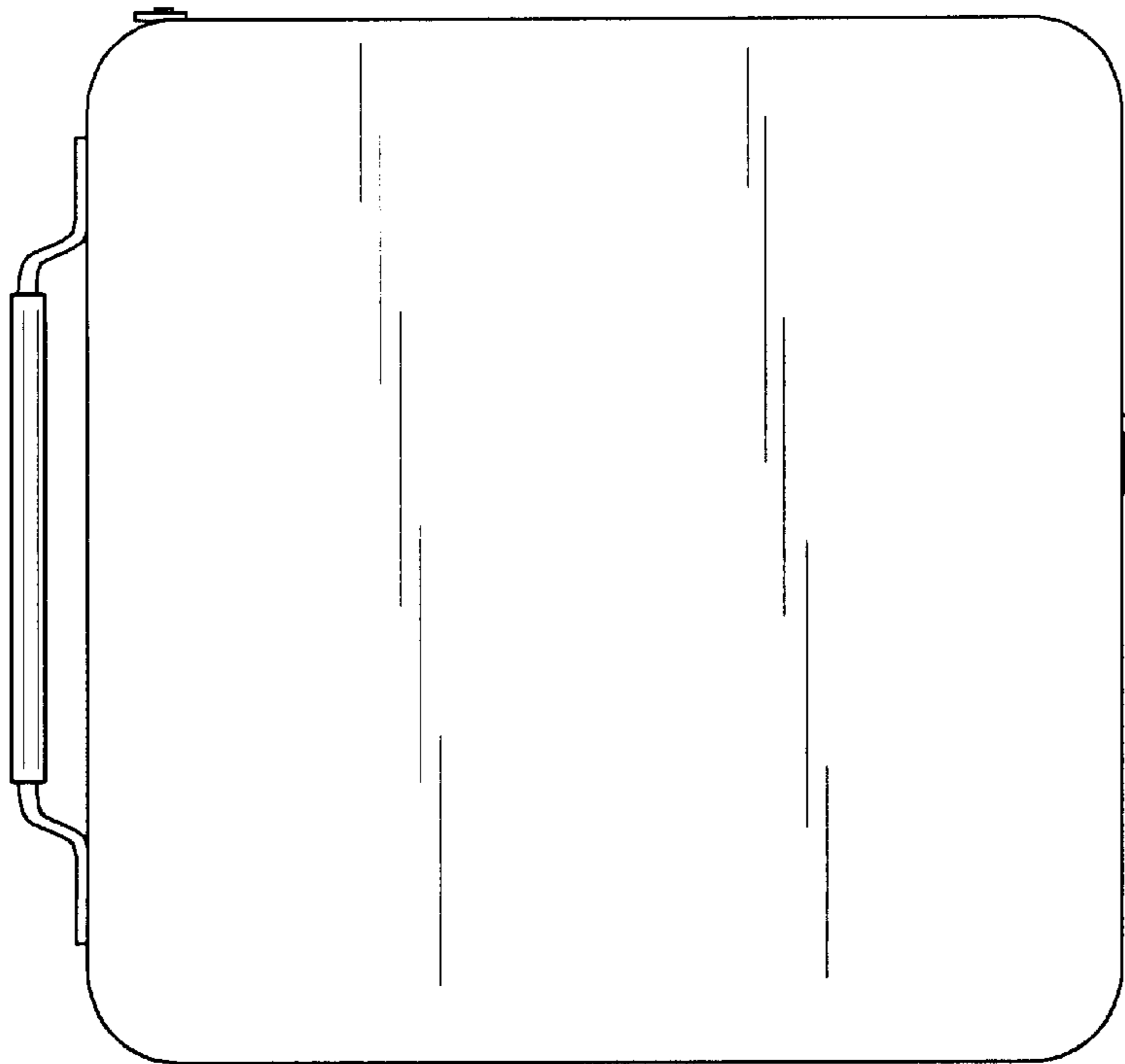


FIG. 7