



US00D518292S

(12) **United States Design Patent**
Nakagawa

(10) **Patent No.:** **US D518,292 S**

(45) **Date of Patent:** **** Apr. 4, 2006**

(54) **CONTACT LENS CONTAINER FOR USE IN A REFRIGERATOR**

(75) Inventor: **Makoto Nakagawa**, Nagoya (JP)

(73) Assignee: **Menicon Co., Inc.** (JP)

(**) Term: **14 Years**

(21) Appl. No.: **29/197,213**

(22) Filed: **Jan. 9, 2004**

(51) **LOC (8) Cl.** **03-01**

(52) **U.S. Cl.** **D3/264; D3/263**

(58) **Field of Classification Search** D3/219,
D3/263, 264, 265, 252; 206/5, 5.1, 6
See application file for complete search history.

(56) **References Cited**

U.S. PATENT DOCUMENTS

D212,480 S	*	10/1968	Mead	D30/114
D333,093 S	*	2/1993	Rehrig et al.	D9/456
D357,579 S	*	4/1995	Abrams et al.	D3/264
D458,023 S	*	6/2002	Dzwill et al.	D3/264
D485,452 S	*	1/2004	Boron et al.	D6/469

D496,790 S * 10/2004 Dzwill et al. D3/264

* cited by examiner

Primary Examiner—Celia A. Murphy

(74) *Attorney, Agent, or Firm*—Rossi, Kimms & McDowell, LLP

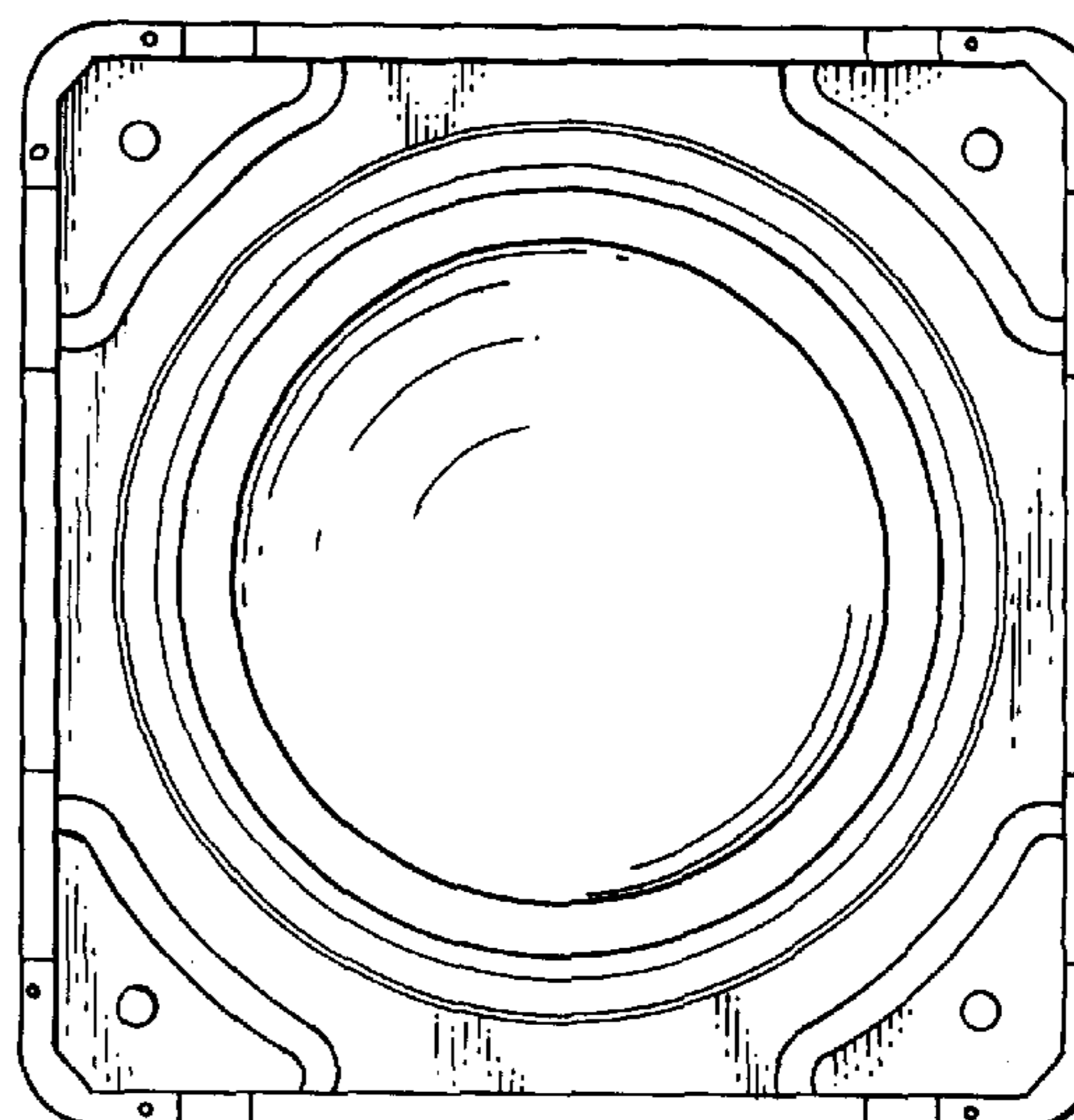
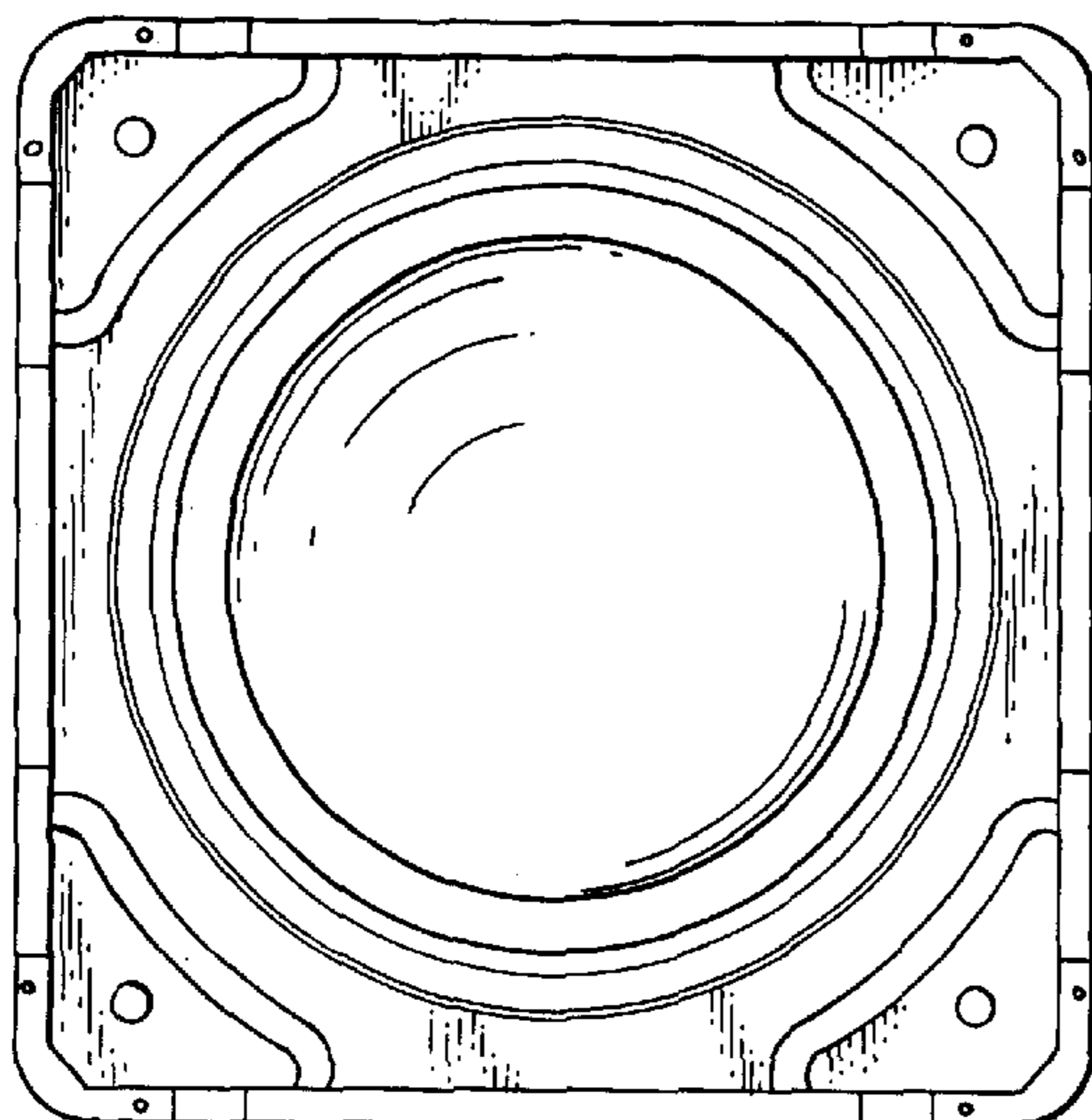
(57) **CLAIM**

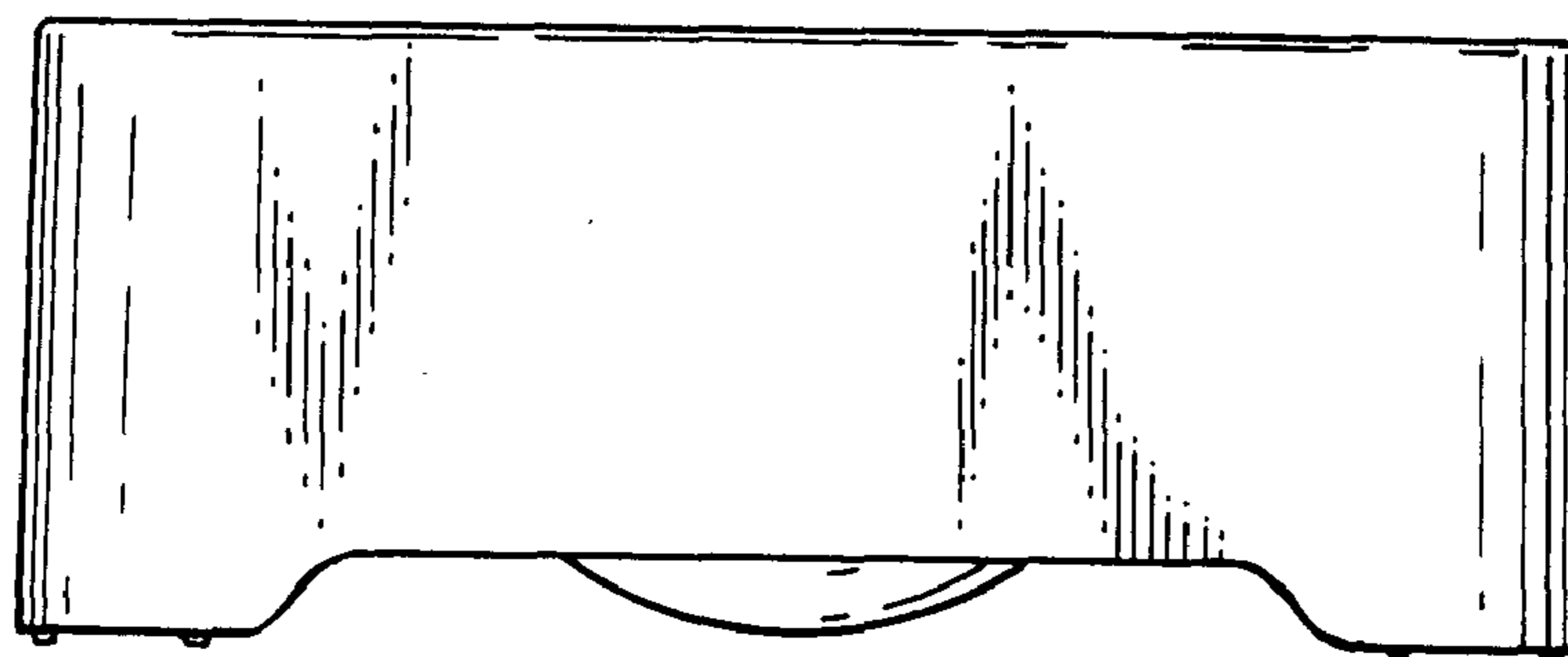
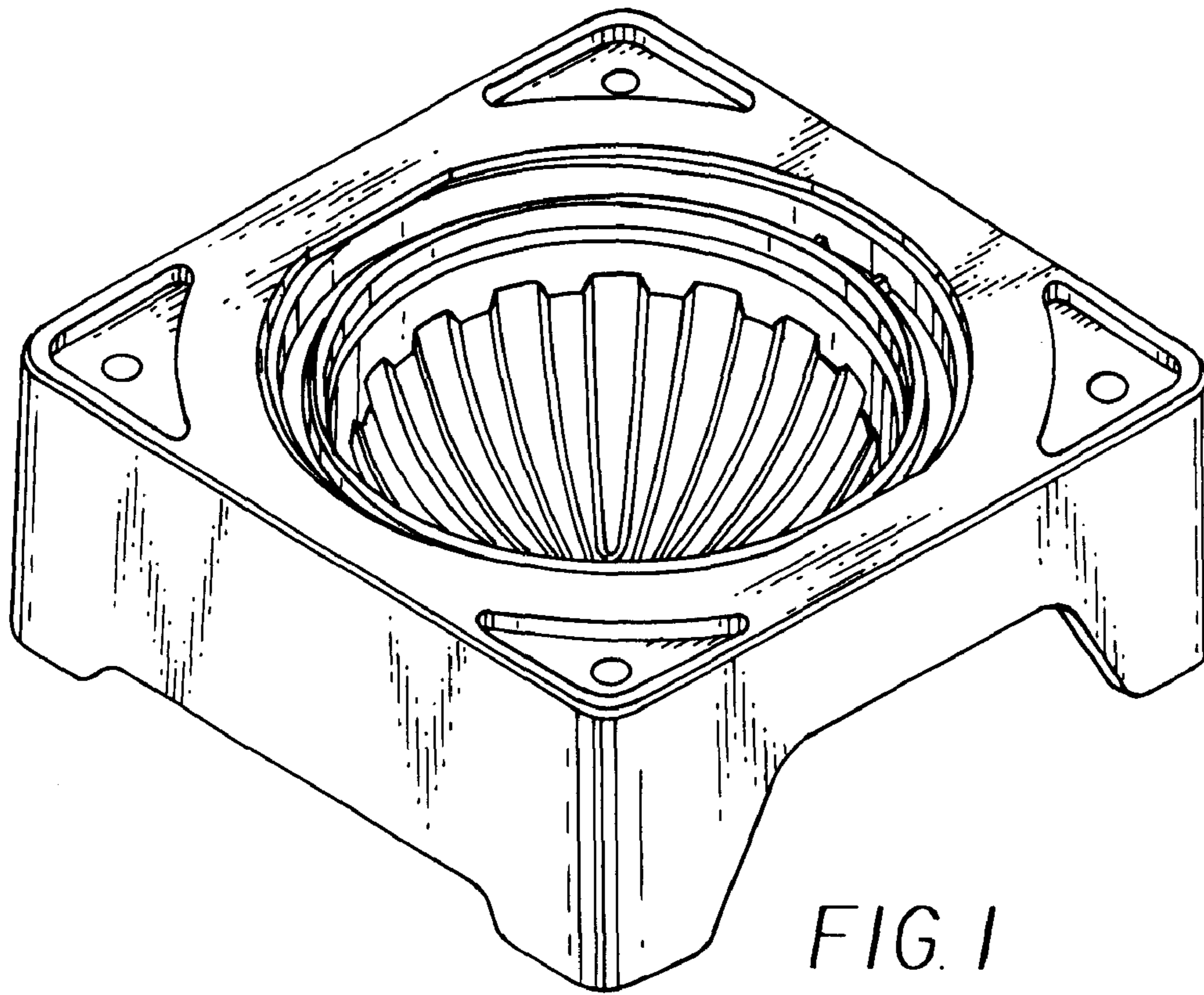
The ornamental design for a contact lens container for use in a refrigerator, as shown and described.

DESCRIPTION

FIG. 1 is a top perspective view of a contact lens container for use in a refrigerator showing my new design;
FIG. 2 is a front elevational view thereof, the rear side elevation being a mirror image;
FIG. 3 is a right side elevational view thereof, the left side elevation being a mirror image;
FIG. 4 is a top plane view thereof;
FIG. 5 is a bottom plane view thereof; and,
FIG. 6 is a cross sectional view taken along line 6—6 of FIG. 4.

1 Claim, 3 Drawing Sheets





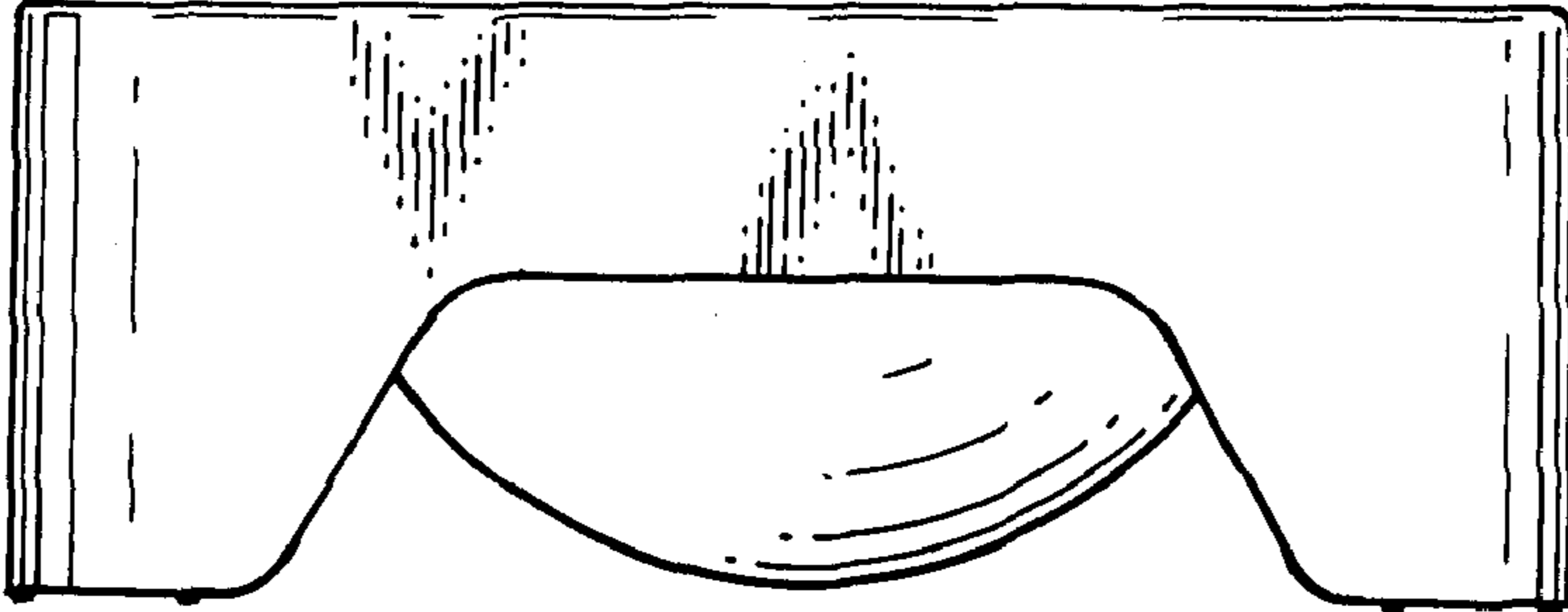


FIG. 3

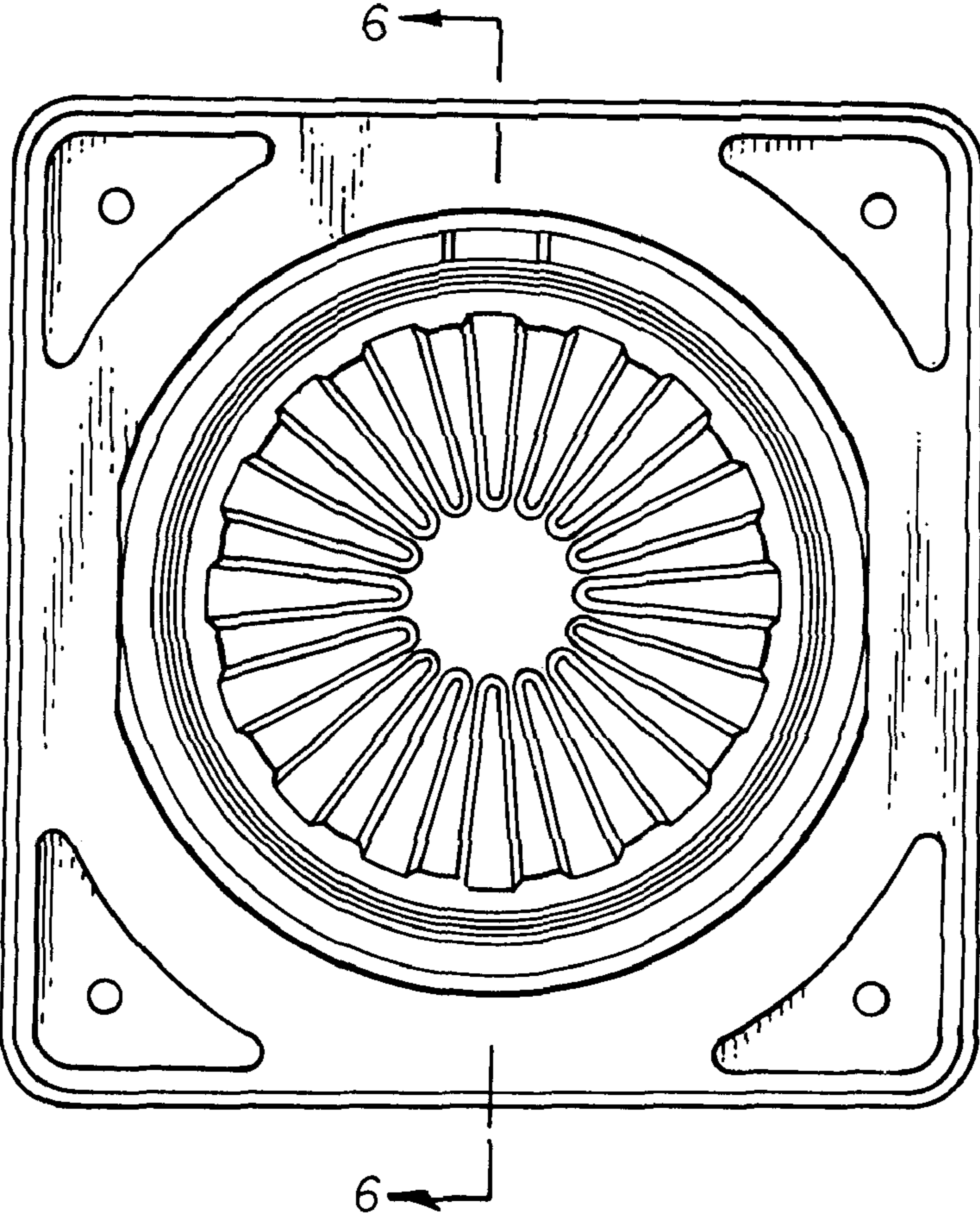


FIG. 4

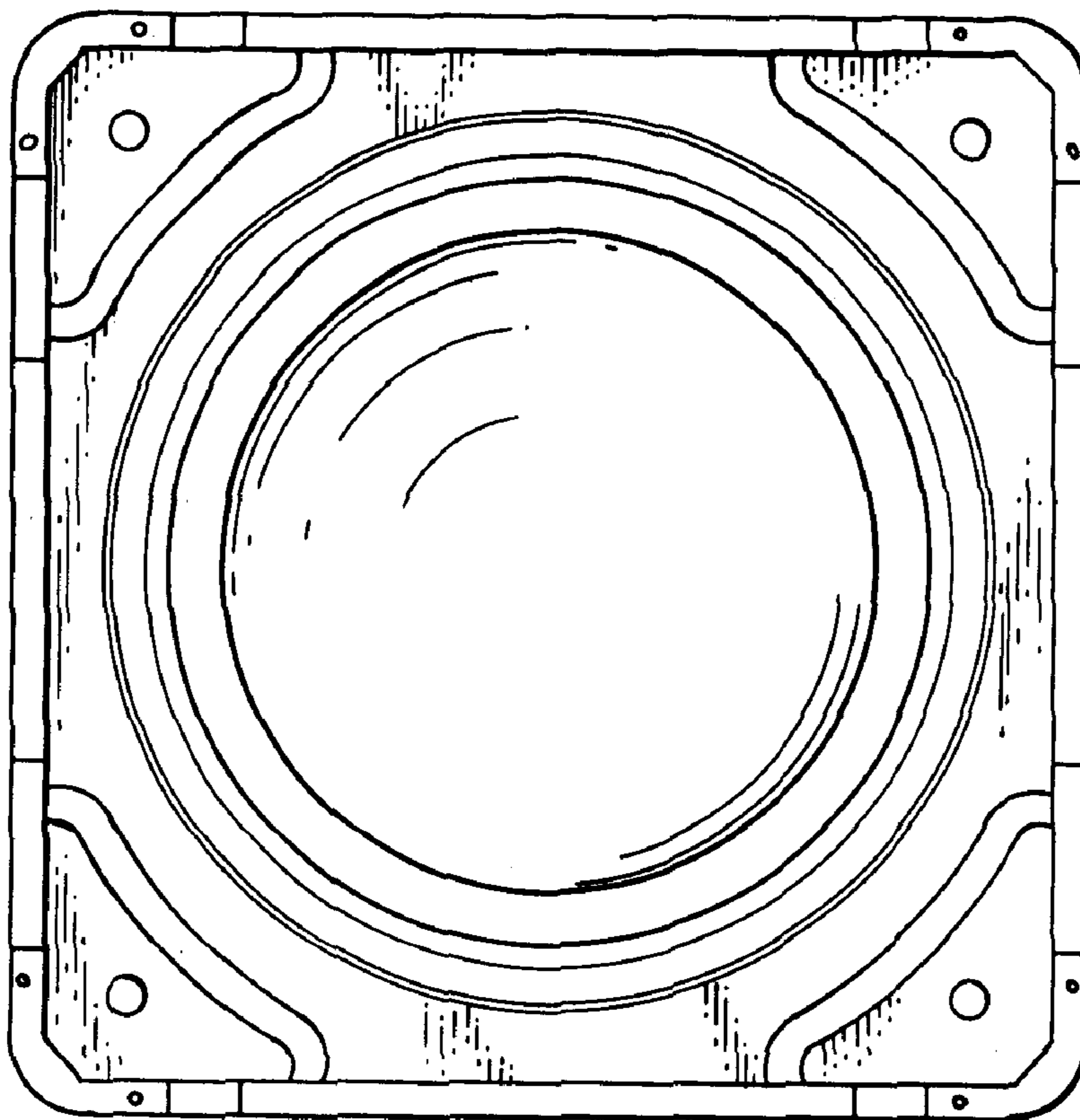


FIG. 5

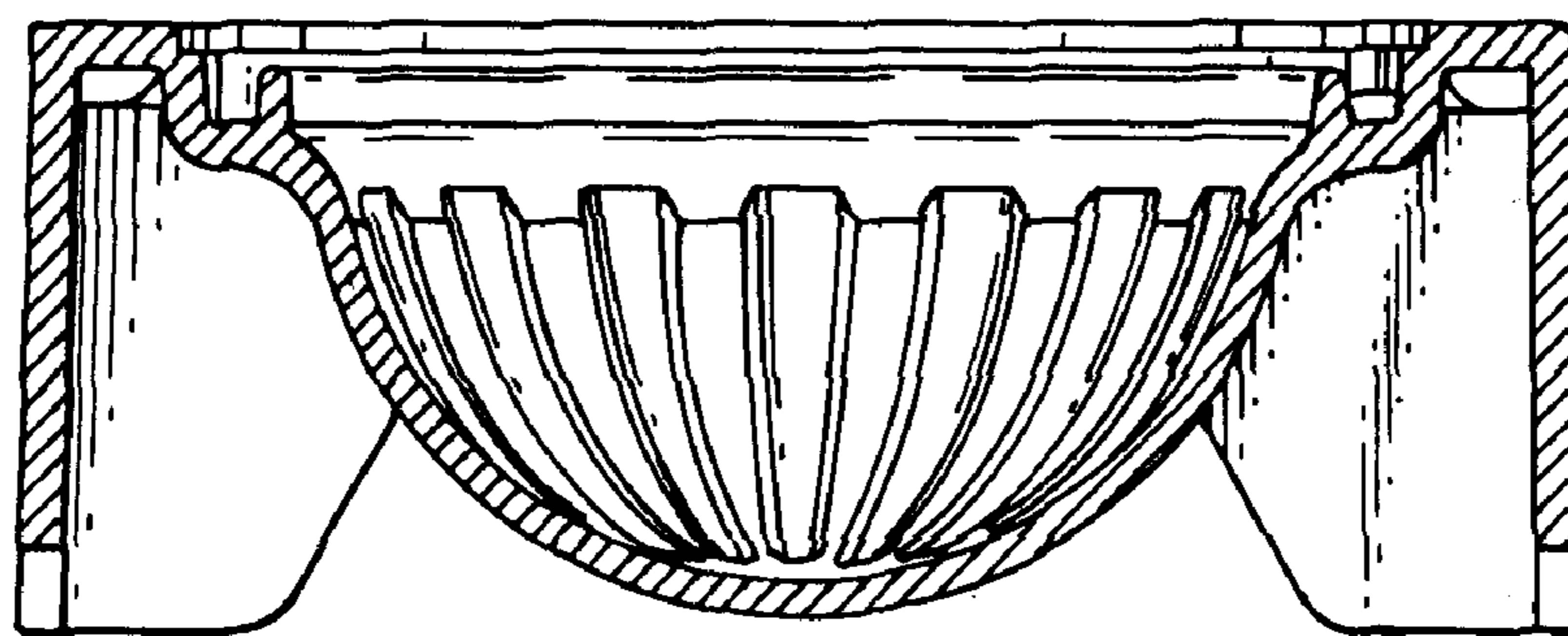


FIG. 6

UNITED STATES PATENT AND TRADEMARK OFFICE
CERTIFICATE OF CORRECTION

PATENT NO. : Des. 518,292 S
APPLICATION NO. : 29/197213
DATED : April 4, 2006
INVENTOR(S) : Makoto Nakagawa

Page 1 of 1

It is certified that error appears in the above-identified patent and that said Letters Patent is hereby corrected as shown below:

In the Title page: “(73) Assignee: Menicon Co., Inc. (JP)”

should correctly read as

--(73) Assignee: Menicon Co., Ltd. (JP)--

Signed and Sealed this

Fourth Day of December, 2007

A handwritten signature in black ink on a light gray dotted background. The signature reads "Jon W. Dudas" in a cursive style.

JON W. DUDAS

Director of the United States Patent and Trademark Office

UNITED STATES PATENT AND TRADEMARK OFFICE
CERTIFICATE OF CORRECTION

PATENT NO. : Des 518,292 S
APPLICATION NO. : 29/197213
DATED : April 4, 2006
INVENTOR(S) : Makoto Nakagawa

Page 1 of 1

It is certified that error appears in the above-identified patent and that said Letters Patent is hereby corrected as shown below:

In the title page item: “(73) Assignee: Menicon Co., Inc. (JP)”

should correctly read as

--(73) Assignee: Menicon Co., Ltd. (JP)--

Signed and Sealed this

Twenty-fifth Day of December, 2007

A handwritten signature in black ink that reads "Jon W. Dudas". The signature is written in a cursive style with a large, looped initial "J".

JON W. DUDAS

Director of the United States Patent and Trademark Office