



US00D518290S

(12) **United States Design Patent** (10) **Patent No.:** **US D518,290 S**
Andre et al. (45) **Date of Patent:** **** Apr. 4, 2006**

(54) **HANDHELD DEVICE HOUSING**
(75) Inventors: **Bartley K. Andre**, Menlo Park, CA (US); **Daniel J. Coster**, San Francisco, CA (US); **Daniele De Iuliis**, San Francisco, CA (US); **Richard P. Howarth**, San Francisco, CA (US); **Jonathan P. Ive**, San Francisco, CA (US); **Steve Jobs**, Palo Alto, CA (US); **Duncan Robert Kerr**, San Francisco, CA (US); **Stephen Brian Lynch**, Alamo, CA (US); **Shin Nishibori**, San Francisco, CA (US); **Matthew Dean Rohrbach**, San Francisco, CA (US); **Douglas B. Satzger**, Menlo Park, CA (US); **Calvin Q. Seid**, Palo Alto, CA (US); **Christopher J. Stringer**, Portola Valley, CA (US); **Eugene Antony Whang**, San Francisco, CA (US); **Stephen Paul Zadesky**, San Carlos, CA (US)

(73) Assignee: **Apple Computer, Inc.**, Cupertino, CA (US)

(**) Term: **14 Years**

(21) Appl. No.: **29/208,793**

(22) Filed: **Jul. 2, 2004**

(51) **LOC (8) Cl.** **03-01**

(52) **U.S. Cl.** **D3/218**

(58) **Field of Classification Search** D3/218,
D3/215, 219, 226, 299; 224/240, 245, 901,
224/904, 236, 600, 666, 682-683; 379/455;
206/320, 305

See application file for complete search history.

(56) **References Cited**

U.S. PATENT DOCUMENTS

D264,969 S 6/1982 McGourty D14/496
4,901,852 A * 2/1990 King 206/320
4,976,435 A 12/1990 Shatford et al. 463/36

5,192,082 A 3/1993 Inoue et al. 273/435
5,598,926 A * 2/1997 Vogt D3/218
5,661,632 A 8/1997 Register 361/683
D412,940 S 8/1999 Kato et al. D21/234
D414,926 S * 10/1999 Reina D3/218
5,964,661 A 10/1999 Dodge 463/24
D426,701 S * 6/2000 Edwards et al. D3/218
D430,169 S 8/2000 Scibora D14/496
6,122,526 A 9/2000 Parulski et al. 455/556

(Continued)

OTHER PUBLICATIONS

Andre et al., "Media Device," U.S. Appl. No. 29/180,558, filed Apr. 25, 2003.

Zadesky et al., "Movable touch pad with added functionality", U.S. Appl. No. 10/643,256, filed Aug. 18, 2003.

Zadesky et al., "Handheld Computing Device", U.S. Appl. No. 10/884,172, filed Jul. 2, 2004.

Primary Examiner—Catherine R. Oliver

(74) *Attorney, Agent, or Firm*—Beyer Weaver & Thomas, LLP

(57) **CLAIM**

We claim the ornamental design for a handheld device housing, substantially as shown and described.

DESCRIPTION

FIG. 1 is a front and top perspective view of a handheld device housing in accordance with the present design;

FIG. 2 is a rear perspective view of the handheld device housing in accordance with the present design.

FIG. 3 is a front view for the handheld device housing.

FIG. 4 is a rear view for the handheld device housing.

FIG. 5 is a top view for the handheld device housing.

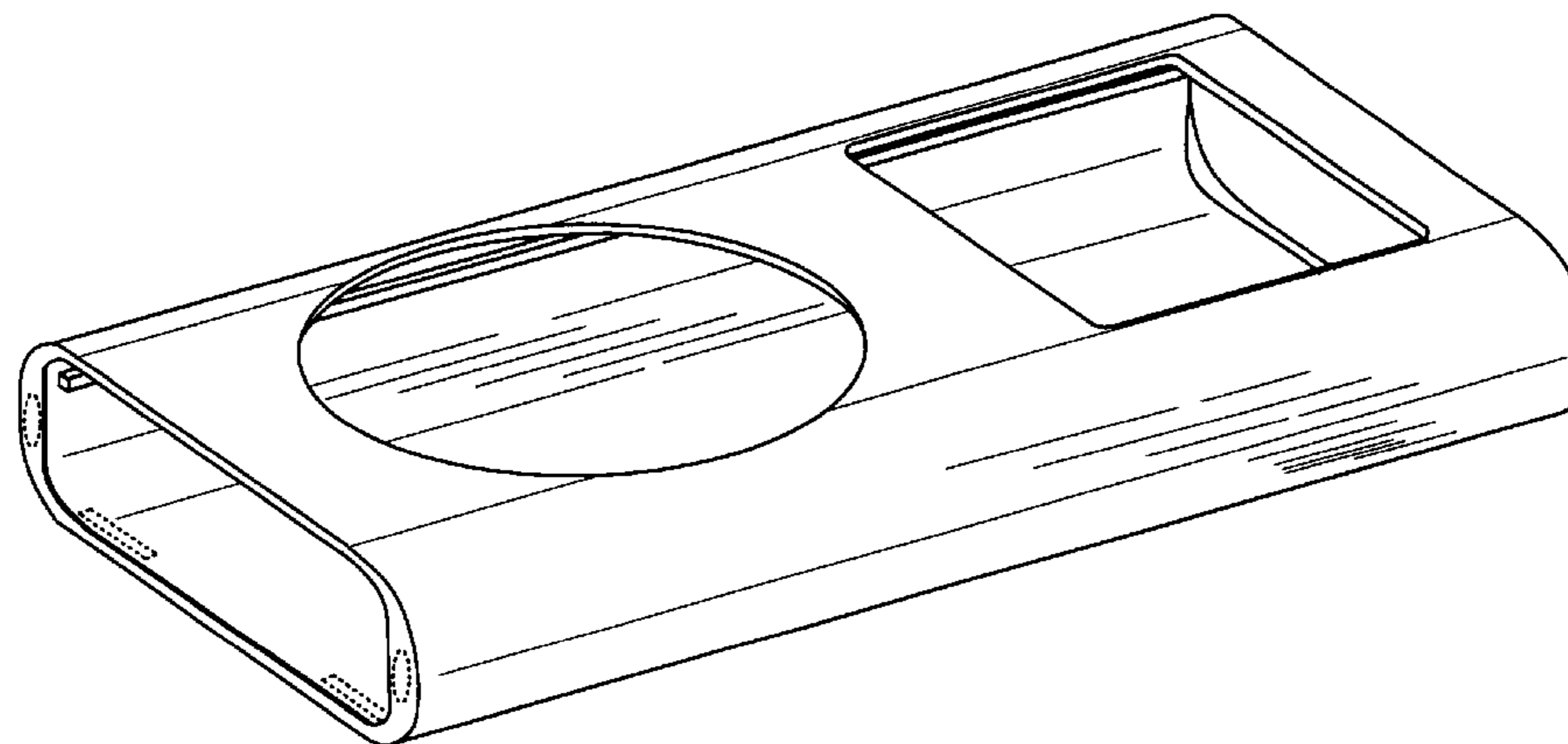
FIG. 6 is a bottom view for the handheld device housing.

FIG. 7 is a right side view for the handheld device housing; and,

FIG. 8 is a left side view for the handheld device housing.

The broken line showing of environment in the drawings is for illustrative purposes only and forms no part of the claimed design.

1 Claim, 3 Drawing Sheets



US D518,290 S

Page 2

U.S. PATENT DOCUMENTS

D437,860 S	2/2001	Suzuki et al.	D14/496	D455,793 S	4/2002	Lin	D21/329
6,227,966 B1	5/2001	Yokoi	463/1	D468,365 S	1/2003	Bransky et al.	D21/329
6,254,477 B1	7/2001	Sasaki et al.	463/1	D469,109 S	1/2003	Andre et al.	D14/496
6,262,785 B1	7/2001	Kim	349/58	D472,245 S	3/2003	Andre et al.	D14/496
D448,810 S	10/2001	Goto	D21/332	D483,809 S	12/2003	Lim	D21/324
D450,713 S	11/2001	Masamitsu et al.	D14/496	D489,731 S	5/2004	Huang	D14/496
6,314,483 B1	11/2001	Goto et al.	710/107	D499,546 S *	12/2004	Smithers	D3/218
D452,250 S	12/2001	Chan	D14/496	2004/0154941 A1 *	8/2004	Montier	206/320

* cited by examiner

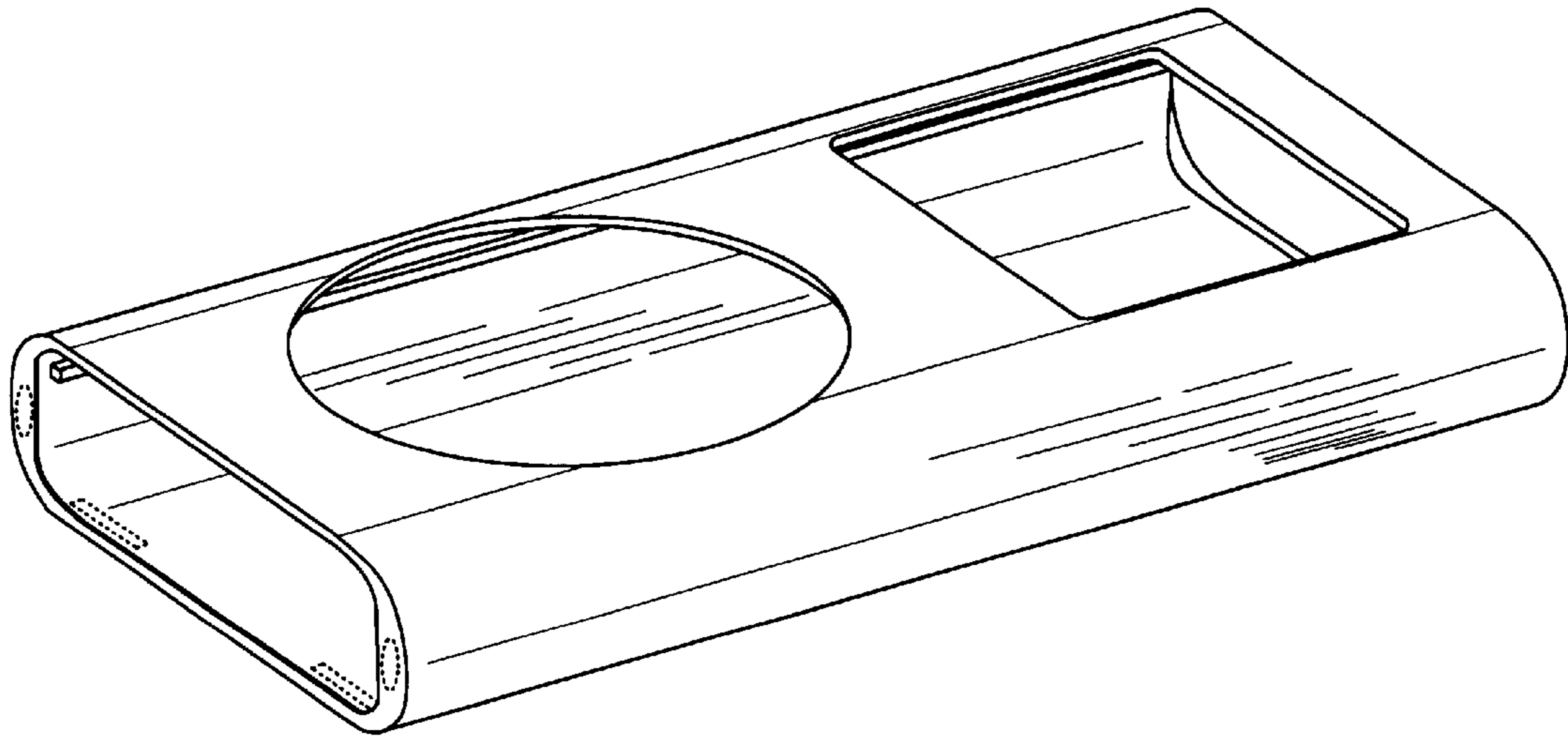


FIG. 1

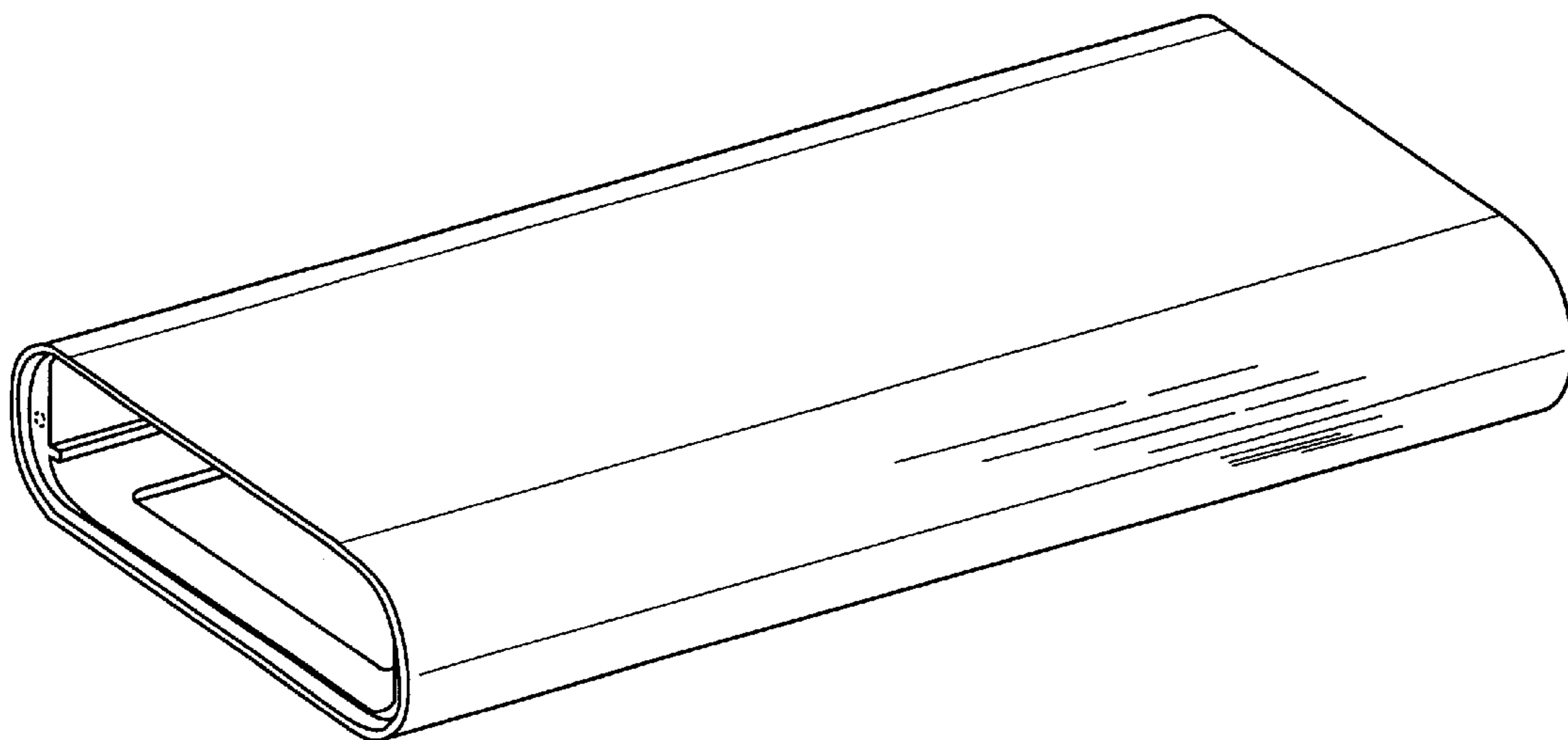


FIG. 2



FIG. 4

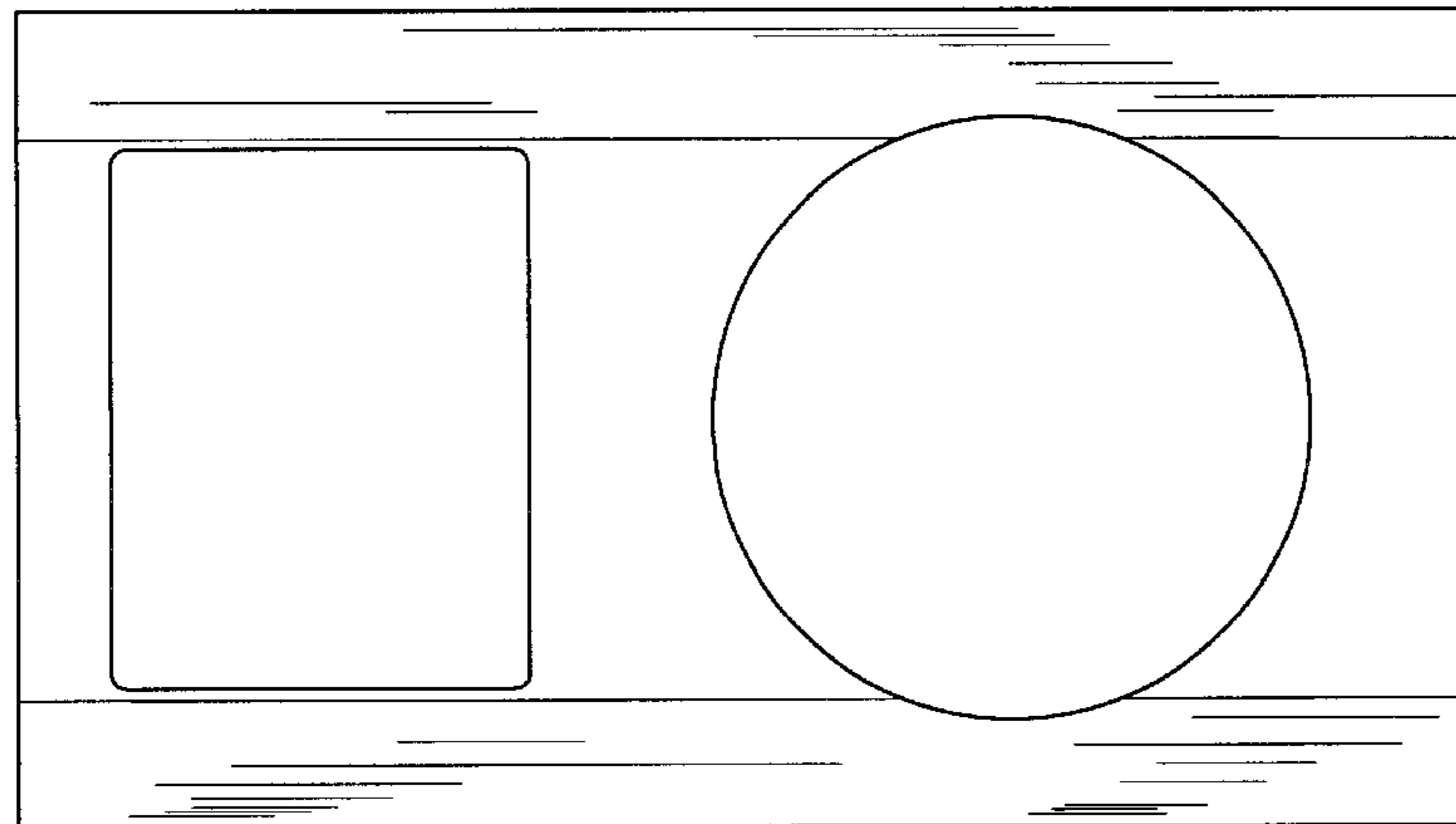


FIG. 3



FIG. 5



FIG. 6

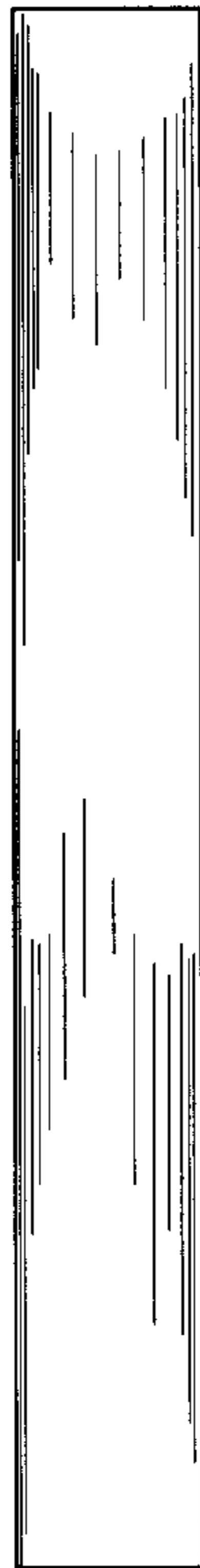


FIG. 7

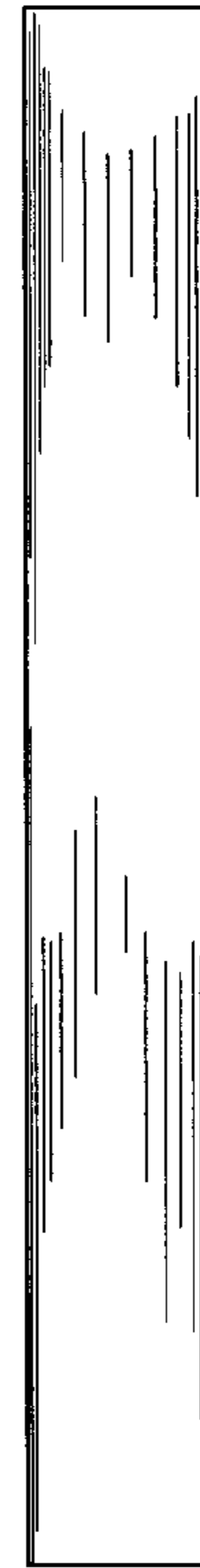


FIG. 8