



US00D518287S

(12) **United States Design Patent**  
**Margiotta**

(10) **Patent No.:** **US D518,287 S**

(45) **Date of Patent:** **\*\* Apr. 4, 2006**

(54) **PILL CASE**

(76) **Inventor:** **Lisa Jane Margiotta**, 108 Crofters Rd.,  
Woodbridge, Ontario (CA), L4L 7E3

(\*\*) **Term:** **14 Years**

(21) **Appl. No.:** **29/230,796**

(22) **Filed:** **May 27, 2005**

(51) **LOC (8) Cl.** ..... **03-01**

(52) **U.S. Cl.** ..... **D3/203.3**

(58) **Field of Classification Search** ..... D3/201,  
D3/205, 203.2, 203.3, 219, 239, 265, 294,  
D3/903; D9/736, 739; 206/5, 531-539, 459.1  
See application file for complete search history.

(56) **References Cited**

**U.S. PATENT DOCUMENTS**

D156,330 S	12/1949	Fields	.....	D3/203.3
D232,523 S	8/1974	Nudell	.....	D3/203.3
D246,508 S	11/1977	Nudell	.....	D3/203.3
D281,225 S	11/1985	Leman	.....	D3/203
D349,238 S	* 8/1994	Haber	.....	D3/203.2
D427,060 S	6/2000	Lluch	.....	D3/203.2
D458,837 S	* 6/2002	Cragie	.....	D3/203.2
D462,512 S	* 9/2002	Wolf	.....	D3/205
D463,101 S	9/2002	Gardner	.....	D3/203
D473,372 S	4/2003	Weitzman	.....	D3/203.2
D481,532 S	* 11/2003	Sayers et al.	.....	D3/203.1
D497,103 S	* 10/2004	Malloy et al.	.....	D3/203.2

D497,246 S \* 10/2004 Darst ..... D3/203.2

\* cited by examiner

*Primary Examiner*—Catherine R. Oliver

(74) *Attorney, Agent, or Firm*—Anissimoff & Associates

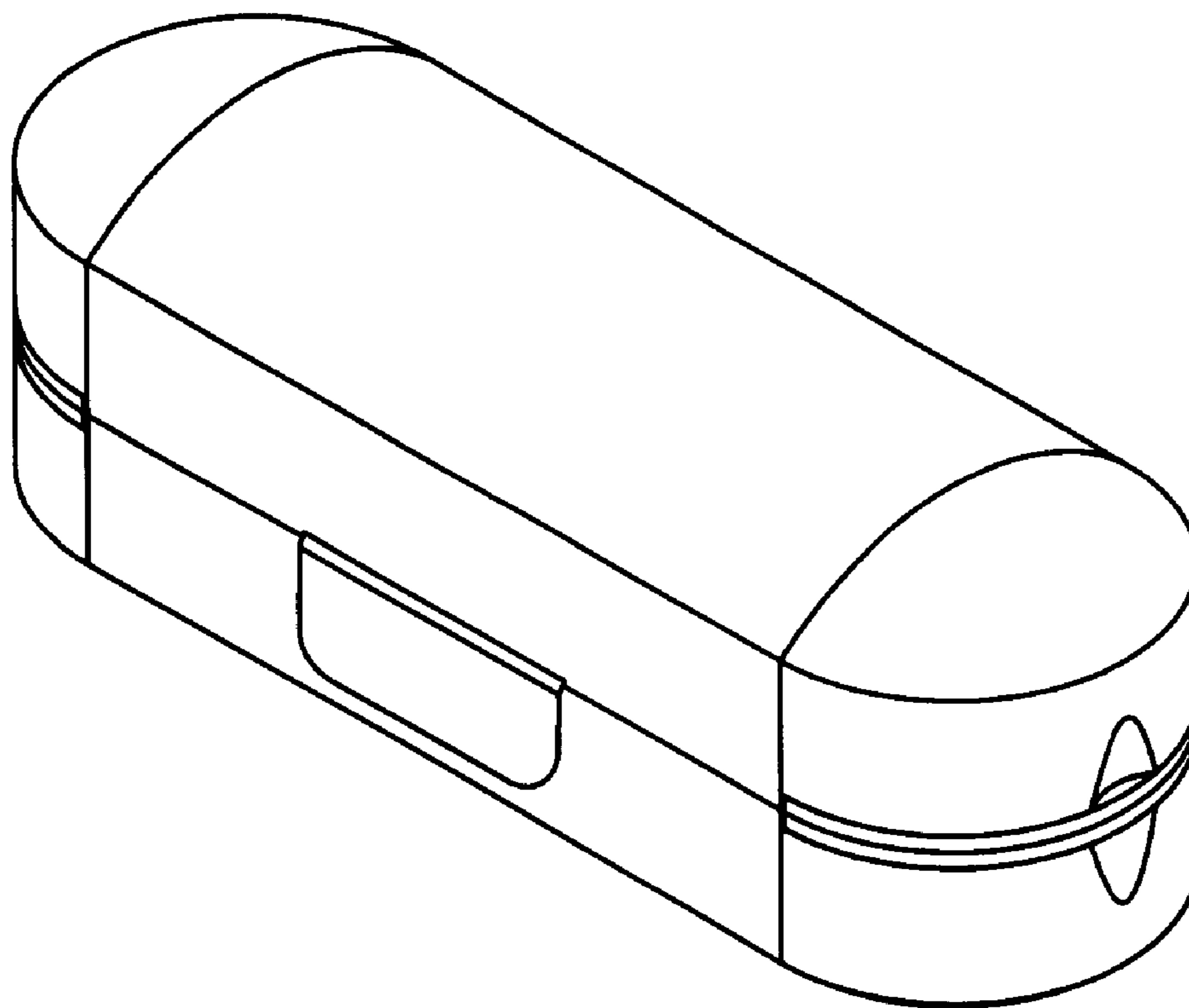
(57) **CLAIM**

The ornamental design for a pill case, as shown and described.

**DESCRIPTION**

FIG. 1 is a front perspective view of the pill case showing my new design, with the doors shown in a closed position; FIG. 2 is a front elevation view thereof; FIG. 3 is an end view thereof; FIG. 4 is a top plan view thereof; FIG. 5 is a front perspective view of the pill case, with the doors shown in an open position and the interior compartment doors closed; FIG. 6 is a front elevation view thereof; FIG. 7 is an end view thereof; FIG. 8 is a top plan view thereof; FIG. 9 is a front perspective view of the pill case, with the doors shown in an open position and the interior compartment doors open; FIG. 10 is a front elevation view thereof; FIG. 11 is an end view thereof; and, FIG. 12 is a top plan view thereof.

**1 Claim, 3 Drawing Sheets**



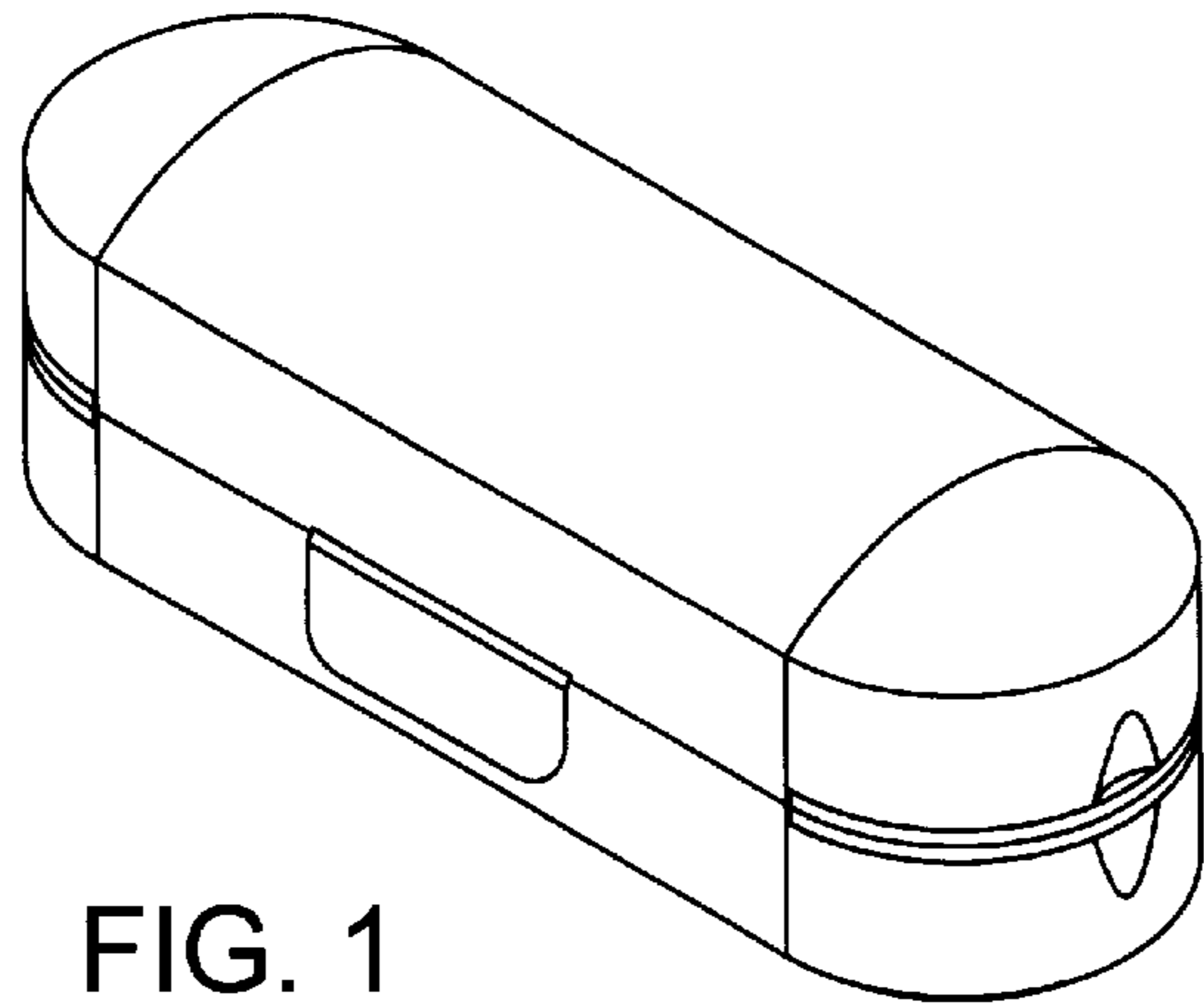


FIG. 1

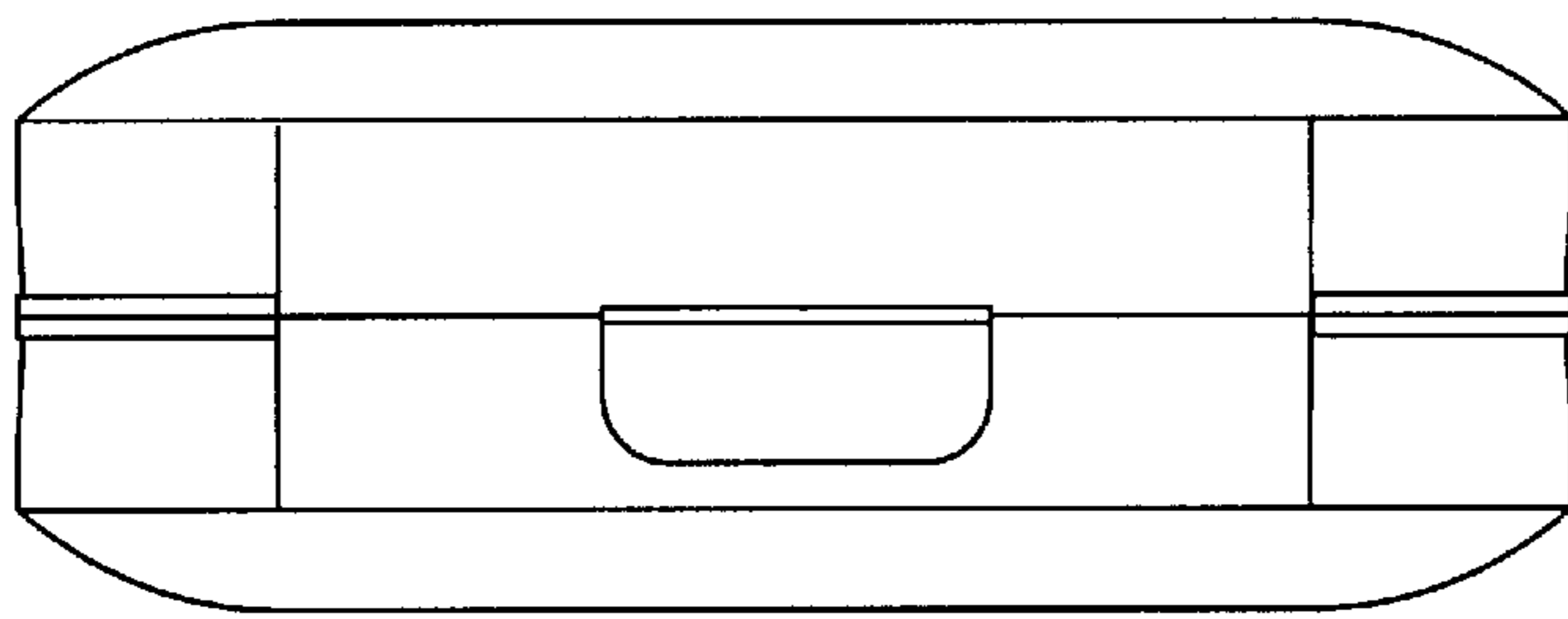


FIG. 2

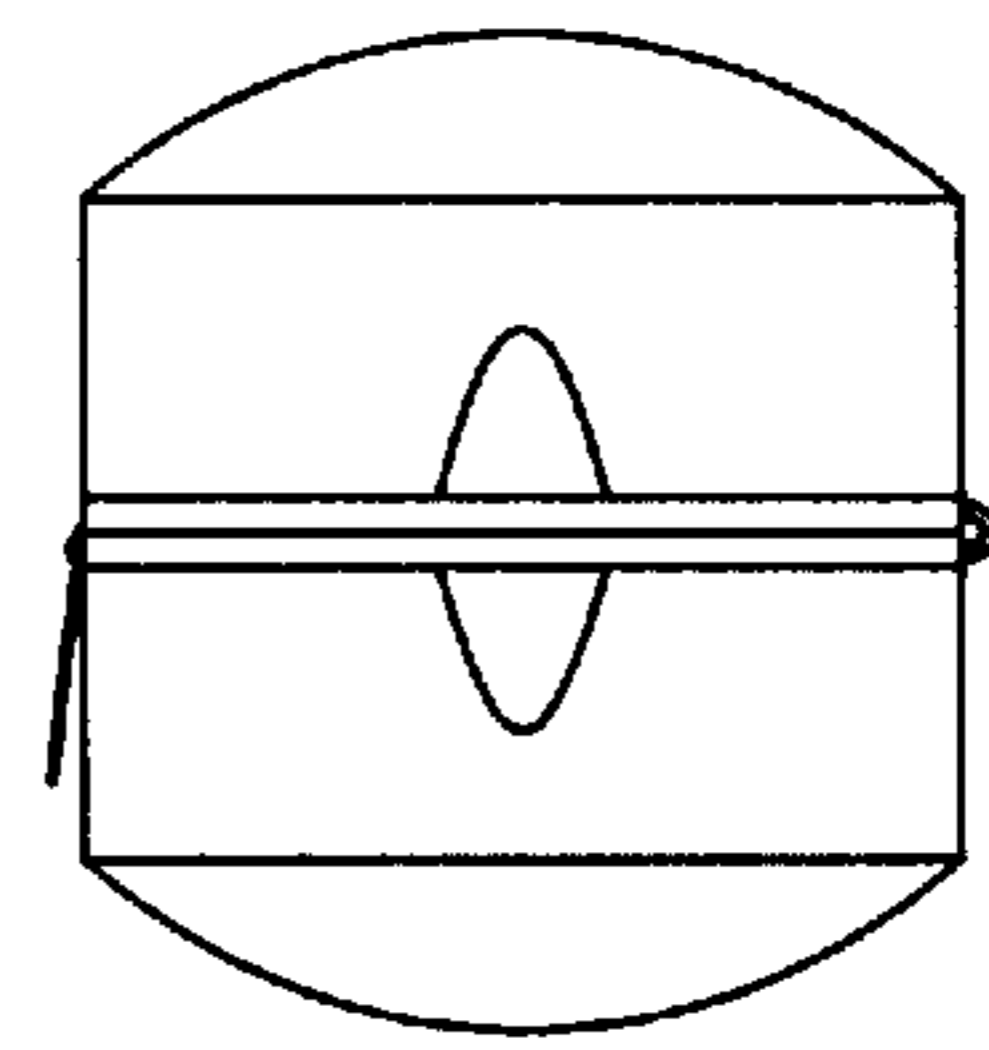


FIG. 3

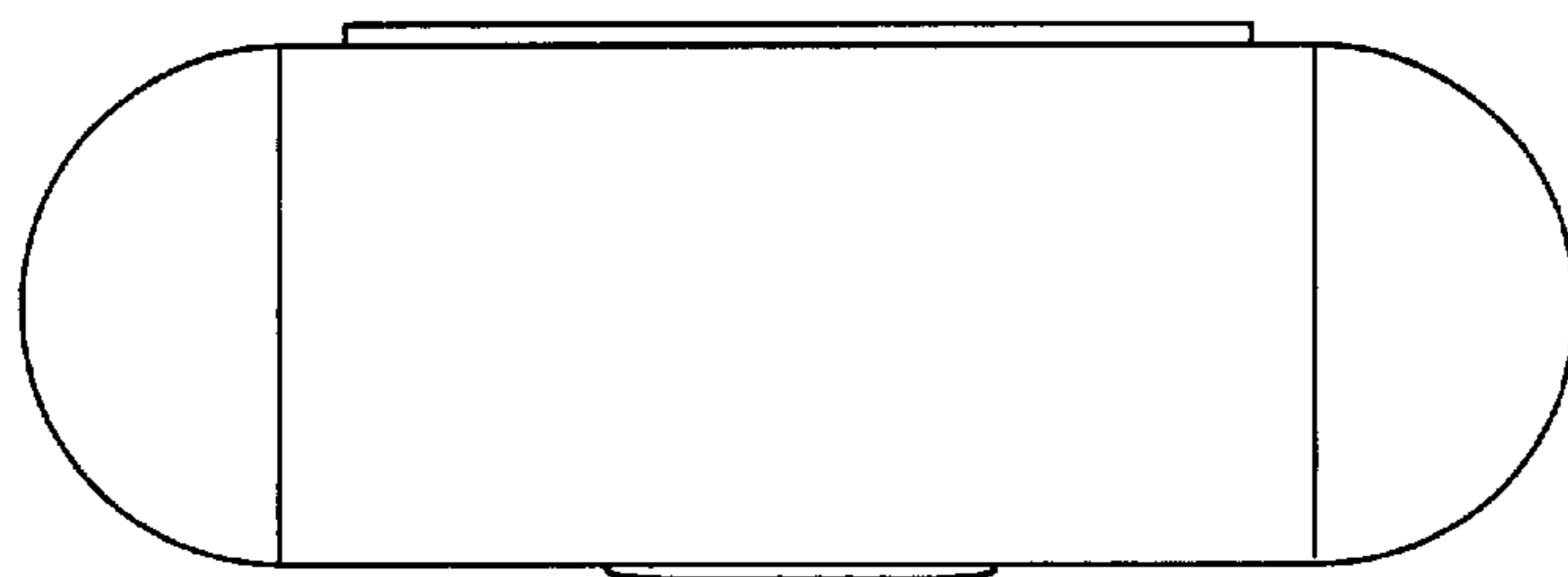


FIG. 4

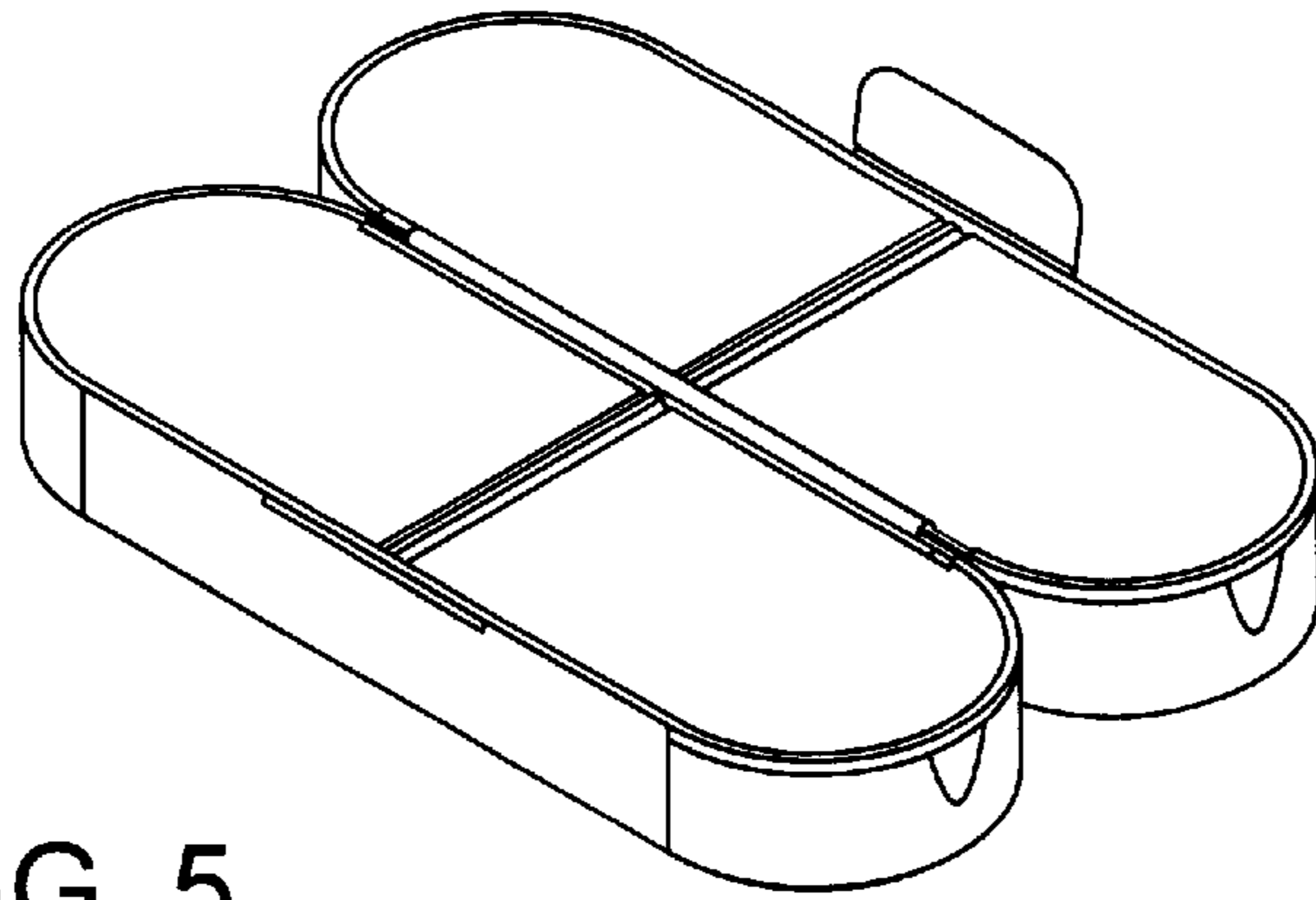


FIG. 5

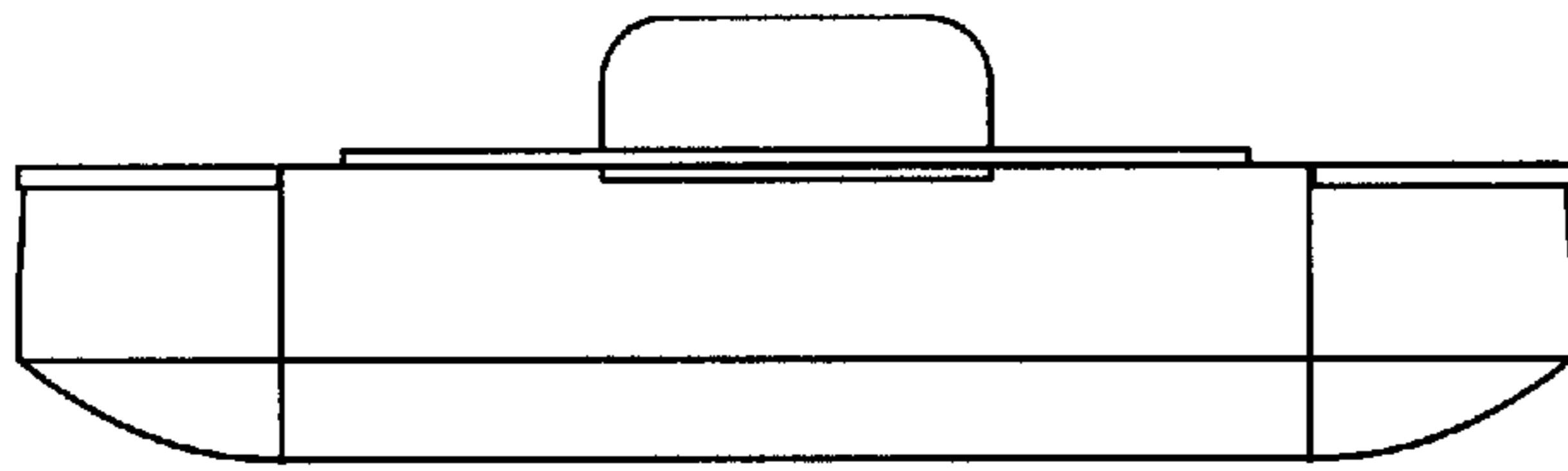


FIG. 6

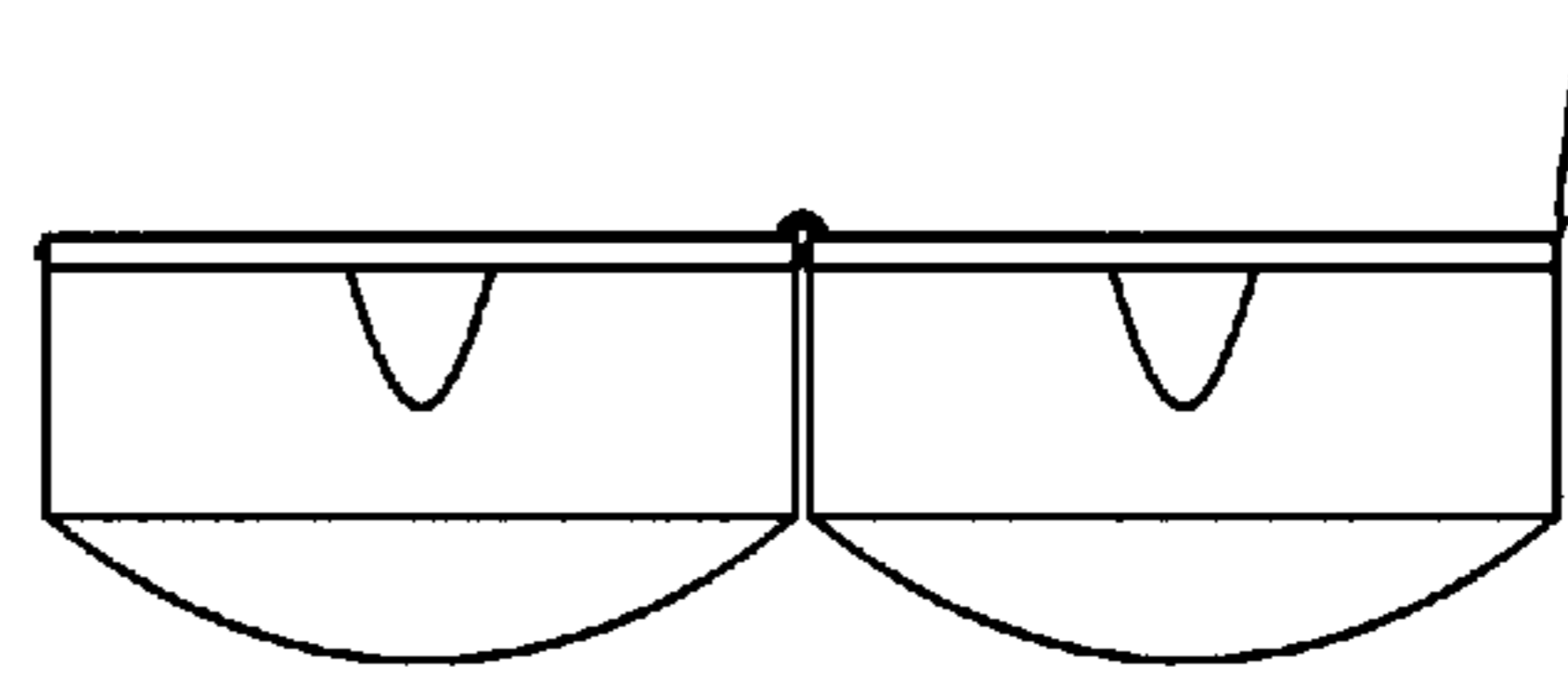


FIG. 7

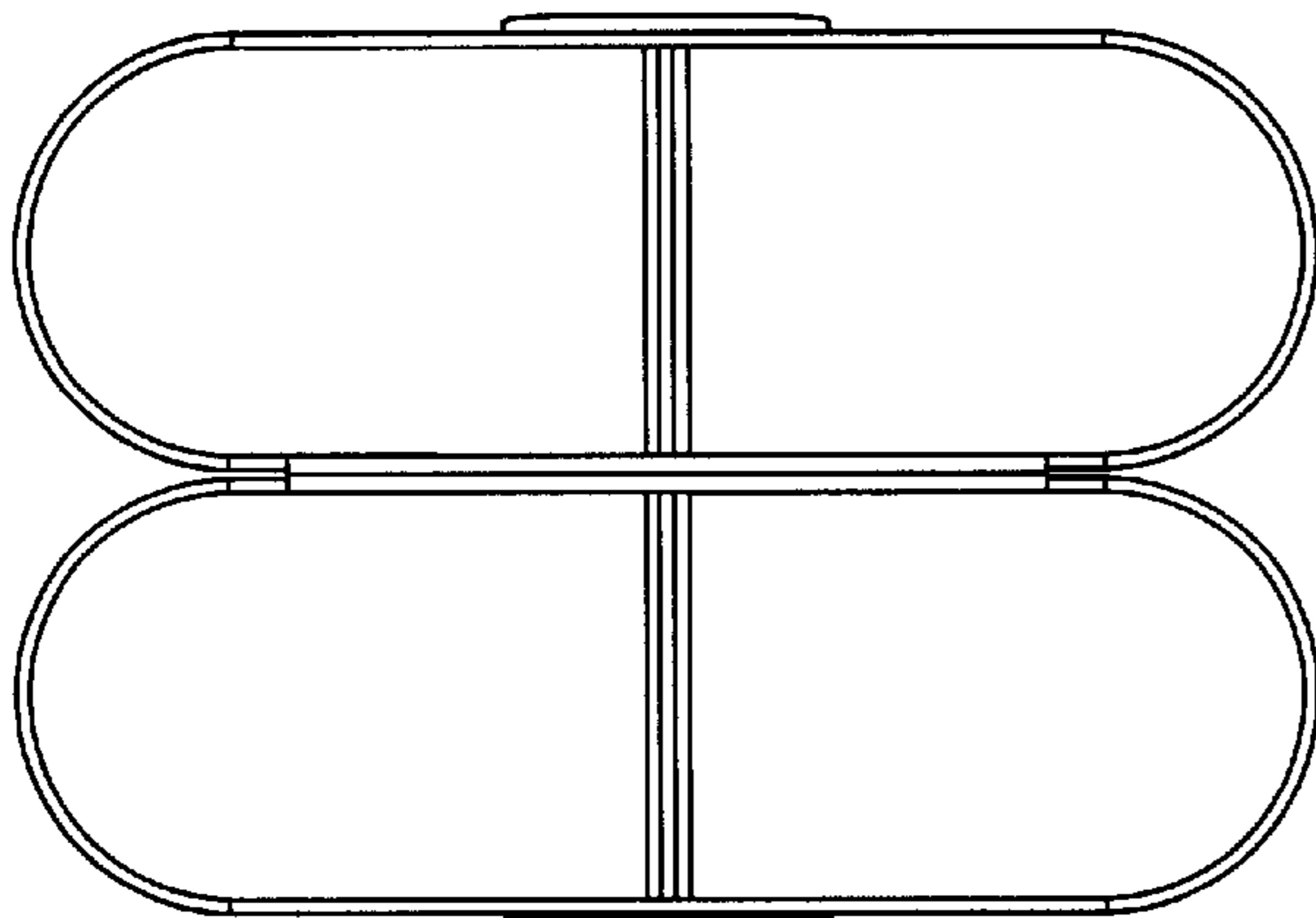


FIG. 8

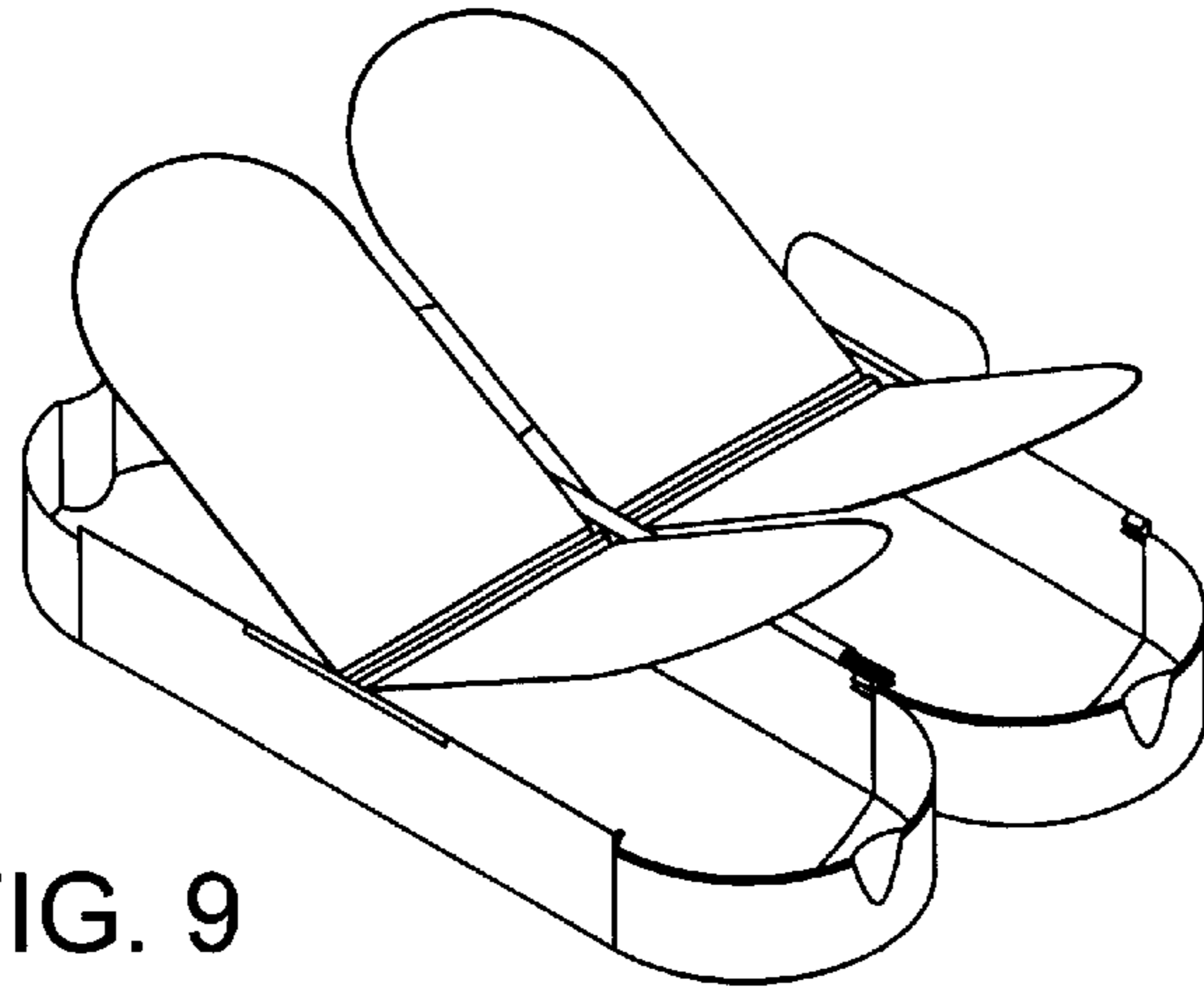


FIG. 9

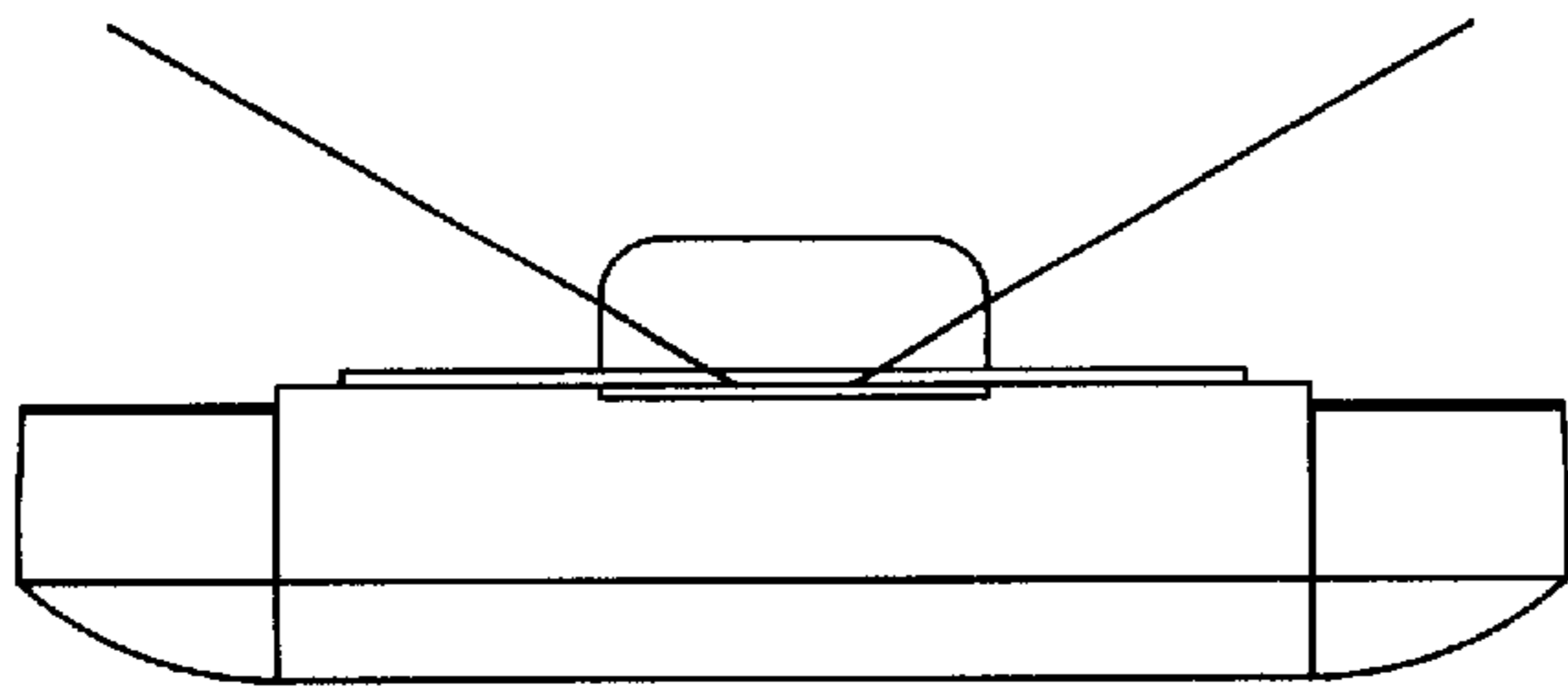


FIG. 10

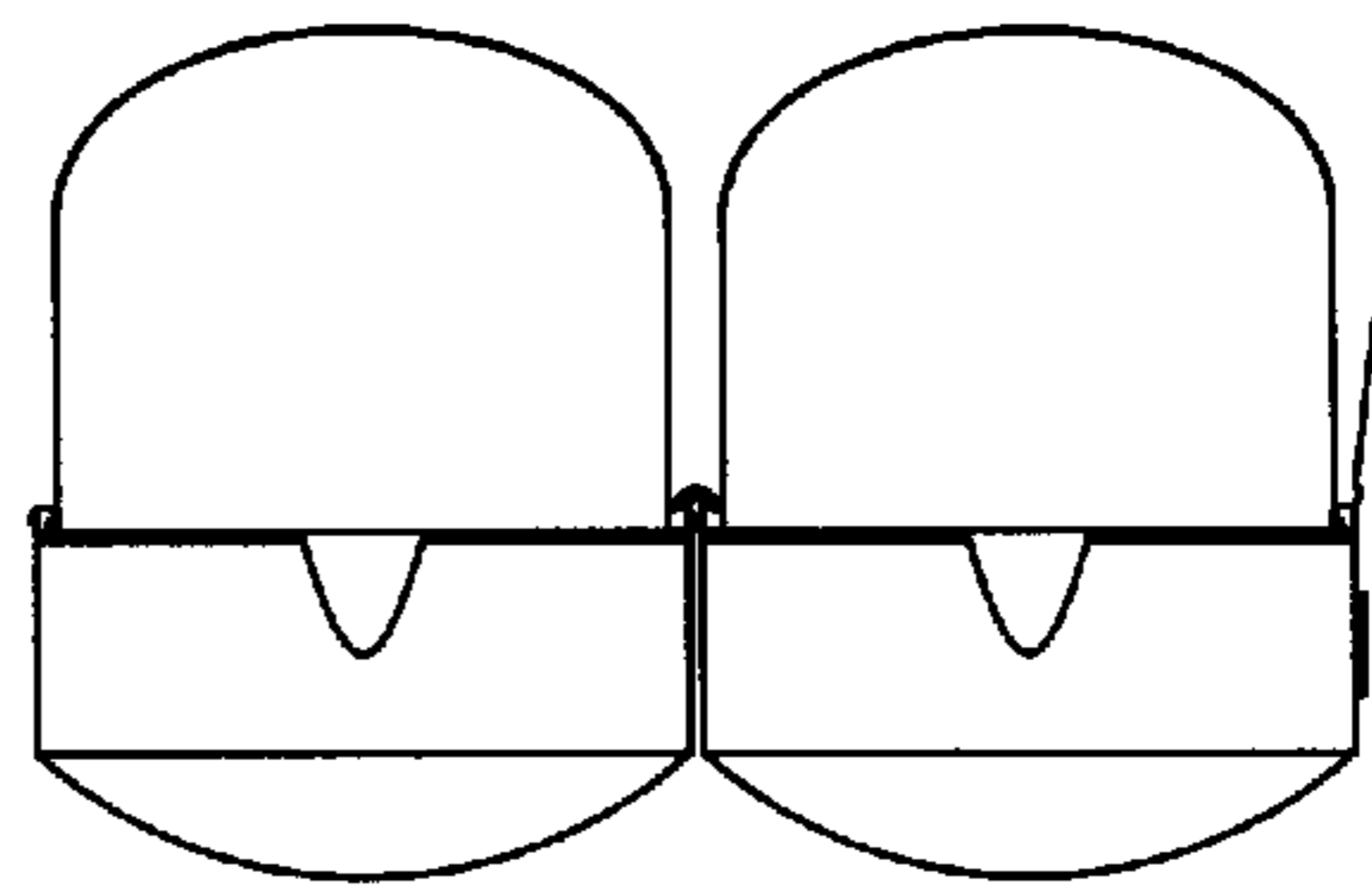


FIG. 11

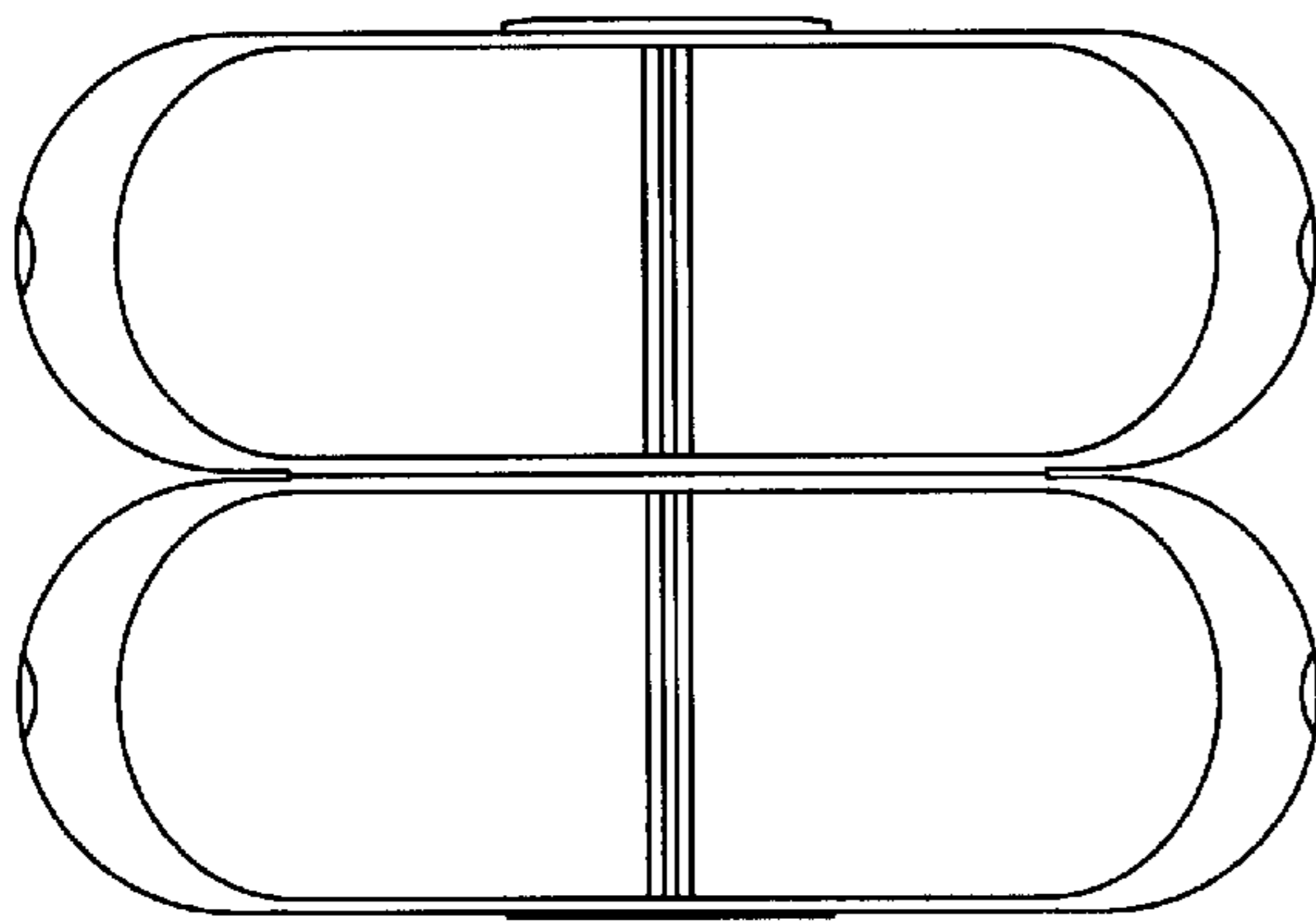


FIG. 12