

US00D518269S

(12) **United States Design Patent**
Henshaw et al.

(10) **Patent No.:** **US D518,269 S**
(45) **Date of Patent:** **** Mar. 28, 2006**

(54) **WORK PLATFORM**

(75) Inventors: **Robert J. Henshaw**, Newnan, GA
(US); **Eric J. Hanson**, St. Marys, OH
(US); **Roger J. Quinlan**, Troy, OH
(US)

(73) Assignee: **Crown Equipment Corporation**, New
Bremen, OH (US)

(**) Term: **14 Years**

(21) Appl. No.: **29/191,212**

(22) Filed: **Oct. 2, 2003**

(51) **LOC (8) Cl.** **09-08**

(52) **U.S. Cl.** **D34/38; D34/28**

(58) **Field of Classification Search** D34/38,
D34/37, 34, 14; 414/610, 612, 607, 611,
414/592, 623, 626, 785; 254/122; 187/222,
187/240, 233, 237, 241, 243, 244; 182/2.1,
182/2.9, 2.11, 63.1, 112, 113

See application file for complete search history.

(56) **References Cited**

U.S. PATENT DOCUMENTS

3,016,973	A	*	1/1962	Williamson	182/14
3,858,688	A	*	1/1975	Galloway	187/224
3,889,833	A	*	6/1975	Thomas	414/607
4,000,789	A	*	1/1977	Zahner	182/152
4,114,854	A	*	9/1978	Clark	254/122
4,290,730	A	*	9/1981	Weaver	414/607
D278,944	S	*	5/1985	Bresie et al.	D34/28
4,619,346	A	*	10/1986	Deguerry	187/243
D294,760	S	*	3/1988	Vanderdoes, Sr.	D34/17
4,754,840	A	*	7/1988	MacDonald et al.	182/2.3
D341,689	S	*	11/1993	Putman et al.	D34/23

D341,690	S	*	11/1993	Putman et al.	D34/23
D356,980	S	*	4/1995	Verschoor	D12/1
5,727,645	A	*	3/1998	Woodling	182/2.1
D402,037	S	*	12/1998	Hofstad	D34/38
5,885,048	A	*	3/1999	Barth	414/495
5,941,347	A	*	8/1999	Pfleger et al.	187/234
6,035,973	A	*	3/2000	Neal et al.	187/244
6,145,619	A	*	11/2000	Risser	182/113
6,523,647	B1	*	2/2003	Duplessis	187/270
6,823,964	B1	*	11/2004	Goode	182/3

OTHER PUBLICATIONS

Catalog page illustrating forkliftable platforms.
News article re: Fork truck access platforms from Contact
Attachments.

Fork Mounted Access Platforms @www.forklift-attach-
ments.co.uk, p. 026a.php.

Catalog page illustrating Forkliftable Platforms, p. 191.

Catalog page illustrating Forkliftable Platforms, p. 442.

* cited by examiner

Primary Examiner—Cynthia E. Ramirez

(74) *Attorney, Agent, or Firm*—Stevens & Showalter LLP

(57) **CLAIM**

The ornamental design for a work platform, as shown.

DESCRIPTION

FIG. 1 is a front perspective view of a work platform
illustrating our new design;

FIG. 2 is a top view of the platform of FIG. 1;

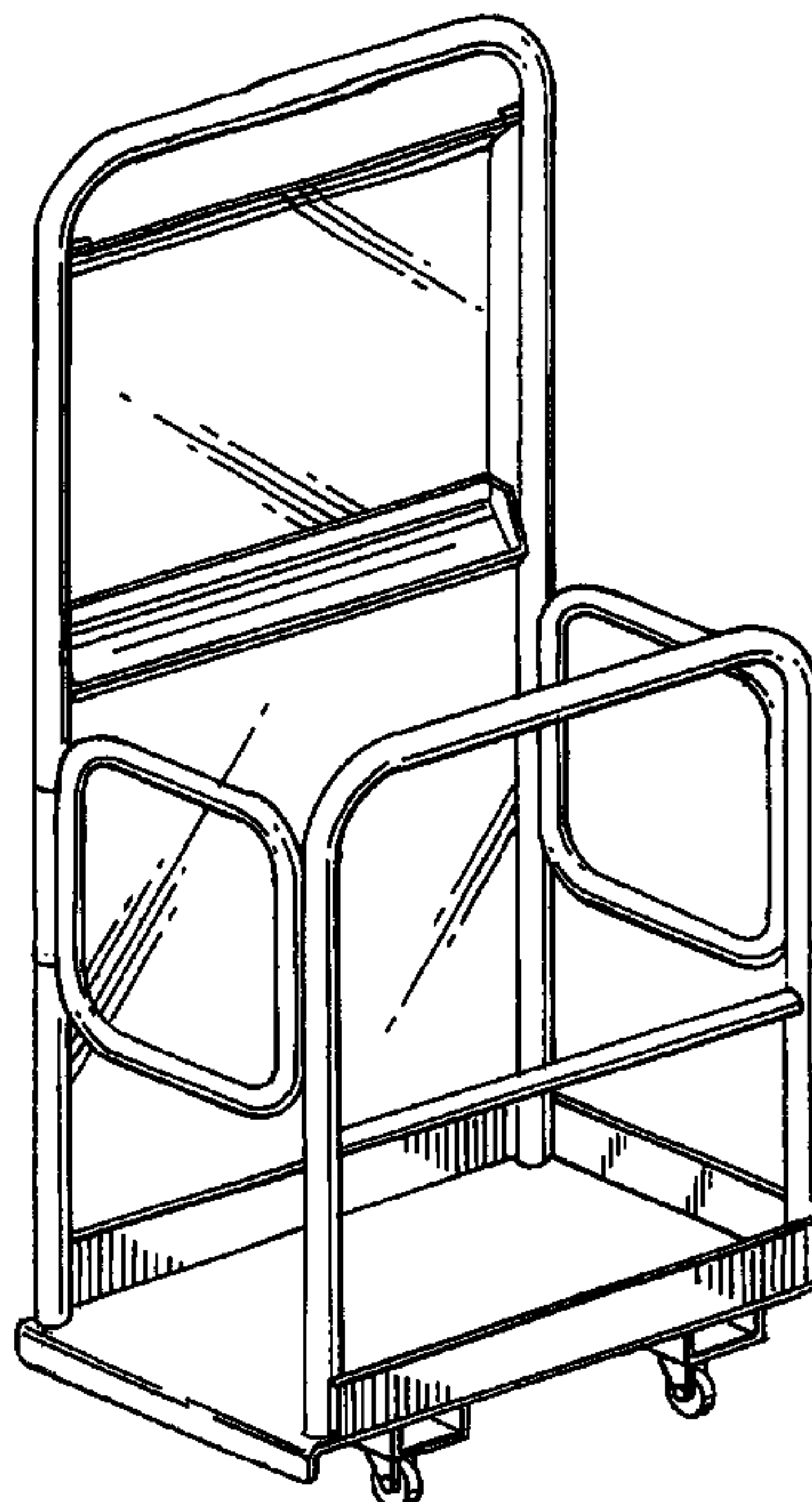
FIG. 3 is a left side view of the platform of FIG. 1;

FIG. 4 is a right side view of the platform of FIG. 1;

FIG. 5 is a front view of the platform of FIG. 1; and,

FIG. 6 is a rear view of the platform of FIG. 1.

1 Claim, 3 Drawing Sheets



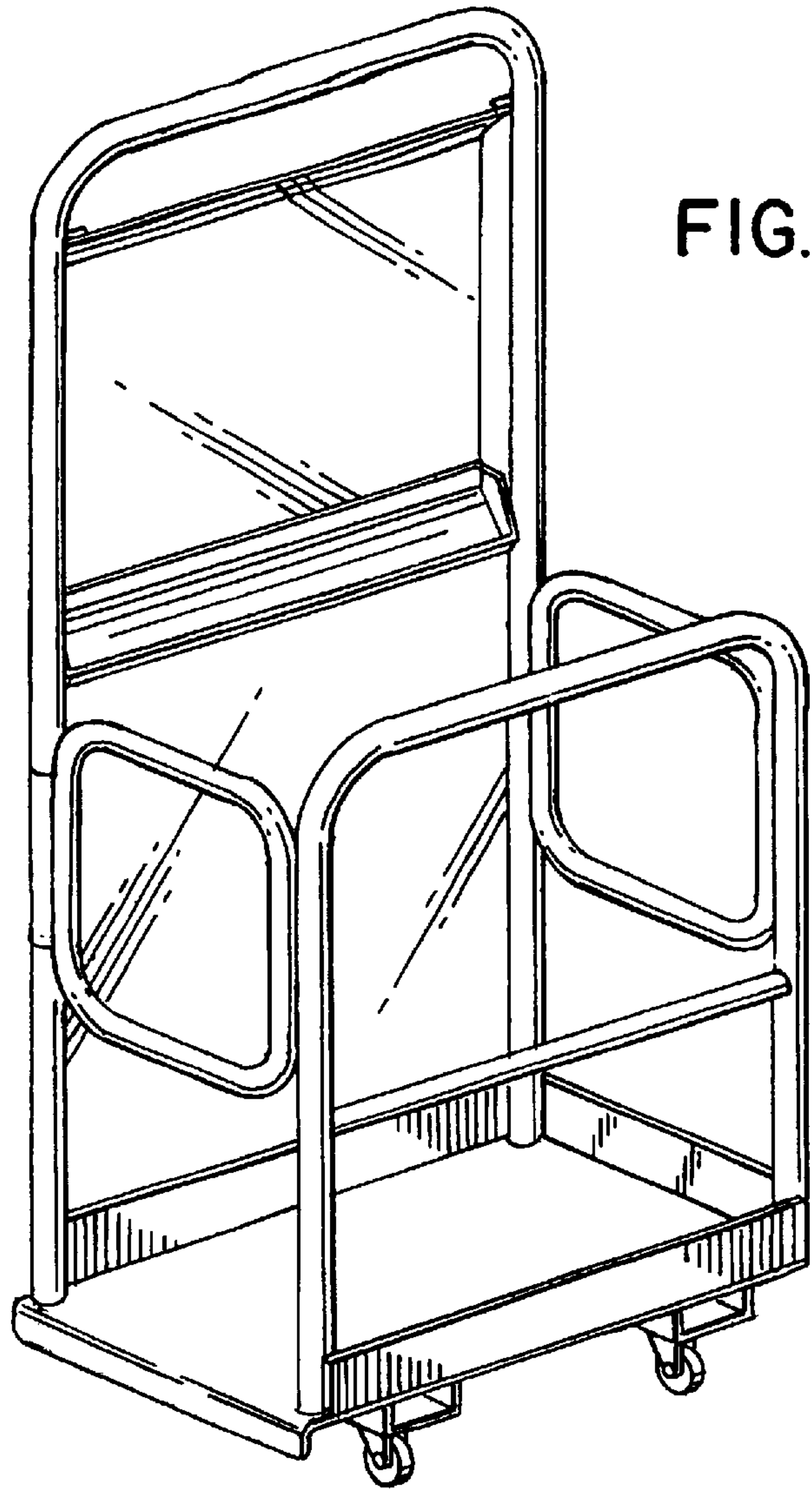


FIG. 1

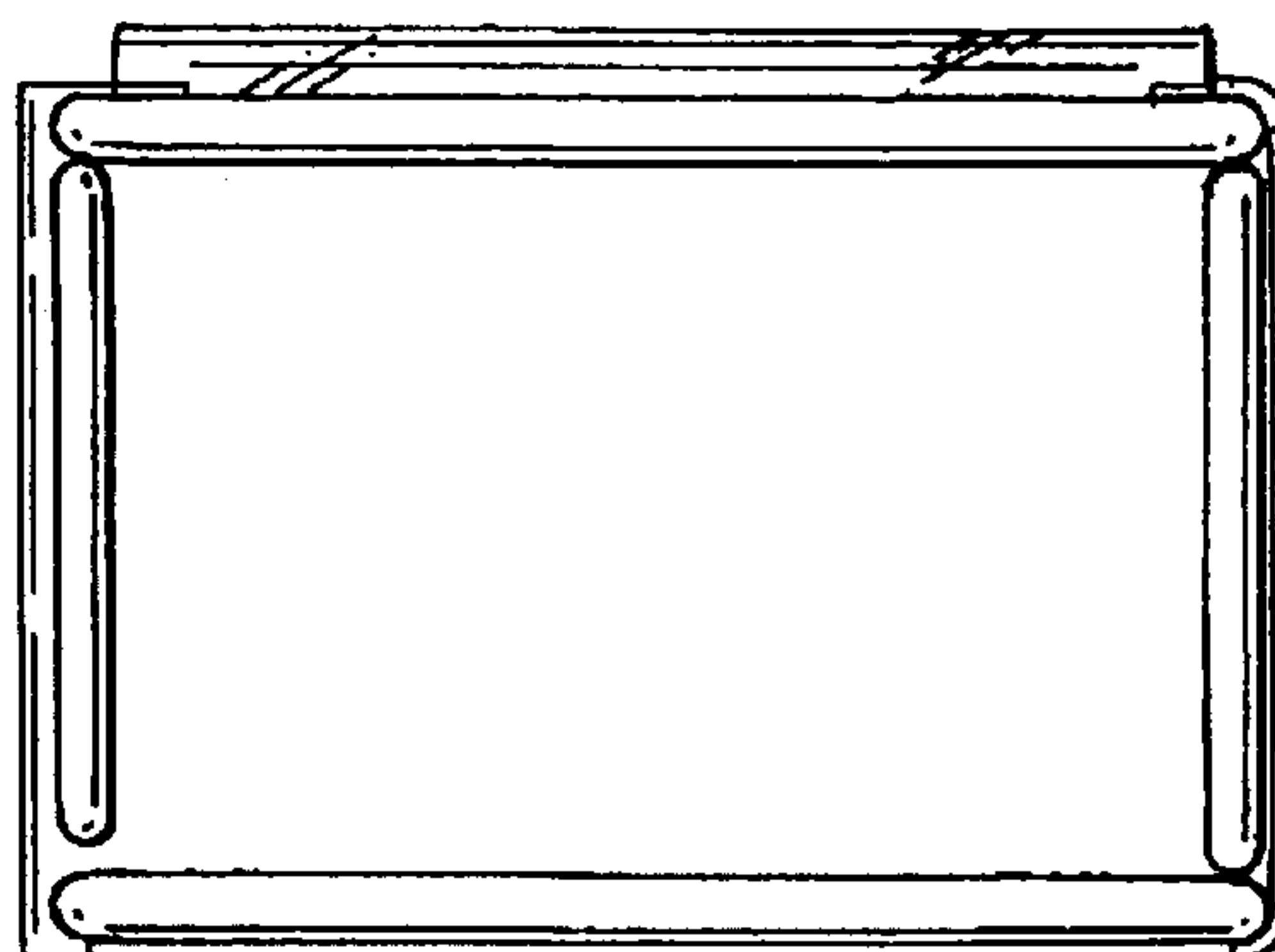


FIG. 2

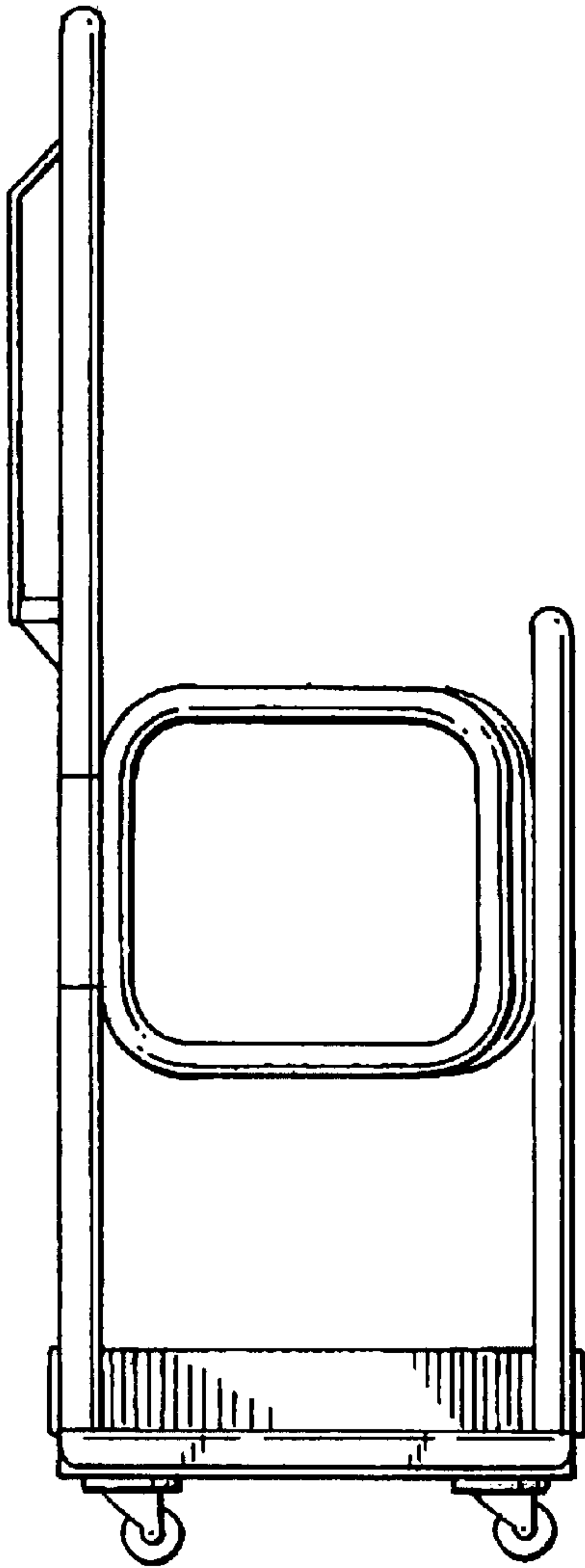


FIG. 3

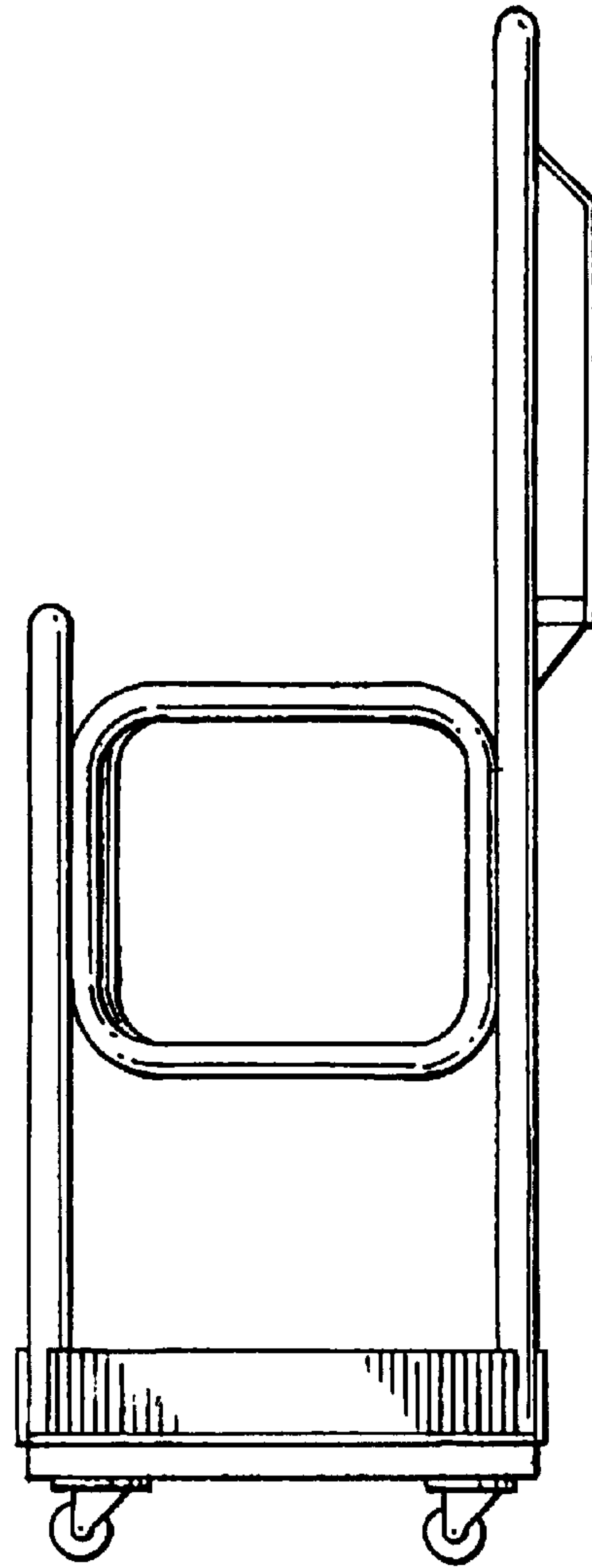


FIG. 4

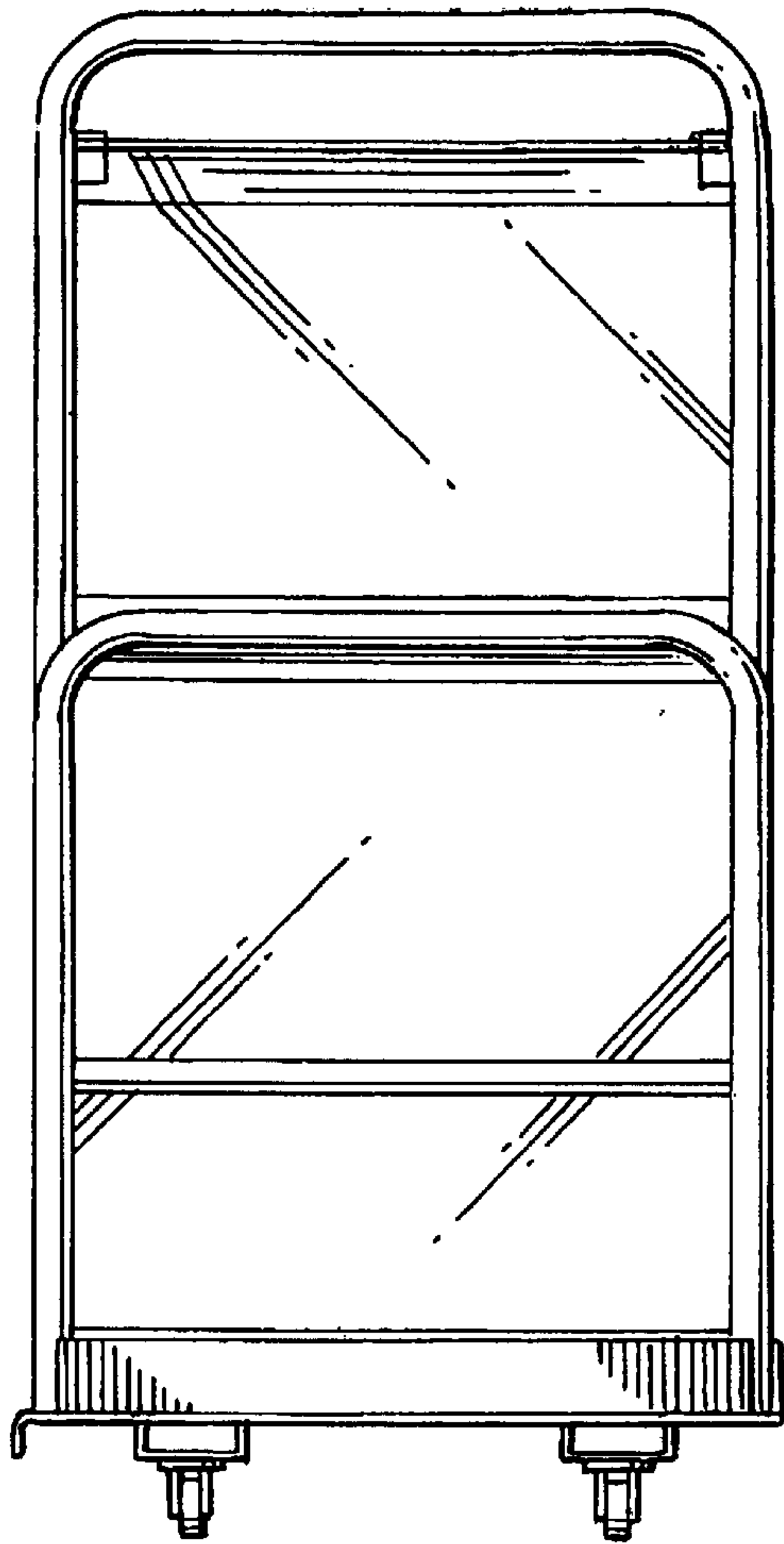


FIG. 5

FIG. 6

