



US00D518260S

(12) **United States Design Patent**
Aubourg et al.

(10) **Patent No.:** **US D518,260 S**
(45) **Date of Patent:** **** Mar. 28, 2006**

(54) **CLEANING HEAD FOR A CLEANING TOOL**

D480,852 S * 10/2003 Farce D32/40

(75) Inventors: **Delphine E. Aubourg**, Minneapolis, MN (US); **Perry S. Dotterman**, Maplewood, MN (US); **Thomas J. Herbrand**, Eagan, MN (US); **Kristine K. Krumhus**, River Falls, WI (US); **Michael J. Kubes**, Oakdale, MN (US)

(73) Assignee: **3M Innovative Properties Company**, St. Paul, MN (US)

(**) Term: **14 Years**

(21) Appl. No.: **29/190,153**

(22) Filed: **Sep. 16, 2003**

(51) **LOC (8) Cl.** **04-01**

(52) **U.S. Cl.** **D32/40**

(58) **Field of Classification Search** D32/40,
D32/35, 42; D28/63, 7; 15/244.1, 244.4,
15/208, 209.1, 210.1, 227, 107, 118; 401/137,
401/138, 139, 40, 203

See application file for complete search history.

(56) **References Cited**

U.S. PATENT DOCUMENTS

2,590,983	A	*	4/1952	Lorenz	264/157
2,816,313	A		12/1957	Beck et al.		
2,841,811	A	*	7/1958	Carroll	15/244.1
3,054,127	A	*	9/1962	Petsch et al.	15/244.1
3,058,139	A	*	10/1962	Dryden	15/244.1
4,493,124	A		1/1985	Agapiou		
5,592,713	A		1/1997	Rones		
D392,433	S	*	3/1998	Norris	D32/45
5,855,214	A	*	1/1999	Heneghan	132/320
D462,818	S	*	9/2002	Haro	D32/40

OTHER PUBLICATIONS

Four pictures (marked C1) of a "SCOTCH BRITE" (trade mark) toilet bowl scrubber that was on sale by 3M Company, St. Paul, MN, more than one year prior to the filing date of the subject patent application.

Design Division Document No. HH08046492 from the Korean Industrial Property Office, published Jan. 18, 1996 in the *Korean Official Bulletin of Designs and Trademarks* (English translation attached).

* cited by examiner

Primary Examiner—Cynthia E. Ramirez

(74) *Attorney, Agent, or Firm*—William L. Huebsch

(57) **CLAIM**

The ornamental design for a cleaning head for a cleaning tool, as shown and described.

DESCRIPTION

FIG. 1 is a top, rear, left, side isometric view of a cleaning head for a cleaning tool showing our new design;

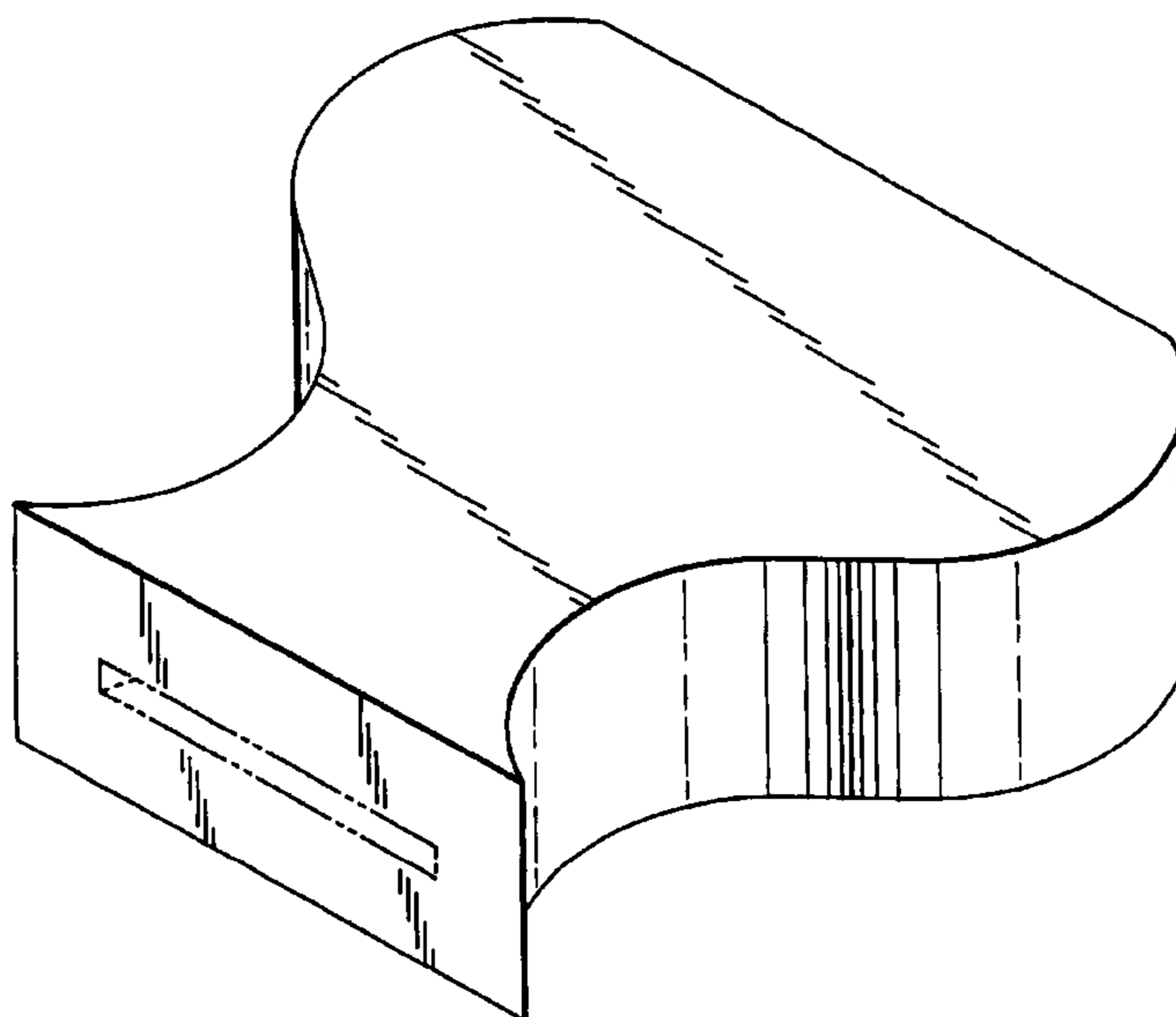
FIG. 2 is a left side view of the cleaning head for a cleaning tool, the right side view thereof being a mirror image of the left side view;

FIG. 3 is a top view of the cleaning head for a cleaning tool, the bottom view thereof being a mirror image of the top view;

FIG. 4 is a front view of the cleaning head for a cleaning tool; and,

FIG. 5 is a rear view of the cleaning head for a cleaning tool. The broken line showing of an opening in FIGS. 1 and 5 is for illustrative purposes only and forms no part of the claimed design.

1 Claim, 3 Drawing Sheets



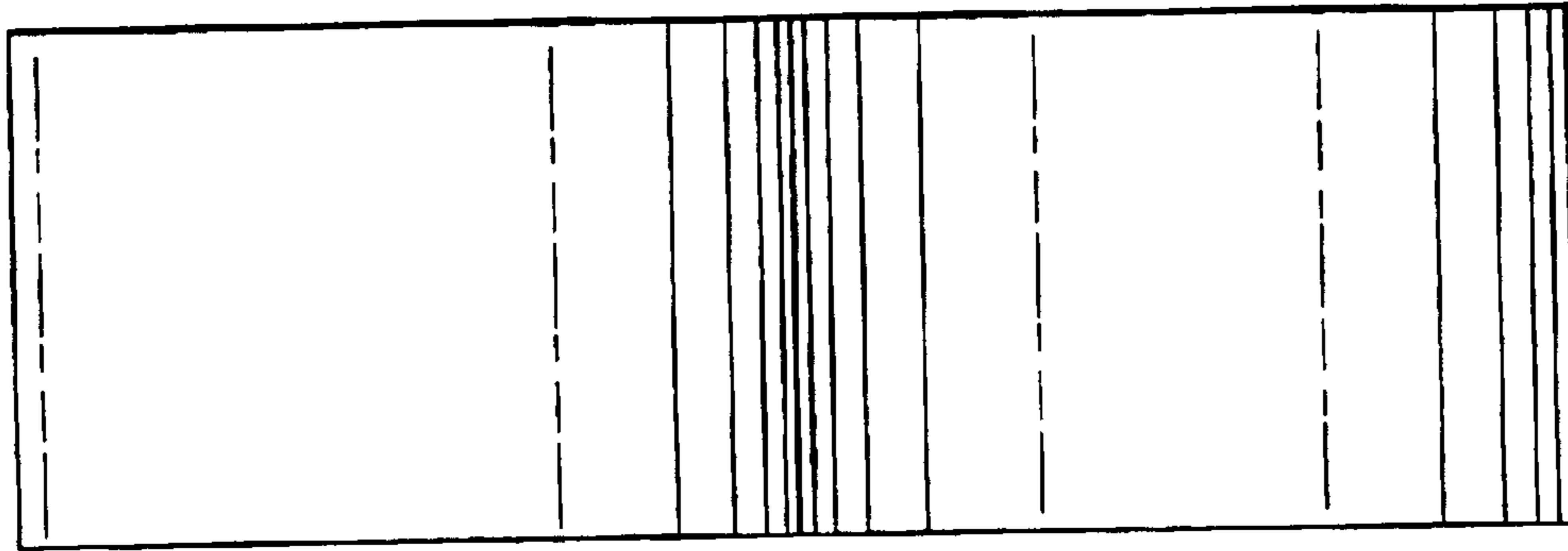


Fig. 2

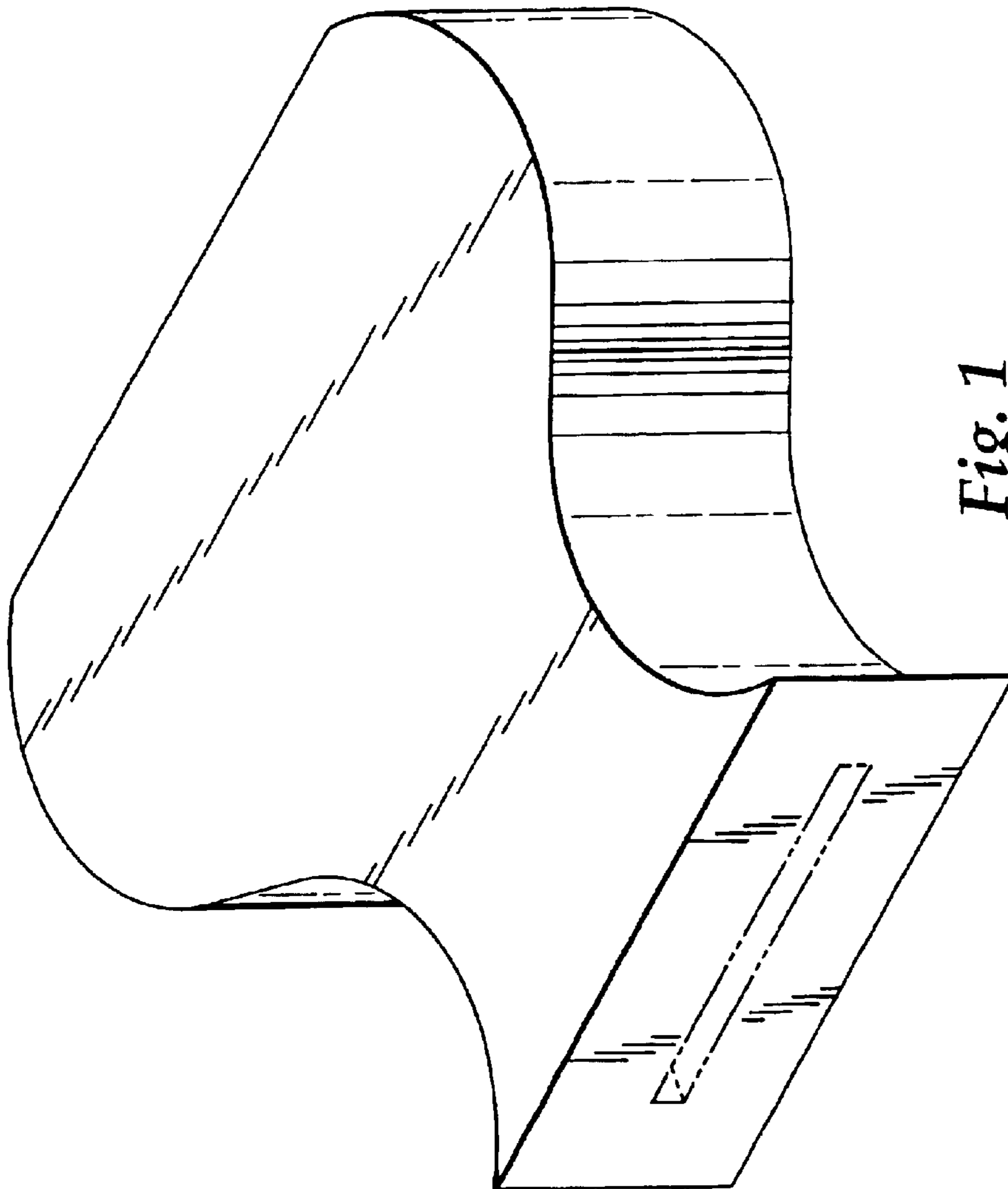


Fig. 1

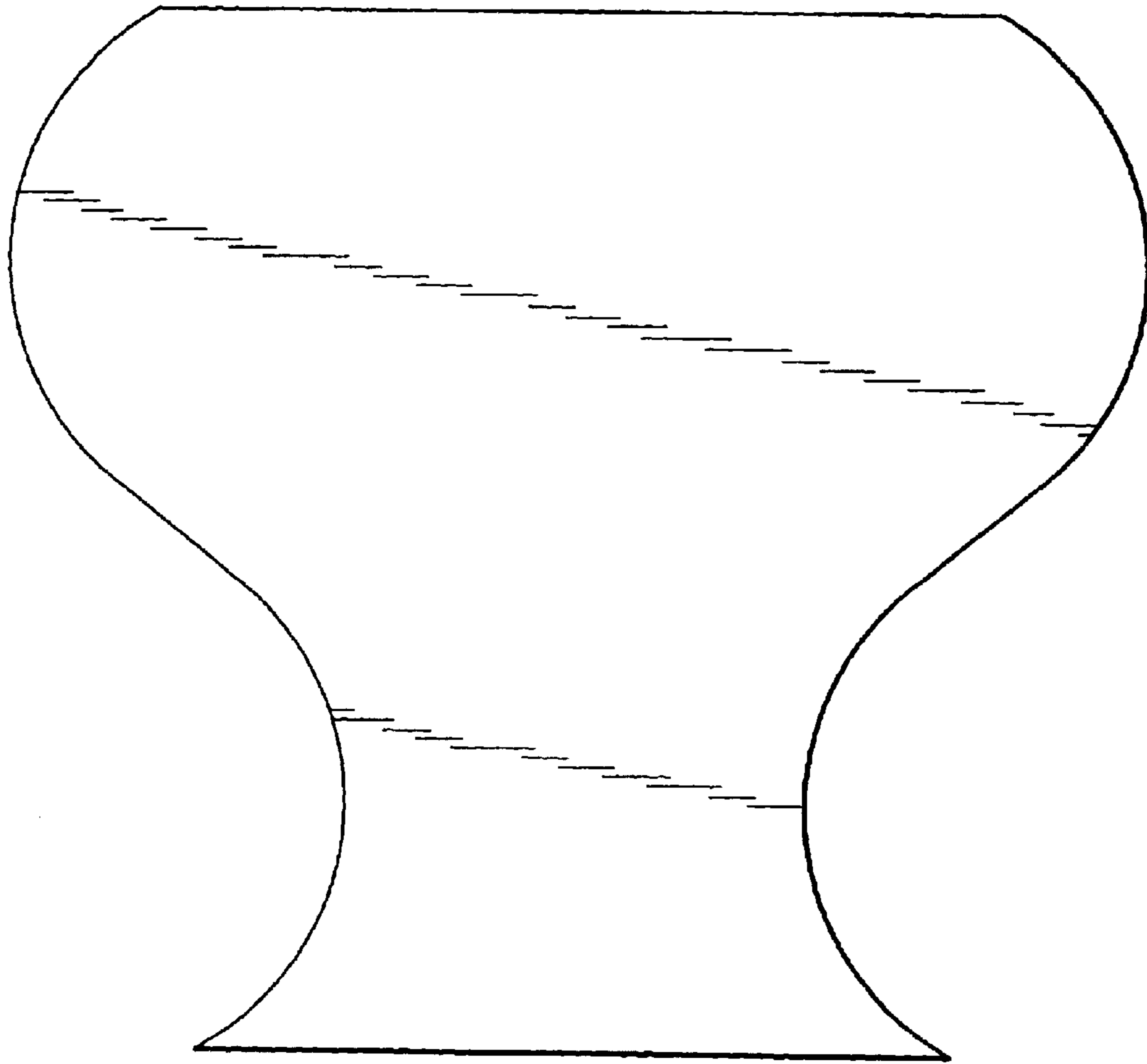


Fig. 3

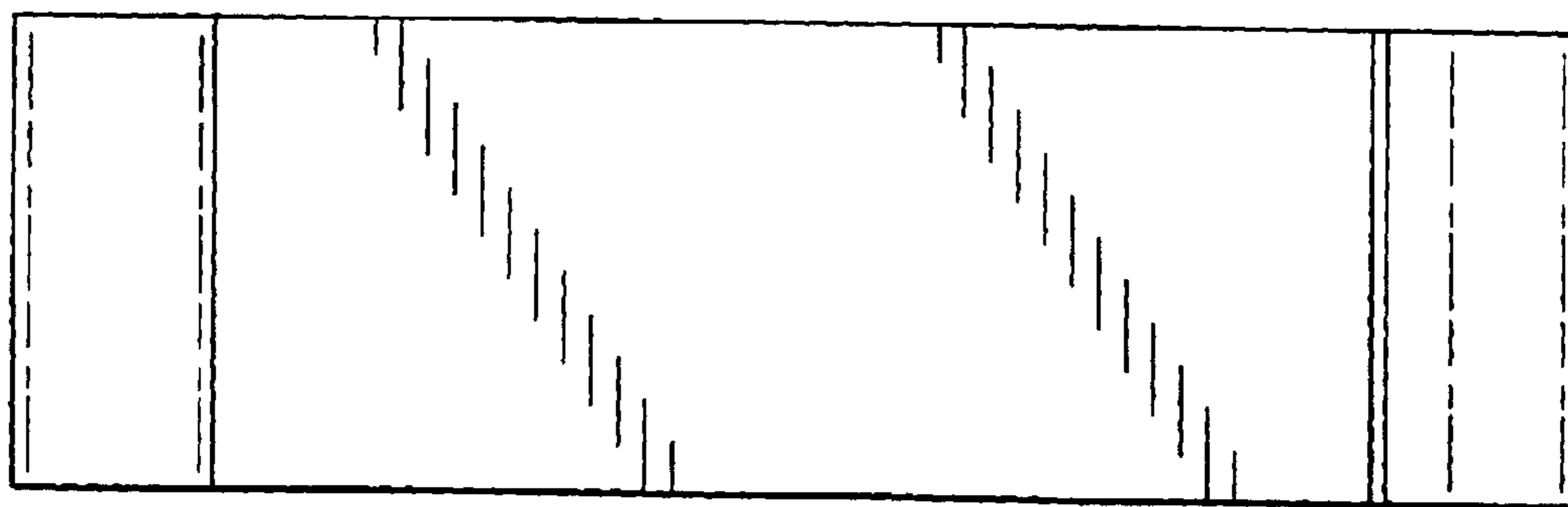


Fig. 4

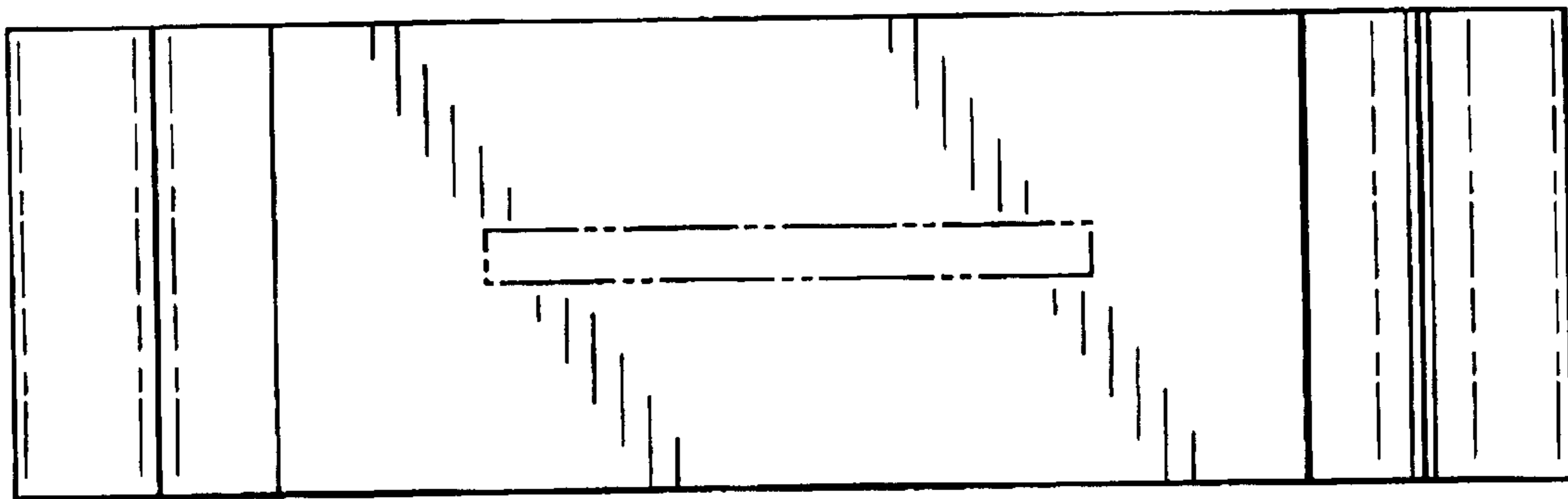


Fig. 5