

US00D518259S

(12) **United States Design Patent**
Wertz

(10) **Patent No.:** **US D518,259 S**

(45) **Date of Patent:** **** Mar. 28, 2006**

(54) **VACUUM ATTACHMENT**

(76) **Inventor:** **Robert Wertz**, 545 S. 300 West, Salt Lake City, UT (US) 84101

(**) **Term:** **14 Years**

(21) **Appl. No.:** **29/213,087**

(22) **Filed:** **Sep. 13, 2004**

(51) **LOC (8) Cl.** **15-05**

(52) **U.S. Cl.** **D32/33**

(58) **Field of Classification Search** D32/22,
D32/31-33; 15/320-322, 329, 350-351,
15/353, 362, 410, 412, 414, 415.1, 416-422.1,
15/246.2; 55/DIG. 3

See application file for complete search history.

(56) **References Cited**

U.S. PATENT DOCUMENTS

D306,506 S	*	3/1990	Houser	D32/33
D311,615 S	*	10/1990	Berfield et al.	D32/32
D392,780 S	*	3/1998	Holsten et al.	D32/33
D424,766 S	*	5/2000	Martin	D32/32
D439,711 S	*	3/2001	Griffin	D32/32

D468,499 S	*	1/2003	Kitts	D32/32
D484,287 S	*	12/2003	Murphy et al.	D32/32
2005/0166359 A1	*	8/2005	Wertz	15/327.5

* cited by examiner

Primary Examiner—Ruth McInroy

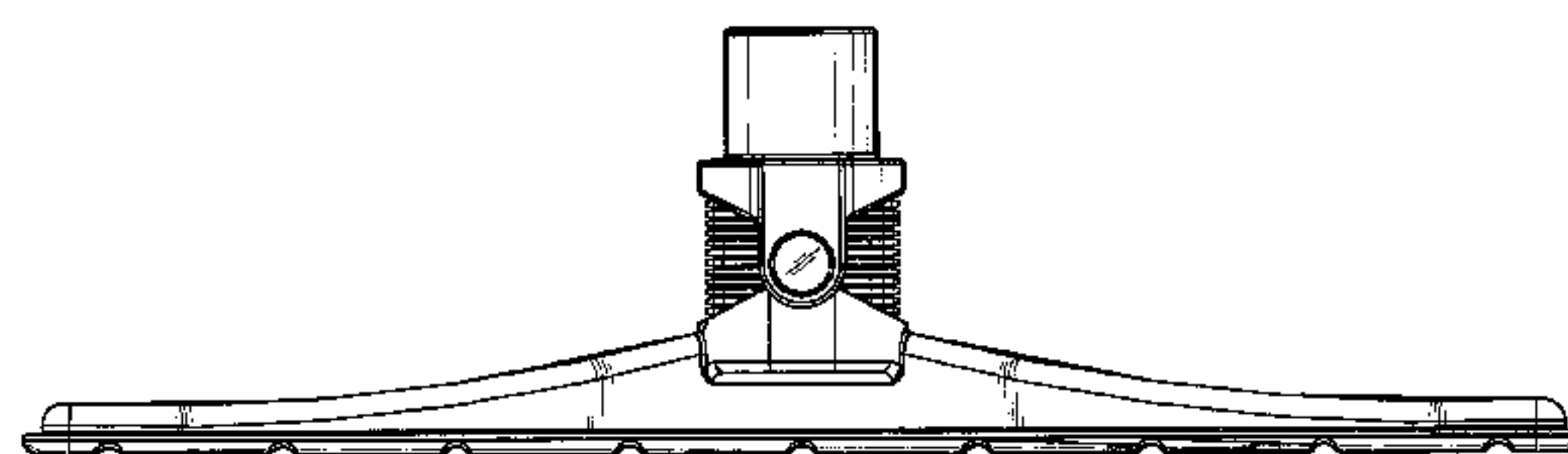
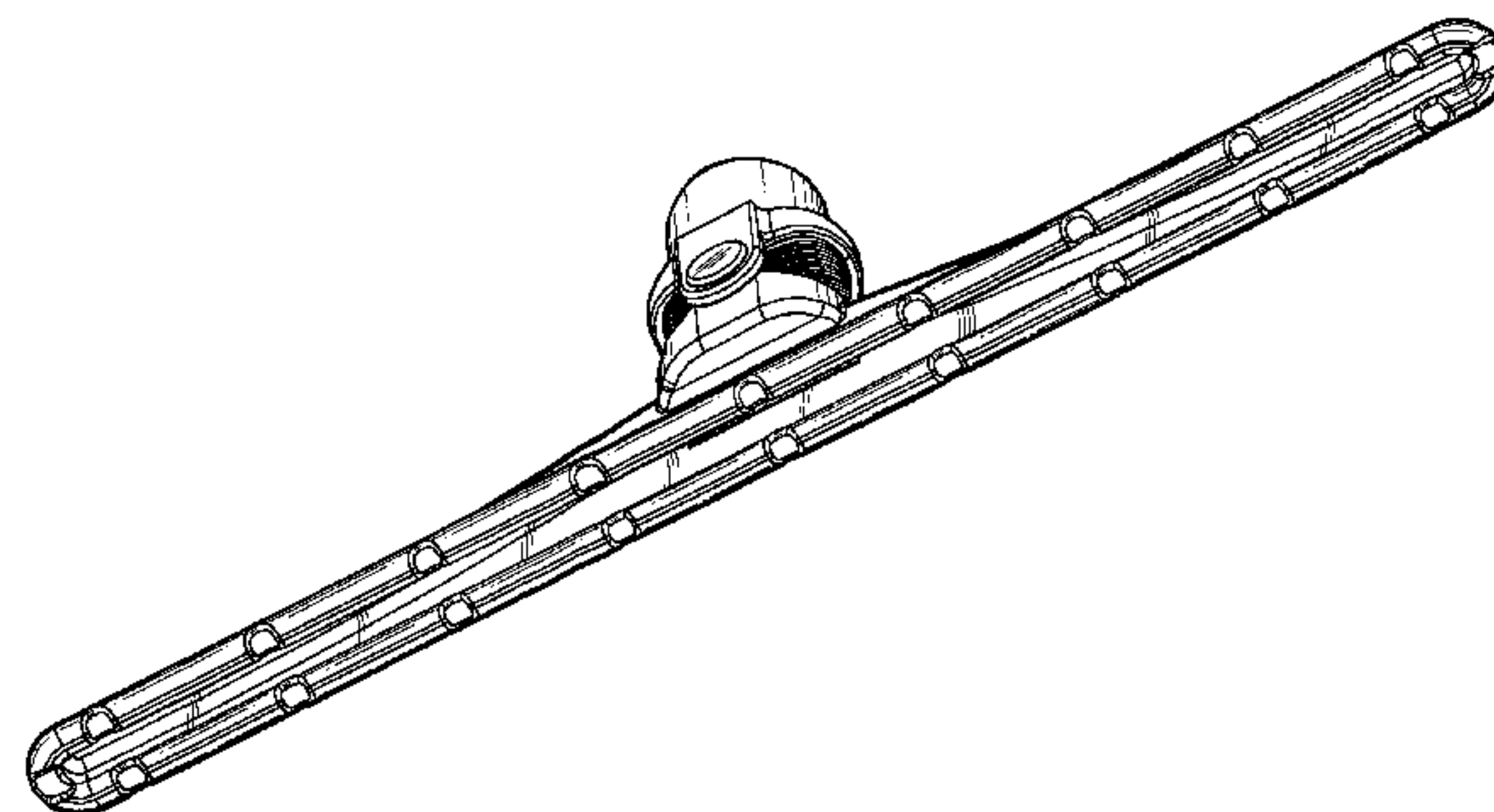
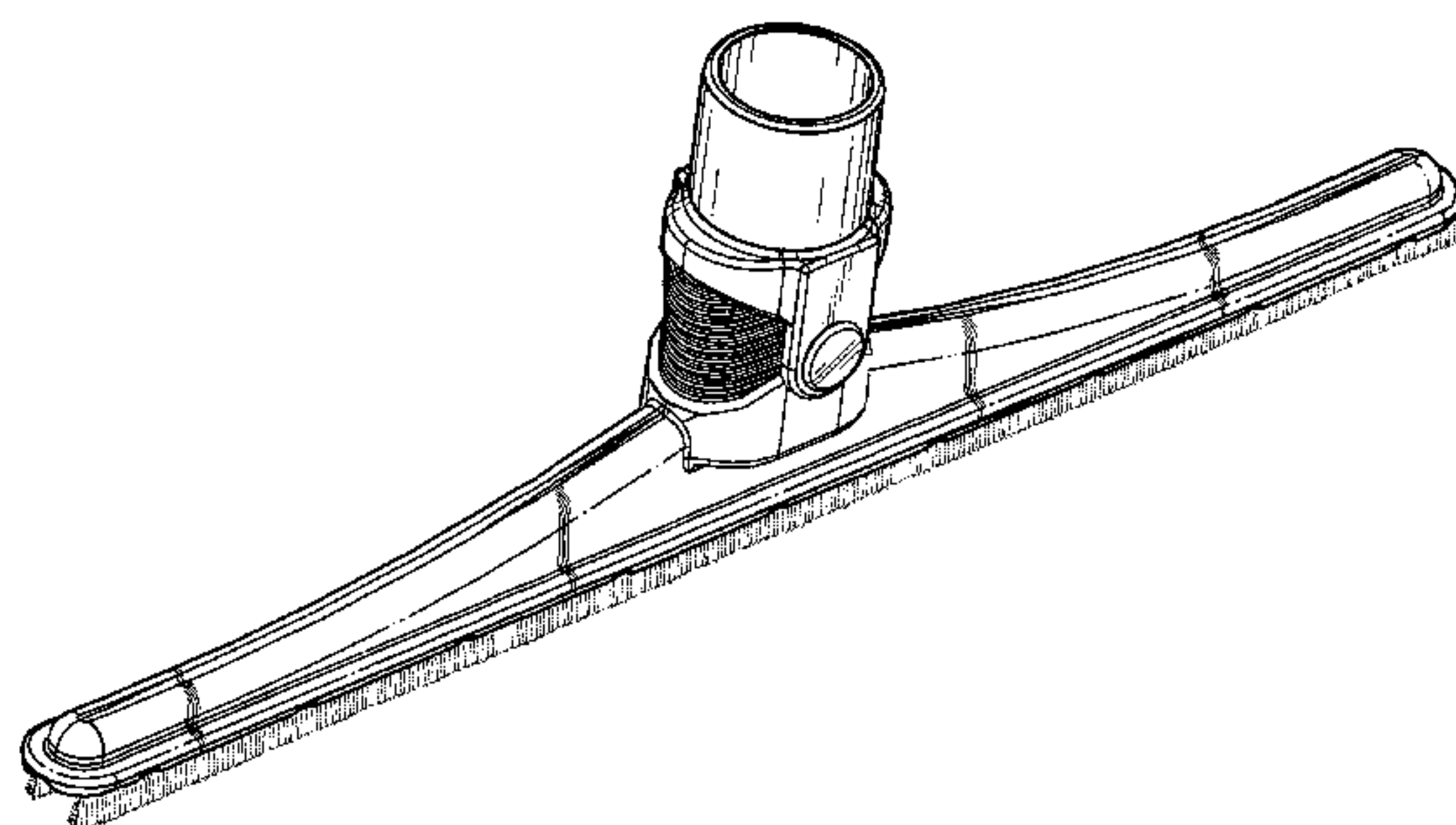
(57) **CLAIM**

The ornamental design for a vacuum attachment, as shown and described.

DESCRIPTION

FIG. 1 is a perspective view taken from above and one side of a vacuum attachment showing my new design;
 FIG. 2 is a perspective view thereof, taken from beneath and one side;
 FIG. 3 is a perspective view thereof, taken from beneath and one end;
 FIG. 4 is a front view thereof;
 FIG. 5 is an end elevation view thereof, the opposite end being the same;
 FIG. 6 is a top plan view thereof; and,
 FIG. 7 is a bottom plan view thereof.

1 Claim, 4 Drawing Sheets



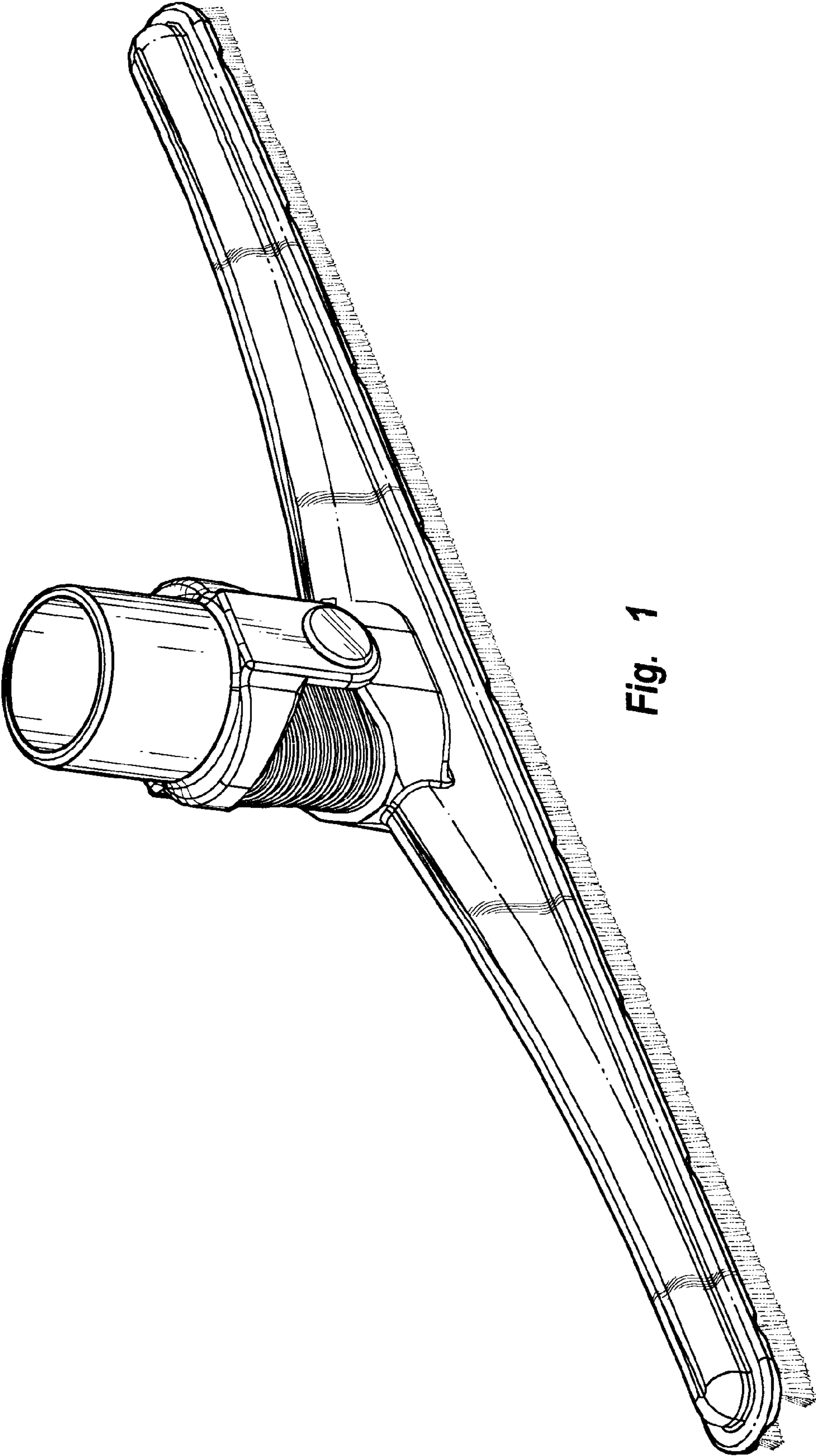


Fig. 1

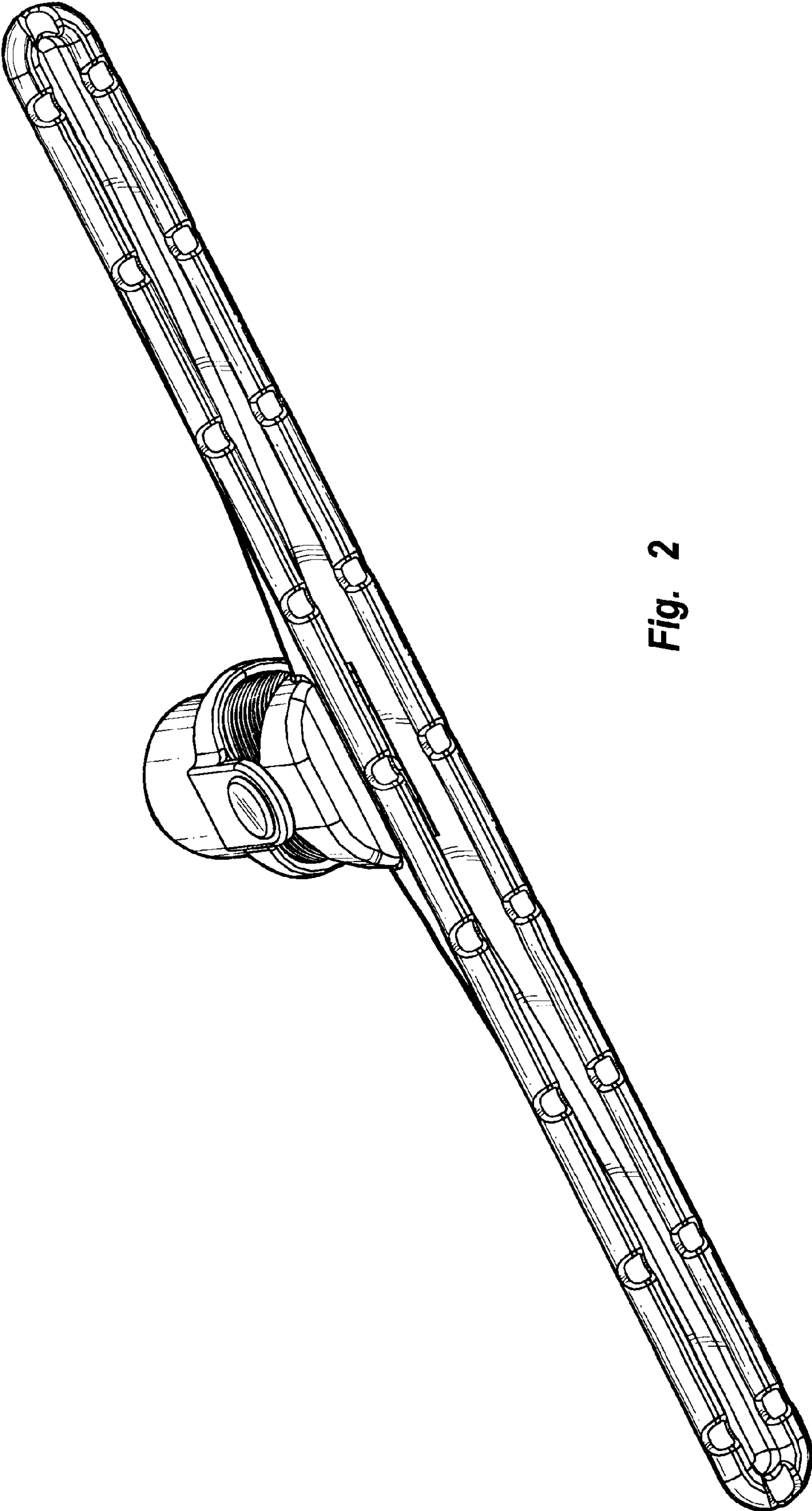


Fig. 2

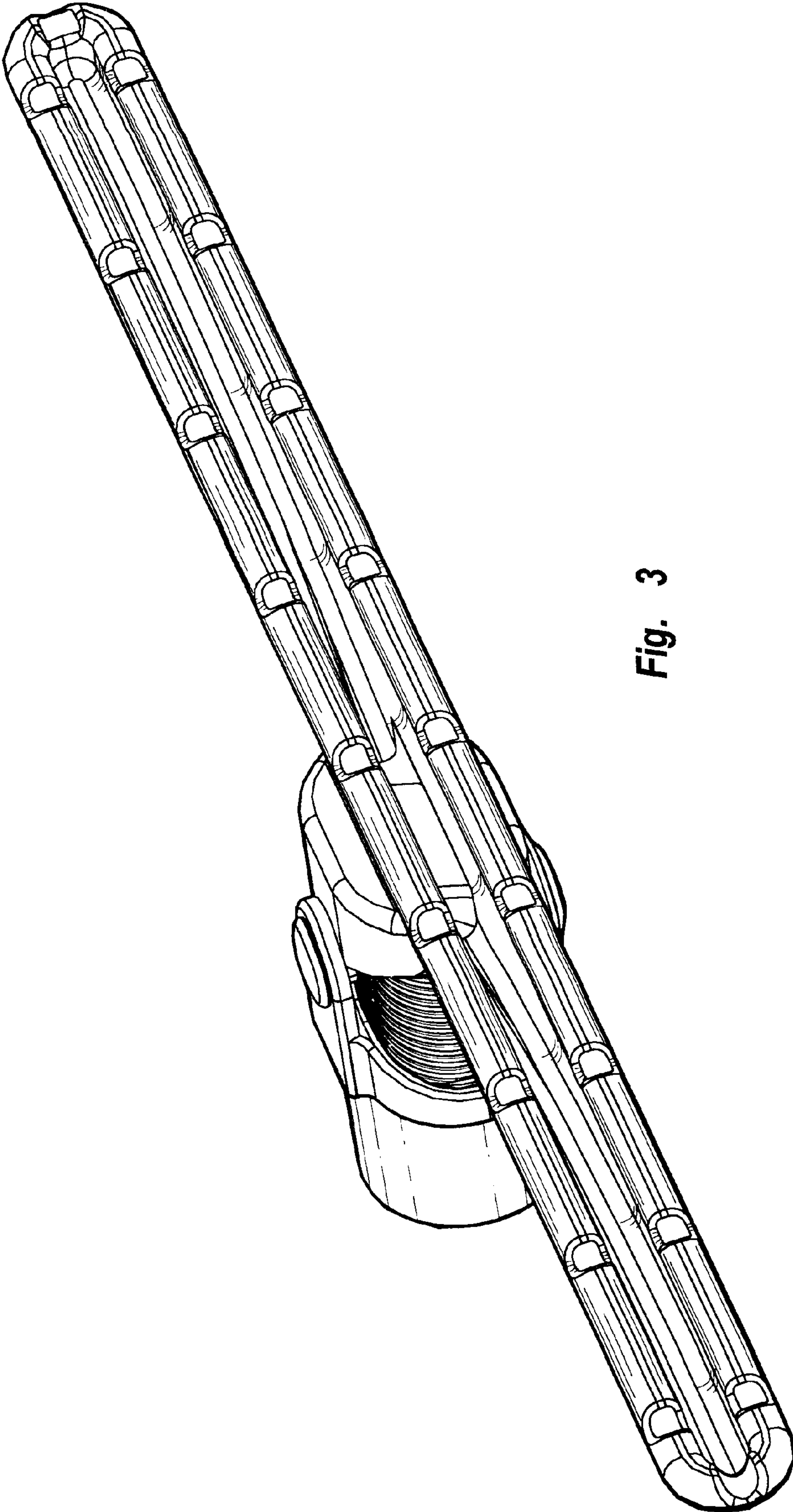


Fig. 3

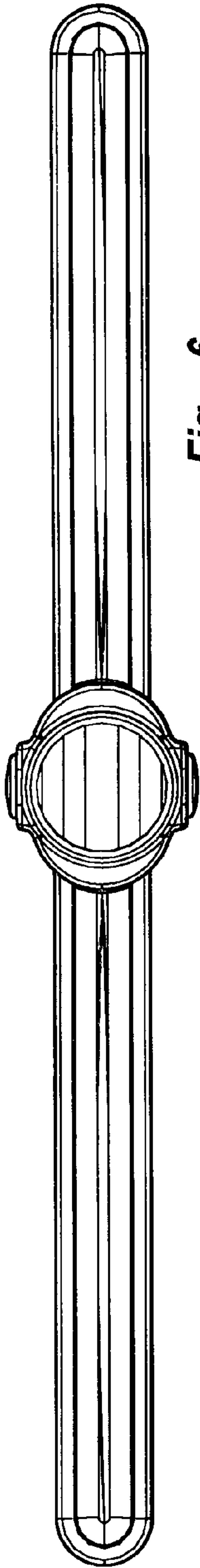


Fig. 6

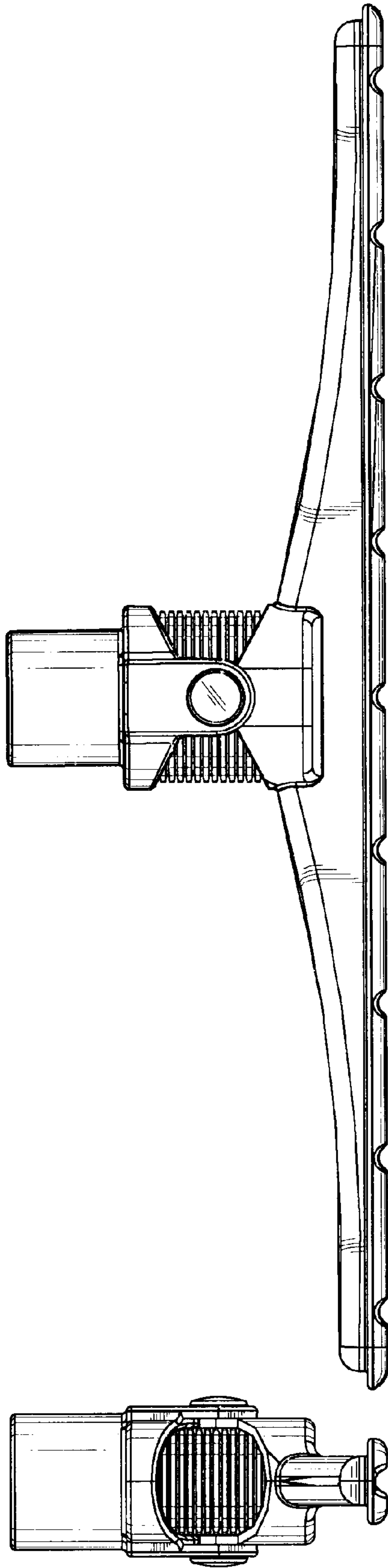


Fig. 4

Fig. 5

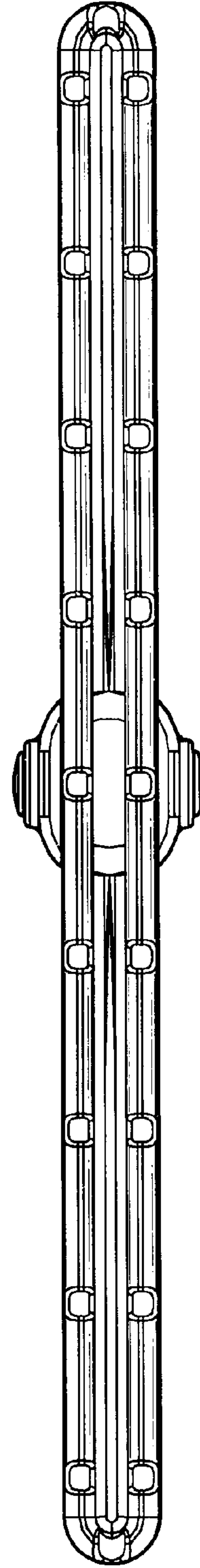


Fig. 7