



US00D518255S

(12) **United States Design Patent**
Stratford et al.

(10) **Patent No.: US D518,255 S**

(45) **Date of Patent: ** *Mar. 28, 2006**

(54) **VACUUM CLEANER**

(75) Inventors: **Mark Stratford**, Darlington (GB);
Martyn Riley, Jesmond (GB)

(73) Assignee: **Black & Decker Inc.**, Newark, DE
(US)

(*) Notice: This patent is subject to a terminal disclaimer.

(**) Term: **14 Years**

(21) Appl. No.: **29/199,056**

(22) Filed: **Feb. 9, 2004**

(30) **Foreign Application Priority Data**

Aug. 7, 2003 (GB) 3013969

(51) **LOC (8) Cl.** **15-05**

(52) **U.S. Cl.** **D32/21**

(58) **Field of Classification Search** D32/22,
D32/30-34; 15/320-321, 347, 350-351,
15/353, 361, 410, 412, 414, 246.2, DIG. 8;
55/318, 337, 400, DIG. 3, 429, 459.1, 345,
55/447; 95/271, 268; 210/512.1, 512.2
See application file for complete search history.

(56) **References Cited**

U.S. PATENT DOCUMENTS

4,955,106 A * 9/1990 Stein et al. 15/335

D316,167 S * 4/1991 Petralia et al. D32/22
D381,479 S * 7/1997 Worwag D32/22
D399,619 S * 10/1998 Nakano et al. D32/22
5,836,047 A * 11/1998 Lee et al. 15/328
D480,847 S * 10/2003 Fujii D32/22
2004/0163202 A1 * 8/2004 Yoshimi et al. 15/331

* cited by examiner

Primary Examiner—Ruth McInroy

(74) *Attorney, Agent, or Firm*—John Yun; Bruce S. Shapiro; Wesley Muller

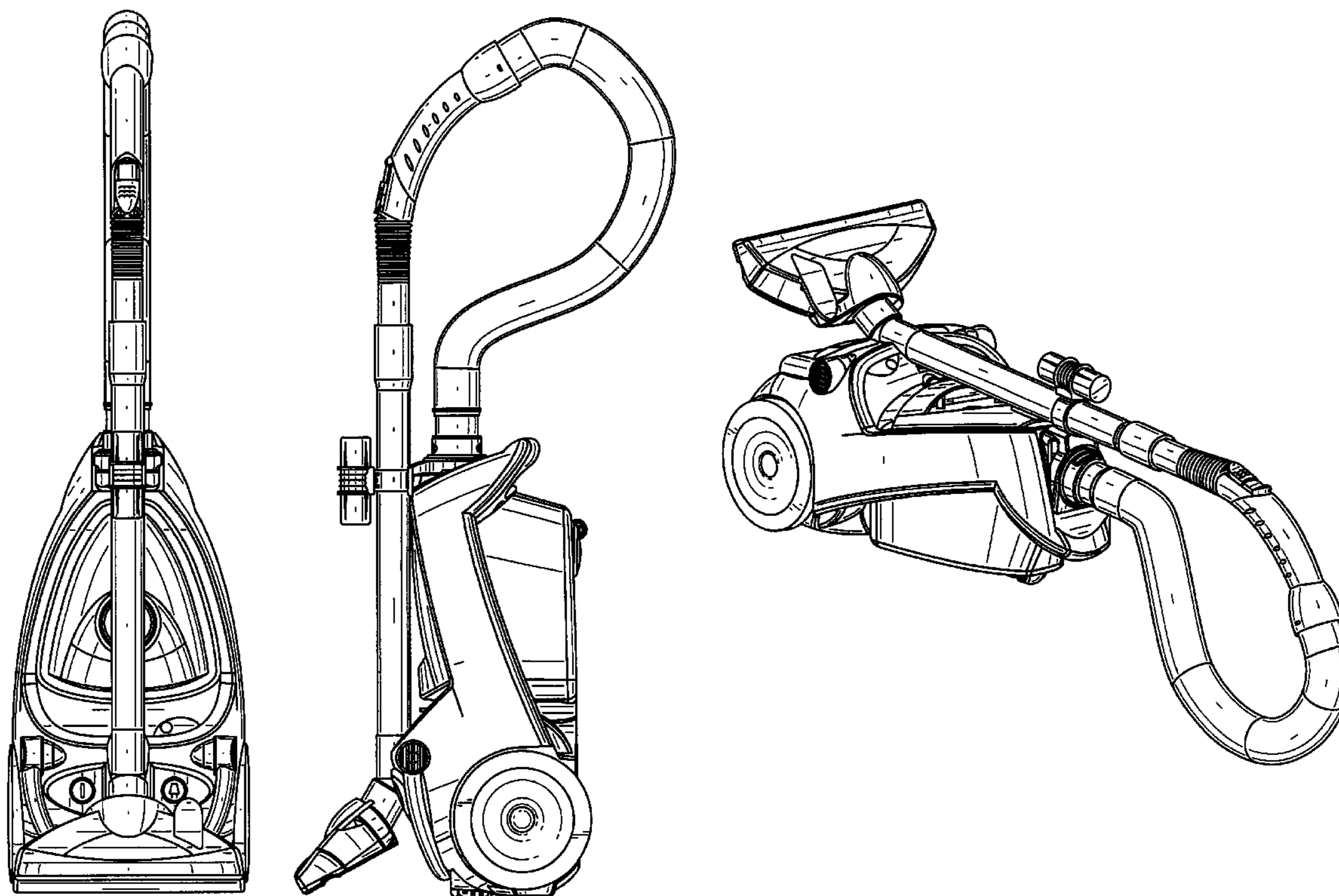
(57) **CLAIM**

The ornamental design for a vacuum cleaner, as shown and described.

DESCRIPTION

FIG. 1 is a front view of the vacuum cleaner showing our new design;
FIG. 2 is a right side view thereof;
FIG. 3 is a left side view thereof;
FIG. 4 is a rear view thereof;
FIG. 5 is a top view thereof;
FIG. 6 is a bottom view thereof;
FIG. 7 is a front-left perspective view thereof;
FIG. 8 is a top-right perspective view thereof; and,
FIG. 9 is a bottom-right perspective view thereof.

1 Claim, 9 Drawing Sheets



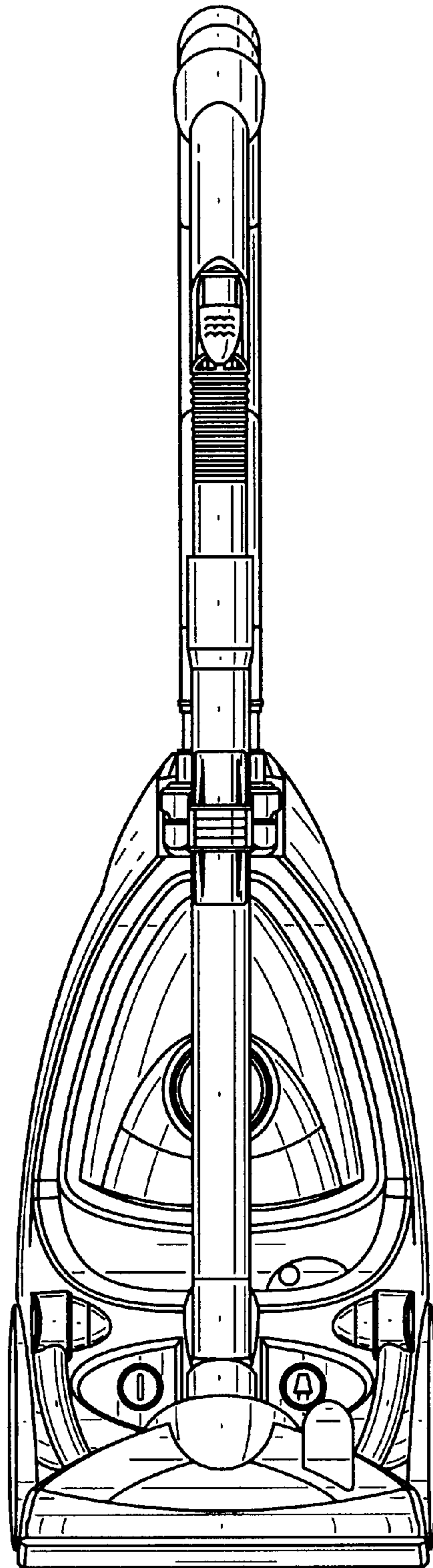


FIG. 1

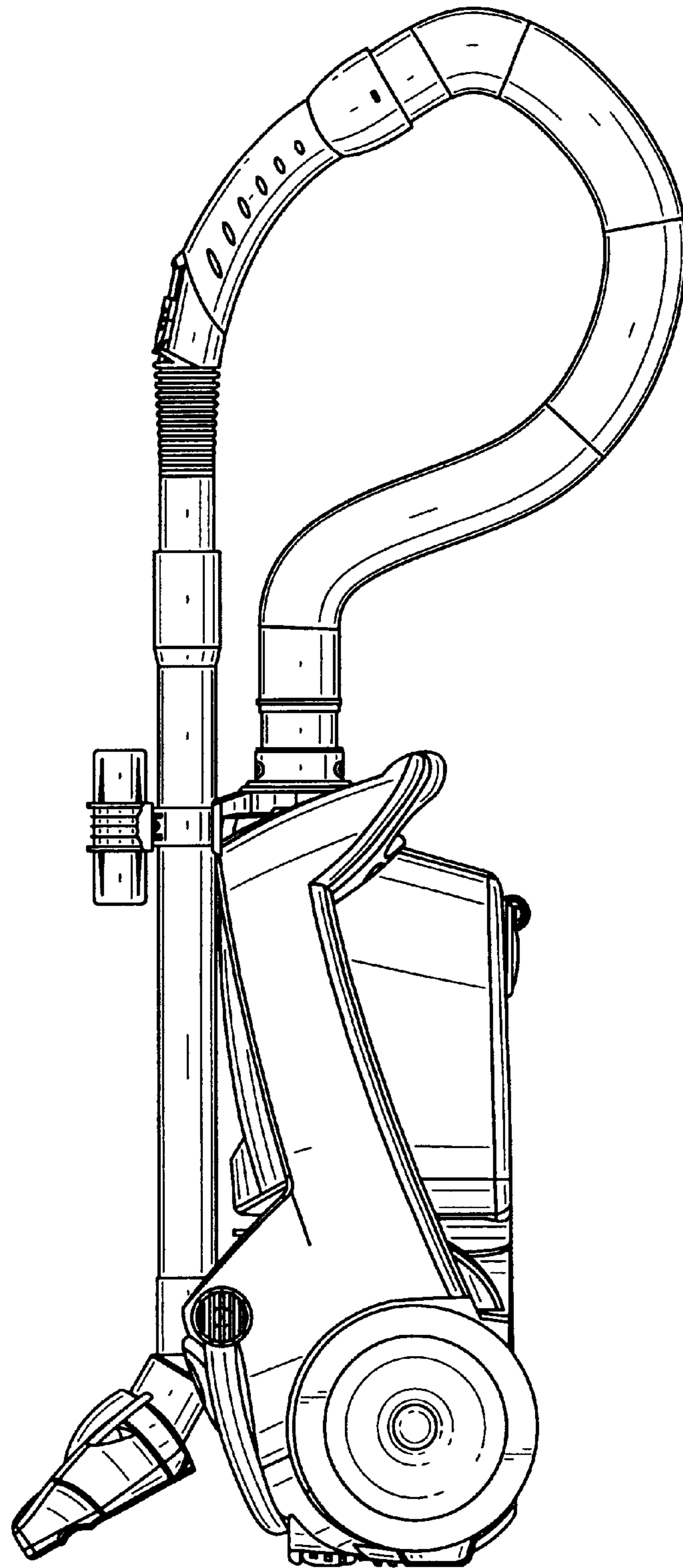


FIG. 2

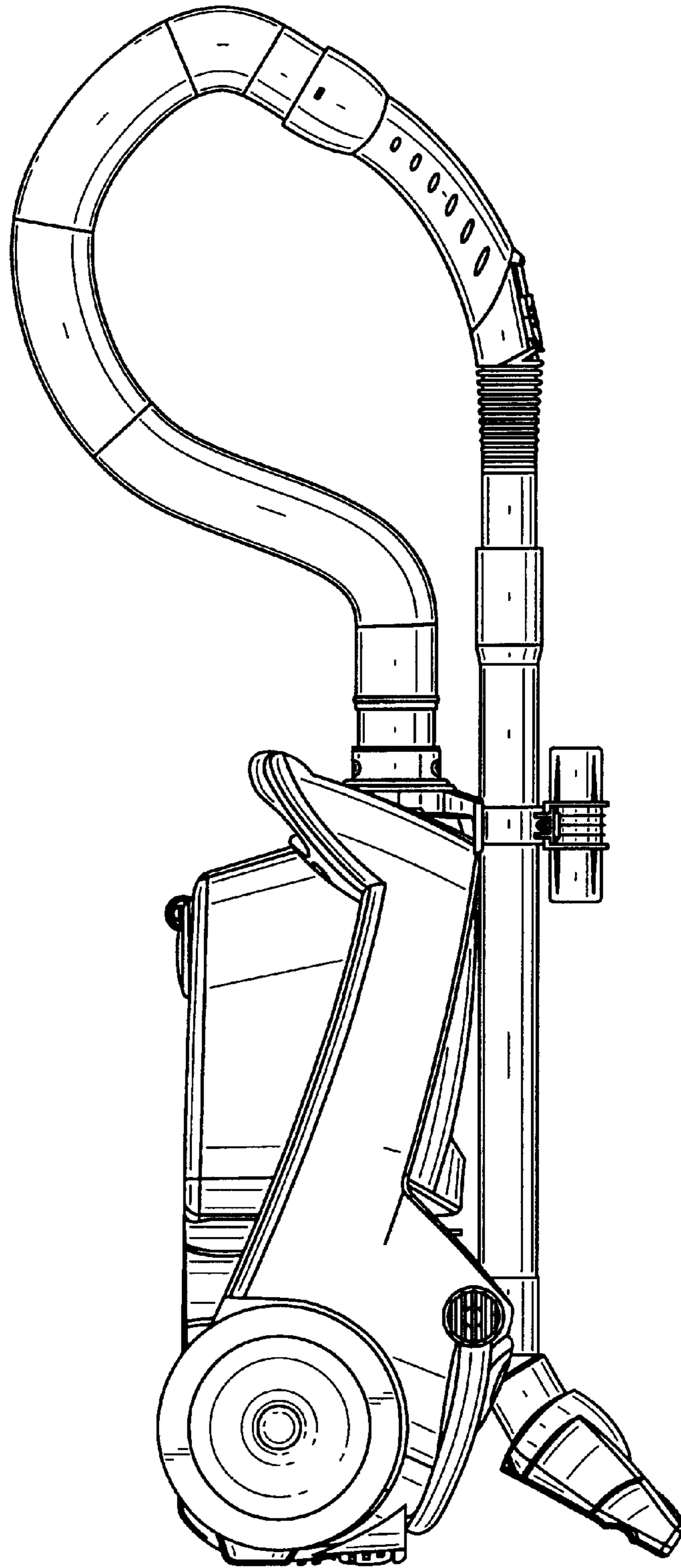


FIG. 3

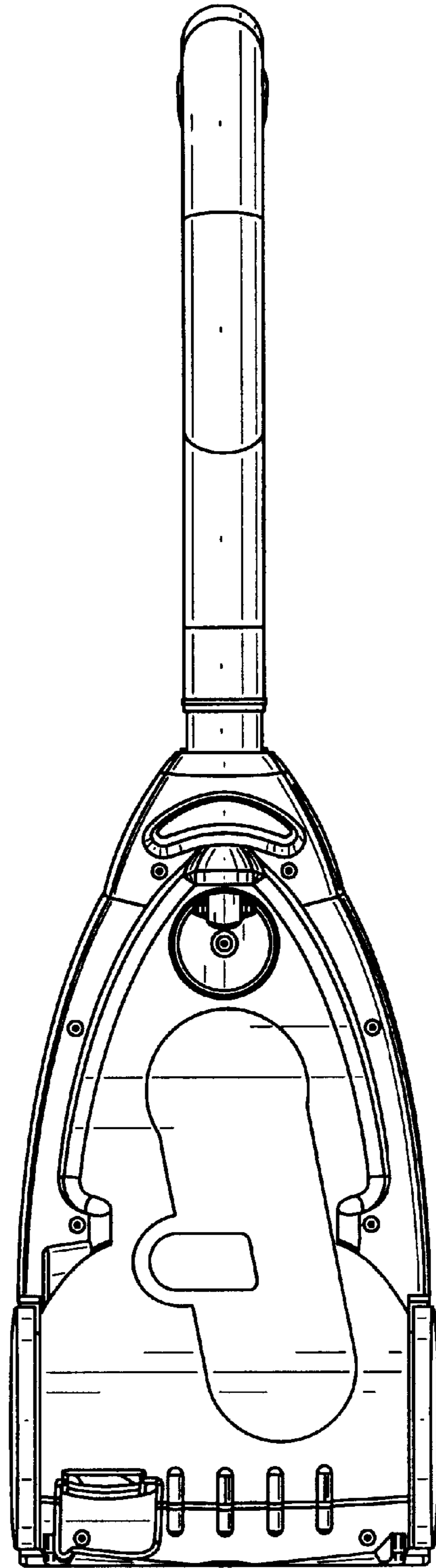


FIG. 4

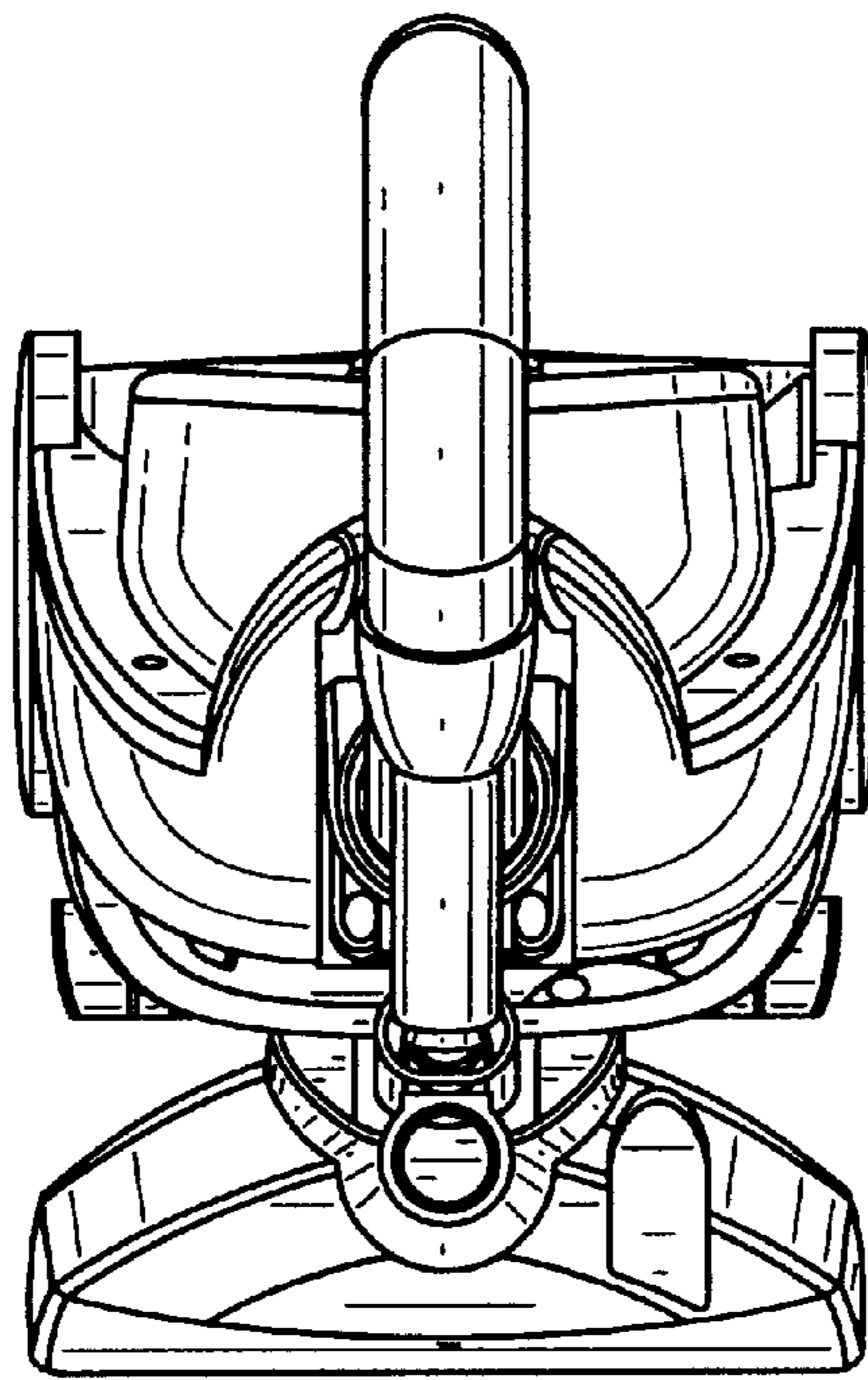


FIG. 5

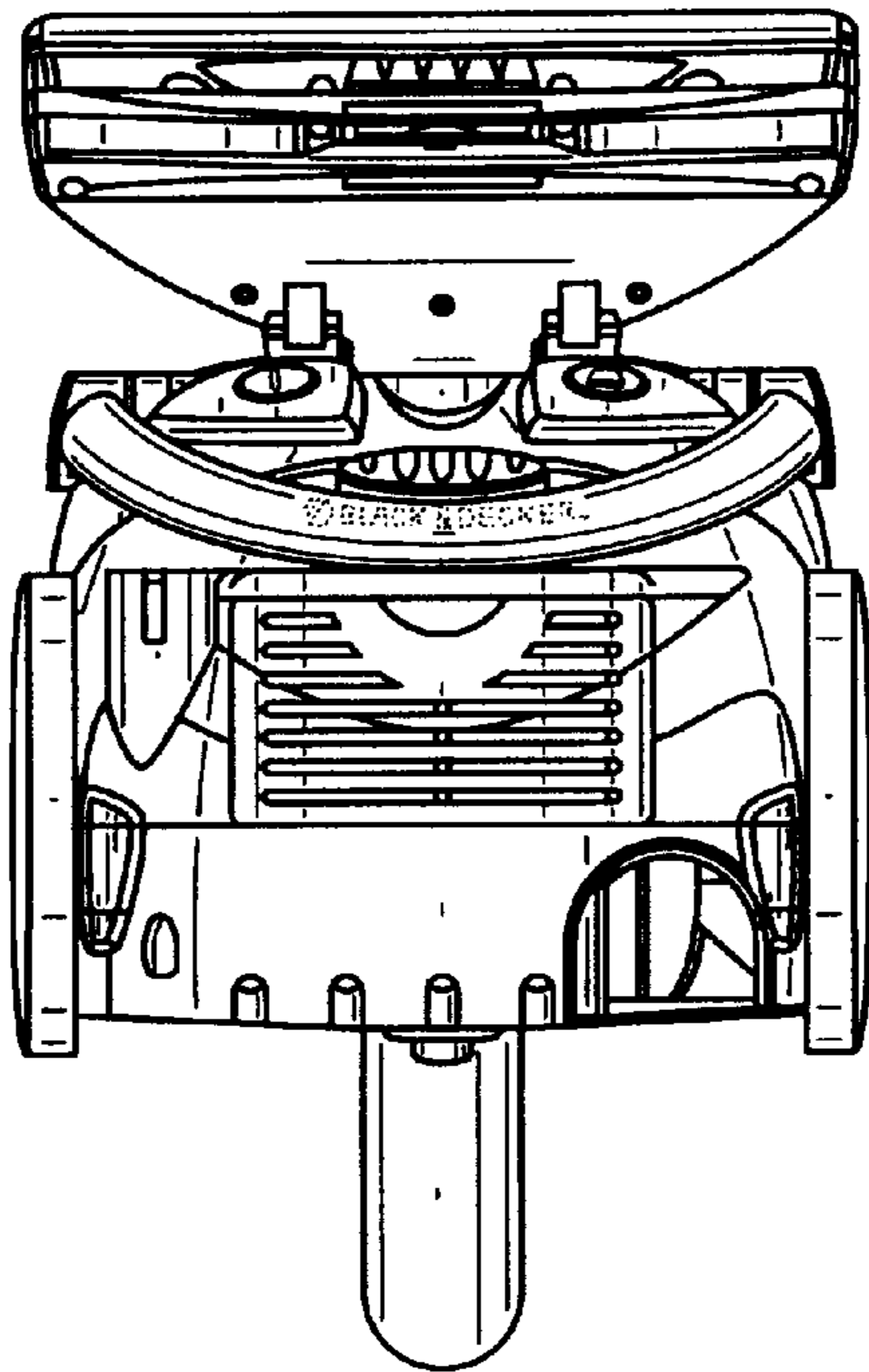


FIG. 6

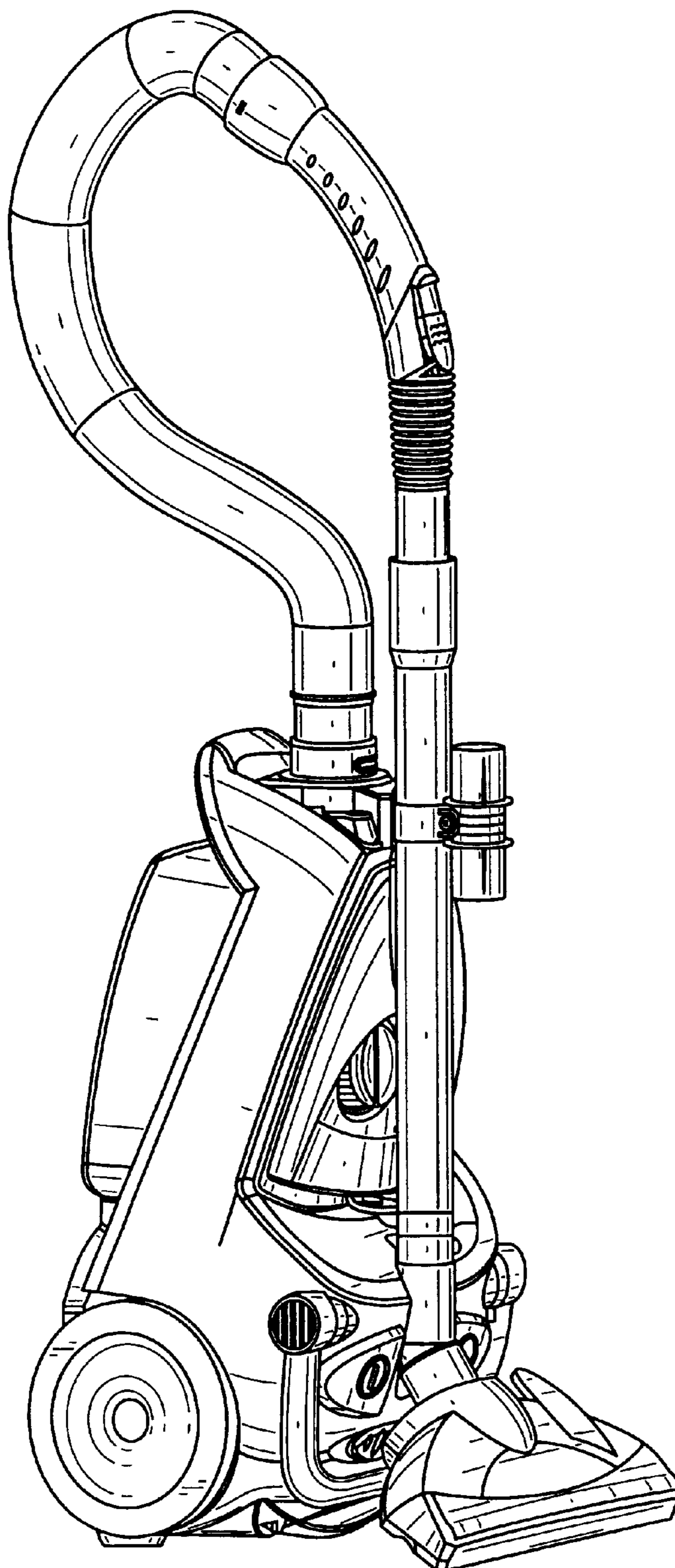


FIG. 7

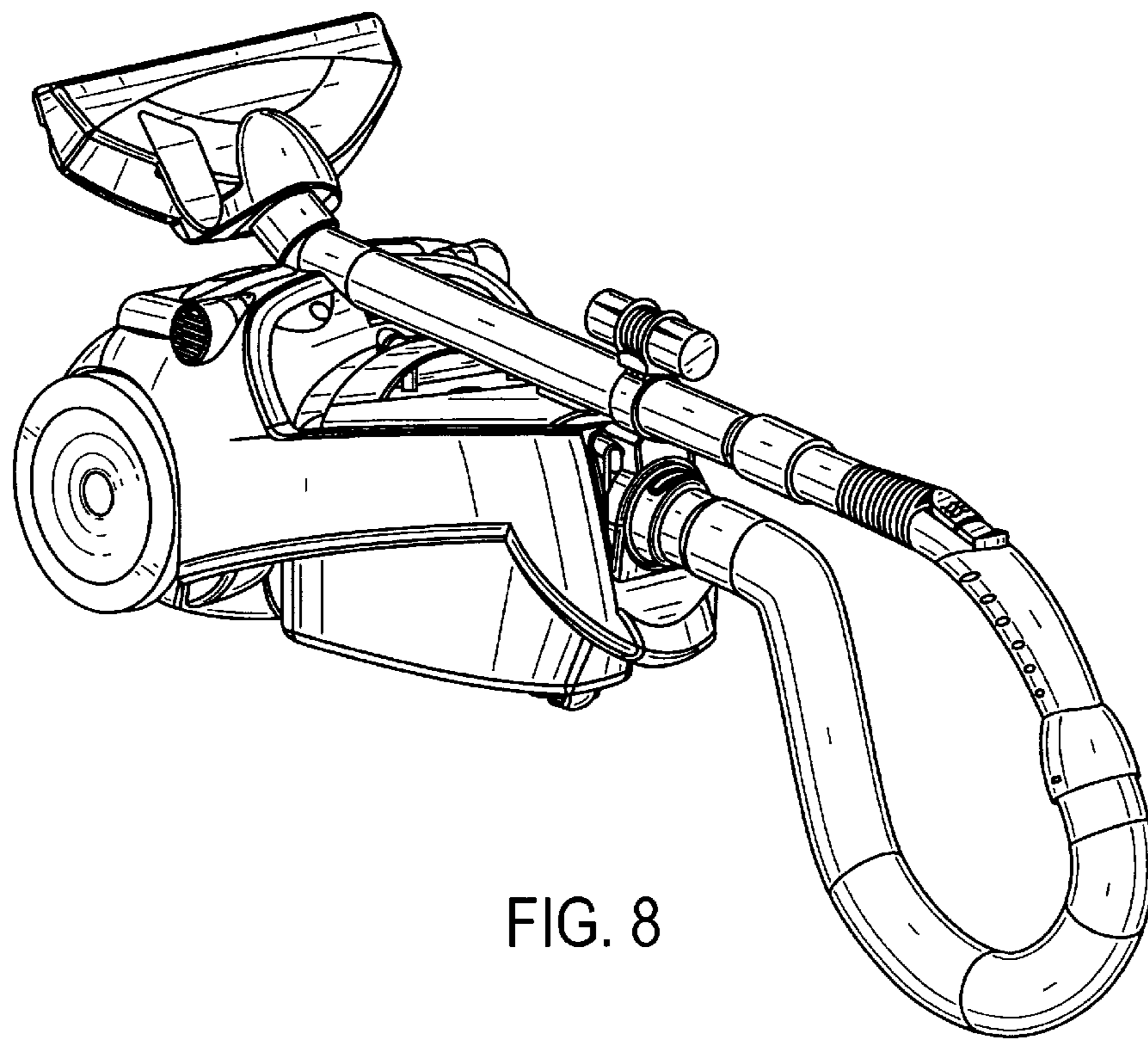


FIG. 8

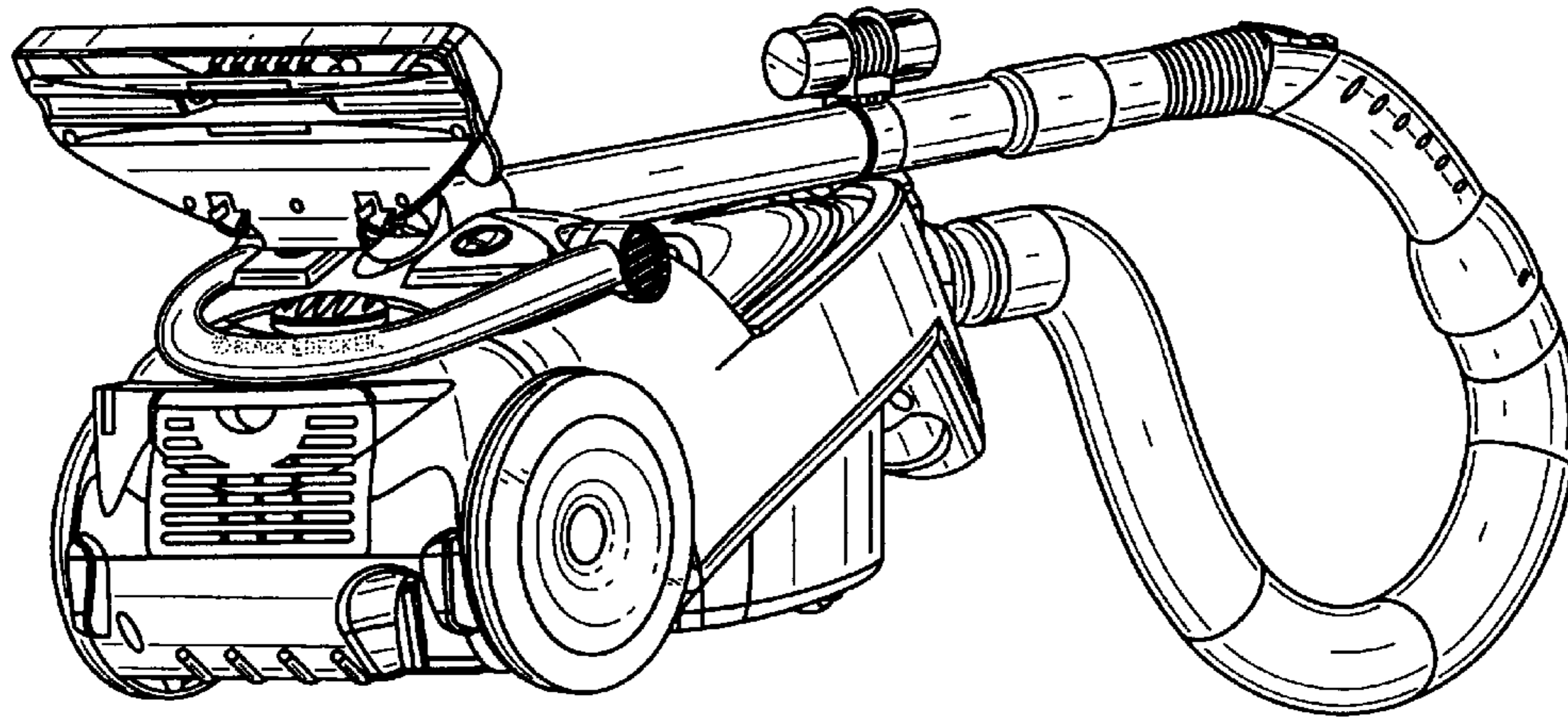


FIG. 9