



US00D518252S

(12) **United States Design Patent**
Wu

(10) **Patent No.:** **US D518,252 S**
(45) **Date of Patent:** **** Mar. 28, 2006**

(54) **DRAIN CLEANER STRIP**

(76) Inventor: **Kuei-Kun Wu**, No. 23, Lane 2,
Goangdong 2 St., Kaohsiung (TW)

(**) Term: **14 Years**

(21) Appl. No.: **29/206,987**

(22) Filed: **Jun. 7, 2004**

(51) **LOC (8) Cl.** **15-05**

(52) **U.S. Cl.** **D32/14**

(58) **Field of Classification Search** D32/25,
D32/1, 31, 14, 40; 15/104.001, 104.03, 104.04,
15/104.05, 104.09, 104.16, 104.31, 104.32,
15/104.33; 4/255, 255.01, 255.07; 137/242,
137/15.07; 134/22, 166 C, 167 C, 168 C,
134/168 R

See application file for complete search history.

(56) **References Cited**

U.S. PATENT DOCUMENTS

3,360,818 A * 1/1968 Edwards 15/104.16
3,934,280 A * 1/1976 Tancredi 4/255.02
D247,590 S * 3/1978 Atherton et al. D20/41
D296,882 S * 7/1988 Lopez D11/221

D384,507 S * 10/1997 Mudie D4/137
D387,254 S * 12/1997 Klamm D8/14
D435,944 S * 1/2001 Luoma D32/14
D471,684 S * 3/2003 Roberts D32/49
6,775,873 B1 * 8/2004 Luoma 15/104.33

* cited by examiner

Primary Examiner—Louis S. Zarfes

Assistant Examiner—Kathleen M. Sims

(74) *Attorney, Agent, or Firm*—Alan D. Kamrath; Nikolai
& Mersereau, P.A.

(57) **CLAIM**

The ornamental design for a drain cleaner strip, as shown.

DESCRIPTION

FIG. 1 is a perspective view of a drain cleaner strip, showing my new design;

FIG. 2 is a front view plan thereof;

FIG. 3 is a rear view plan thereof;

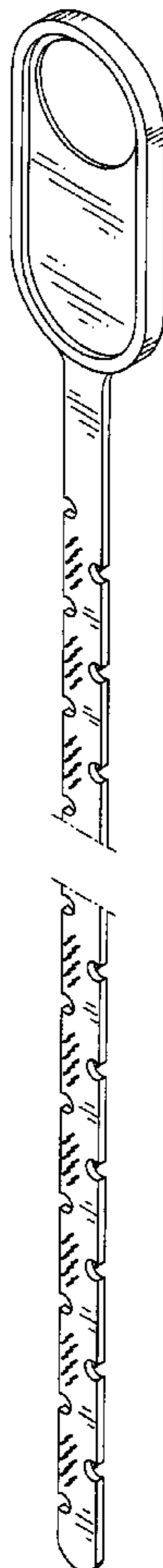
FIG. 4 is a left view plan thereof;

FIG. 5 is a right view plan thereof;

FIG. 6 is a top plan view thereof; and,

FIG. 7 is a bottom plan view thereof.

1 Claim, 4 Drawing Sheets



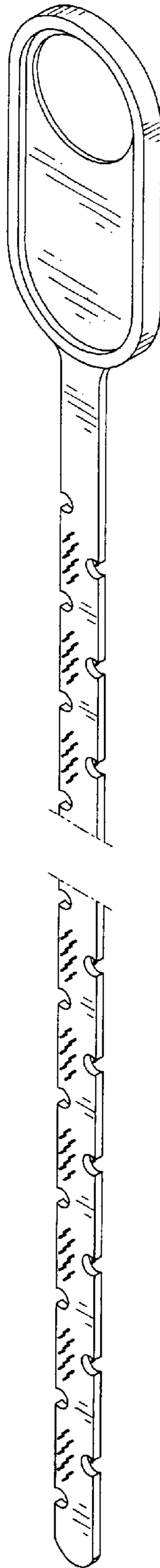


FIG. 1

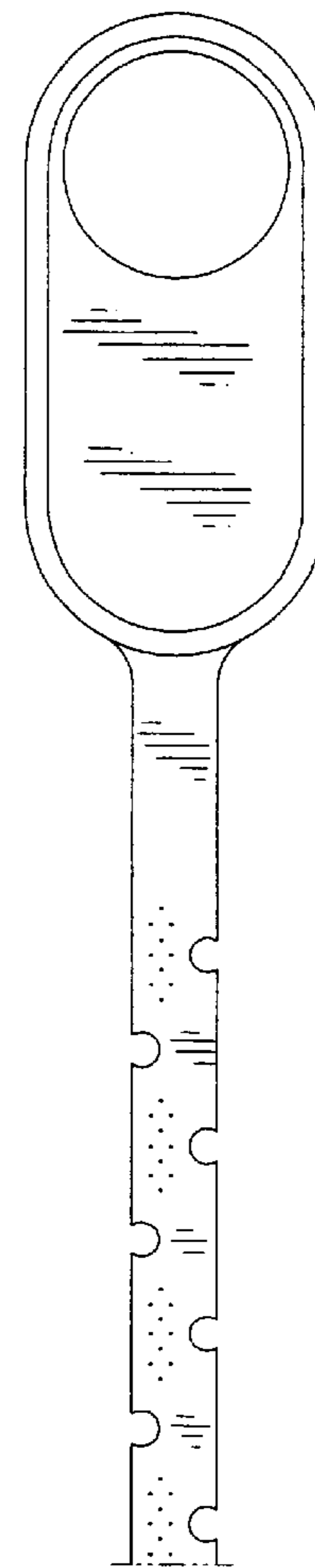
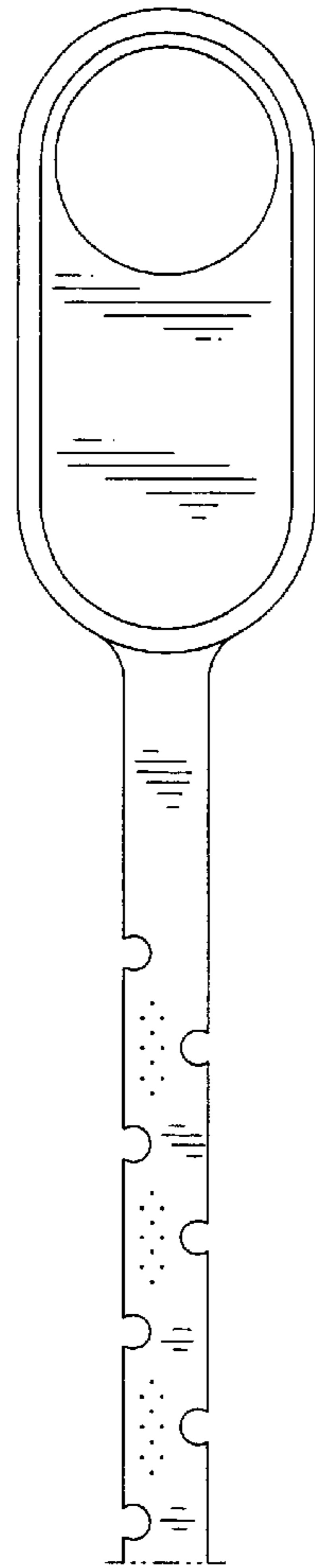
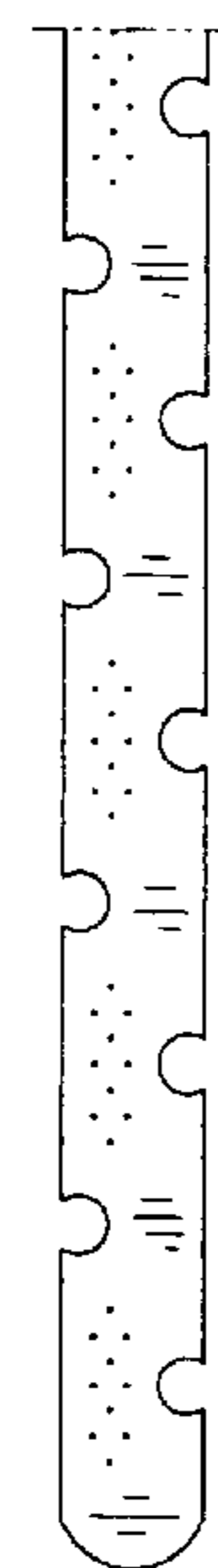
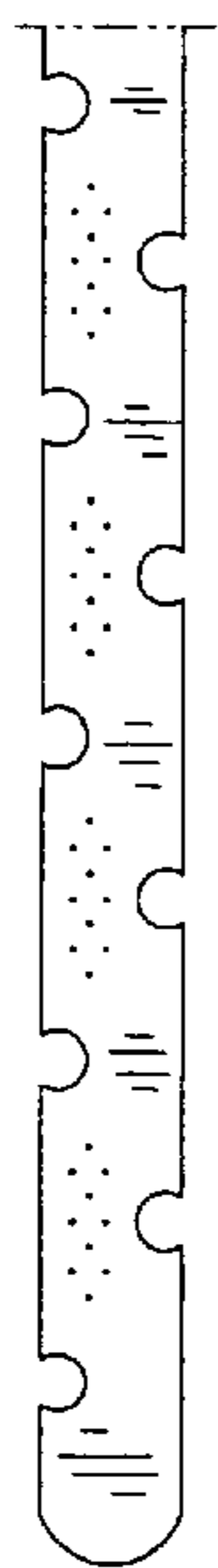


FIG. 2

FIG. 3



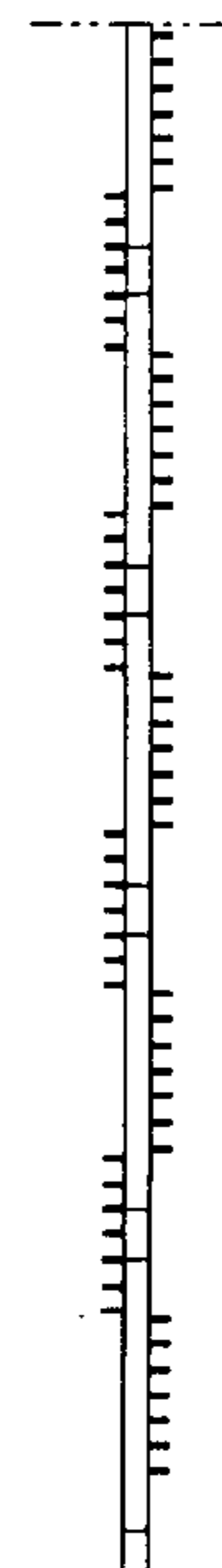
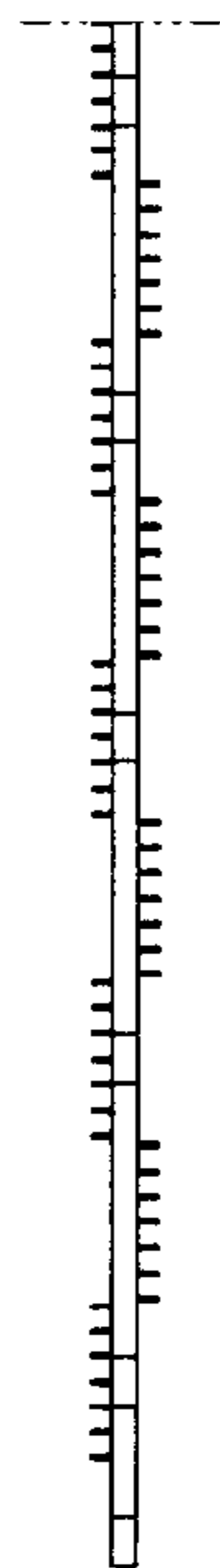
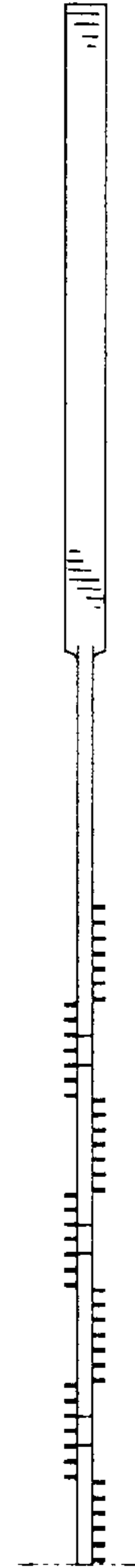
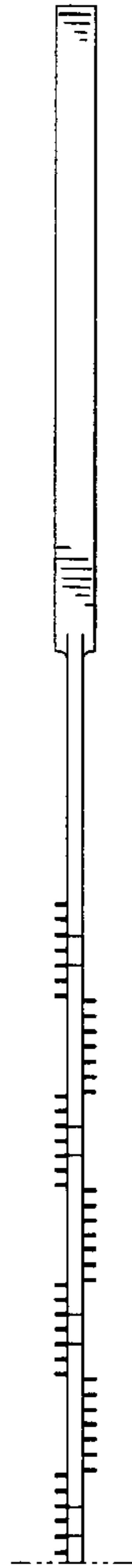


FIG. 4

FIG. 5



FIG. 6



FIG. 7