



US00D518246S

(12) **United States Design Patent**
Bunjes

(10) **Patent No.:** **US D518,246 S**

(45) **Date of Patent:** **** Mar. 28, 2006**

(54) **STIRRUP**

(75) Inventor: **Hans Bunjes**, Wardenburg (DE)

(73) Assignee: **Georg Kieffer Satterwarenfabrik GmbH**, Munich (DE)

(**) Term: **14 Years**

(21) Appl. No.: **29/200,278**

(22) Filed: **Feb. 25, 2004**

(30) **Foreign Application Priority Data**

Nov. 28, 2003 (EM) 107685

(51) **LOC (8) Cl.** **30-04**

(52) **U.S. Cl.** **D30/142; 54/47**

(58) **Field of Classification Search** D30/142;
54/47, 49

See application file for complete search history.

(56) **References Cited**

U.S. PATENT DOCUMENTS

186,853 A * 1/1877 Knight 54/47

746,126 A * 12/1903 Myers 54/48

887,005 A * 5/1908 Miller 54/49

909,735 A * 1/1909 Alter 54/49

1,121,848 A * 12/1914 Koch 54/47

2,532,082 A * 11/1950 Borst 54/47

D318,936 S * 8/1991 Rabeck D30/142

6,089,004 A * 7/2000 Hsi-Chang et al. 54/49

* cited by examiner

Primary Examiner—Stella Reid

Assistant Examiner—Susan M Lee

(74) *Attorney, Agent, or Firm*—Milde & Hoffberg, LLP

(57) **CLAIM**

The ornamental design for a stirrup, as shown and described.

DESCRIPTION

FIG. 1 is a front view of the stirrup according to my design.

FIG. 2 is a left side view of the stirrup of FIG. 1.

FIG. 3 is a right side view of the stirrup of FIG. 1.

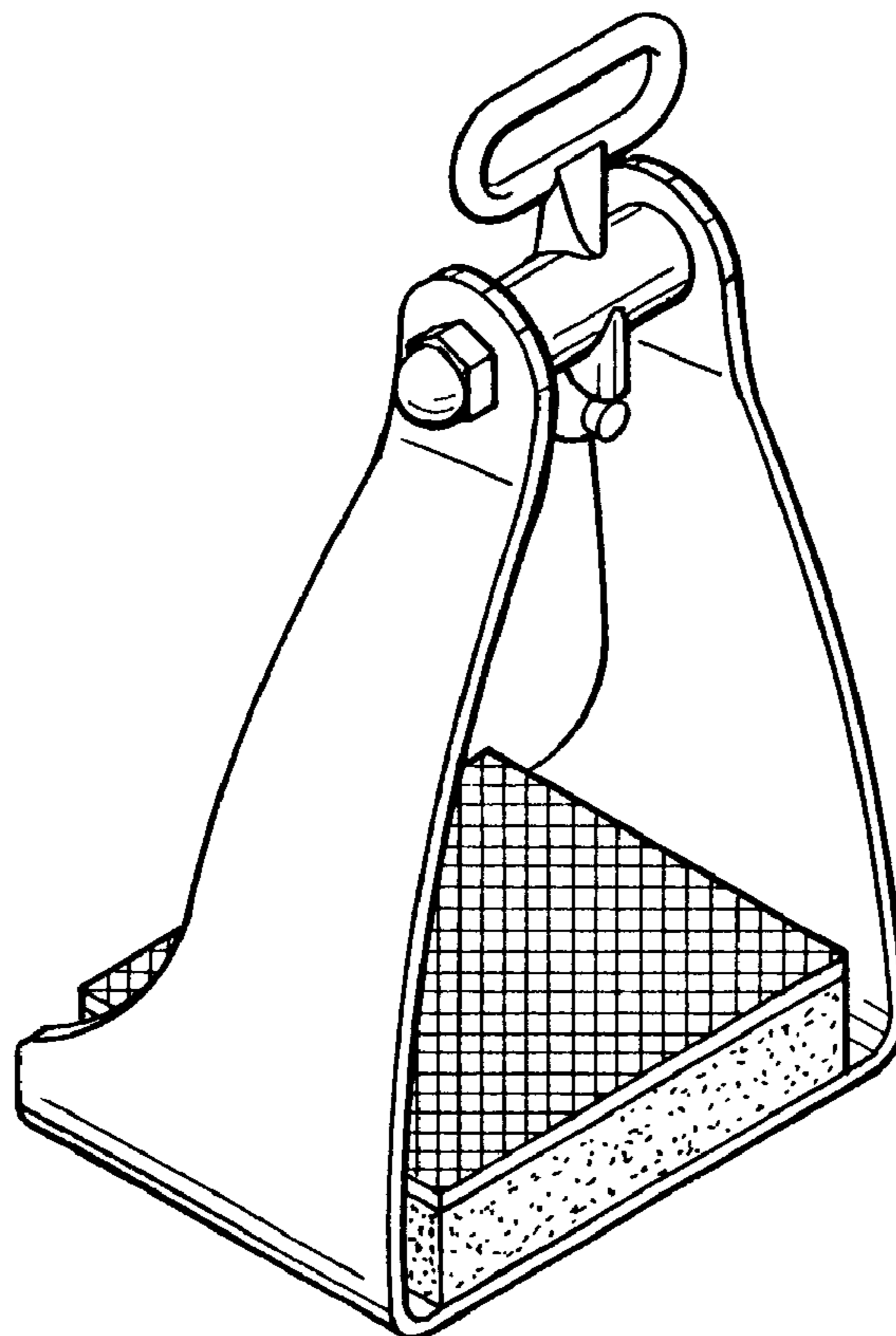
FIG. 4 is a rear view of the stirrup of FIG. 1.

FIG. 5 is a top view of the stirrup of FIG. 1.

FIG. 6 is a bottom view of the stirrup of FIG. 1; and,

FIG. 7 is a perspective view of the stirrup of FIG. 1.

1 Claim, 1 Drawing Sheet



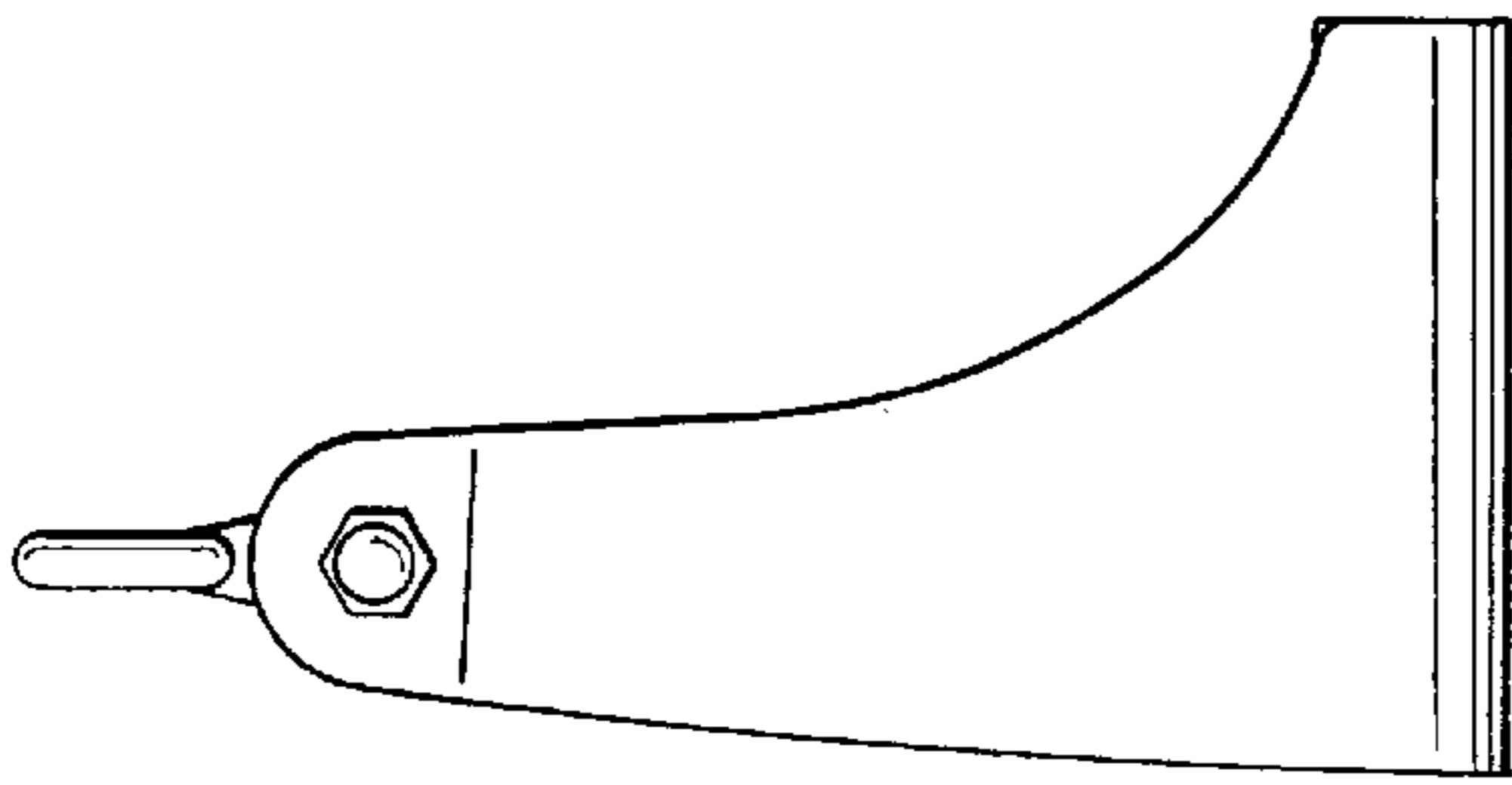


FIG. 2

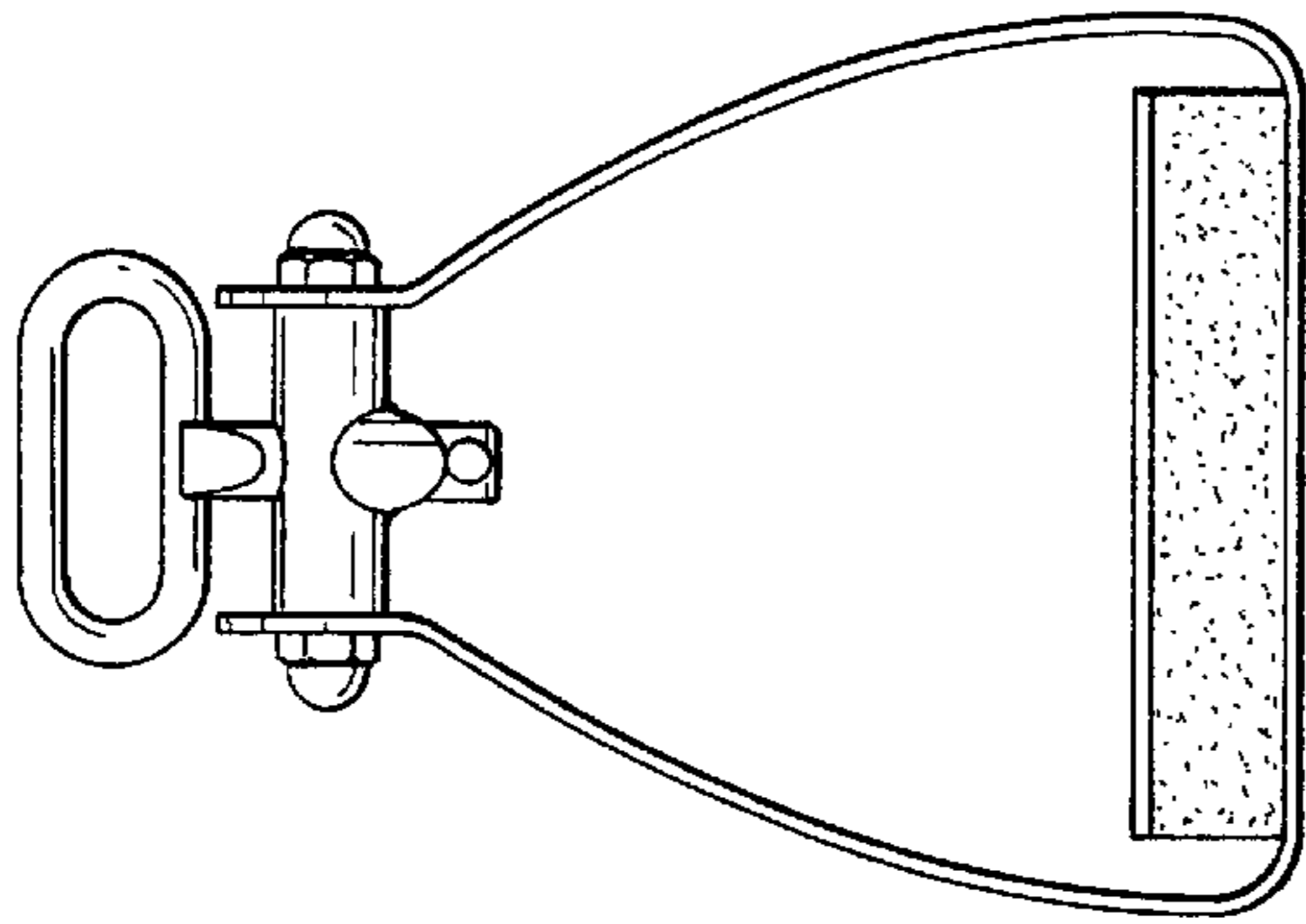


FIG. 1

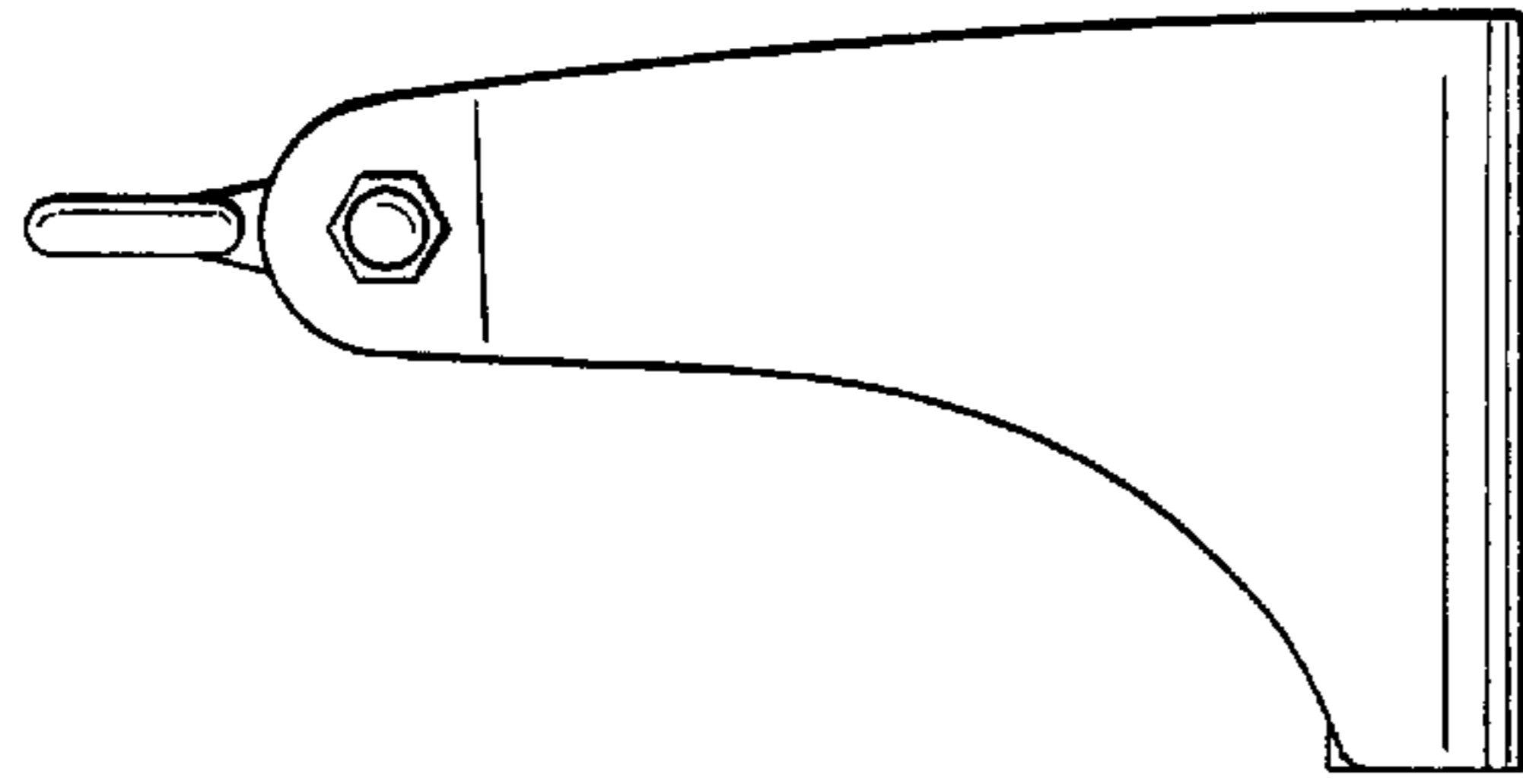


FIG. 3

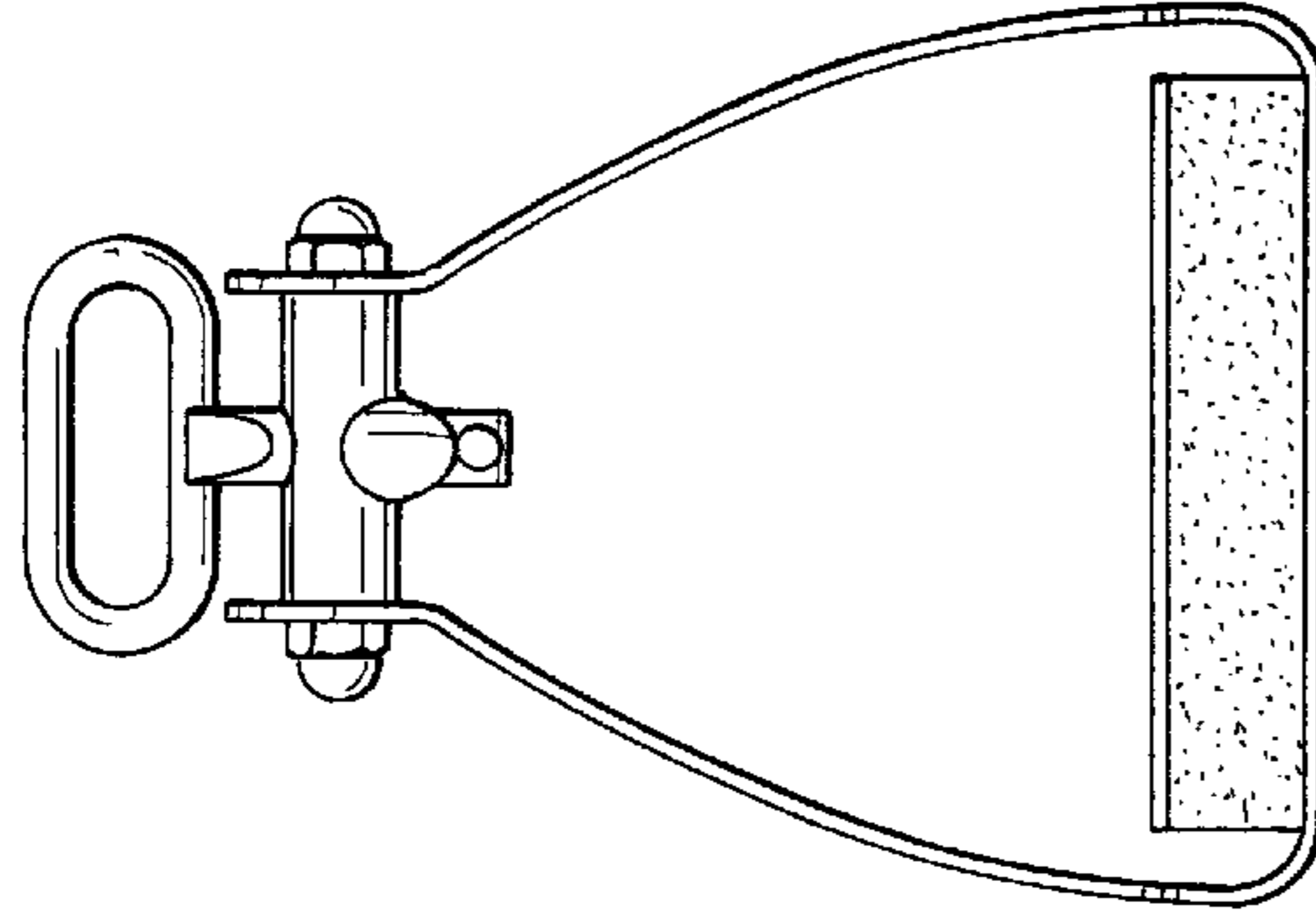


FIG. 4

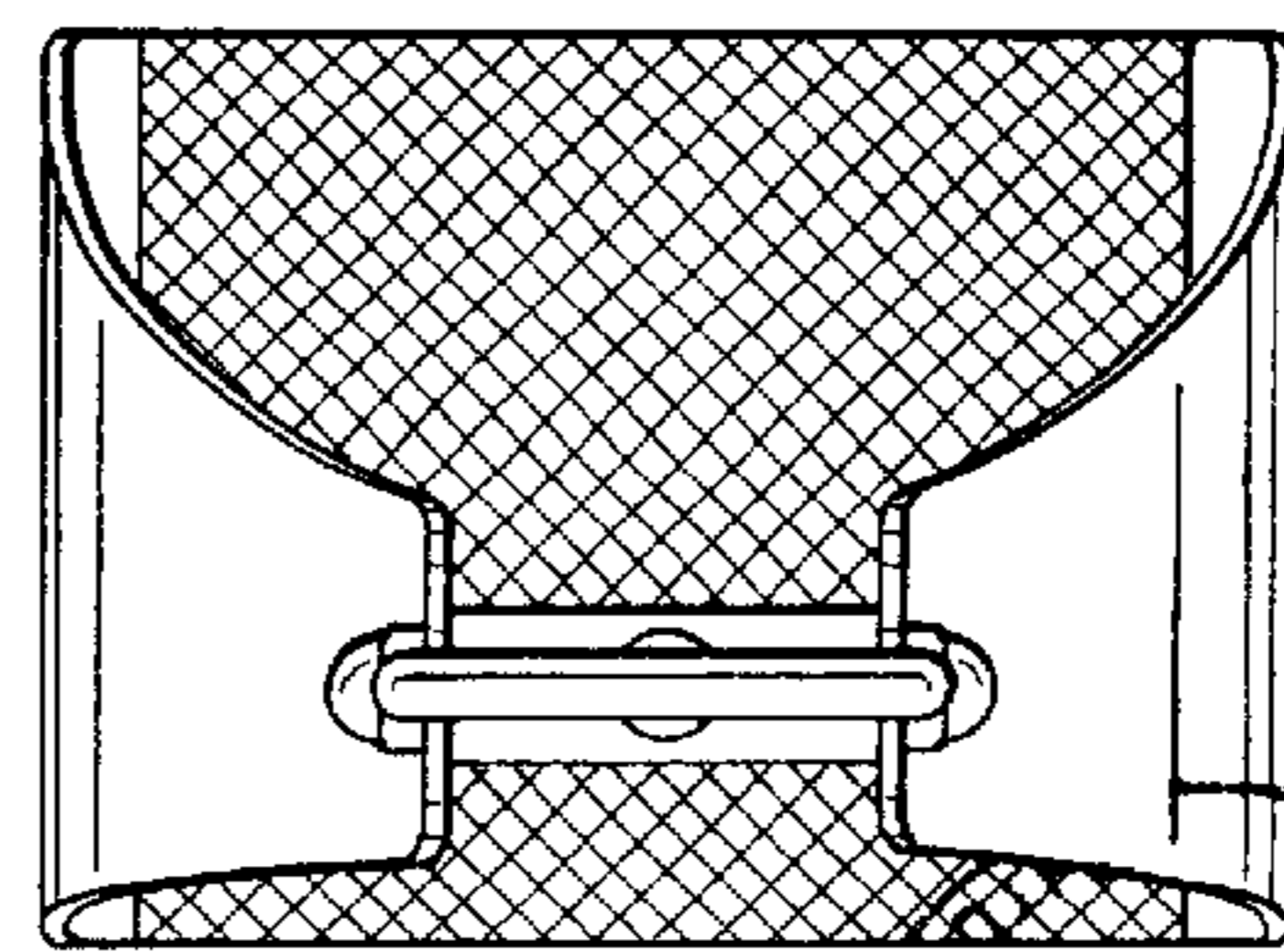


FIG. 5

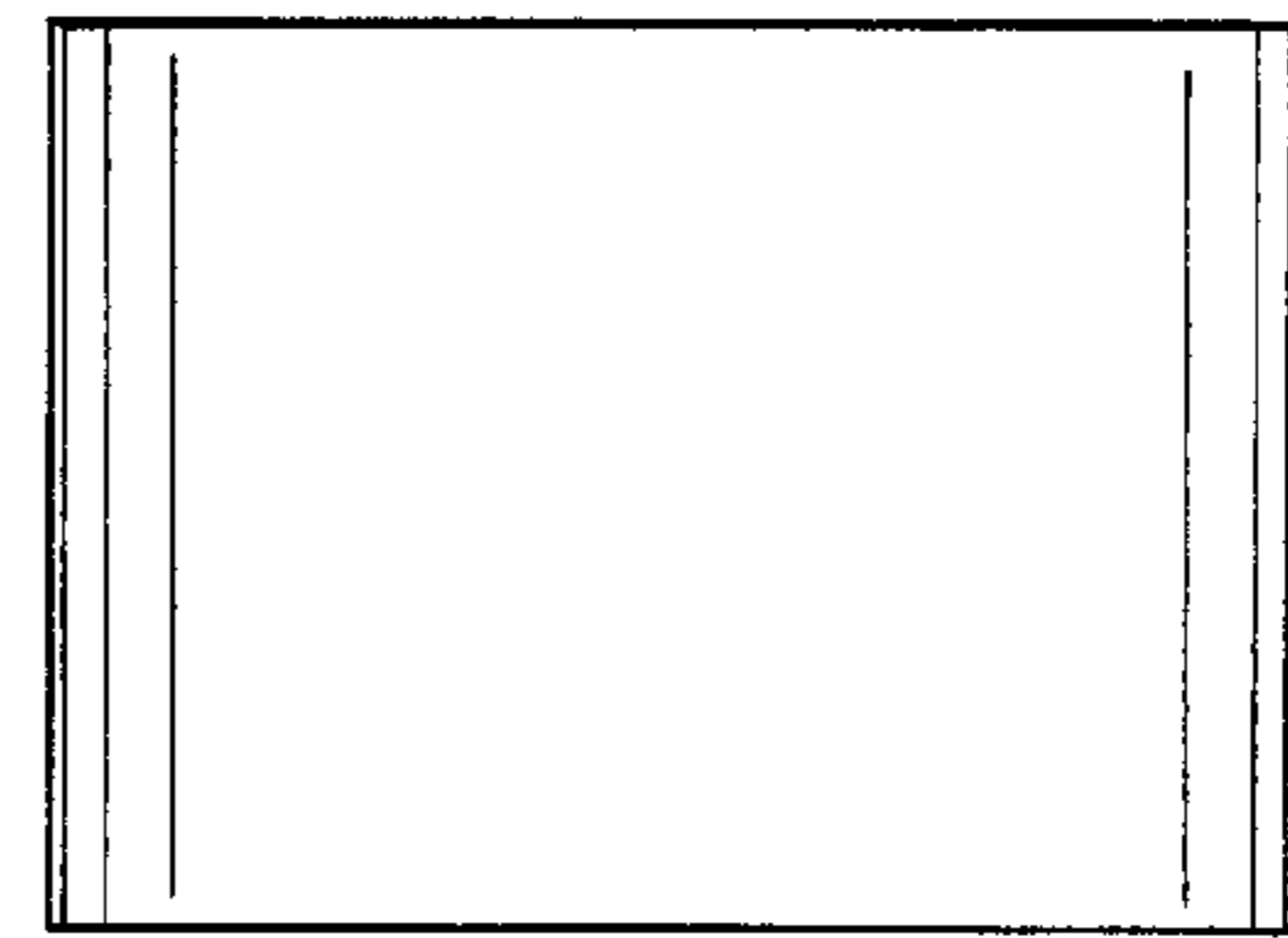


FIG. 6

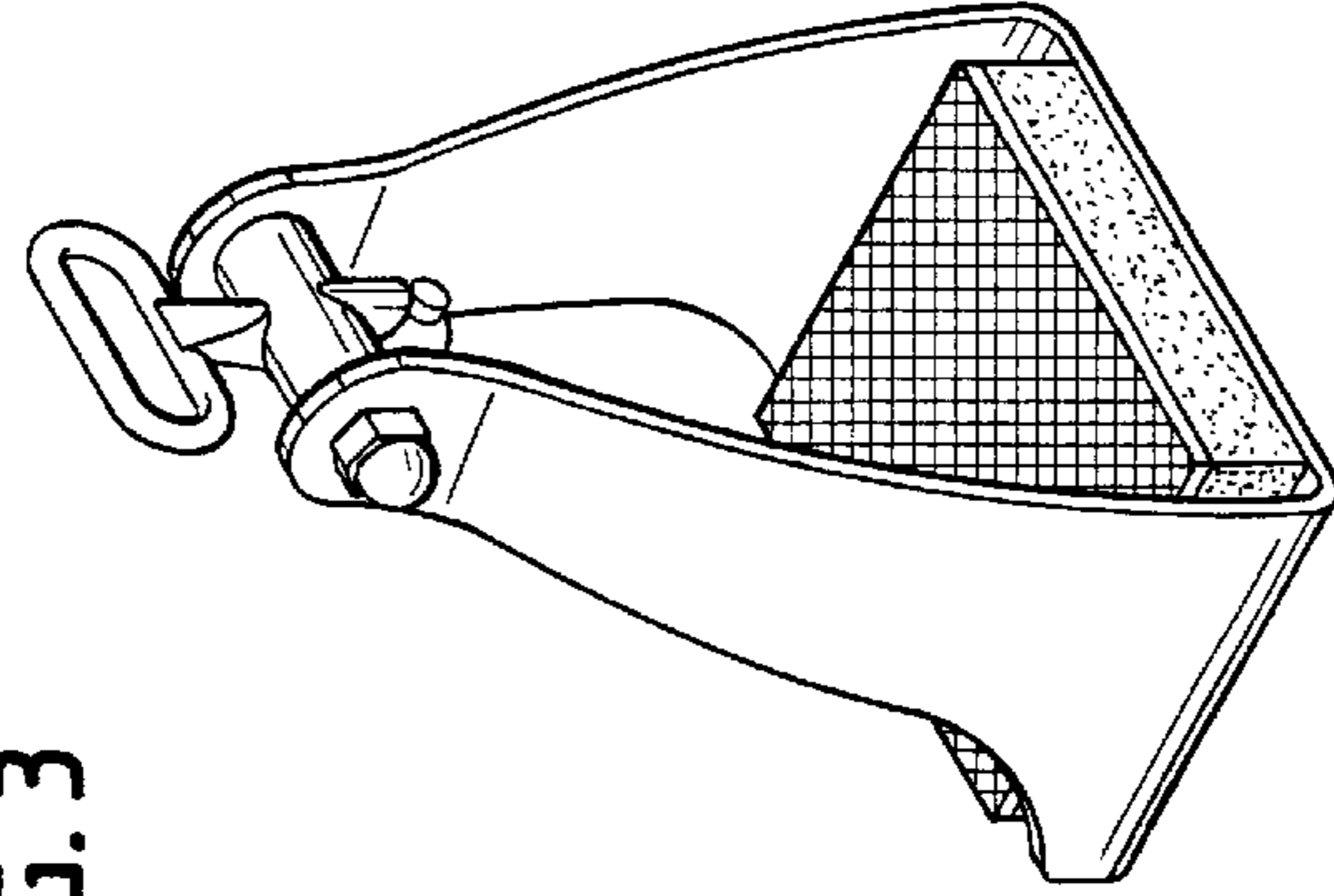


FIG. 7