



US00D518245S

(12) **United States Design Patent**
Denslow et al.

(10) **Patent No.: US D518,245 S**
(45) **Date of Patent: ** Mar. 28, 2006**

(54) **GAME FEEDER**

(75) Inventors: **Ronald S. Denslow**, Stanwood, MI (US); **Michael B. Critchfield**, Stanwood, MI (US)

(73) Assignee: **D&D Enterprises**, Mecosta, MI (US)

(**) Term: **14 Years**

(21) Appl. No.: **29/219,030**

(22) Filed: **Dec. 10, 2004**

(51) **LOC (8) Cl.** **30-07**

(52) **U.S. Cl.** **D30/121**

(58) **Field of Classification Search** D30/124, D30/121, 122, 132, 133, 106; D9/527, 526; 119/57.91, 51.04, 51.11, 54, 53.5, 51.01, 119/56.1, 51.12-51.13, 51.5, 53, 52.1, 55, 119/57.4, 72, 74, 78; 222/450, 511, 183, 222/185, 556, 368, 481, 158, 406, 317, 473, 222/66, 108, 143, 181.1, 185.1, 361, 517; 239/666, 7, 71, 687, 70, 686, 668; D7/589, D7/300; 251/297; 414/294, 301, 808; D23/202; 43/44.99, 57.2, 57.1

See application file for complete search history.

4,440,806 A 4/1984 Muri
 D276,020 S * 10/1984 Battista D7/589
 4,562,941 A * 1/1986 Sanfilippo 222/108
 D283,869 S * 5/1986 Blahowicz D7/589
 D296,405 S * 6/1988 Weaver D7/589
 4,802,609 A * 2/1989 Morse et al. 222/158
 4,967,697 A 11/1990 Lau
 D320,481 S 10/1991 Sterner
 5,069,165 A * 12/1991 Rousseau 119/57.6
 5,143,289 A 9/1992 Gresham et al.
 5,222,634 A * 6/1993 Hayes 222/185.1
 5,271,568 A 12/1993 Stevie
 5,368,192 A 11/1994 Ransom, II
 D354,414 S * 1/1995 Westgerdes D7/313

(Continued)

FOREIGN PATENT DOCUMENTS

GB 2 207 842 A 2/1989
 GB 2 233 872 A 1/1991
 JP 405284875 A 11/1993

Primary Examiner—Alan P. Douglas
Assistant Examiner—Susan Moon Lee
 (74) *Attorney, Agent, or Firm*—Van Dyke, Gardner, Linn & Burkhardt, LLP

(57) **CLAIM**

The ornamental design for a game feeder, as shown and described.

DESCRIPTION

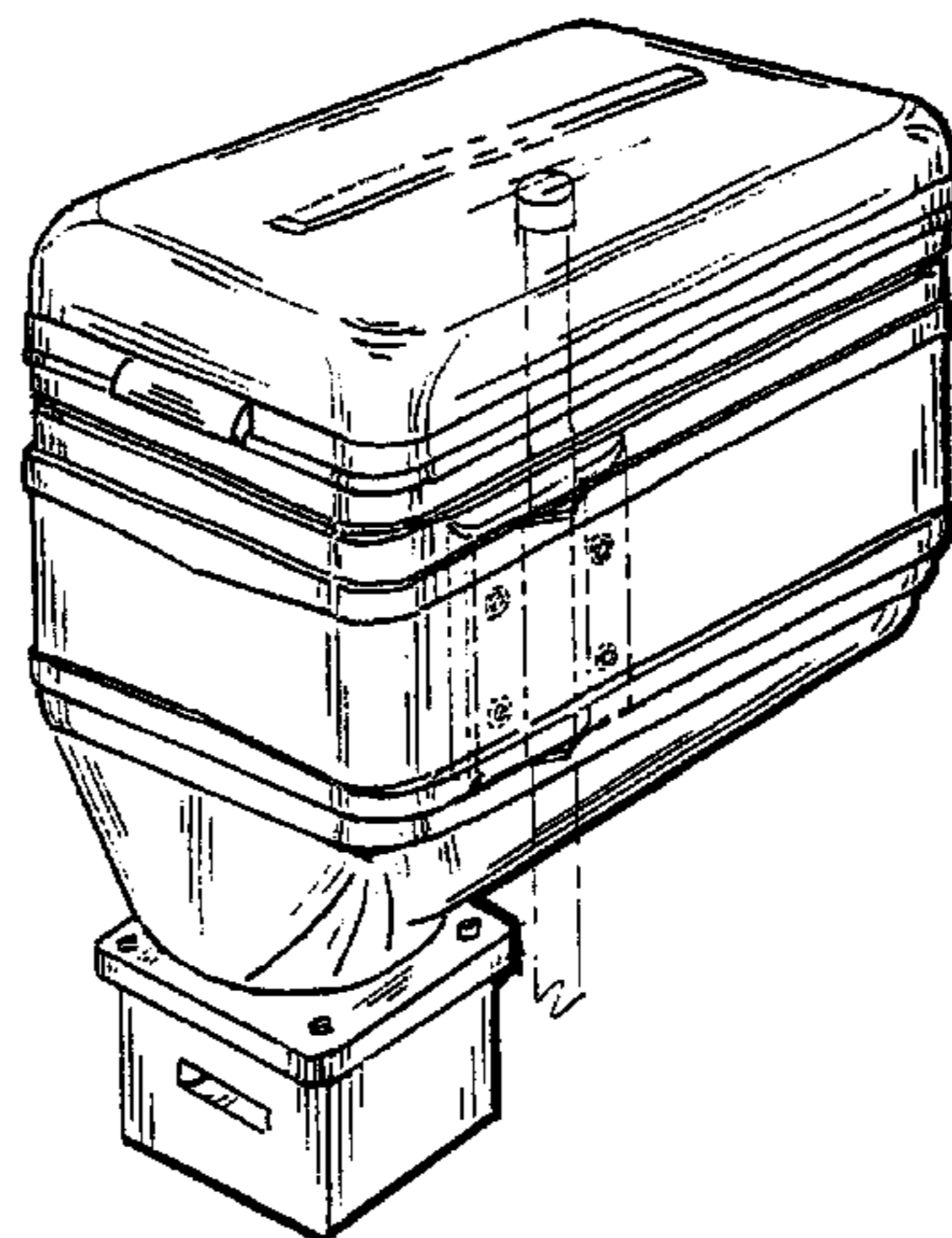
FIG. 1 is a right side perspective view of a game feeder showing my new design, with a mounting detent, pole, attachment plate, and bolts shown in dotted lines not forming a part of the invention;
 FIG. 2 is a perspective view of the left side of the game feeder of FIG. 1;
 FIG. 3 is a right side perspective view of FIG. 1;
 FIG. 4 is a left side perspective view of FIG. 1;
 FIG. 5 is a top plan view of FIG. 1;
 FIG. 6 is a bottom perspective view of FIG. 1;
 FIG. 7 is a front perspective view of FIG. 1; and,
 FIG. 8 is a back elevation of FIG. 1.

1 Claim, 4 Drawing Sheets

(56) **References Cited**

U.S. PATENT DOCUMENTS

1,239,404 A 9/1917 Knoll, Jr.
 1,359,691 A 11/1920 Genuit
 1,533,796 A 4/1925 Genuit
 2,934,037 A 4/1960 Ernest
 2,992,008 A 7/1961 Speicher
 3,156,214 A * 11/1964 Denney et al. 119/51.04
 3,195,508 A 7/1965 Lehman et al.
 D212,212 S * 9/1968 Tompkins D9/526
 D214,234 S * 5/1969 Rimini D7/311
 3,528,588 A 9/1970 Moore
 3,659,754 A * 5/1972 Barone et al. 222/368
 3,993,225 A 11/1976 Manni
 4,027,627 A 6/1977 Fillion
 4,166,581 A 9/1979 Hetrick
 4,440,322 A * 4/1984 Henry 222/153.13



US D518,245 S

Page 2

U.S. PATENT DOCUMENTS			
		5,862,777 A	1/1999 Sweeney
		D452,956 S *	1/2002 Hari et al. D9/527
		D469,661 S *	2/2003 Rivkin D7/589
		2003/0070622 A1 *	4/2003 Vaags 119/51.11
5,732,652 A	3/1998	Allen	
5,794,563 A	8/1998	Klepac	
5,826,754 A *	10/1998	Ishaya et al.	222/185.1
D403,130 S *	12/1998	Bunney et al.	D30/121 * cited by examiner

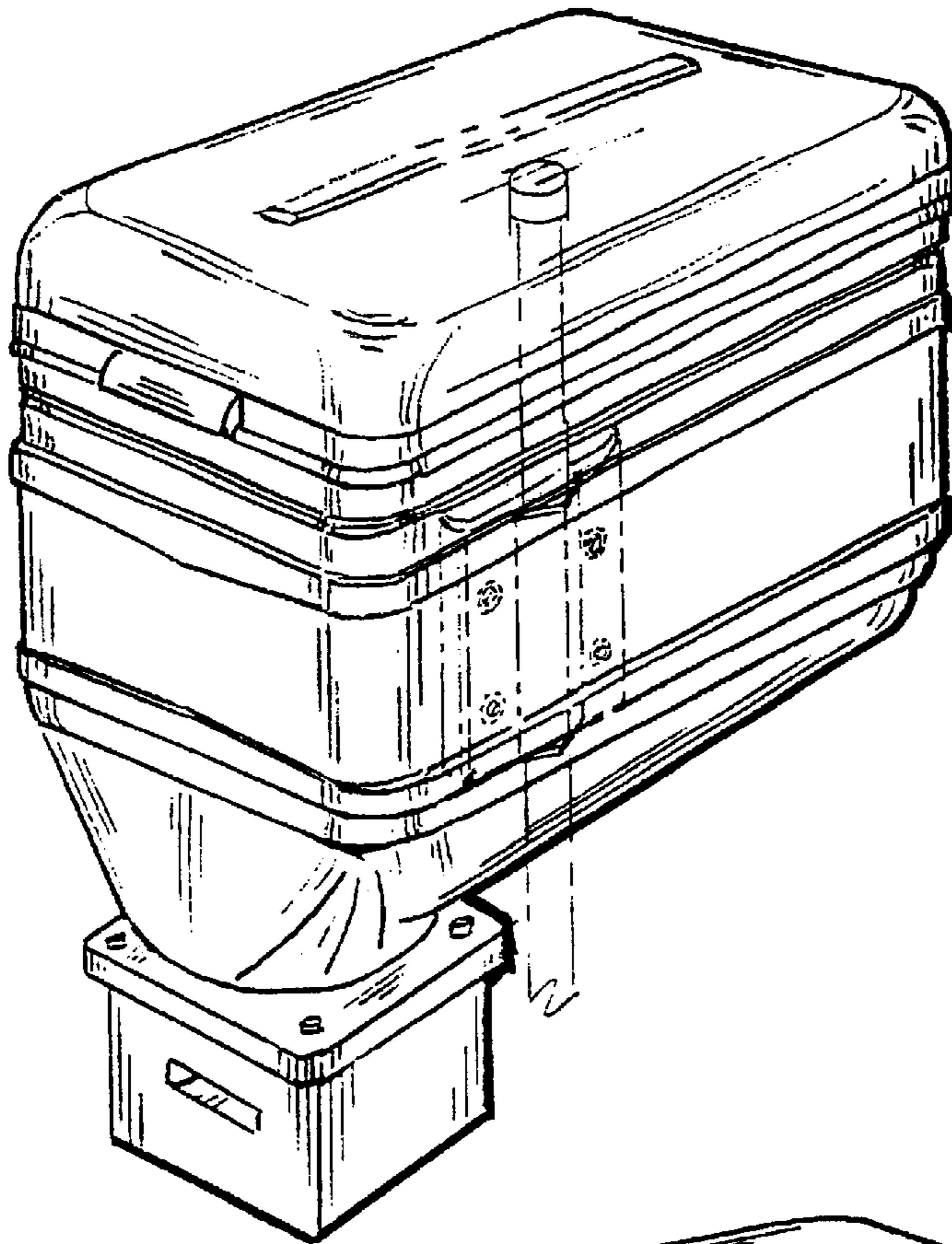


FIG. 1

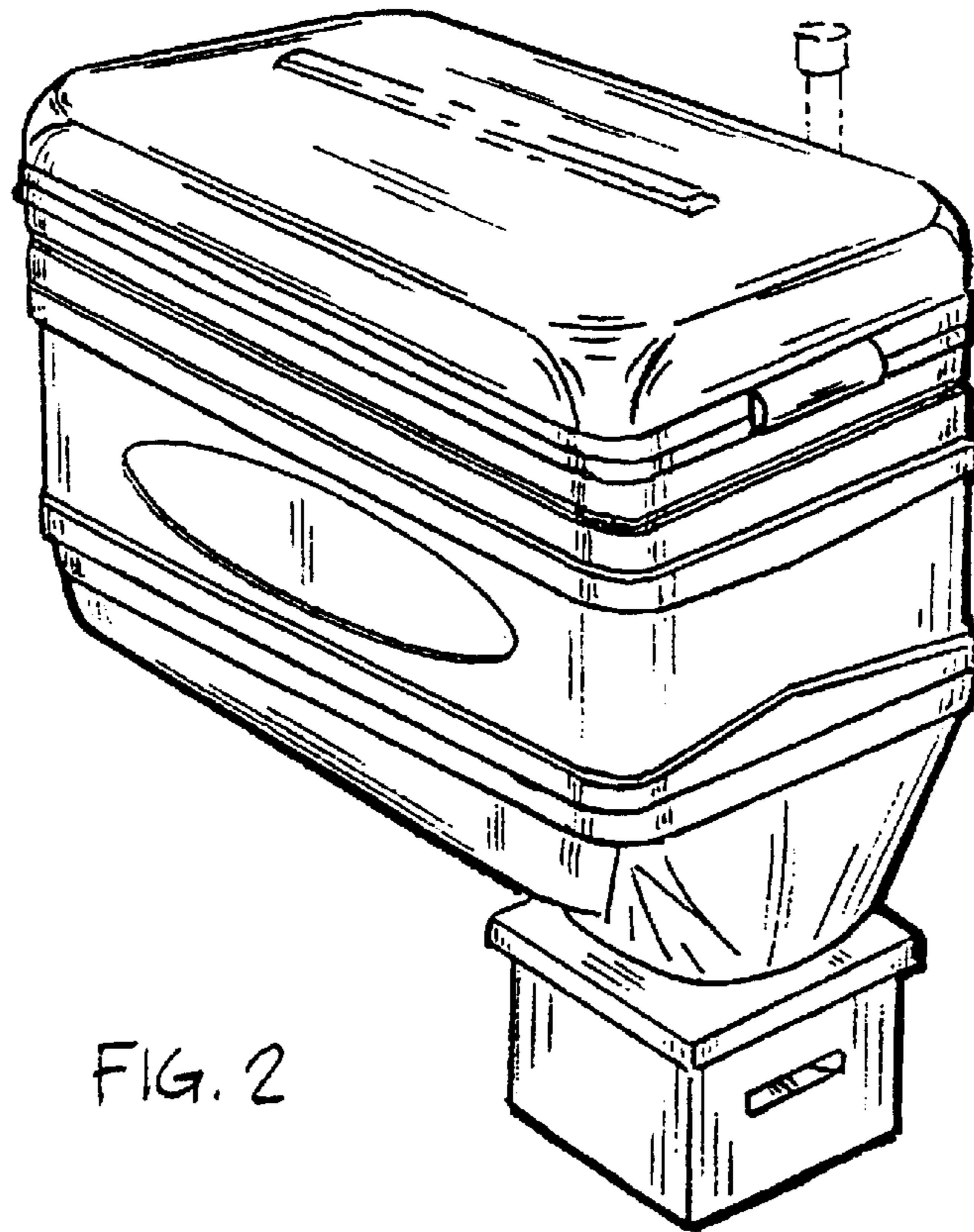


FIG. 2

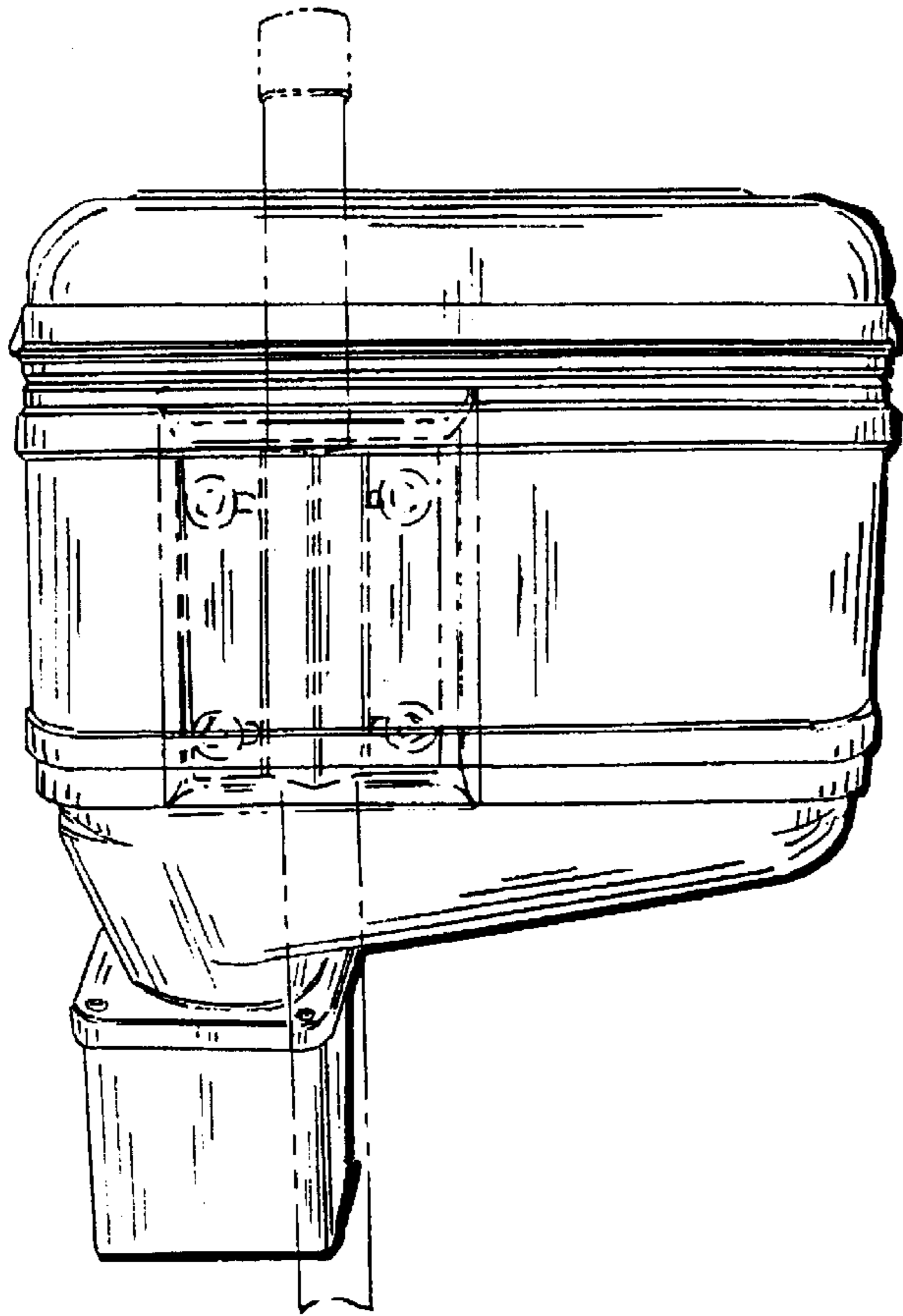


FIG. 3

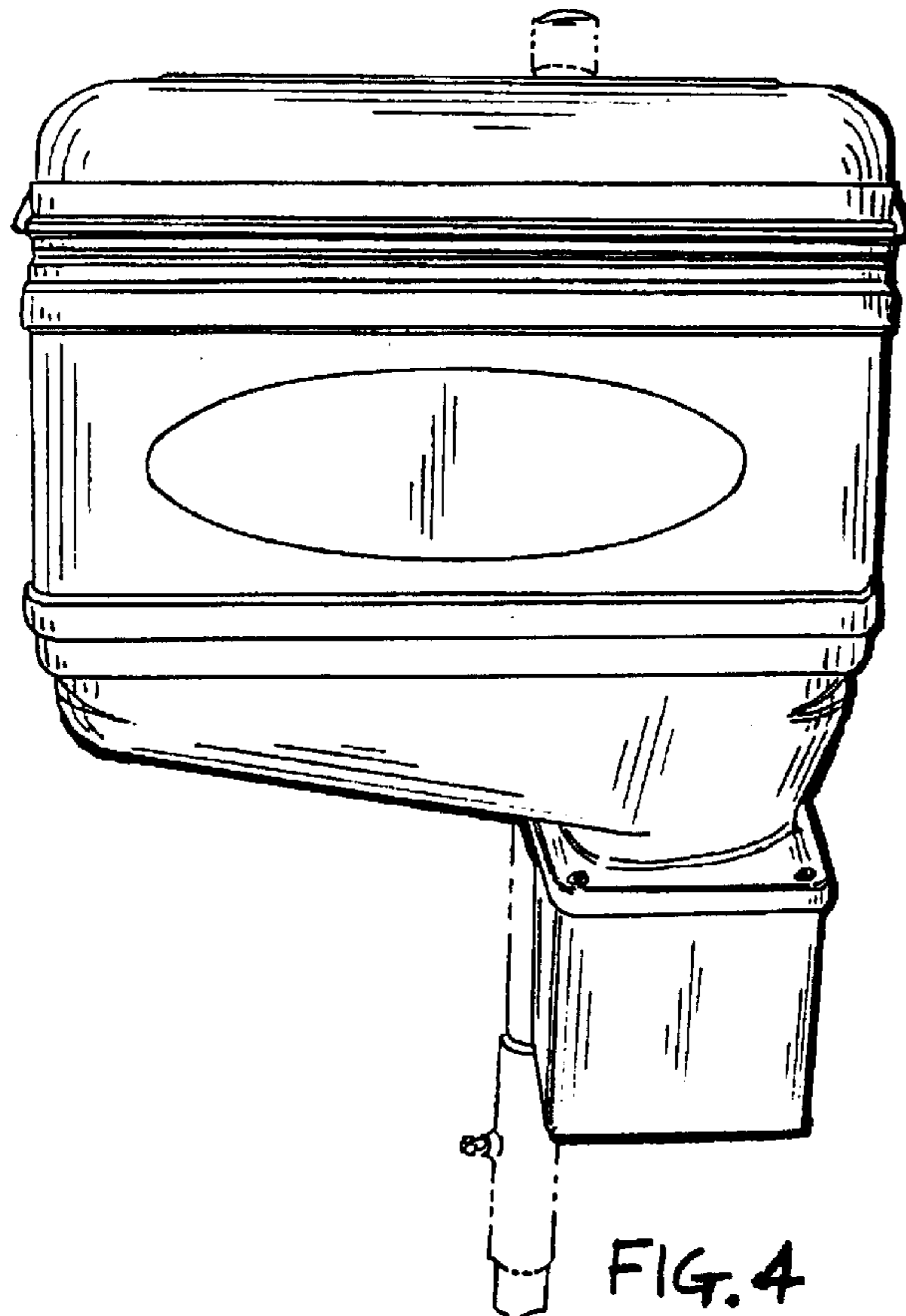


FIG. 4

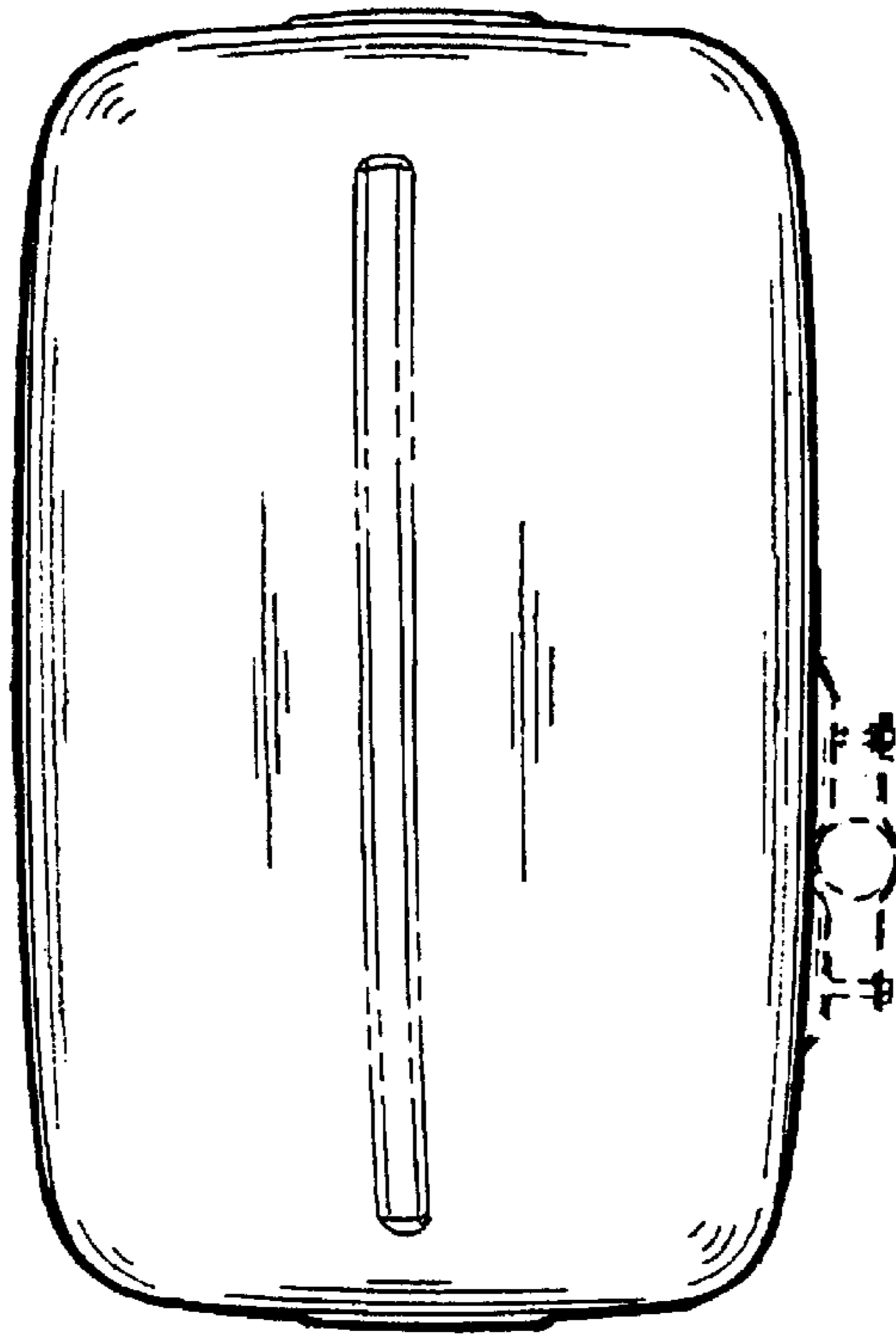


FIG. 5

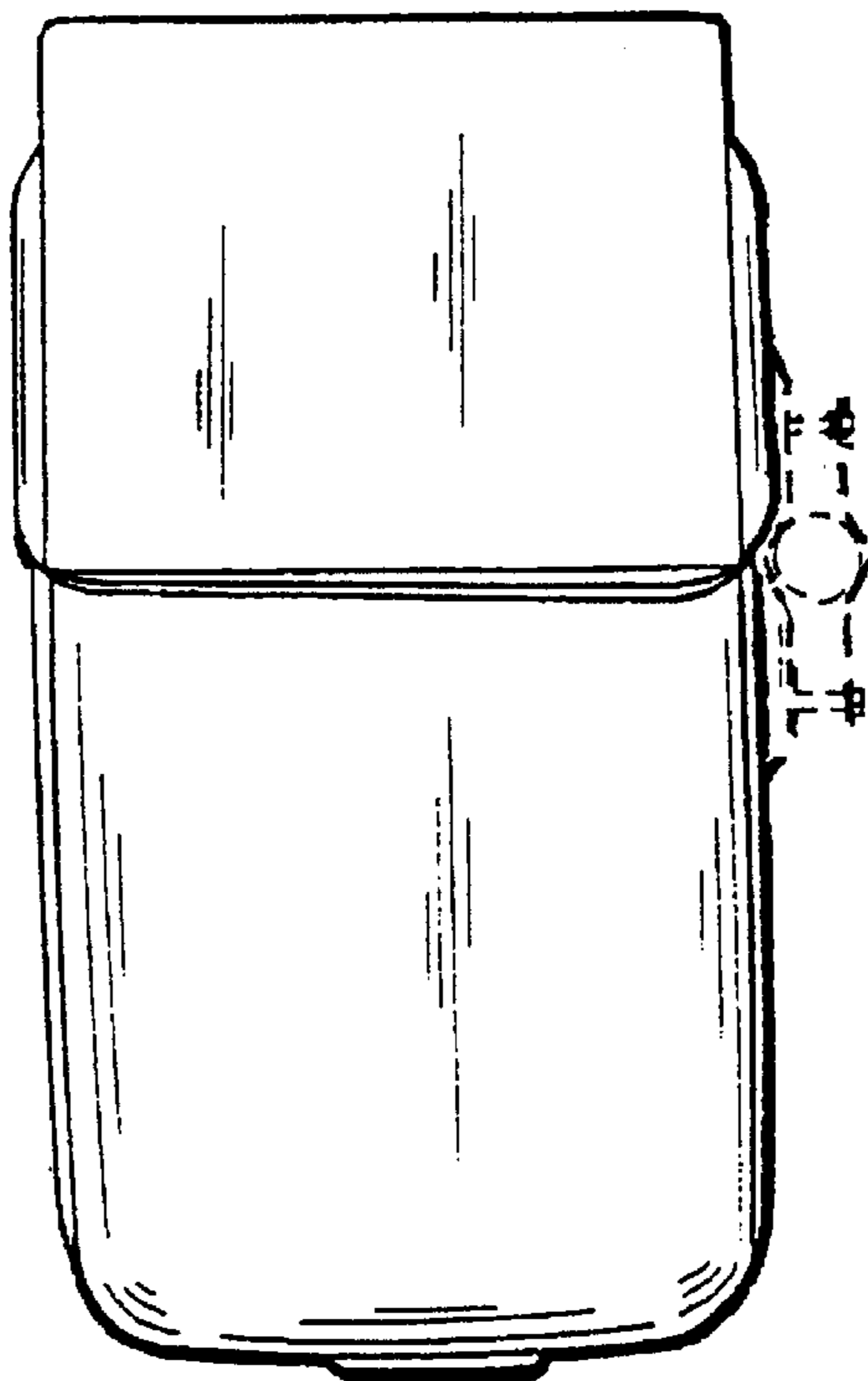


FIG. 6

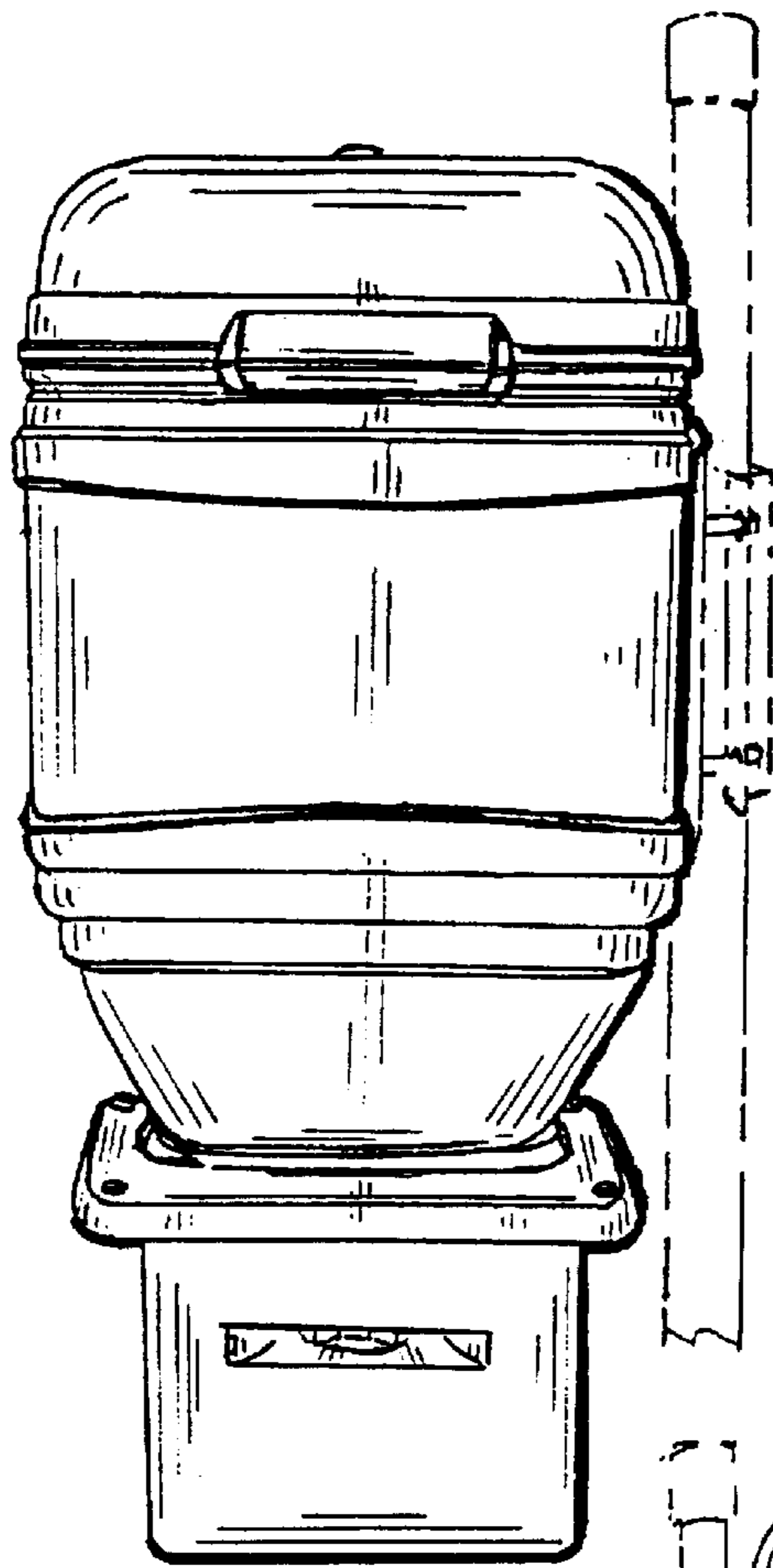


FIG. 7

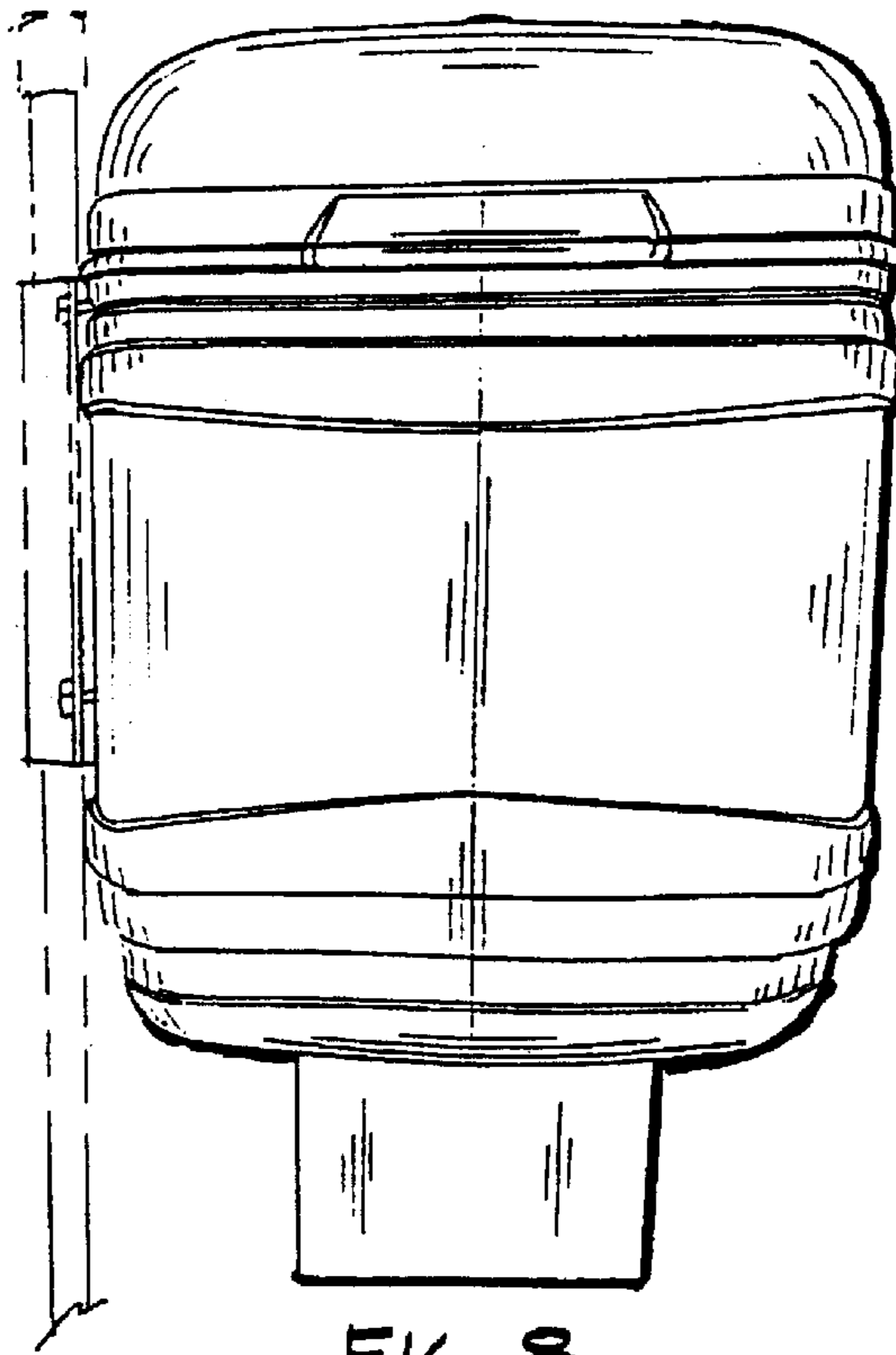


FIG. 8