



US00D518239S

(12) **United States Design Patent**
Martinez

(10) **Patent No.:** **US D518,239 S**

(45) **Date of Patent:** **** Mar. 28, 2006**

(54) **CONTAINER**

(75) Inventor: **Sabine Martinez**, New York, NY (US)

(73) Assignee: **L'Oreal USA Creative, Inc.**, New York, NY (US)

(**) Term: **14 Years**

(21) Appl. No.: **29/218,531**

(22) Filed: **Dec. 3, 2004**

(51) **LOC (8) Cl.** **28-03**

(52) **U.S. Cl.** **D28/76; D28/89; D9/504**

(58) **Field of Classification Search** D28/76,
D28/77, 85, 88, 89; D9/503, 504, 529; 132/216,
132/218

See application file for complete search history.

(56) **References Cited**

U.S. PATENT DOCUMENTS

D373,219 S * 8/1996 Gavin D28/76

D415,859 S * 10/1999 Gobe D28/76

D417,752 S * 12/1999 Bakic D28/85

D467,391 S * 12/2002 Orsomando D28/76

* cited by examiner

Primary Examiner—Jennifer Rivard

(74) *Attorney, Agent, or Firm*—Baker Botts L.L.P.

(57) **CLAIM**

The ornamental design for the container, as shown and described.

DESCRIPTION

FIG. 1 is a three-dimensional perspective view of the container;

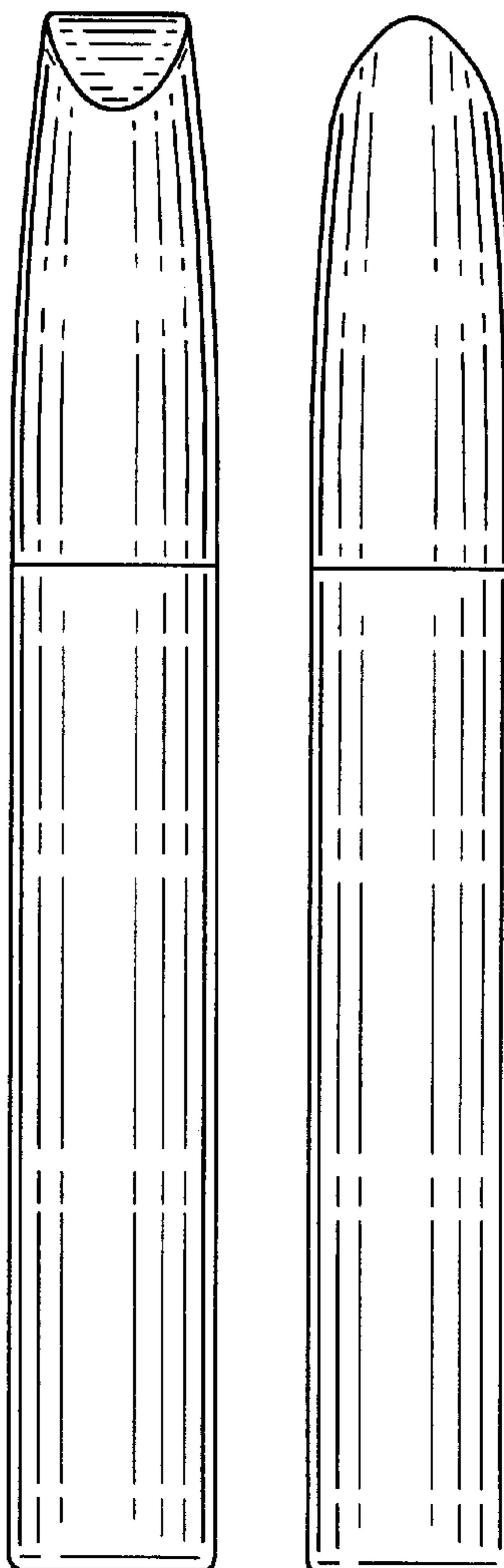
FIG. 2 is a front view of the container;

FIG. 3 is a side view of the container;

FIG. 4 is a top view of the container; and,

FIG. 5 is a bottom view of the container.

1 Claim, 1 Drawing Sheet



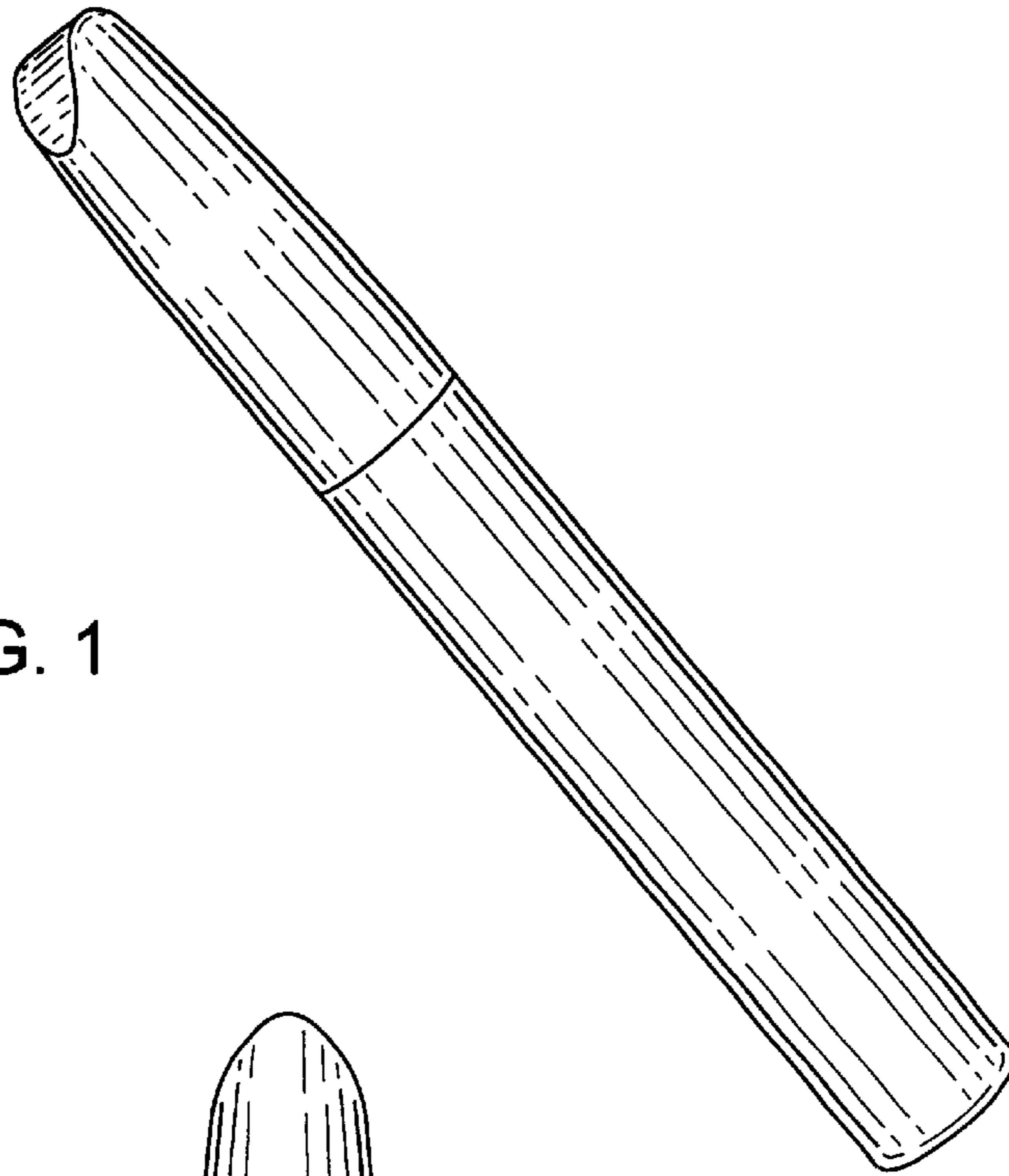


FIG. 1

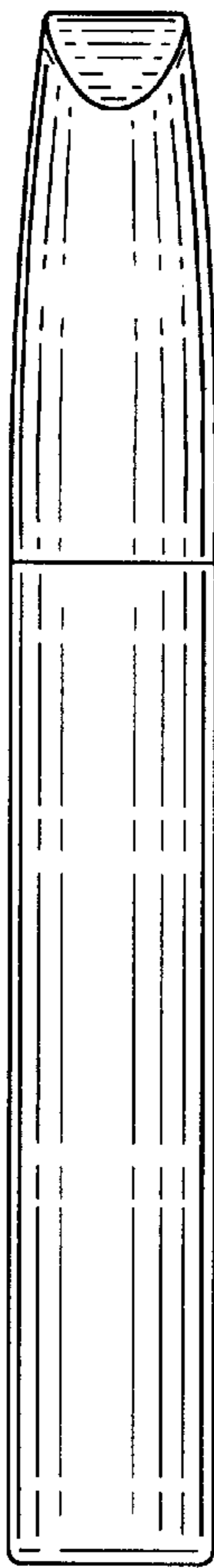


FIG. 2

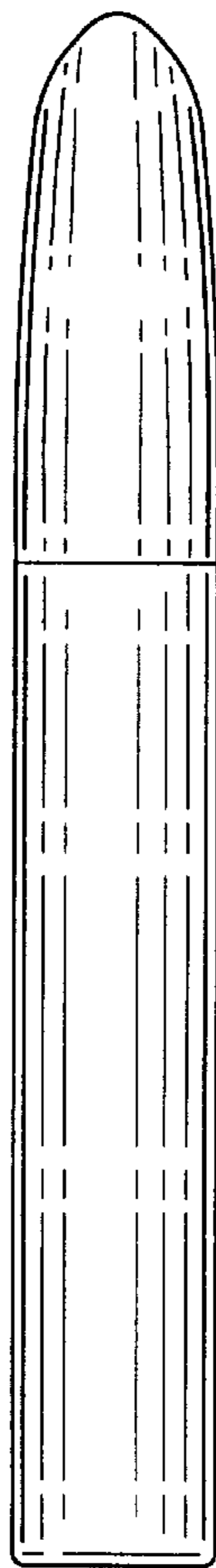


FIG. 3

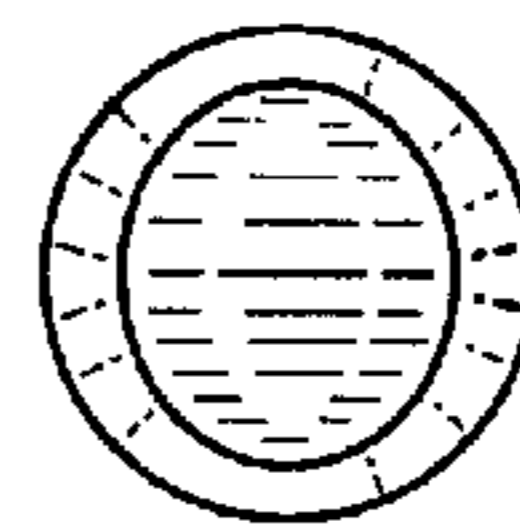


FIG. 4

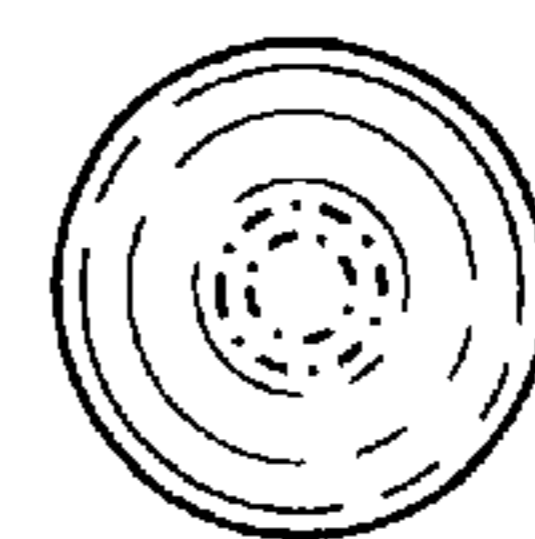


FIG. 5