



US00D518238S

(12) **United States Design Patent**
Chen

(10) **Patent No.:** **US D518,238 S**

(45) **Date of Patent:** **** Mar. 28, 2006**

(54) **COSMETIC CONTAINER**

4,815,608 A * 3/1989 Silberberg 132/295
D459,552 S * 6/2002 Poon D28/85

(76) Inventor: **Jiaun Long Chen**, No. 35, Lane 155,
Gwo An St., An Nan Dist., Tainan City
(TW)

* cited by examiner

(**) Term: **14 Years**

Primary Examiner—Jennifer Rivard

(74) *Attorney, Agent, or Firm*—Pro-Techtor Int'l Services

(21) Appl. No.: **29/211,675**

(57) **CLAIM**

(22) Filed: **Aug. 18, 2004**

The ornamental design for a cosmetic container, as shown
and described.

(51) **LOC (8) Cl.** **28-03**

DESCRIPTION

(52) **U.S. Cl.** **D28/76; D28/82**

(58) **Field of Classification Search** D28/76,
D28/77, 78, 81, 82; 206/581, 823; 220/4.22,
220/4.23, 4.27; 132/293–307; D9/529, 503,
D9/504

FIG. 1 is a perspective view of a cosmetic container showing
my new design;

FIG. 2 is a front view of the design;

FIG. 3 is a rear view of the design;

FIG. 4 is a left side view of the design;

FIG. 5 is a right side view of the design;

FIG. 6 is a top view of the design;

FIG. 7 is a bottom view of the design; and,

FIG. 8 is a view showing the cosmetic container folded.

See application file for complete search history.

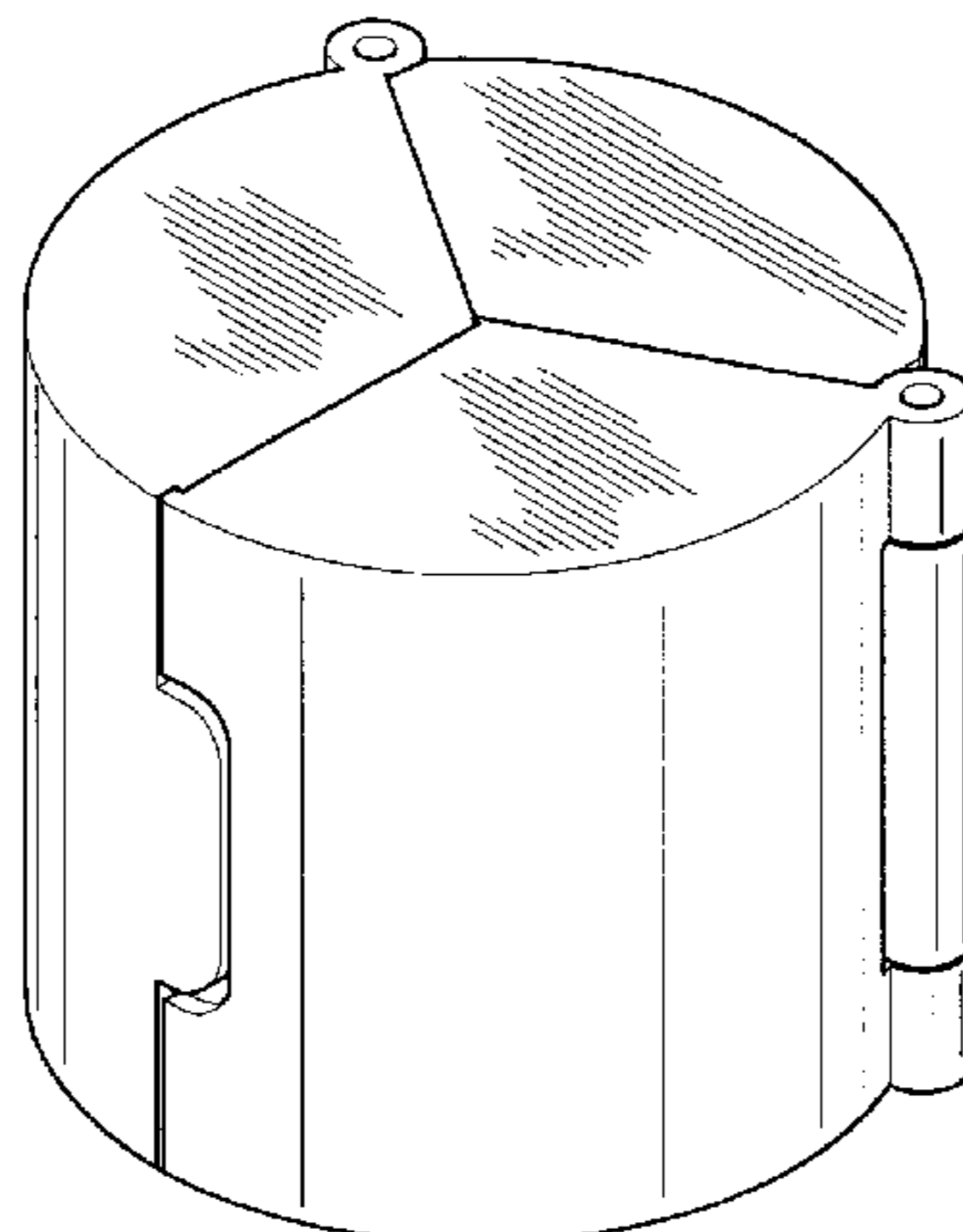
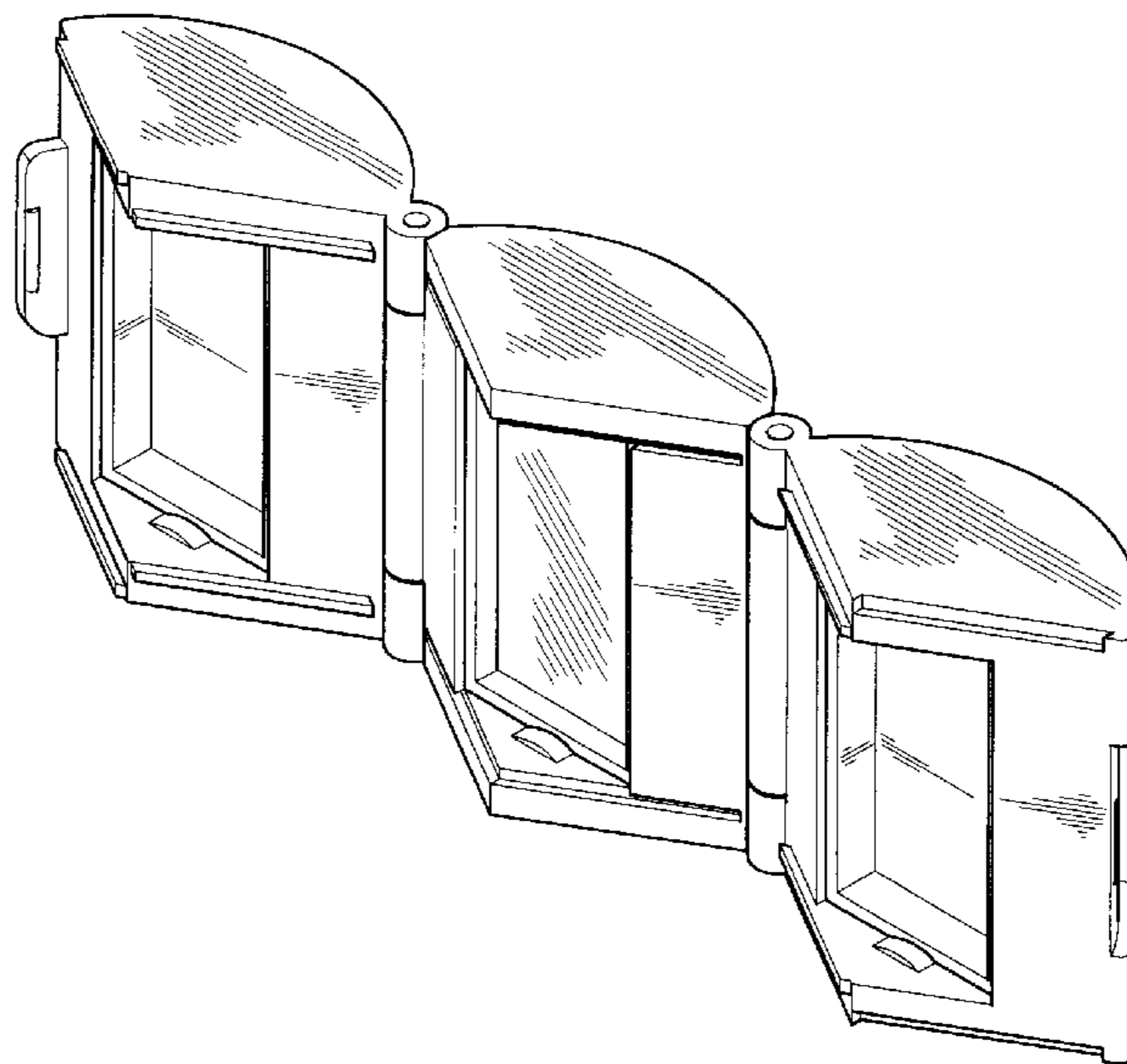
(56) **References Cited**

U.S. PATENT DOCUMENTS

2,726,004 A * 12/1955 McLeod 220/4.27

3,099,272 A * 7/1963 Paradis D28/76

1 Claim, 3 Drawing Sheets



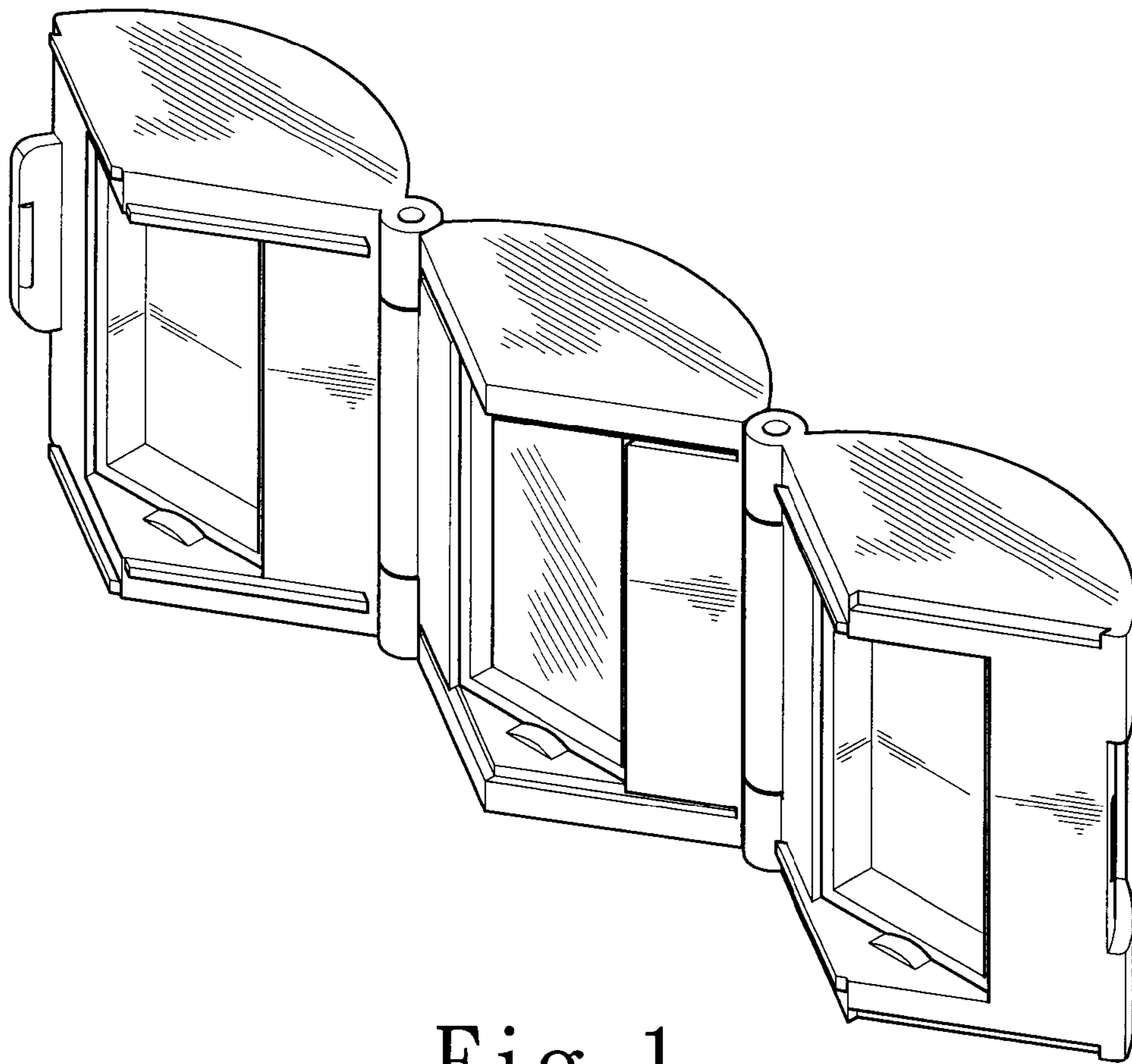


Fig. 1

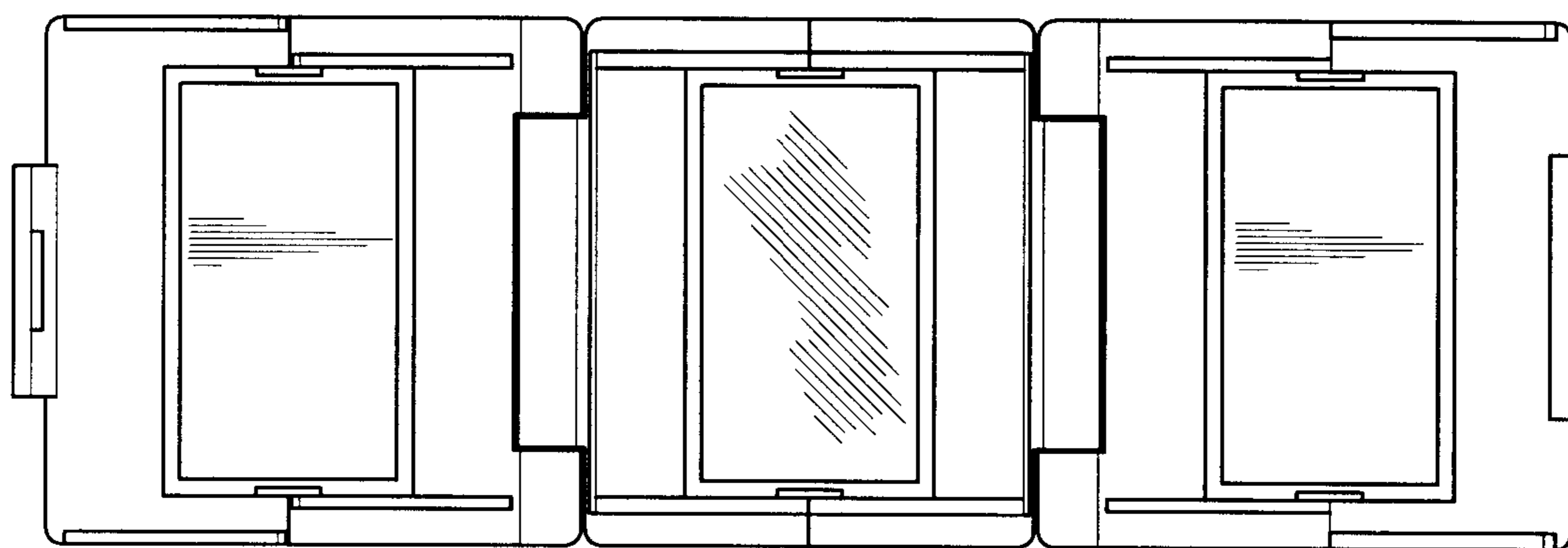


Fig. 2

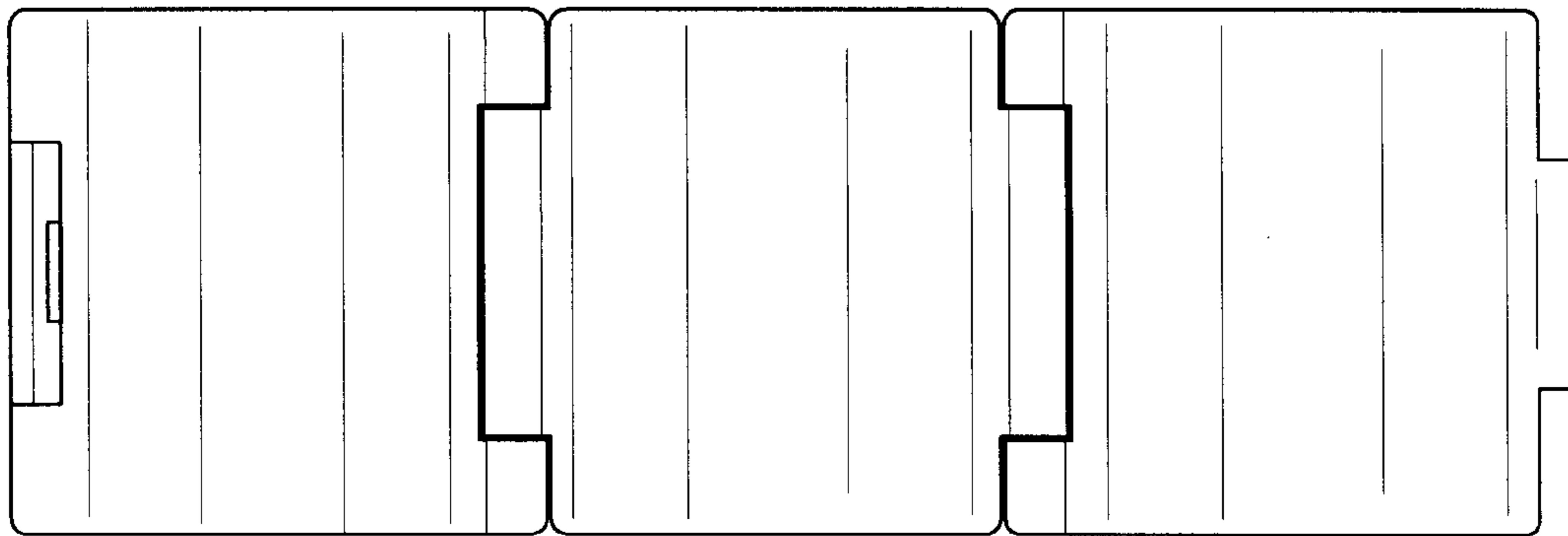


Fig. 3

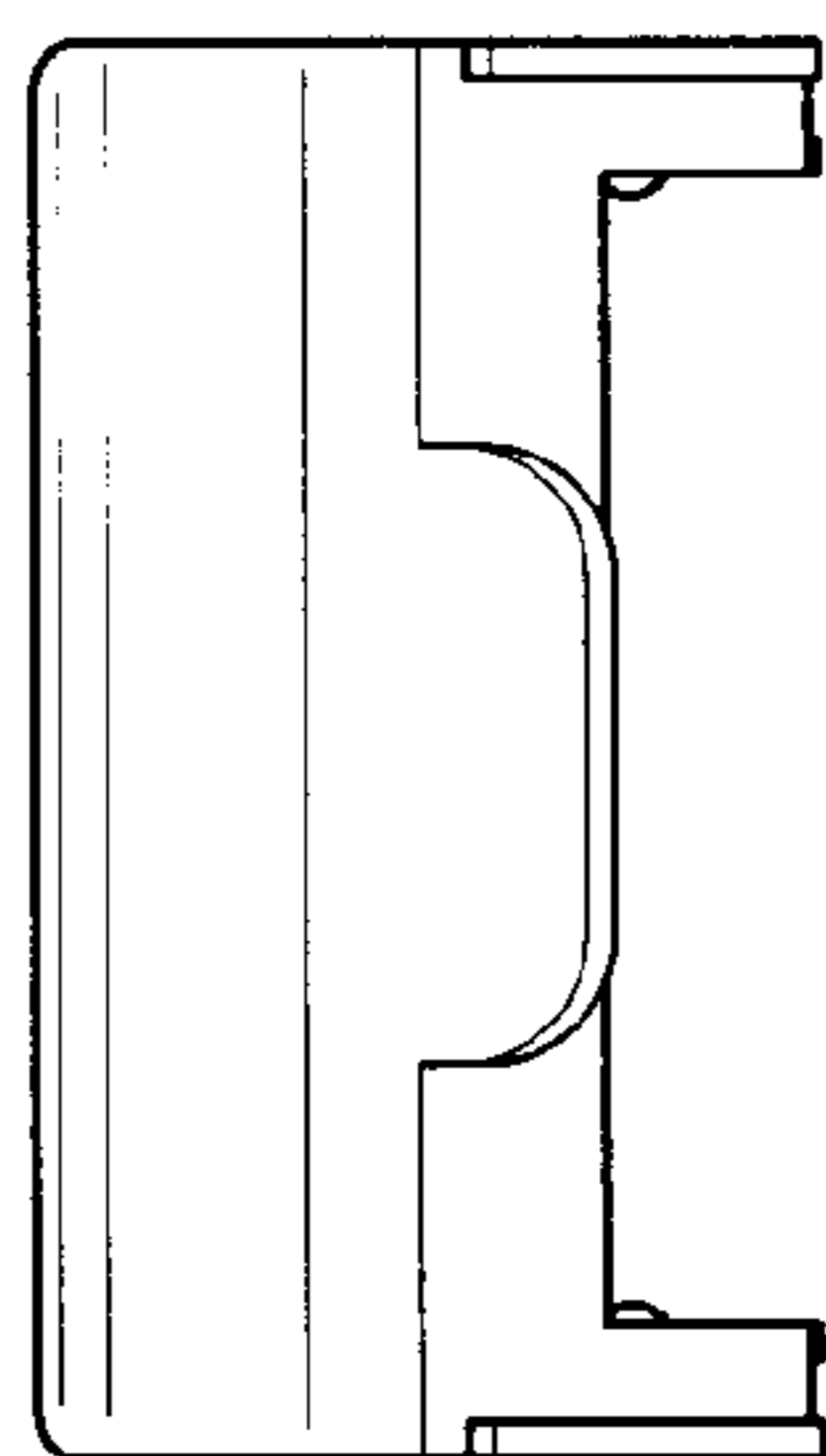


Fig. 4

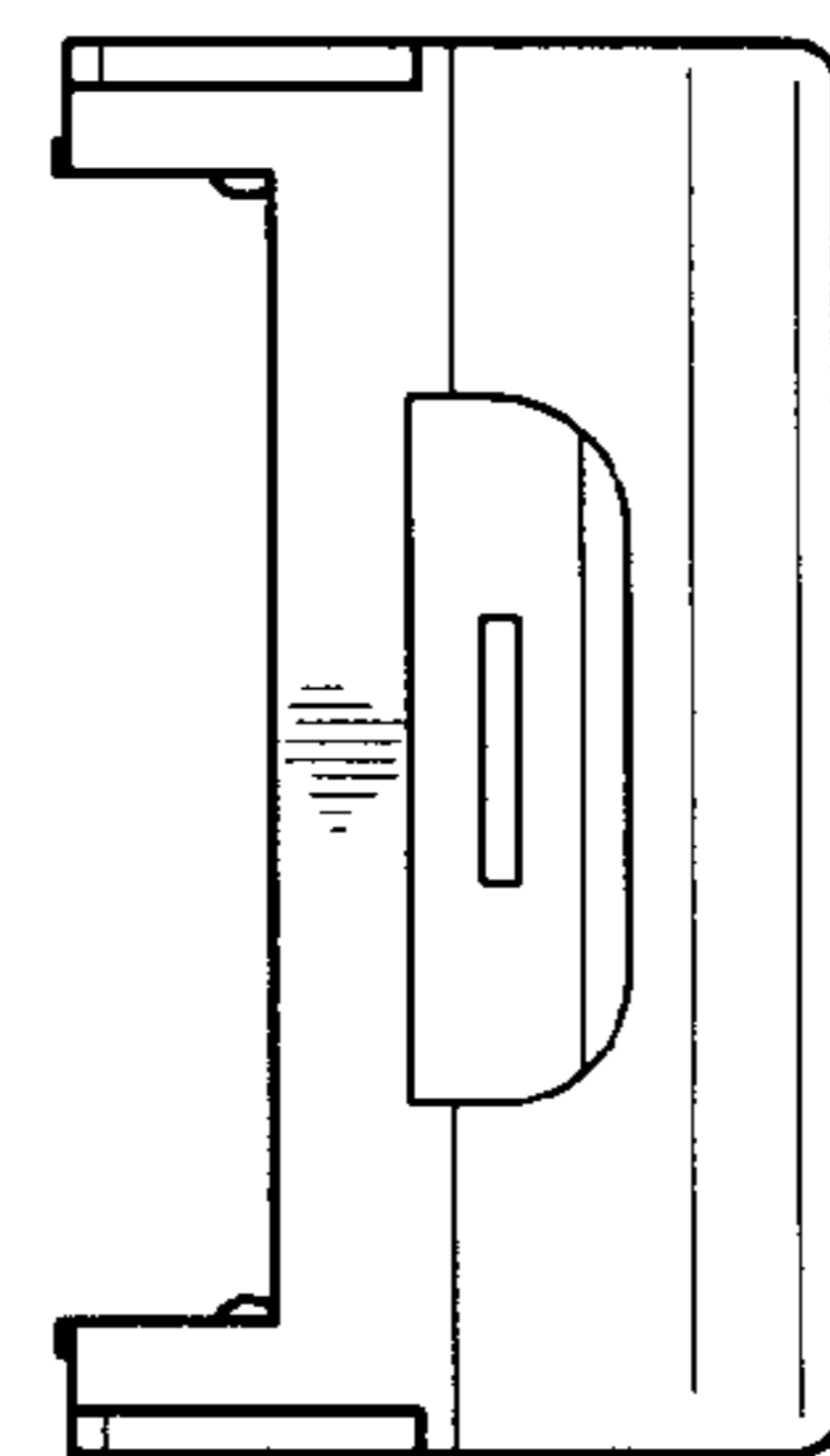


Fig. 5

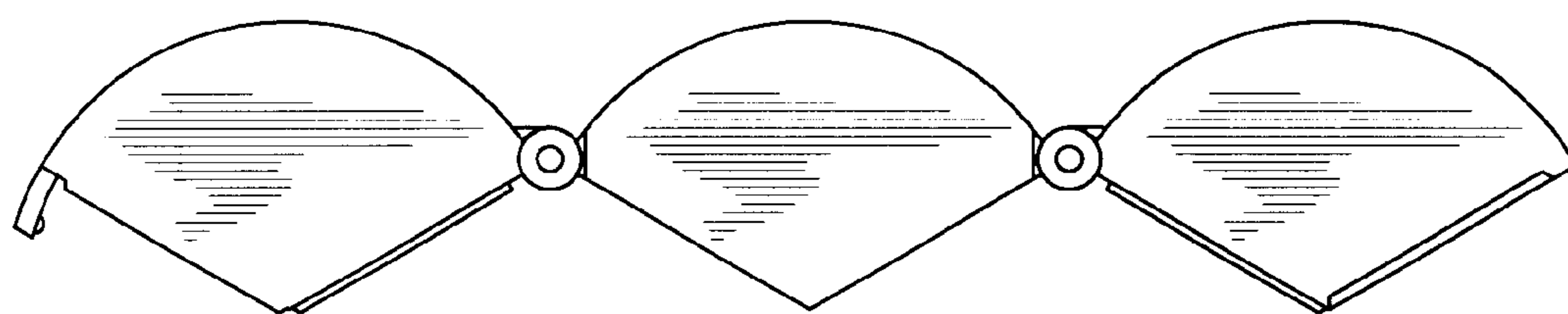


Fig. 6

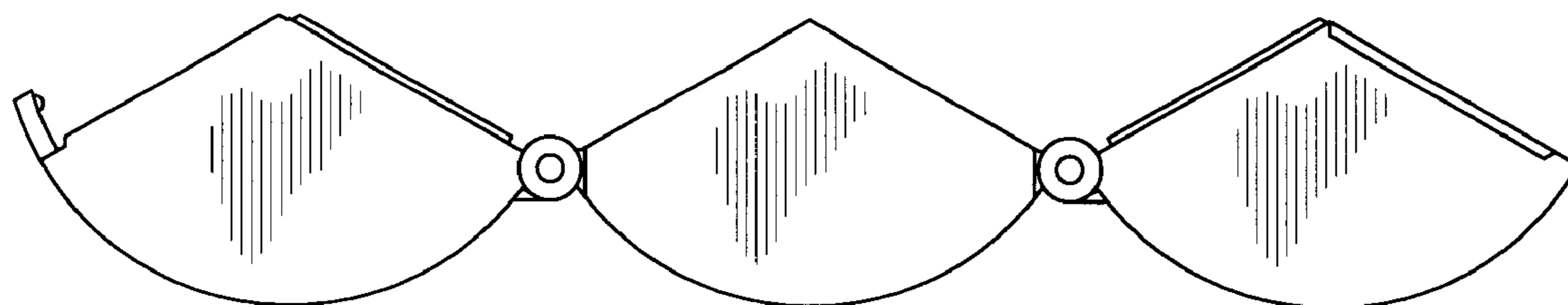


Fig. 7

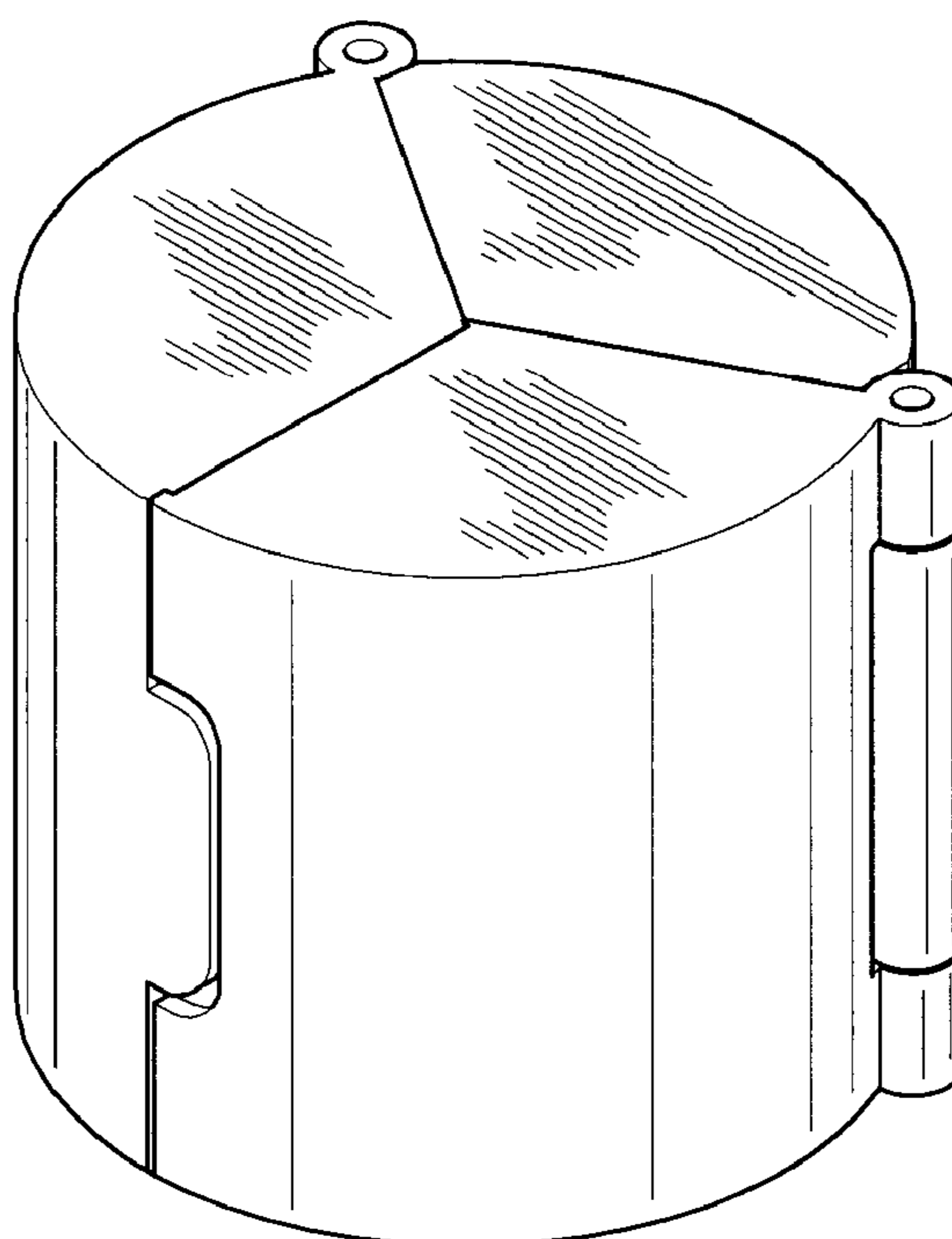


Fig. 8