



US00D518237S

(12) **United States Design Patent**
Yiu

(10) **Patent No.:** **US D518,237 S**
(45) **Date of Patent:** **** Mar. 28, 2006**

(54) **MULTIPLE BLADED SHEARING DEVICE**

(75) Inventor: **Wai-Wah Yiu**, Hong Kong (CN)

(73) Assignee: **K.I.S. Ltd.**, Grand Cayman (KY)

(**) Term: **14 Years**

(21) Appl. No.: **29/219,516**

(22) Filed: **Dec. 17, 2004**

(51) **LOC (8) Cl.** **28-03**

(52) **U.S. Cl.** **D28/54**

(58) **Field of Classification Search** D28/49-54;
30/32, 34.05, 34.1, 34.2, 35, 41.9, 43, 43.1-43.9,
30/43.91, 43.92, 42, 44-46, 527

See application file for complete search history.

(56) **References Cited**

U.S. PATENT DOCUMENTS

2,686,965	A *	8/1954	Limpan	30/29.5
4,867,157	A *	9/1989	McGurk-Burleson et al.	30/29.5
4,958,432	A *	9/1990	Marshall	30/29.5
5,012,576	A *	5/1991	Johannesson	30/29.5
5,884,401	A *	3/1999	Eckardt	30/44
6,272,752	B1 *	8/2001	Pino	30/29.5

* cited by examiner

Primary Examiner—Jennifer Rivard

(74) *Attorney, Agent, or Firm*—Jones Day

(57) **CLAIM**

The ornamental design for a multiple bladed shearing device, as shown and described.

DESCRIPTION

FIG. 1 is a perspective view of a multiple bladed shearing device;

FIG. 2 is a front elevation of the multiple bladed shearing device;

FIG. 3 is a rear elevation of the multiple bladed shearing device;

FIG. 4 is a left side elevation of the multiple bladed shearing device;

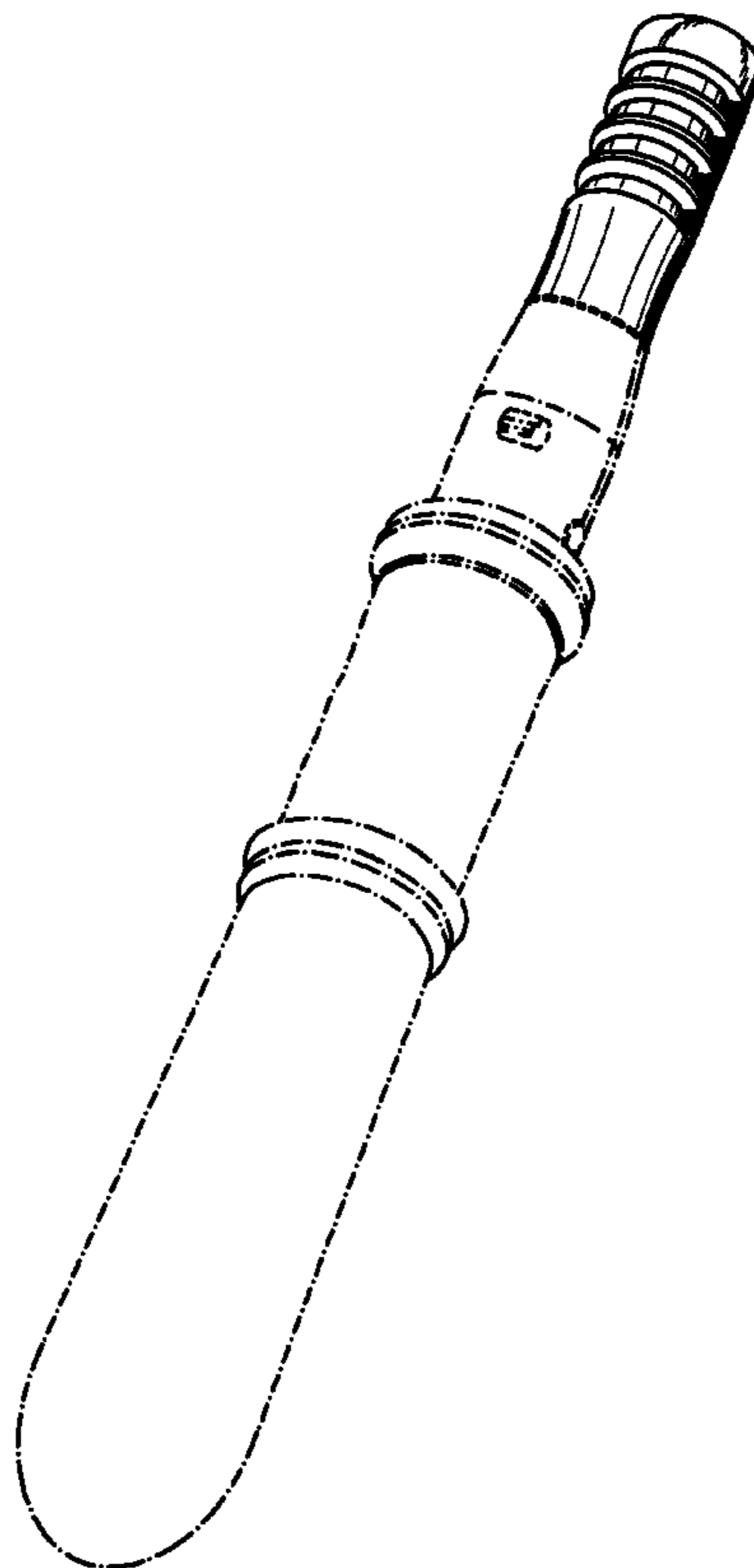
FIG. 5 is a right side elevation of the multiple bladed shearing device;

FIG. 6 is a top plan view of the multiple bladed shearing device; and,

FIG. 7 is a bottom plan view of the multiple bladed shearing device.

The broken lines immediately adjacent the shaded areas represent the bounds of the claim and all other broken lines are for illustrative purposes only. None of the broken lines form part of the claimed design.

1 Claim, 4 Drawing Sheets



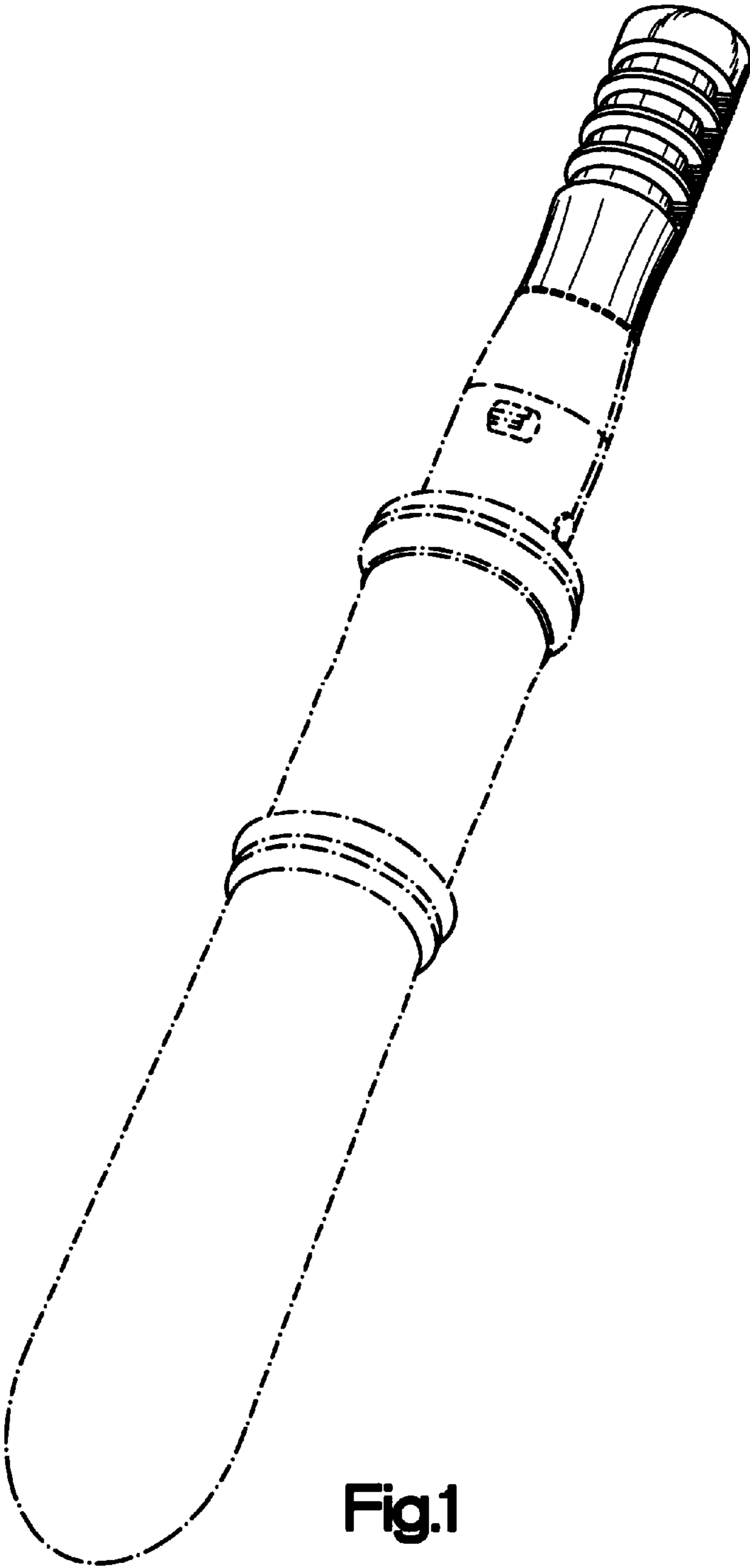


Fig.1

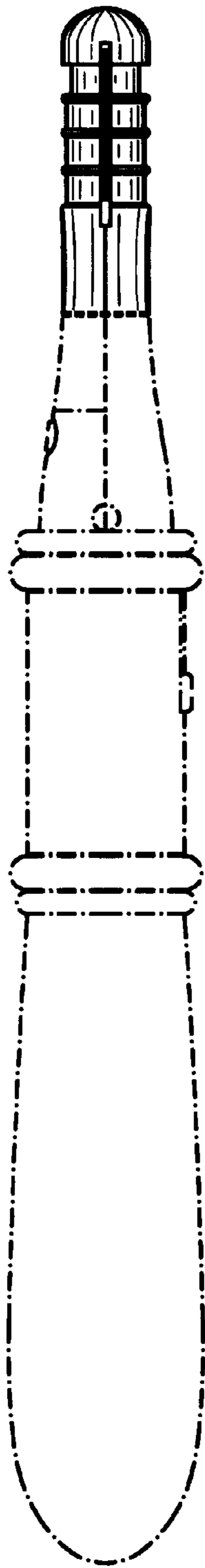


Fig.2

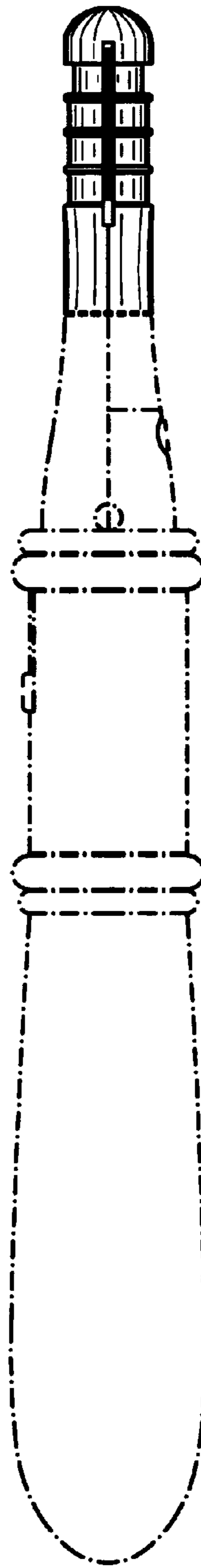


Fig.3

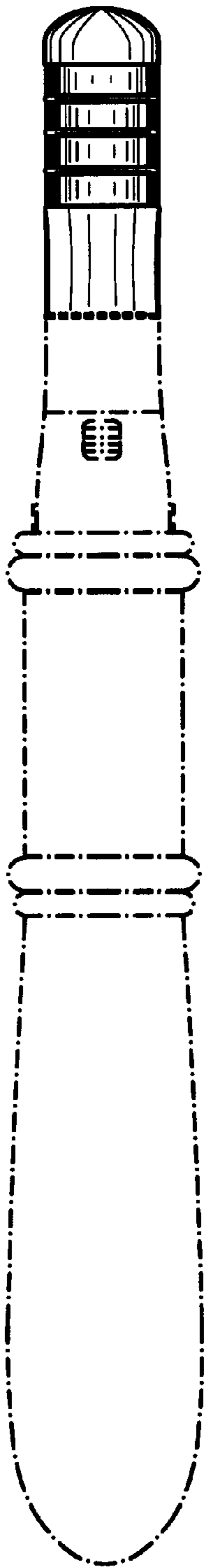


Fig.4

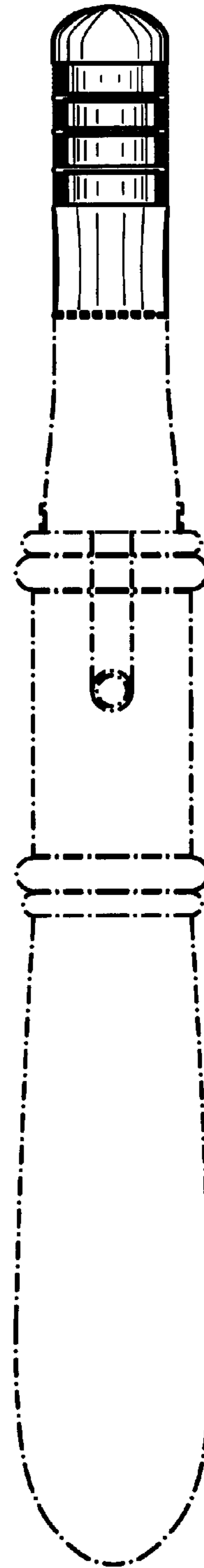


Fig.5

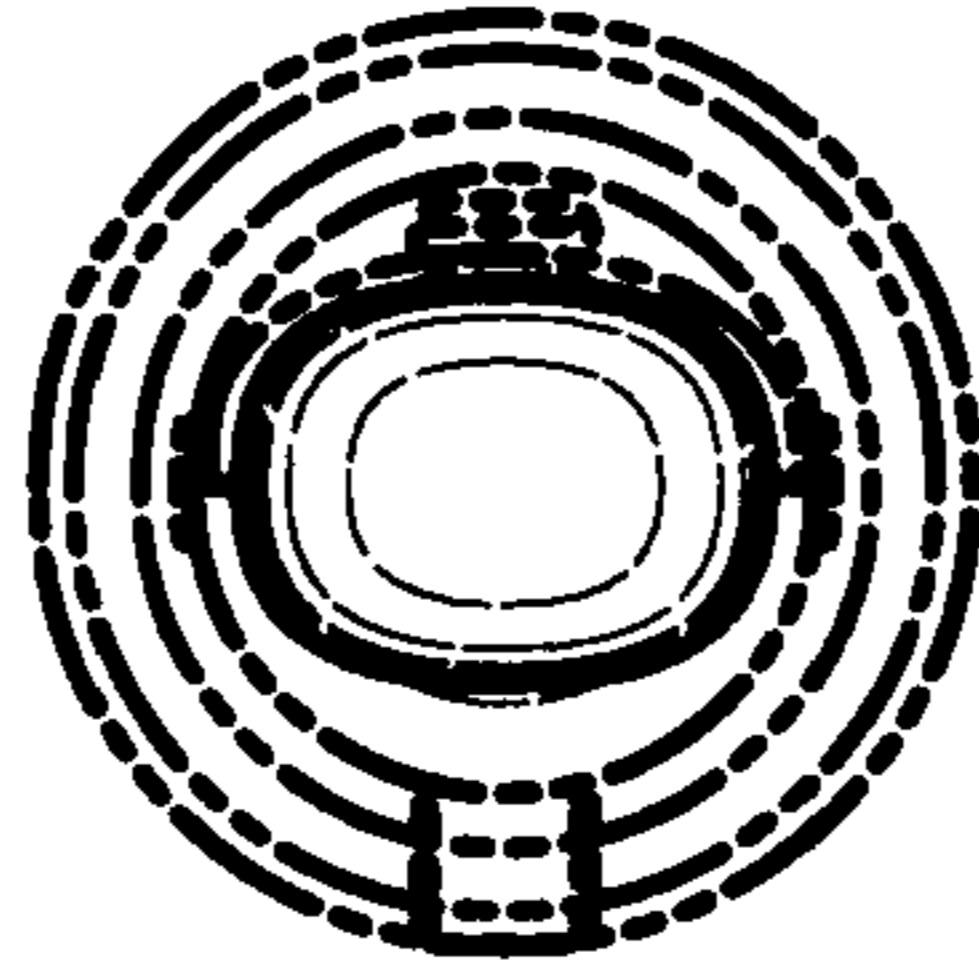


Fig. 6

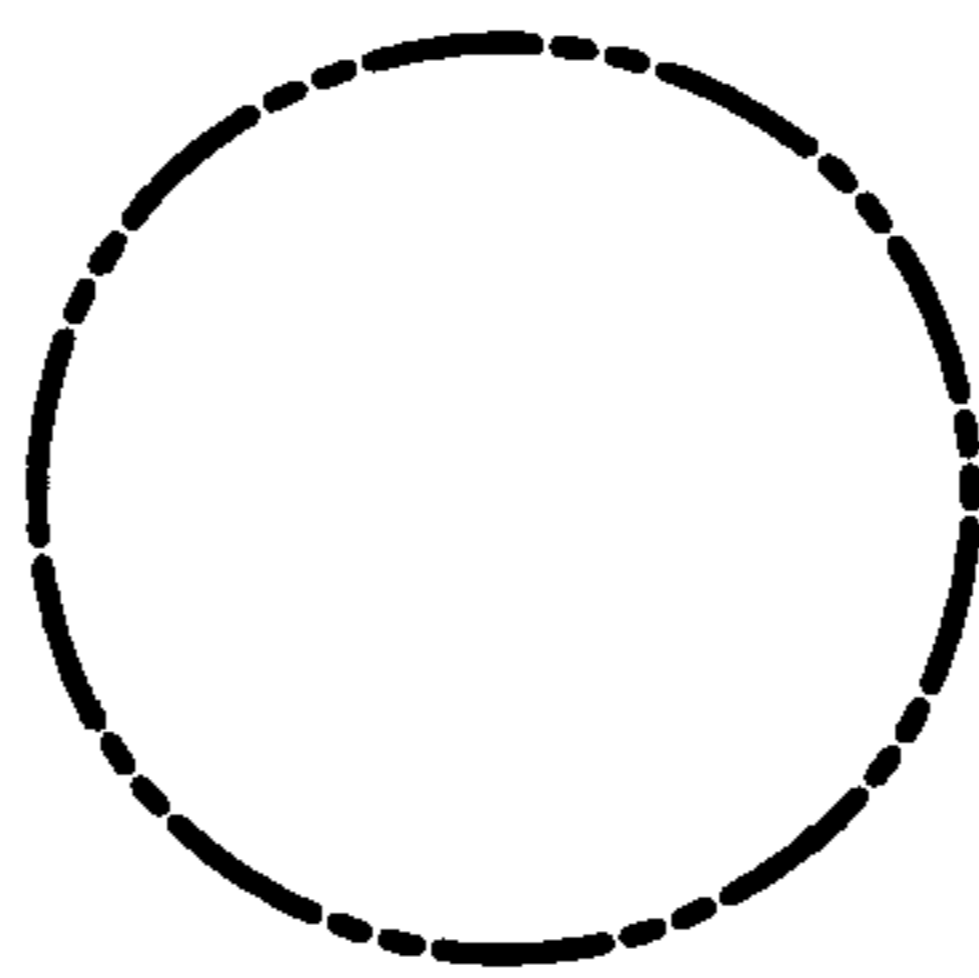


Fig. 7